



青海CMSH2-100M供应商
CMSH2-20M
CMSH2-40M
CMSH2-60M
CMSH2-100M

HIGH DENSITY
SCHOTTKY BARRIER RECTIFIER
2.0 AMP, 20 THRU 100 VOLTS

HIGH DENSITY
SCHOTTKY



SMA CASE

捷多邦, 专业PCB打样工厂, 24小时加急出货
Central
Semiconductor Corp.

FEATURES:

- HIGH CURRENT CAPABILITY
- FLAMMABILITY CLASSIFICATION UL94V-0
- HIGH DENSITY, SUPER MINI DEVICE
- SUPERIOR LOT TO LOT CONSISTENCY
- LOW COST
- "C" BEND CONSTRUCTION PROVIDES STRAIN RELIEF WHEN MOUNTED ON PC BOARD
- HIGH RELIABILITY

DESCRIPTION:

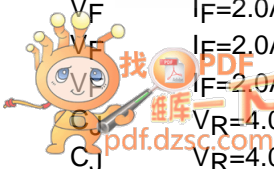
The CENTRAL SEMICONDUCTOR 2.0 Amp Surface Mount Silicon Schottky Rectifier is a high quality, well constructed, highly reliable component designed for use in all types of commercial, industrial, entertainment, computer, and automotive applications. To order devices on 12mm Tape and Reel (5000/13" Reel), add TR13 suffix to part number.

MAXIMUM RATINGS: (T_A=25°C unless otherwise noted)

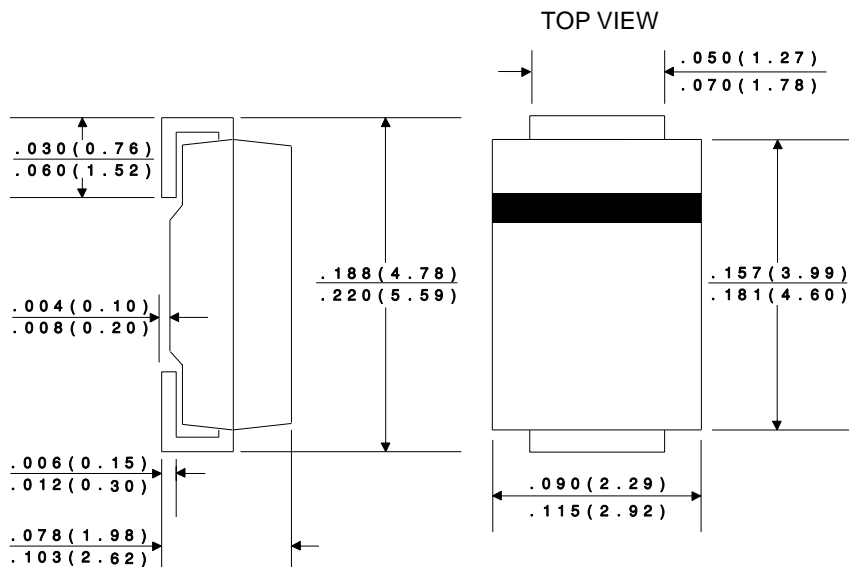
| | SYMBOL | CMSH2 -20M | CMSH2 -40M | CMSH2 -60M | CMSH2 -100M | UNITS |
|---|-----------------------------------|---------------|---------------|---------------|----------------|-------|
| Peak Repetitive Reverse Voltage | V _{RRM} | 20 | 40 | 60 | 100 | V |
| DC Blocking Voltage | V _R | 20 | 40 | 60 | 100 | V |
| RMS Reverse Voltage | V _{R(RMS)} | 14 | 28 | 42 | 71 | V |
| Average Forward Current (T _L =75° C) | I _O | | | 2.0 | | A |
| Peak Forward Surge Current (8.3ms) | I _{FSM} | | | 50 | | A |
| Operating and Storage | | | | | | |
| Junction Temperature | T _J , T _{stg} | | -65 to +150 | | | °C |
| Thermal Resistance | θ _{JL} | | 30 | | | °C/W |

ELECTRICAL CHARACTERISTICS: (T_A=25°C unless otherwise noted)

| SYMBOL | TEST CONDITIONS | MIN | TYP | MAX | UNITS |
|----------------|--|-----|-----|------|-------|
| I _R | V _R =Rated V _{RRM} | | | 0.50 | mA |
| I _R | V _R =Rated V _{RRM} , T _A =100°C | | | 20 | mA |
| V _F | I _F =2.0A (CMSH2-20M AND CMSH2-40M) | | | 0.55 | V |
| V _F | I _F =2.0A (CMSH2-60M) | | | 0.70 | V |
| V _F | I _F =2.0A (CMSH2-100M) | | | 0.85 | V |
| C _J | V _R =4.0V, f=1.0MHz, (CMSH2-20M AND CMSH2-40M) | | 150 | | pF |
| C _J | V _R =4.0V, f=1.0MHz, (CMSH2-60M AND CMSH2-100M) | | 120 | | pF |



All Dimensions in Inches (mm).



Marking Codes:

| DEVICE | MARKING CODE |
|------------|--------------|
| CMSH2-20M | CS220M |
| CMSH2-40M | CS240M |
| CMSH2-60M | CS260M |
| CMSH2-100M | CS2100M |