


[查询CMSH3-100M供应商](#)
NEW
CMSH3-20M
CMSH3-40M
CMSH3-60M
CMSH3-100M
HIGH DENSITY
SCHOTTKY BARRIER RECTIFIER
3.0 AMP, 20 THRU 100 VOLTS

HIGH DENSITY
SCHOTTKY

SMB CASE

[捷多邦, 专业PCB打样工厂, 24小时加急出货](#)
Central
Semiconductor Corp.

FEATURES:

- HIGH CURRENT CAPABILITY
- FLAMMABILITY CLASSIFICATION UL94V-0
- HIGH DENSITY, SUPER MINI DEVICE
- SUPERIOR LOT TO LOT CONSISTENCY
- LOW COST
- "C" BEND CONSTRUCTION PROVIDES STRAIN RELIEF WHEN MOUNTED ON PC BOARD
- HIGH RELIABILITY

DESCRIPTION:

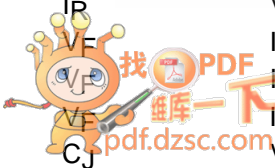
The CENTRAL SEMICONDUCTOR 3.0 Amp Surface Mount Silicon Schottky Rectifier is a high quality, well constructed, highly reliable component designed for use in all types of commercial, industrial, entertainment, computer, and automotive applications. To order devices on 12mm Tape and Reel (3000/13" Reel), add TR13 suffix to part number.

MAXIMUM RATINGS: (T_A=25°C unless otherwise noted)

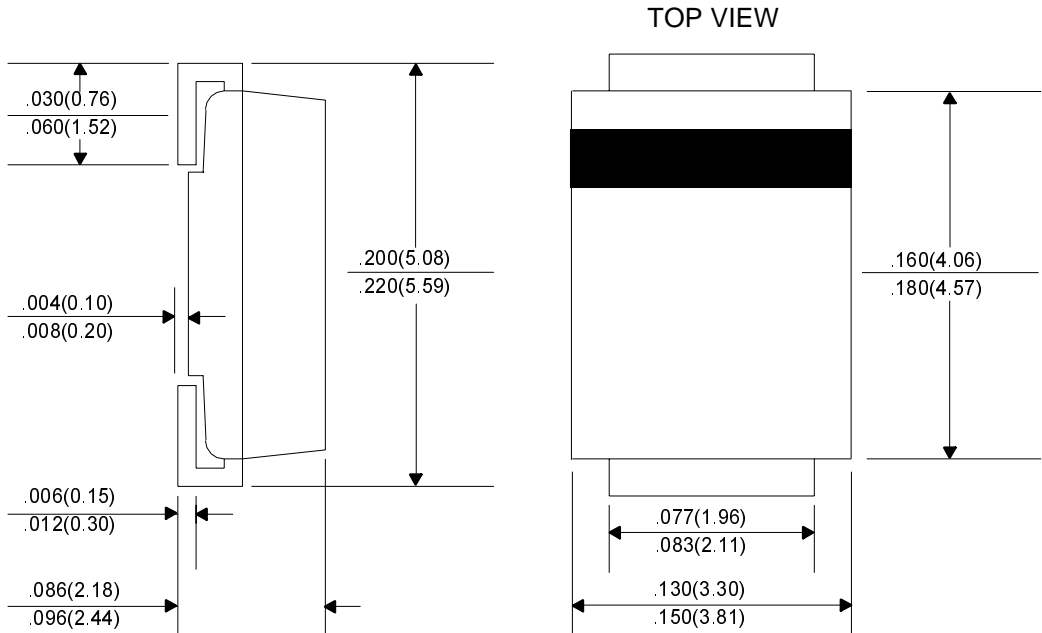
CMSH3	SYMBOL	CMSH3	CMSH3	CMSH3	UNITS	
		-20M	-40M	-60M		-100M
Peak Repetitive Reverse Voltage	V _{RRM}	20	40	60	100	V
DC Blocking Voltage	V _R	20	40	60	100	V
RMS Reverse Voltage	V _{R(RMS)}	14	28	42	71	V
Average Forward Current (T _L =75°C)	I _O			3.0		A
Peak Forward Surge Current (8.3ms)	I _{FSM}			80		A
Operating and Storage Junction Temperature	T _J , T _{stg}		-65 to +150			°C
Thermal Resistance	Θ _{JL}		20			°C/W

ELECTRICAL CHARACTERISTICS: (T_A=25°C unless otherwise noted)

SYMBOL	TEST CONDITIONS	MIN	TYP	MAX	UNITS
I _R	V _R =Rated V _{RRM}			500	μA
I _R	V _R =Rated V _{RRM} , T _A =100°C			20	mA
V _F	I _F =3.0A (CMSH3-20M AND CMSH3-40M)			0.55	V
V _F	I _F =3.0A (CMSH3-60M)			0.75	V
V _F	I _F =3.0A (CMSH3-100M)			0.85	V
C _J	V _R =4.0V, f=1.0MHz		280		pF



All Dimensions in Inches (mm).



Marking Codes:

DEVICE	MARKING CODE
CMSH3-20M	CS320M
CMSH3-40M	CS340M
CMSH3-60M	CS360M
CMSH3-100M	CS3100M