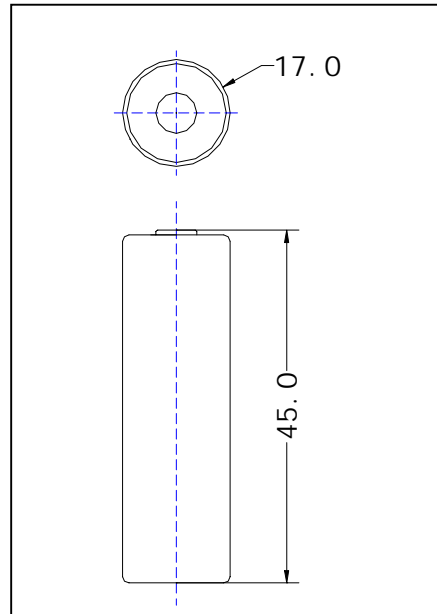


## Manganese Dioxide Lithium Battery(Li/MnO<sub>2</sub>)

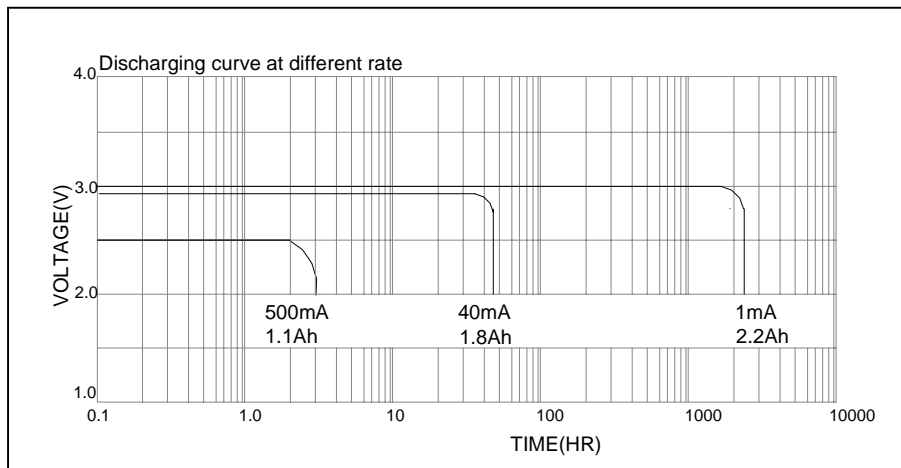
MODEL: CR17450

Nominal capacity (10mA to 2.0V)	2200 mAh
Nominal voltage	3.0 V
Max. Continuous operating current	1000 mA
Max. pulse current	1500 mA
Battery weight	25 g
Battery Dimension mm	$\phi 17.0^{\pm 0.2} \times 45.0^{-0.2}$
operating temperature	-40°C~+60°C



Notes: All dimensions are in mm.  
Tolerance is  $\pm 0.3$ mm.

### Characteristics



### Warning:

- .Do not short-circuit;
- .Do not recharge, force over-discharge, assemble / disassemble and crush; risk of fire and burns;
- .Do not use under temperature above specified range