



CSD10060

ZERO RECOVERY™ RECTIFIER

Features

- 600 Volt Schottky Rectifier
- Zero Reverse Recovery
- Zero Forward Recovery
- High Frequency Operation
- Temperature Independent Switching Behavior
- Extremely Fast Switching
- Positive Temperature Coefficient on V_F

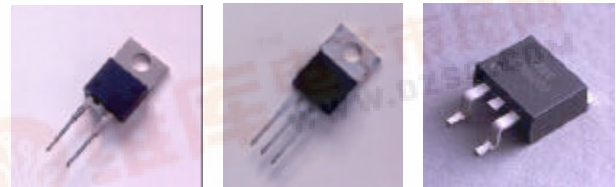
Benefits

- Replace Bipolar with Unipolar Rectifiers
- Essentially No Switching Losses
- Higher Efficiency
- Reduction Of Rectifier Heat Sink
- Parallel Devices without Thermal Runaway

Applications

- Switch Mode Power Supplies
- Power Factor Correction
- Motor Control

Package



Maximum Ratings

Parameter	Symbol	Value	Unit
Repetitive Peak Reverse Voltage	V_{RRM}	600	V
Surge Peak Reverse Voltage	V_{RSM}	600	V
DC Blocking Voltage	V_{DC}	600	V
Average Forward Current $T_C=150^\circ\text{C}$	$I_{F(AV)}$	10	A
Repetitive Peak Forward Surge Current $T_C=25^\circ\text{C}$, $t_p=8.3\text{ms}$, Half Sine Wave	I_{FRM}	50	A
Non-Repetitive Peak Forward Surge Current $T_C=25^\circ\text{C}$, $t_p=10\mu\text{s}$, Pulse	I_{FSM}	250	A
Power Dissipation $T_C = 25^\circ\text{C}$	P_{tot}	136.3	W
Operating Junction and Storage Temperature	T_J, T_{stg}	-55 to +175	$^\circ\text{C}$



ELECTRICAL CHARACTERISTICS

Parameter	Symbol	Min	Typ	Max	Units
Forward Voltage $I_F = 10A$ $T_J = 25^\circ C$ $I_F = 10A$ $T_J = 175^\circ C$	V_F		1.6 2.0	1.8 2.4	V
Reverse Current $V_R = 600V$ $T_J = 25^\circ C$ $V_R = 600V$ $T_J = 175^\circ C$	I_R		50 100	200 1000	μA
Total Capacitive Charge $V_R = 600V, I_F = 10A, di/dt = 500 A/\mu s, T_J = 25^\circ C$	Q_C		28		nC
Total Capacitance $V_R = 0V, T_J = 25^\circ C, f = 1MHz$ $V_R = 200V, T_J = 25^\circ C, f = 1MHz$ $V_R = 400V, T_J = 25^\circ C, f = 1MHz$	C		550 65 50		pF

NOTE:

1. This is a majority carrier diode, so there is no reverse recovery charge.

THERMAL CHARACTERISTICS

Characteristic	Symbol	Min	Typ	Max	Units
Thermal Resistance from Junction to Case	$R_{\theta JC}$		1.1		$^\circ C/W$

Typical Performance

Figure 1. Forward Characteristics

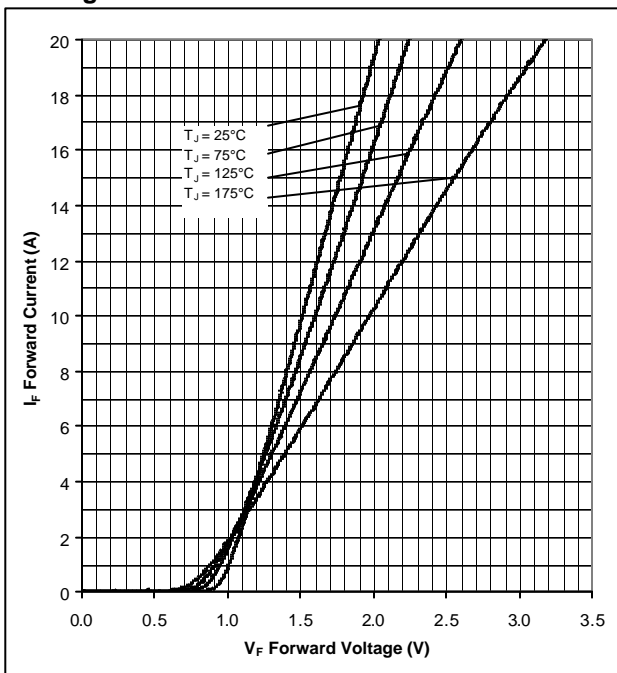


Figure 2. Reverse Characteristics

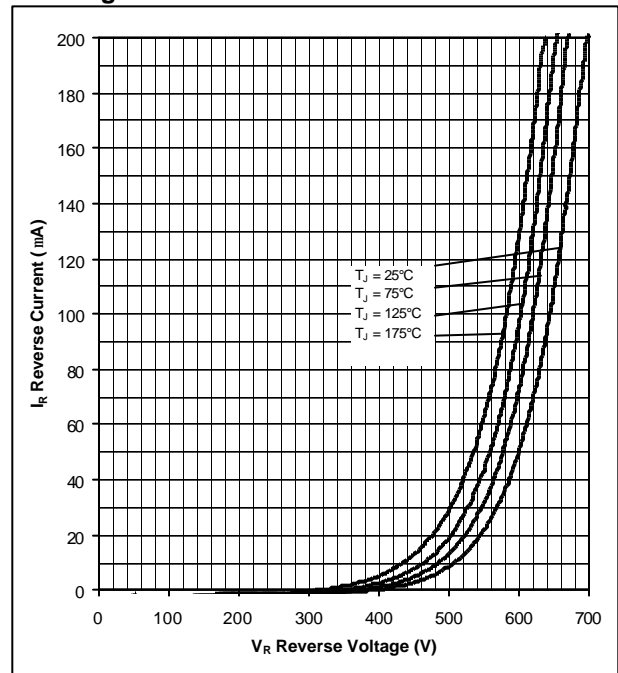


Figure 3. Current Derating

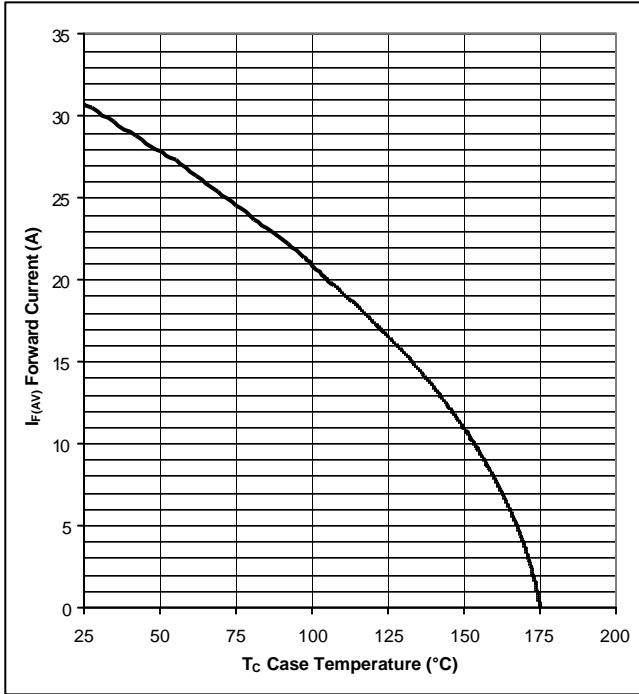


Figure 4. Capacitance vs. Reverse Voltage

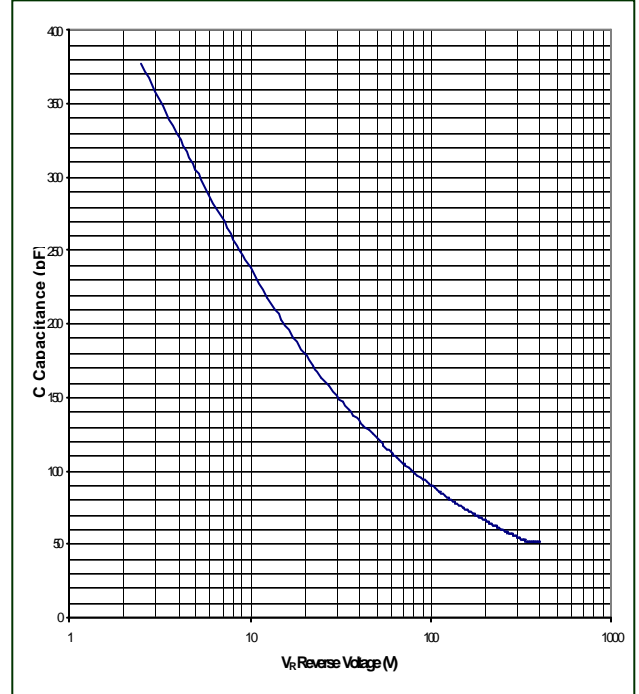
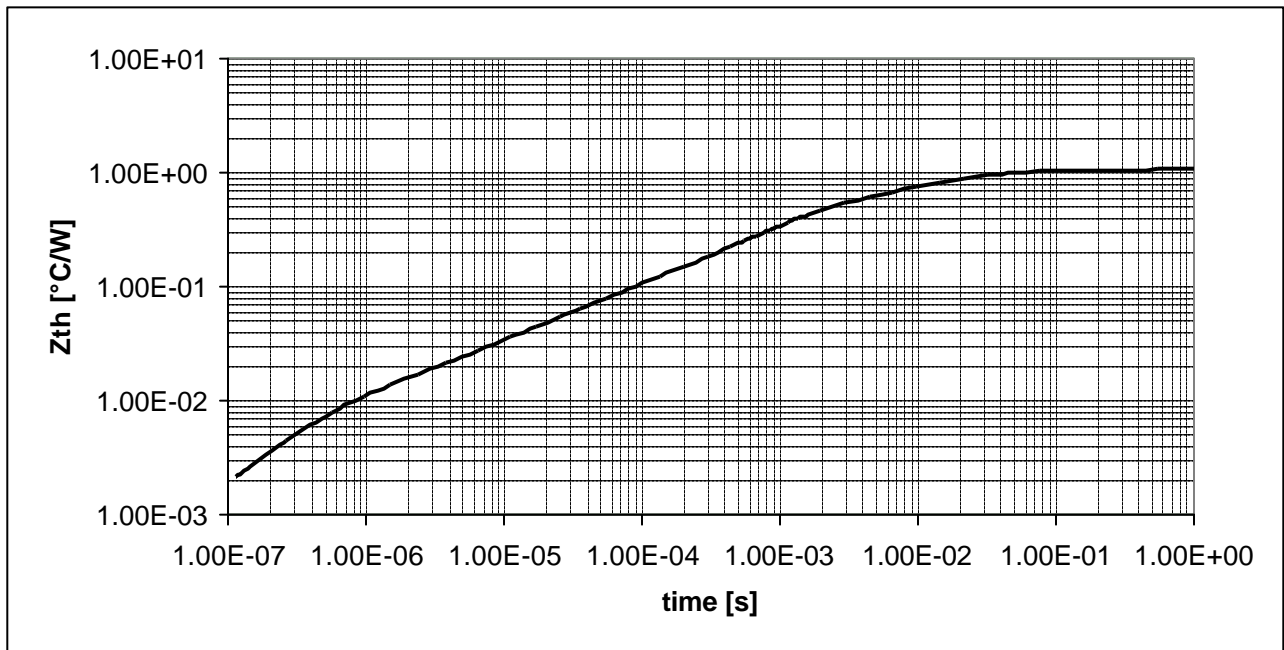
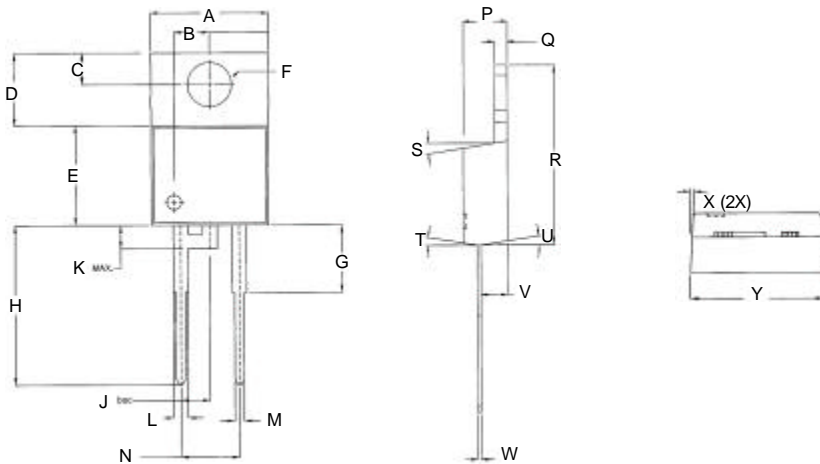


Figure 5. Transient Thermal Impedance



Package Dimensions

Package TO-220-2



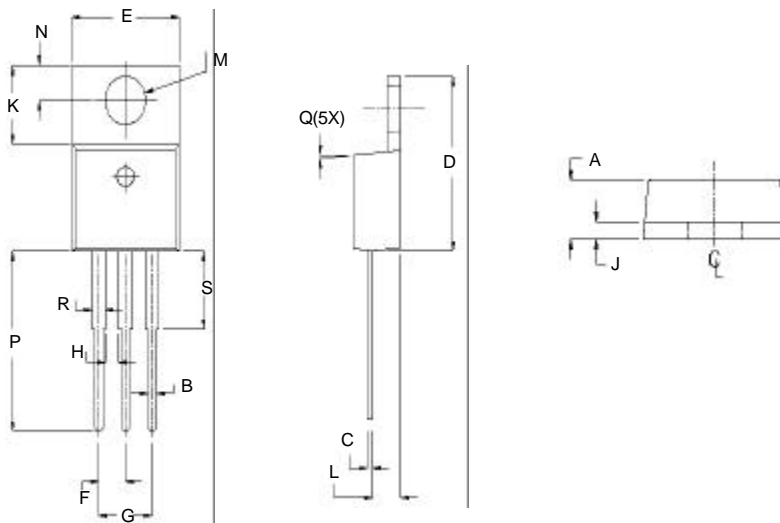
POS	Inches		Millimeters	
	Min	Max	Min	Max
A	.402	.408	10.211	10.364
B	.120	.124	3.048	3.150
C	.106	.110	2.692	2.794
D	.245	.251	6.223	6.375
E	.335	.345	8.509	8.763
F	.149	.153	3.784	3.886
G	.220	.240	5.588	6.096
H	.540	.550	13.716	13.970
J	.100 REF		2.540 REF	
K		.080		2.032
L	.050	.056	1.270	1.922
M	.032	.038	.813	.956
N	.197	.203	5.004	5.156
P	.170	.180	4.318	4.572
Q	.048	.052	1.219	1.321
R	.583	.593	14.808	15.062
S	6.5°	8.5°	6.5°	8.5°
T	6.5°	8.5°	6.5°	8.5°
U	6.5°	8.5°	6.5°	8.5°
V	.103	.107	2.616	2.718
W	.015	.021	.381	.533
X	2.0°	4.0°	2.0°	4.0°
Y	.396	.406	10.058	10.312

NOTE:

1. Dimension L, M, W apply for Solder Dip Finish.



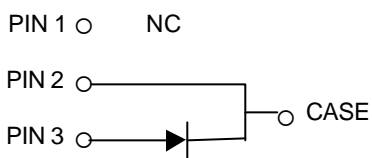
Package TO-220-3



POS	Inches		Millimeters	
	Min	Max	Min	Max
A	.160	.190	4.06	4.83
B	.025	.040	0.63	1.02
C	.015	.022	0.38	0.56
D	.560	.590	14.22	14.99
F	.385	.415	9.78	10.54
F	.090	.110	2.29	2.79
G	.190	.210	4.83	5.33
H	.045	.055	1.14	1.40
J	.045	.055	1.14	1.40
K	.234	.258	5.94	6.55
I	.090	.115	2.29	2.92
M	.146	.156	3.71	3.96
N	.103	.113	2.62	2.87
P	.540	.560	13.72	14.22
Q	3°	7°	3°	7°
R	.045	.060	1.14	1.52
S	.243 REF		6.17 REF	

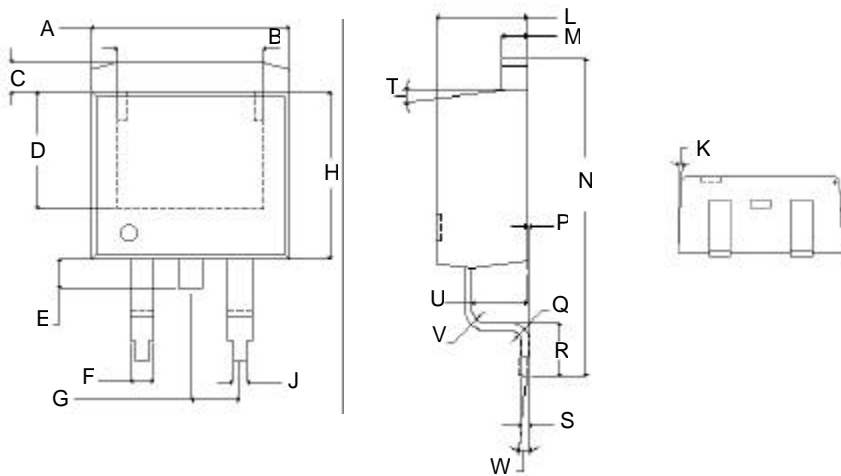
NOTE:

1. Dimension C apply for Solder Plate Finish.



Package Dimensions (Cont.)

Package TO-263-2



POS	Inches		Millimeters	
	Min	Max	Min	Max
A	.396	.406	10.058	10.312
B	.297	.303	7.544	7.696
C	.057	.063	1.448	1.600
D	.237	.243	6.015	6.167
E	.050	.070	1.270	1.778
F	.048	.052	1.219	1.321
G	.100TYP		2.540TYP	
H	.335	.345	8.509	8.763
J	.028	.032	.711	.813
K	2.0°	4.0°	2.0°	4.0°
L	.170	.180	4.318	4.572
M	.048	.052	1.219	1.321
N	.595	.615	15.113	15.621
P	0.00	.010	0.00	.254
Q	R0.018TYP	R0.022TYP	R0.457TYP	R0.559TYP
R	.090	.110	2.286	2.794
S	.013	.017	.330	.432
T	6.5°	8.5°	6.5°	8.5°
U	.103	.107	2.616	2.718
V	R0.028TYP	R0.032TYP	R0.711TYP	R0.813TYP
W	--	5.0°	--	5.0°



Part Number	Package	Marking
CSD10060A	TO-220-2	CSD10060
CSD10060B	TO-220-3	CSD10060
CSD10060G	TO-263-2	CSD10060

This product has not been designed or tested for use in, and is not intended for use in, applications implanted into the human body nor in applications in which failure of the product could lead to death, personal injury or property damage, including but not limited to equipment used in the operation of nuclear facilities, life-support machines, cardiac defibrillators or similar emergency medical equipment, aircraft navigation or communication or control systems, air traffic control systems, or weapons systems.

Copyright © 2001 Cree, Inc. All rights reserved. Permission is given to reproduce this document provided the entire document (including this copyright notice) is duplicated.

The information in this document is subject to change without notice.

Cree and the Cree logo are trademarks of Cree, Inc.

Cree, Inc.
 Power Products
 4600 Silicon Drive • Durham, NC 27703 • USA
 Tel: 919-313-5300 • Fax: 919-313-5451
www.cree.com