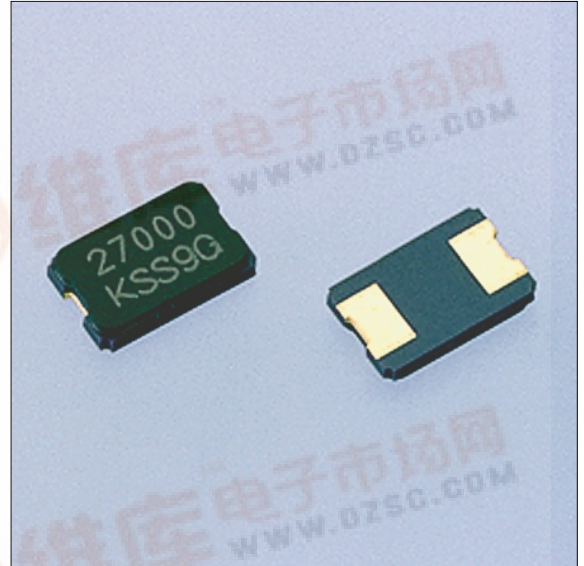


CX-53F

SMD

Features

- Ultra-thin, thickness 1.1mm or less.
- Because it is the leadless type, automatic mounting is possible.
- Excels even in an environment that requires reliability.
- Reflow is possible.
- Low cost.



Specifications

Type	CX-53F	
Frequency Range	12~54MHz	
Standard Frequency	Table 1	
Operating Temp. Range	-10~+70°C	
Storage Temp. Range	-30~+80°C	
Frequency Tolerance	at 25°C	±15, ±30, ±50×10 ⁻⁶
	Over The Oper. Temp. Range	±15, ±30, ±50×10 ⁻⁶ (referred to 25°C)
Load Capacitance	12pF	
Equivalent Series Resistance	12~14MHz	150Ω
	14~30MHz	100Ω
	30~54MHz	50Ω
Shunt Capacitance	7pF MAX.	
Drive Level	12~16MHz	0.5mW MAX.
	16~24MHz	0.3mW MAX.
	24~54MHz	0.1mW MAX.
Shock	Three drops onto a hard wood board from the height of 50cm	
Vibration	10~55Hz, amplitude 1.5mm, each to 3 directions, 2 hours each	

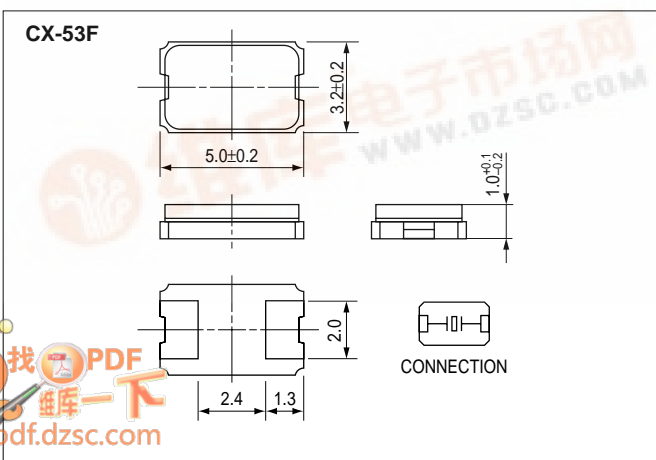
Table 1

Standard Frequencies

Standard Frequency (MHz)
12.0000
14.31818
14.7456
16.9344
18.432
22.5792
24.000
24.54545
24.576
27.000
36.000
48.000

* Taping item packaging : one unit 1,000 pcs or 3,000 pcs

Outline



Land Pattern(reference)

