

SONY CX20099/CX20148

Noise Reduction

Description

The CX20099/CX20148 is a bipolar IC designed for the 8 mm VTR PCM audio noise reduction system.

Application in the PCM audio recording and playback system makes it possible to obtain about a 100 dB dynamic range.

Features

- 5V single power supply operation
- Low power consumption (70 mW typical in operation)
- Logarithmic compress/expand compandor is provided. (Compress/Expand ratio: 2)
- REC/PB electronic switching (Compatible with TTL)
- Noise modulation reduction with the fixed preemphasis
- Improvement in low band distortion with the holding recovery characteristics
- Built-in two channels

Structure

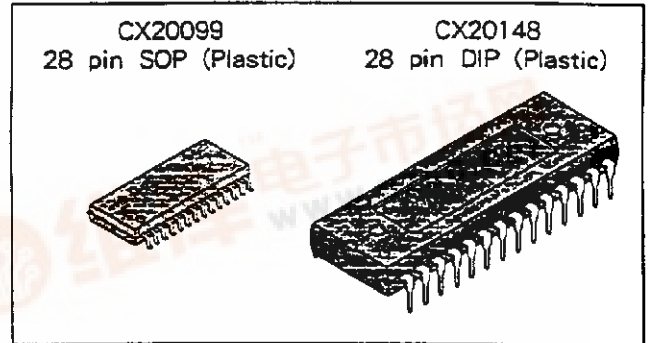
Bipolar silicon monolithic IC

Absolute Maximum Ratings (Ta = 25°C)

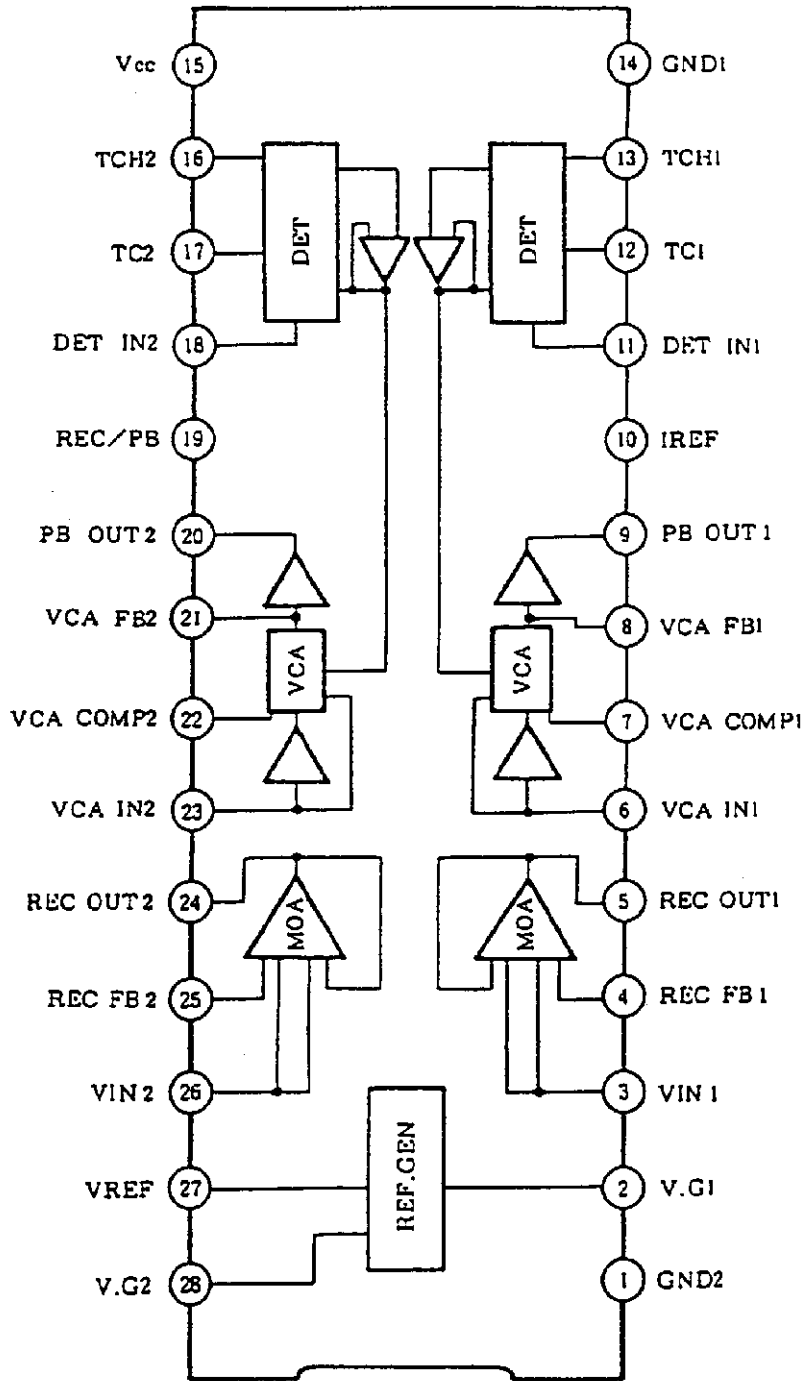
• Power supply voltage	VCC	10	V
• Operating temperature	Topr	-20 to +75	°C
• Storage temperature	Tstg	-55 to +150	°C
• Allowable power dissipation	PD	CX20099 800 mW CX20148 1170 mW	

Recommended Operating Condition

VCC	4.2 to 6.0	V (5.0V typical)
-----	------------	------------------



Block Diagram



Pin Description

DC voltage ($T_a = 25^\circ\text{C}$, $V_{cc} = 5.0\text{V}$, See Fig. 1.)

No.	Name	Function	DC voltage (V) (Typical)	Remark
1	GND2	Circuit GND for $V_{REF} - V.G$ (median point)	0.0	
2	V.G1	V.G signal reference for 1ch	2.50	Maximum current $\approx \pm 200\mu\text{A}$ Output impedance $\approx 260\Omega$ typical
3	VIN1	REC/PB common input terminal for 1ch	2.50	Bias current $\approx 150\text{nA}$
4	RECFB1	MOA inverter phase input terminal In REC, PB output for 1ch is feedback	2.50	Bias current $\approx 150\text{nA}$
5	RECOU1	REC output for 1ch	2.50	Maximum output $\approx 2.8\text{Vp-p}$ ($R_L = 7\text{k}\Omega$) (2.1dBm)
6	VCAIN1	VCA input terminal for 1ch to input current with the same voltage as V.G.	2.50	Bias current $\approx 100\text{nA}$ Max. current $\approx 1.7\text{mA}_{p-p}$ ($i_{in} + i_{out}$) (at $V_{cc} = 5.0\text{V}$)
7	VCACOMP1	1ch VCA phase compensation terminal	2.46	
8	VCAFB1	1ch VCA output amp inverted phase input terminal to convert I to V	2.50	Bias current $\approx 150\text{nA}$
9	PBOUT1	1ch PB output terminal	2.50	Max. output $\approx 3.0\text{Vp-p}$ ($R_L = 5\text{k}\Omega$) (3.7dBm)
10	IREF	Reference current input terminal for both ch detectors	0.91	
11	DETIN1	1ch detector input terminal to input current	1.36	
12	TC1	For smoothing the 1ch detector full-wave rectified waveform. It also determines the attack and recovery time constants.	2.15	
13	TCH1	It determines the 1ch detector hold time constant.	2.74	
14	GND1	Signal and control GND for both channels	0.0	
15	Vcc	Power supply terminal for both channels	5.0	
16	TCH2	It determines the 2ch detector hold time constant.	2.74	
17	TC2	For smoothing the 2ch detector full-wave rectified waveform. It also determines the attack and recovery time constants.	2.15	
18	DETIN2	2ch detector input terminal to input current	1.36	

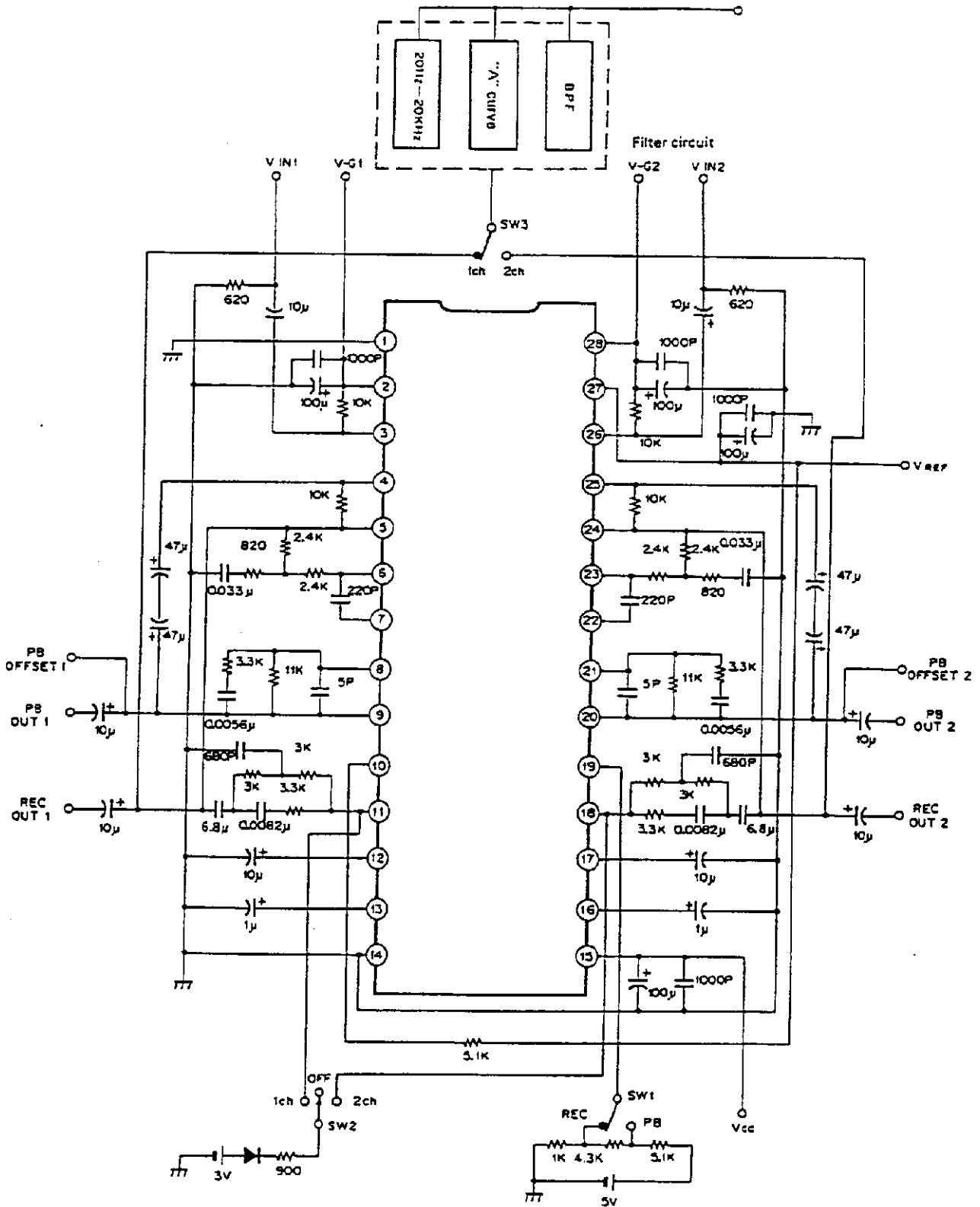
No.	Name	Function	DC voltage (V) (Typical)	Remark
19	REC/PB	REC/PB mode switching terminal	0.50	In REC, $0 \leq V_L \leq 0.5V$ $I_L \approx 50\mu A$ max. In PB, $2.5V \leq V_H \leq V_{CC}$ $I_H \approx 0$
20	PBOUT2	2ch PB output terminal	2.50	Max. output $\approx 3.0V_{p-p}$ ($R_L = 5K\Omega$) (3.7dBm)
21	VCAF82	2nd VCA output amp inverted phase input terminal to convert I to V.	2.50	Bias current $\approx 150nA$
22	VCACOMP2	2nd ch VCA phase compensation terminal	2.46	
23	VCAIN2	2ch VCA input terminal with the same voltage as V.G. to input current.	2.50	Bias current $\approx 100nA$. Max. current $\approx 1.7mA_{p-p}$ (in + out) (at $V_{CC} = 5.0V$)
24	RECOUT2	2ch REC output terminal	2.50	Max. output $\approx 2.8V_{p-p}$ ($R_L = 7K\Omega$) (2.1dBm)
25	RECFB2	MOA inverter phase input terminal In REC, PB output for 1 ch is feedback	2.50	Bias current $\approx 150nA$
26	VIN2	REC/PB common input terminal for 2ch	2.50	Bias current $\approx 150nA$
27	VREF	Reference voltage for VCA gain	1.95	Max. current $\approx 4mA$ typical Output impedance $\approx 10\Omega$ typical
28	V.G2	V.G signal reference for 2 ch	2.50	Max. current $\approx \pm 200\mu A$ Output impedance $\approx 260\Omega$ typical

Electrical Characteristics
See the filter circuit of Electrical Characteristics Measuring Circuit
($T_a = 25^\circ\text{C}$, $V_{cc} = 5\text{V}$)

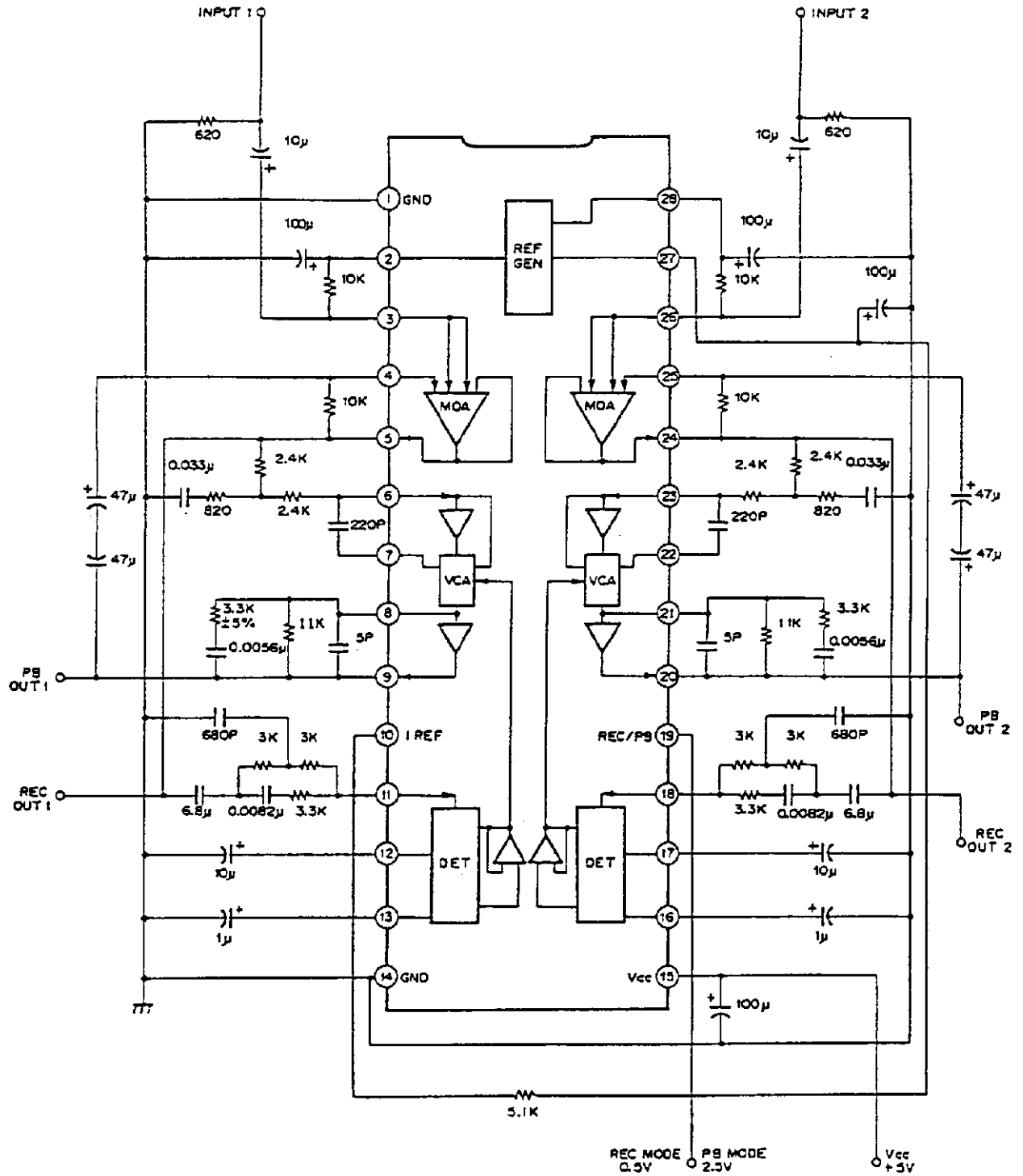
Measuring No.	Item	Symbol	SW - condition						Input condition		Measuring point	Description of output waveform and measuring method	Standard			
			SW1	SW2	SW3	SW4	SW5	SW6	/VIN (KHz)	VIN (dBm)			Min.	Typ.	Max.	Unit
1	Circuit current	I_{cc}	OFF	OFF	OFF	OFF	OFF	OFF	No signal		V_{cc}		10.0	14.0	18.0	mA
2	Decoder offset voltage (1)	$V_{off} (1)$	ON	1ch					No signal		I/B OFFSET 1	Measure DC centering on 2.5 V	-330	0	330	mV
3	Decoder offset voltage (2)	$V_{off} (2)$		2ch					No signal		I/B OFFSET 2		-330	0	330	mV
4	Reference level (1)	E - F - R(1)	OFF	OFF					0.4	-10	REC OUT 1		-11.5	-10.0	-8.5	dBm
5	Reference level (2)	E - F - R(2)									REC OUT 2		-11.5	-10.0	-8.5	dBm
6	Frequency response 1-(1)	E - F - 1(1)							0.4	-50	REC OUT 1		-21.5	-20.0	-18.5	dB
7	Frequency response 1-(2)	E - F - 1(2)									REC OUT 2		-21.5	-20.0	-18.5	dB
8	Frequency response 2-(1)	E - F - 2(1)							7.0	-50	REC OUT 1		-17.4	-15.9	-14.4	dB
9	Frequency response 2-(2)	E - F - 2(2)									REC OUT 2		-17.4	-15.9	-14.4	dB
10	Frequency response 3-(1)	E - F - 3(1)							0.4	-30	REC OUT 1	Measure the difference with the reference level.	-11.5	-10.0	-8.5	dB
11	Frequency response 3-(2)	E - F - 3(2)									REC OUT 2		-11.5	-10.0	-8.5	dB
12	Frequency response 4-(1)	E - F - 4(1)							7.0	-30	REC OUT 1		-7.4	-5.9	-4.4	dB
13	Frequency response 4-(2)	E - F - 4(2)									REC OUT 2		-7.4	-5.9	-4.4	dB
14	Frequency response 5-(1)	E - F - 5(1)							14.0	-30	REC OUT 1		-6.2	-4.7	-3.2	dB
15	Frequency response 5-(2)	E - F - 5(2)									REC OUT 2		-6.2	-4.7	-3.2	dB

Measuring No.	Item	Symbol	SW - condition						Input condition		Measuring point	Description of output waveform and measuring method	Standard			
			SW1	SW2	SW3	SW4	SW5	SW6	f/VIN (KHz)	VIN (dBm)			Min.	Typ.	Max.	Unit
16	Frequency response 6-(1)	E - F - 6 (1)	OFF	OFF	OFF	OFF	OFF	OFF	7.0	-10	REC OUT 1	Measure the difference with the reference level.	2.6	4.1	5.6	dB
17	Frequency response 6-(2)	E - F - 6 (2)									REC OUT 2		2.6	4.1	5.6	dB
18	REC output distortion factor (1)	THD - R (1)							0.4	-10	REC OUT 1	Measure the distortion factor.	-	0.13	0.40	%
19	REC output distortion factor (2)	THD - R (2)									REC OUT 2		-	0.13	0.40	%
20	Signal handling (1)	S - H (1)	ON						1.0	-3.0	PB OUT 1	Measure the distortion factor.	-	0.2	1.1	%
21	Signal handling (2)	S - H (2)									PB OUT 2		-	0.2	1.1	%
22	REC output SN ratio (F)(1)	SN - R - F(1)	OFF			ON			No signal		Filter OUT	20 Hz to 20 kHz Use filter Rg = 600 Ω	-	-40.0	-34.0	dBm
23	REC output SN ratio (F)(2)	SN - R - F(2)			ON				No signal		Filter OUT		-	-40.0	-34.0	dBm
24	REC output SN ratio (A)(1)	SN - R - A(1)			OFF		ON		No signal		Filter OUT	"A" curve Use filter Rg = 600 Ω	-	-40.0	-34.0	dBm
25	REC output SN ratio (A)(2)	SN - R - A(2)			ON				No signal		Filter OUT		-	-40.0	-34.0	dBm
26	Crosstalk 1-2 (REC)	CT (1-2)					OFF	ON	1.0	-10	Filter OUT	Use 1 kHz (20 dB) BPF	-	-45.0	-39.0	dBm
27	Crosstalk 2-1 (REC)	CT (2-1)			OFF						Filter OUT		-	-45.0	-39.0	dBm
28	Reference voltage	V _{REF}				OFF			No signal		V _{REF}		1.80	1.95	2.10	V
29	Median voltage 1	V.G1							No signal		V.G1		2.2	2.5	2.8	V
30	Median voltage 2	V.G2							No signal		V.G2		2.2	2.5	2.8	V

Electrical Characteristics Measuring Circuit



Example of Application Circuit



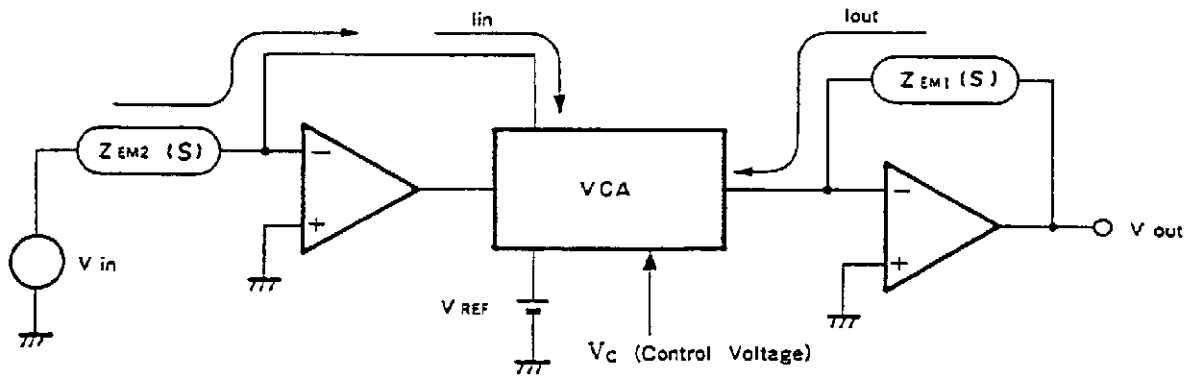
Description of Functions

(1) MOA (Main Op Amp)

With the internal switching, it operates as the voltage follower in PB and has the encoding characteristics in REC by inputting to the decoder circuit into the MOA feedback loop.

(2) VCA (Voltage Controlled Amp)

VCA is comprised of the current input and the power supply current divider. Before and after the VCA, the impedance elements (performing the emphasis as well) for the voltage — current and current — voltage conversions are connected.



The VCA control sensitivity is 0.33dB/mV and the VCA gain is determined based on the VREF reference. When $(V_{REF} - V_c) = 30 \text{ mV}$, the VCA gain becomes 10 dB; when the VCA gain is set as GVCA in the above diagram,

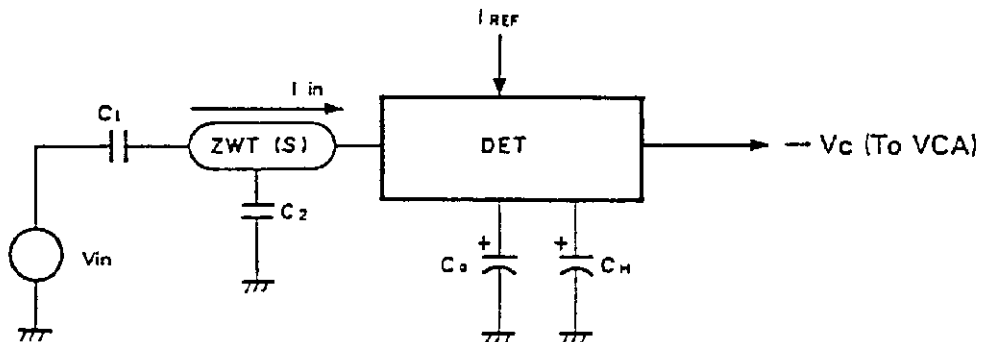
$$V_{OUT} = V_{in} \cdot G_{VCA} \cdot Z_{EM1}(S)/Z_{EM2}(s).$$

In this VCA, the maximum I_o value depends on the power supply voltage when $I_o = I_{in} + I_{out}$. That is, the maximum I_o will be as follows:

- $V_{CC} = 5.0V \rightarrow I_o \text{ max.} \approx 1.7\text{mA}_{p-p}$.
- $V_{CC} = 4.2V \rightarrow I_o \text{ max.} \approx 1.4\text{mA}_{p-p}$.

(3) DET (Detector)

Current input is applied to the detector to cover a wide dynamic range with logarithm conversion.



The DC component in the detector input is eliminated by the capacitor (C1). Capacitor (C2) is also required to eliminate high frequency components as the ZWT(S) impedance is small.

In this case, the input current i_{in} will be,

$$i_{in} = V_{in}/ZWT(S).$$

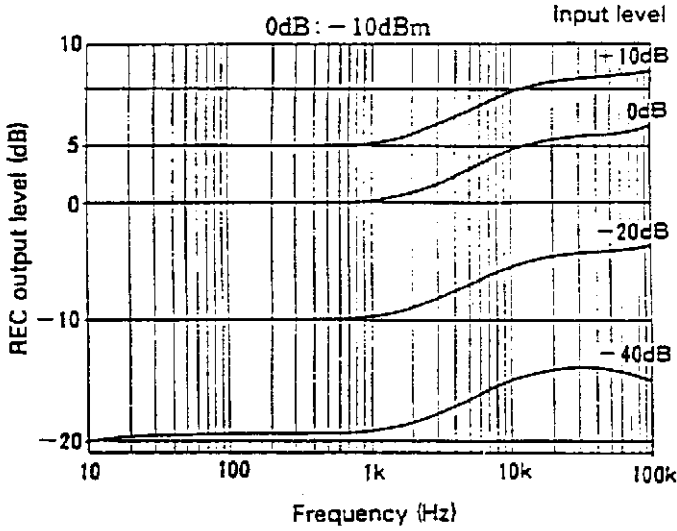
The VCA control voltage V_c will be a function of the ratio between i_{in} and I_{ref} . When $I_{ref} = 100 \mu A$, i_{in} will be $81.4 \mu A_{rms}$ and

$$V_c = V_{ref} \text{ (VCA gain = 0dB)}.$$

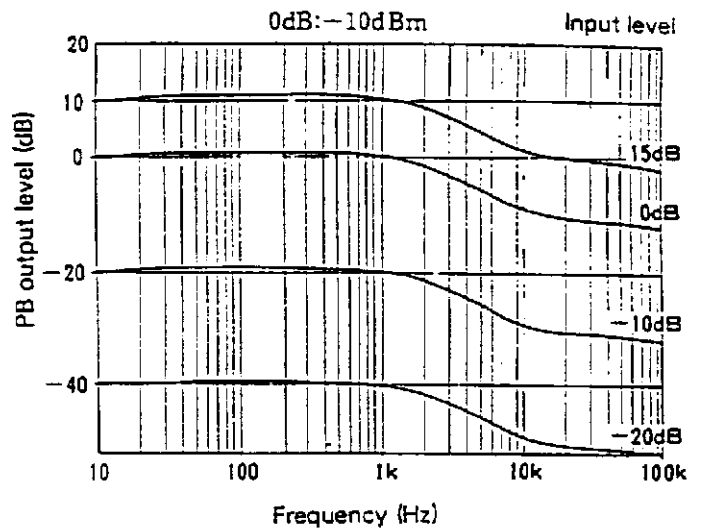
The recovery time constant is determined by C_o . As it is set to be comparatively short, the detector output ripple component will increase causing low band distortion due to modulation from mixing.

Therefore, the distortion factor is corrected using a short recovery time constant by holding the full-wave rectified waveform peaks with C_H .

Frequency Characteristics (Compression Mode)



Frequency Characteristics (Expansion Mode)



Output Level

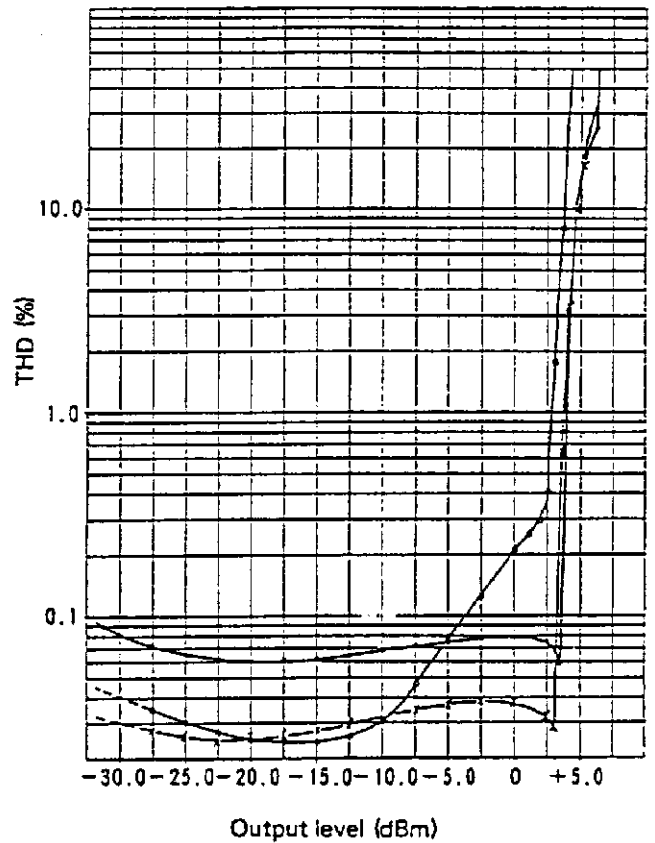
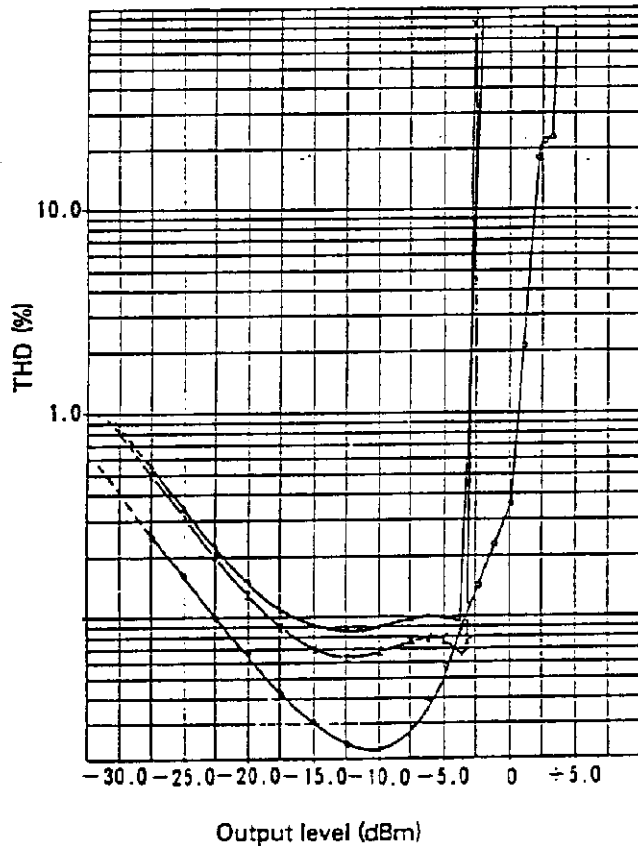
— THD Characteristics (Compression Mode)

- 400Hz(30kHz LPF)
- × 1kHz(400Hz HPF, 30kHz LPF)
- 10kHz(400Hz HPF, 30kHz LPF)

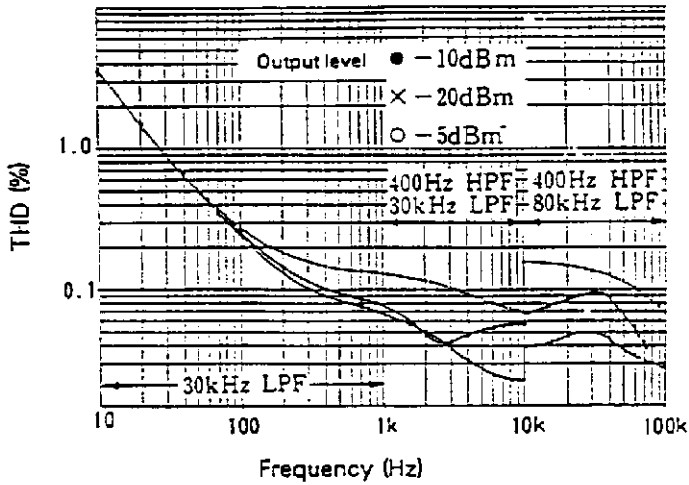
Output Level

— THD Characteristics (Expansion Mode)

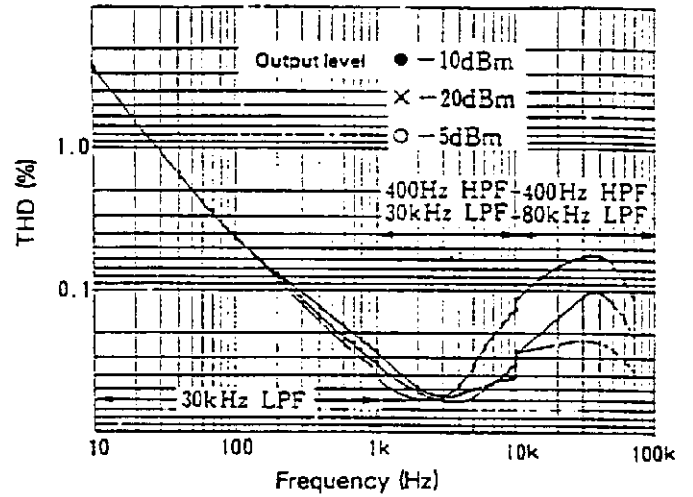
- 400Hz(30kHz LPF)
- × 1kHz(400Hz HPF, 30kHz LPF)
- 10kHz(400Hz HPF, 30kHz LPF)



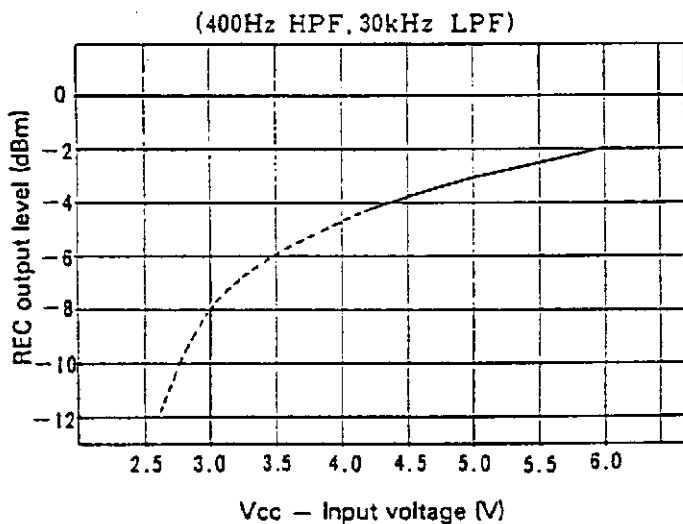
Frequency
- THD Characteristics (Compression Mode)



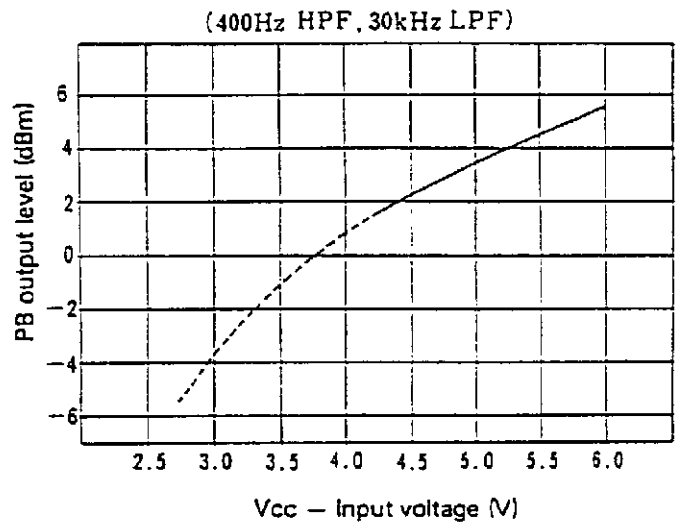
Frequency
- THD Characteristics (Expansion Mode)



Signal Handling (Compression Mode)
f = 1 kHz, 1% distortion

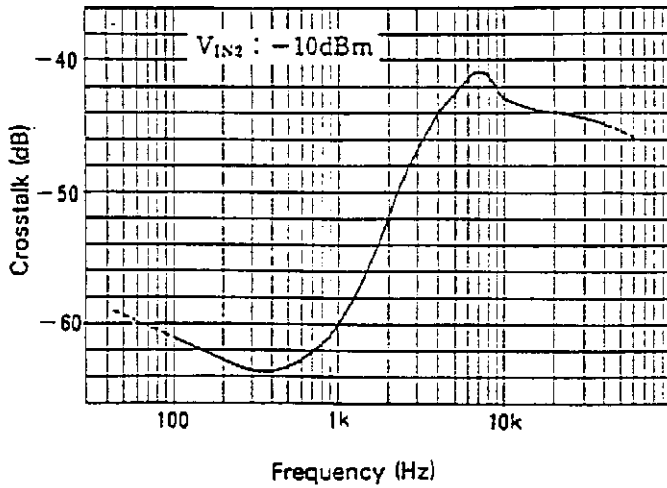


Signal Handling (Expansion Mode)
f = 1 kHz, 1% distortion



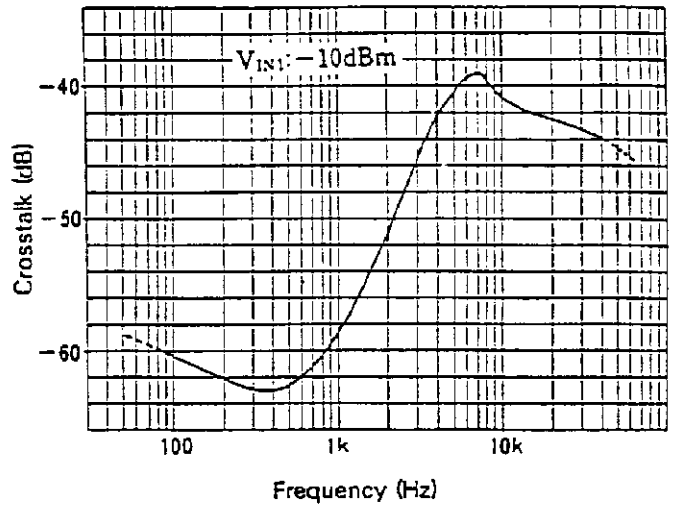
Crosstalk (between Channels)

2ch — 1ch (compression mode)
 Crosstalk — Difference between input and REC output.



Crosstalk (between Channels)

1ch — 2ch (compression mode)
 Crosstalk — Difference between input and REC output.

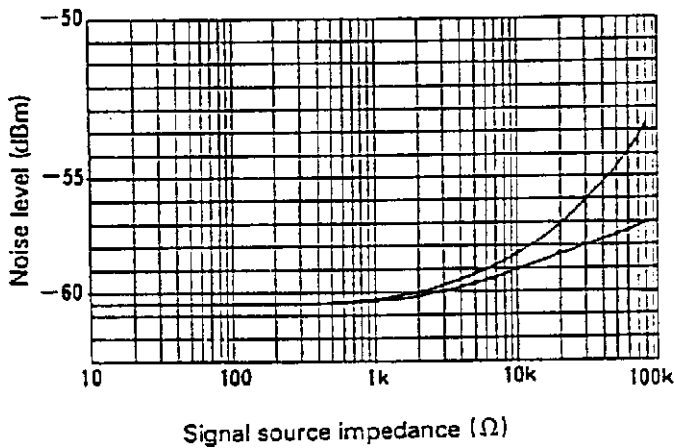


Signal Source Impedance

— Noise Level (S/N) Characteristics

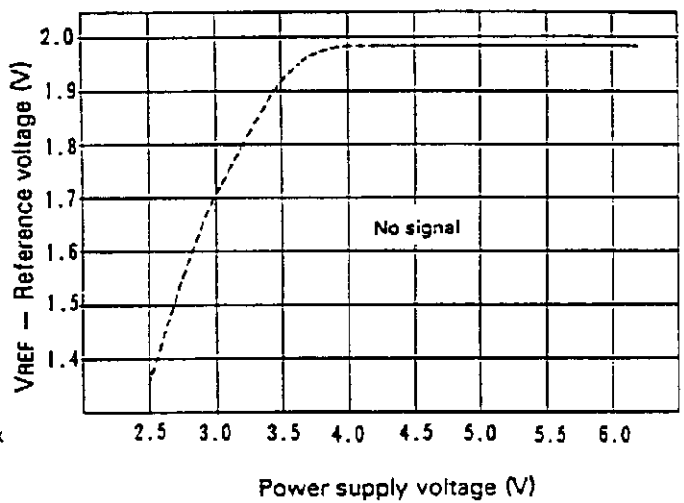
Compression mode No signal

20Hz to 20kHz filter
 "A" weighting filter

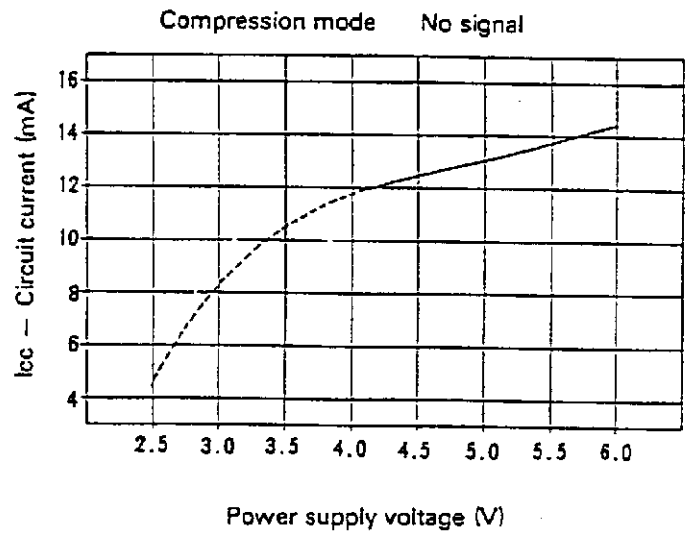


Reference Voltage

— Power Supply Voltage Characteristics

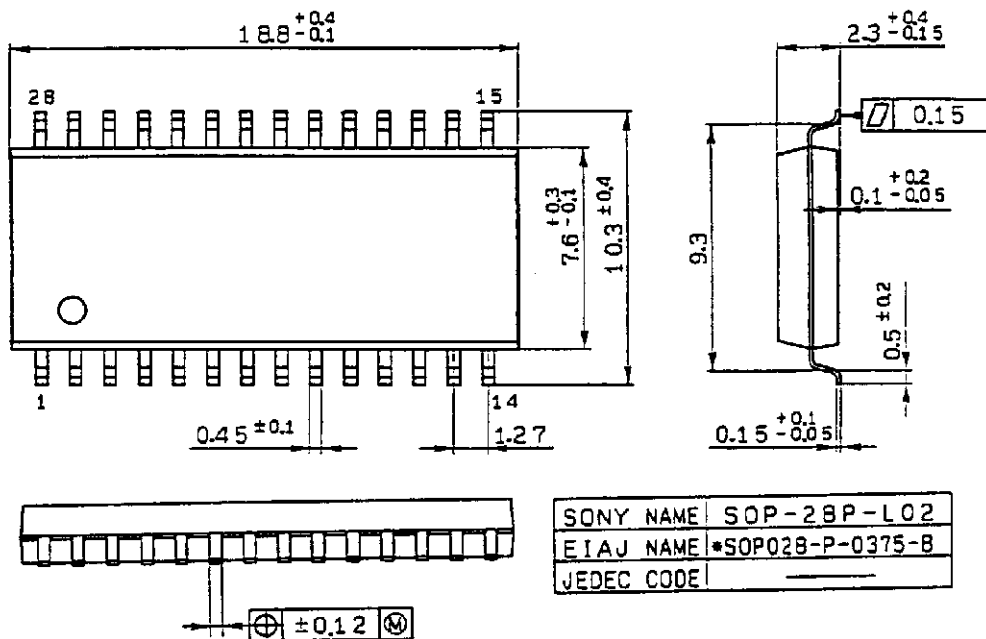


Circuit Current
— Power Supply Voltage Characteristics



Package Outline Unit: mm

CX20099 28 pin SOP (Plastic)



CX20148 28 pin DIP (Plastic)

