

SONY

CXA1642P/M

Vocal Canceller for "Karaoke" Equipment

Description

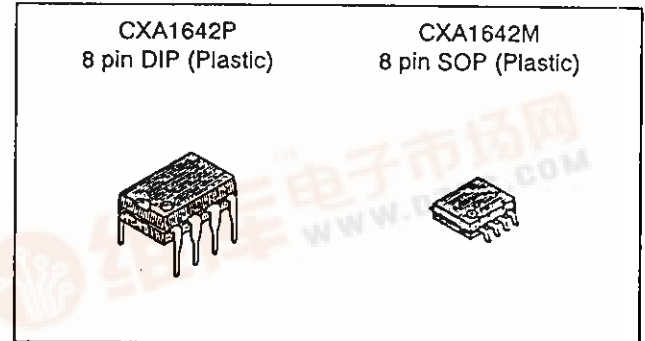
The CXA1642P/M is a bipolar IC for use in "Karaoke" music entertainment systems that provides a built-in means of attenuating the vocal portions of recorded musical programs on CD, laser disks and other entertainment media.

Features

- Vocal cancel feature
- Low-level sound correction
- Internal MIX input amplifier
- Few external components

Absolute Maximum Ratings

- Supply voltage V_{cc} 12 V
- Operating temperature T_{opr} -20 to +75 °C
- Storage temperature T_{stg} -65 to +150 °C
- Allowable power dissipation
 - P_D 500 mW (CXA1642P)
 - 250 mW (CXA1642M)



Applications

Use in all types of "Karaoke" audio systems to implement functions needed to allow singer's voice to override the originally recorded vocal track without disrupting the music tracks.

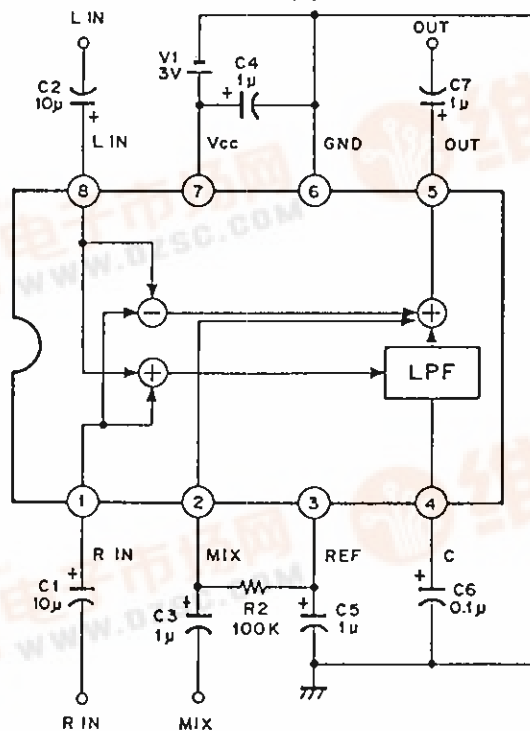
Structure

Bipolar silicon monolithic IC

Recommended Operating Conditions

- Supply voltage 1.8 to 10.0 V

Block Diagram, Pin Configuration, and Application Circuit



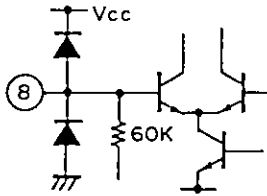


Sony reserves the right to change products and specifications without prior notice. This information does not convey any license by any implication or otherwise under any patents or other right. Application circuits shown, if any, are typical examples illustrating the operation of the devices. Sony cannot assume responsibility for any problems arising out of the use of these circuits.



Pin Description

Pin No.	Symbol	Equivalent circuit	Pin voltage	Description
1	R_IN		5.0	R-channel input
2	MIX		5.0	Mixing input
3	REF		5.0	Reference pin
4	C		5.0	LPF time constant pin
5	OUT		5.0	Output

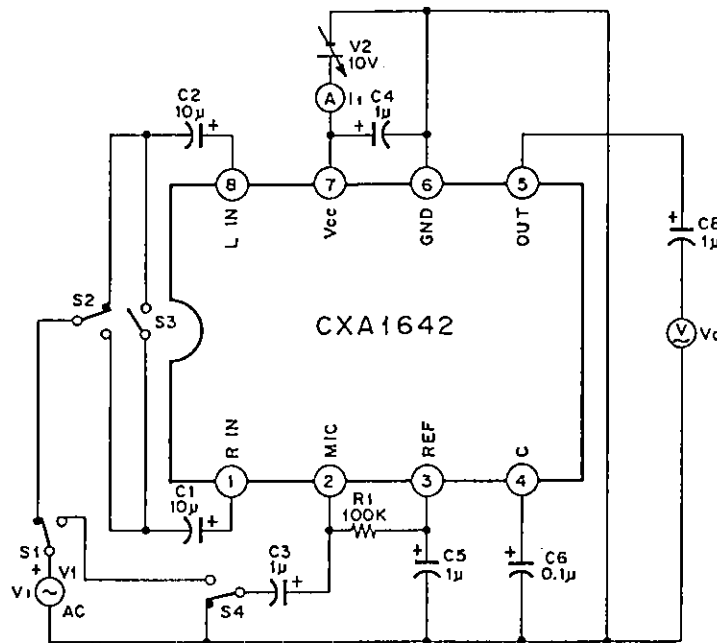
Pin No.	Symbol	Equivalent circuit	Pin voltage	Description
6	GND		0	GND
7	Vcc		10.0	Power supply
8	L_IN		5.0	L-channel input

Electrical Characteristics

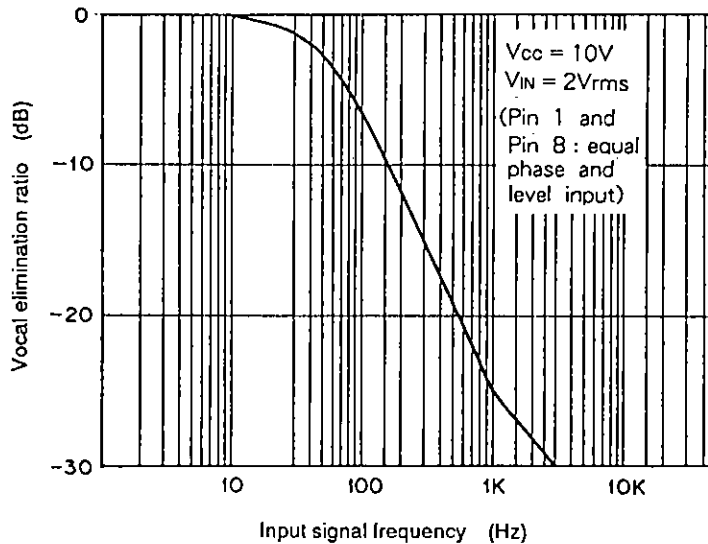
(Ta=25°C, Vcc=10)

Test No.	Test item	SW conditions				Test point	Output waveform and test method	Min.	Typ.	Max.	Unit
		S1	S2	S3	S4						
1	Circuit current	OFF	OFF	OFF	OFF	I _i	—	1.6	3.0	mA	
2	Mixer gain	ON			ON	V _o	-1	0	1	dB	
3	Noise level	OFF			OFF	V _o	—	-86	-70	dBm	
4	Vocal suppression			ON		V _o	20	24	—	dB	
5	Low frequency gain					V _o	-1	0	1	dB	

Electrical Characteristics Test Circuit

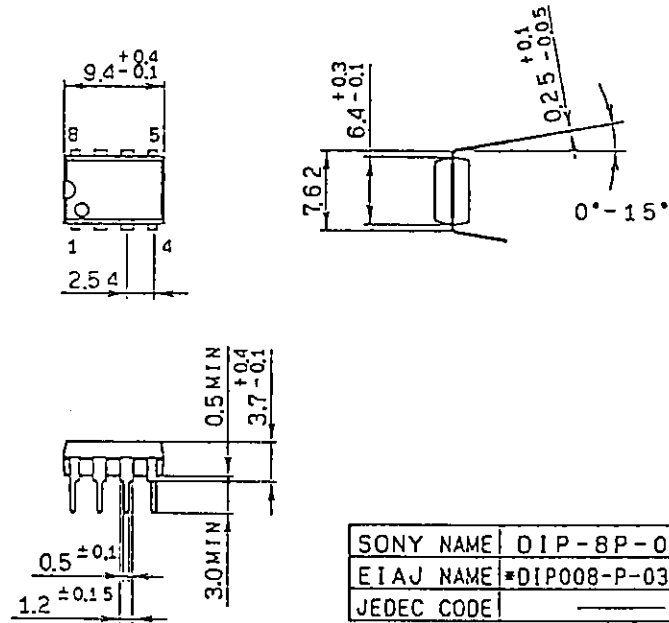


CXA1642 Vocal Elimination Ratio

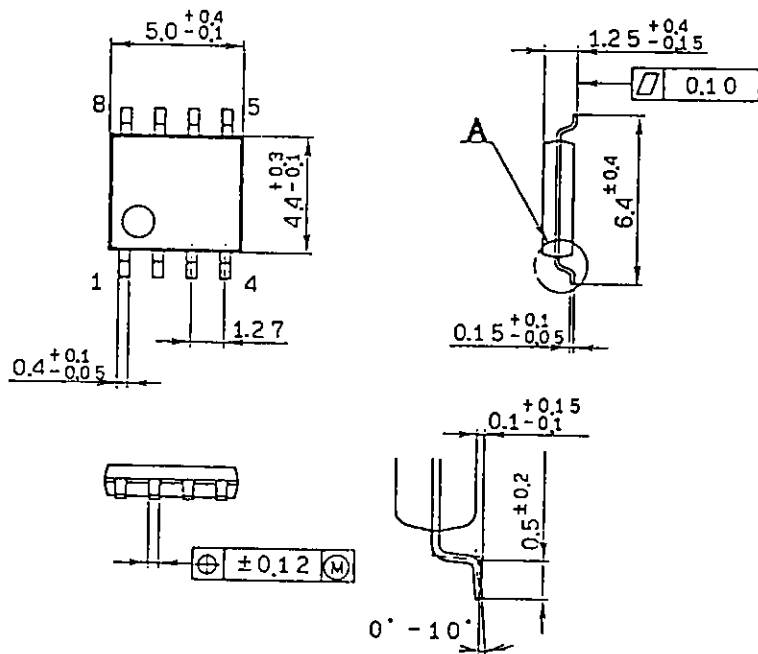


Package Outline Unit : mm

CXA1642P 8pin DIP (Plastic) 300mil 0.5g



CXA1642M 8pin SOP (Plastic) 225mil



Detailed diagram of A

SONY NAME	SOP-8P-L03
EIAJ NAME	*SOP008-P-0225-A
JEDEC CODE	_____