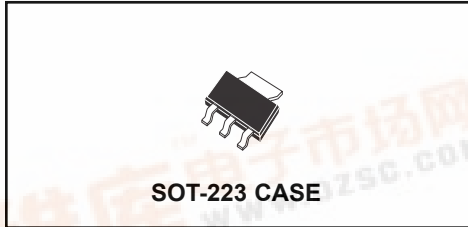


CZR1-04C
SURFACE MOUNT
HIGH VOLTAGE RECTIFIER



CentralTM

Semiconductor Corp.

DESCRIPTION:

The CENTRAL SEMICONDUCTOR CZR1-04C type is a Silicon General Purpose Dual Rectifier, connected in a Common Cathode configuration, designed for applications requiring high voltage capability.

MAXIMUM RATINGS (T_A=25°C)

Reverse Voltage
Peak Reverse Voltage
Average Forward Current
Peak Forward Surge Current, t=1.0μs
Operating and Storage
Junction Temperature
Power Dissipation
Thermal Resistance

SYMBOL

V_R
V_{RM}
I_O
I_{FSM}
T_J, T_{stg}
P_D
Θ_{JA}

UNITS

400 V
400 V
2.0 A
10 A
-65 to +150 °C
2.0 W
62.5 °C/W

ELECTRICAL CHARACTERISTICS PER DIODE: (T_A=25°C unless otherwise noted)

SYMBOL TEST CONDITIONS

I_R V_R=400V
I_R V_R=400V, T_A=150°C
BV_R I_R=100μA
V_F I_F=1.0A
V_F I_F=2.0A
t_{rr} I_F=200mA, I_R=200mA, I_{RR}=20mA
C_J V_R=0V, f=1.0MHz

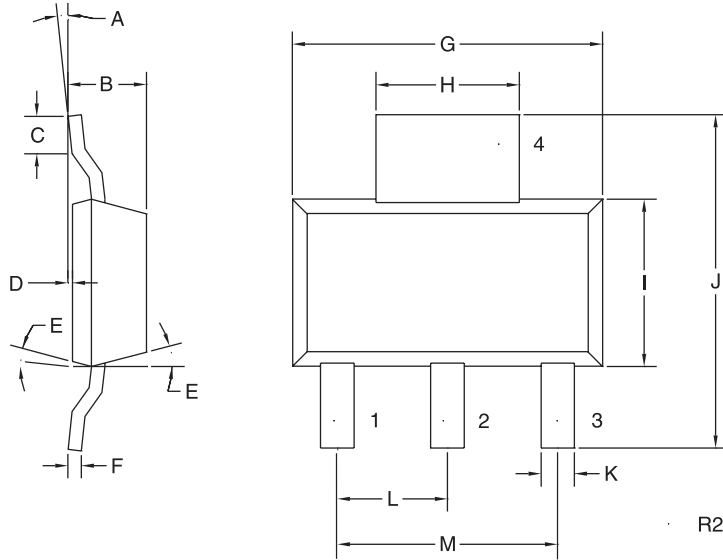
MAX TYP MAX UNITS

1.0 μA
50 μA
400 V
1.6 V
2.0 V
1.0 μs
10 pF

R1 (11-June 2001)

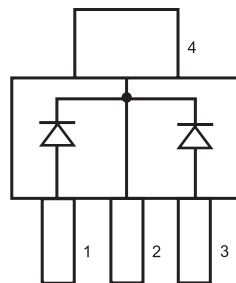
**SURFACE MOUNT
HIGH VOLTAGE RECTIFIER**

MECHANICAL OUTLINE - SOT-223



LEAD CODE:

- 1. ANODE 1
- 2. CATHODE
- 3. ANODE 2
- 4. CATHODE



SYMBOL	INCHES		MILLIMETERS	
	MIN	MAX	MIN	MAX
A	0°	7°	0°	7°
B	0.063	0.067	1.60	1.70
C	0.022		0.55	
D	0.001	0.004	0.03	0.10
E	15°		15°	
F	0.009	0.013	0.23	0.33
G	0.248	0.264	6.30	6.71
H	0.114	0.122	2.90	3.10
I	0.130	0.146	3.30	3.71
J	0.264	0.287	6.71	7.29
K	0.024	0.031	0.61	0.79
L	0.091		2.31	
M	0.181		4.60	

SOT-223 (REV: R2)