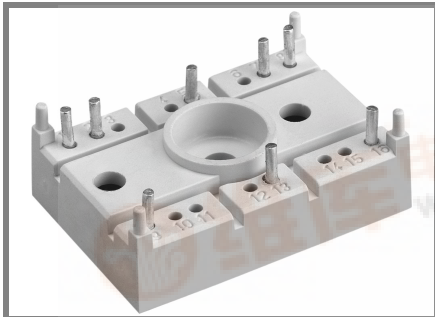


SK 70 MD 075



SEMITOP® 2

MOSFET Module

SK70MD075

Target Data

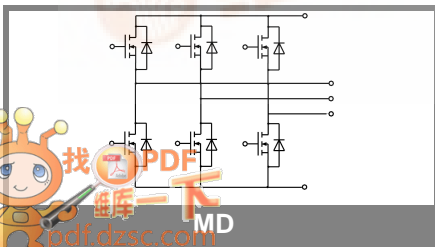
Features

- Compact design
- One screw mounting
- Heat transfer and isolation through direct copper bonding aluminium oxide ceramic (DBC)
- Trench-gate technology
- Short internal connections and low inductance case

Typical Applications

- Low switched mode power supplies
- DC servo drives
- UPS
- Electric Vehicles drives

1) Maximum PCB temperature, at pins contact, = 85°C

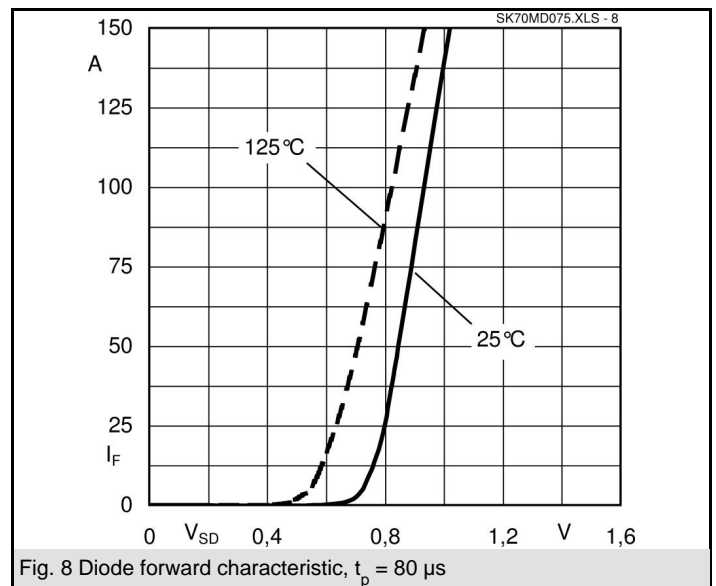
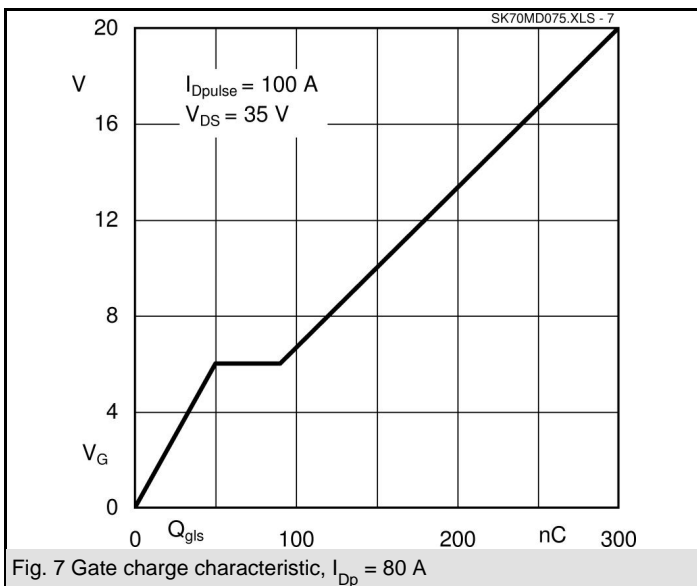
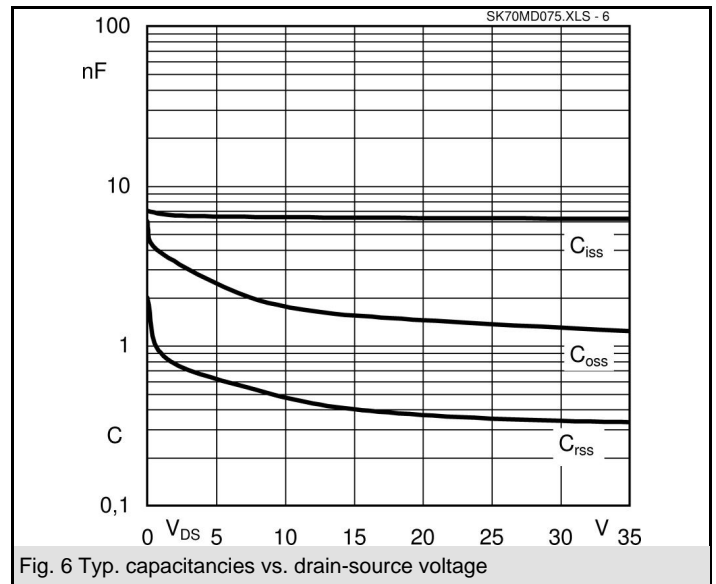
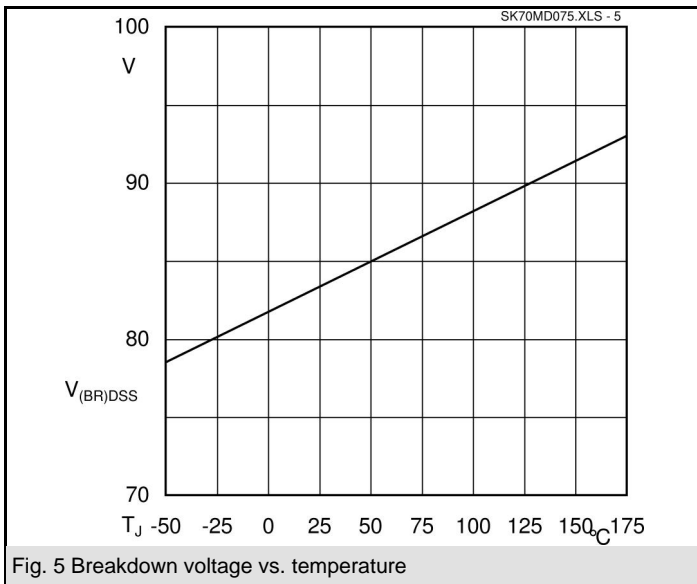
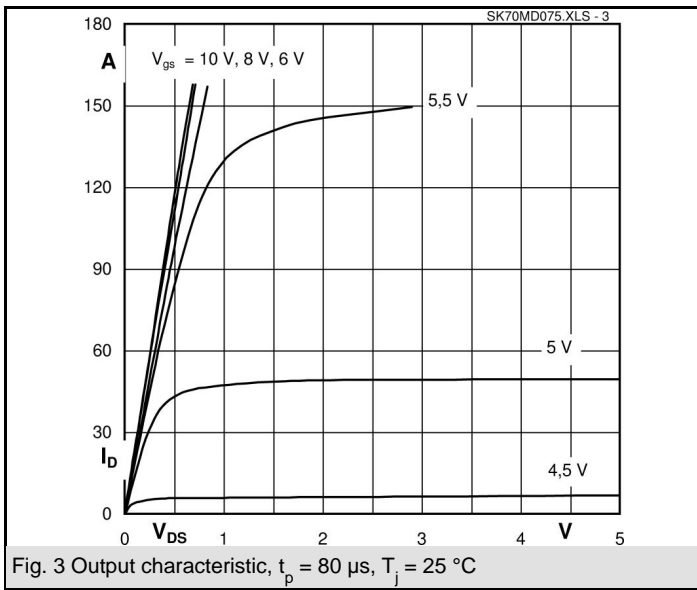


Absolute Maximum Ratings		$T_s = 25\text{ }^\circ\text{C}$, unless otherwise specified	
Symbol	Conditions	Values	Units
MOSFET			
V_{DSS}		75	V
V_{GSS}		± 20	V
I_D	$T_s = 25\text{ (80) }^\circ\text{C}; 1$	100 (70)	A
I_{DM}	$t_p < 1\text{ ms}; T_s = 80\text{ (80) }^\circ\text{C}; 1$	(140)	A
T_j		- 40 ... + 150	$^\circ\text{C}$
Inverse diode			
$I_F = - I_D$	$T_s = 25\text{ (80) }^\circ\text{C};$	100 (70)	A
$I_{FM} = - I_{DM}$	$t_p < 1\text{ ms}; T_s = 80\text{ (80) }^\circ\text{C};$	(140)	A
T_j		- 40 ... + 150	$^\circ\text{C}$
Freewheeling CAL diode			
$I_F = - I_D$	$T_s = \text{ }^\circ\text{C}$		A
T_j			$^\circ\text{C}$
T_{stg}		- 40 ... + 125	$^\circ\text{C}$
T_{sol}	Terminals, 10 s	260	$^\circ\text{C}$
V_{isol}	AC, 1 min	2500 / 3000	V

Characteristics		$T_s = 25\text{ }^\circ\text{C}$, unless otherwise specified			
Symbol	Conditions	min.	typ.	max.	Units
MOSFET					
$V_{(BR)DSS}$	$V_{GS} = 0\text{ V}; I_D = 5,6\text{ mA}$	75			V
$V_{GS(th)}$	$V_{GS} = V_{DS}; I_D = 5,6\text{ mA}$	2,5	3,3		V
I_{DSS}	$V_{GS} = 0\text{ V}; V_{DS} = V_{DSS}; T_j = 25\text{ }^\circ\text{C}$			100	μA
I_{GSS}	$V_{GS} = \pm 20\text{ V}; V_{DS} = 0\text{ V}$			100	nA
$R_{DS(on)}$	$I_D = 80\text{ A}; V_{GS} = 10\text{ V}; T_j = 25\text{ }^\circ\text{C}$			5	m Ω
$R_{DS(on)}$	$I_D = 80\text{ A}; V_{GS} = 10\text{ V}; T_j = 125\text{ }^\circ\text{C}$			10	m Ω
C_{CHC}	per MOSFET				pF
C_{iss}	under following conditions:		7		nF
C_{oss}	$V_{GS} = 0\text{ V}; V_{DS} = 25\text{ V}; f = 1\text{ MHz}$		1,5		nF
C_{rss}					nF
L_{DS}					nH
$t_{d(on)}$	under following conditions:				ns
t_r	$V_{DD} = 50\text{ V}; V_{GS} = 10\text{ V};$ $I_D = 50\text{ A}$				ns
$t_{d(off)}$	$R_G = 56\text{ }^\circ\Omega$				ns
t_f					ns
$R_{th(j-s)}$	per MOSFET (per module)			1,1	K/W
Inverse diode					
V_{SD}	$I_F = 50\text{ A}; V_{GS} = 0\text{ V}; T_j = 50\text{ }^\circ\text{C}$		0,9		V
I_{RRM}	under following conditions:				A
Q_{rr}	$I_F = 50\text{ A}; T_{vj} = 25\text{ }^\circ\text{C}; R_G = 56\text{ }^\circ\Omega$				μC
t_{rr}	$V_R = 65\text{ A}; di/dt = 100\text{ A}/\mu\text{s}$				ns
Free-wheeling diode					
V_F	$I_F = \text{A}; V_{GS} = \text{V}$				V
I_{RRM}	under following conditions:				A
Q_{rr}	$I_F = \text{A}; T_{vj} = \text{ }^\circ\text{C}$				μC
t_{rr}	$V_r = \text{A}; di/dt = \text{A}/\mu\text{s}$				ns
Mechanical data					
M1	mounting torque			2	Nm
w			20		g
Case	SEMITOP® 2		T 47		

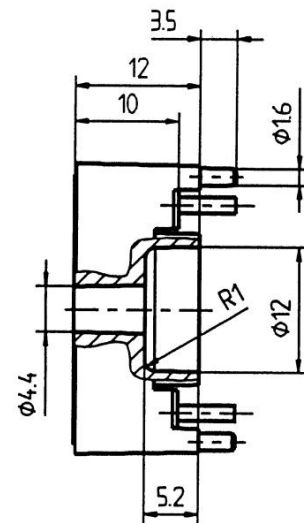
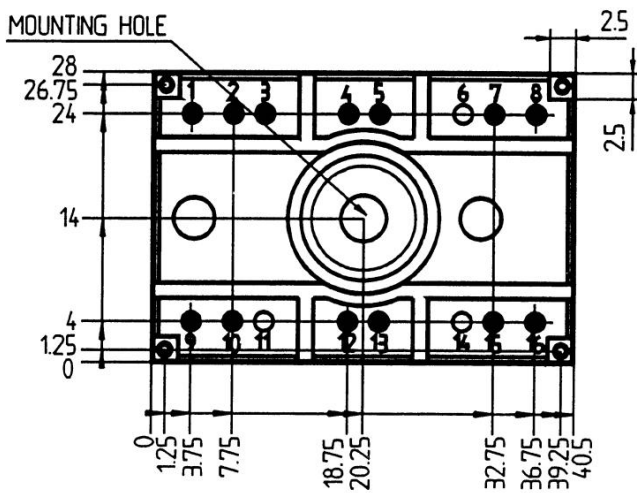
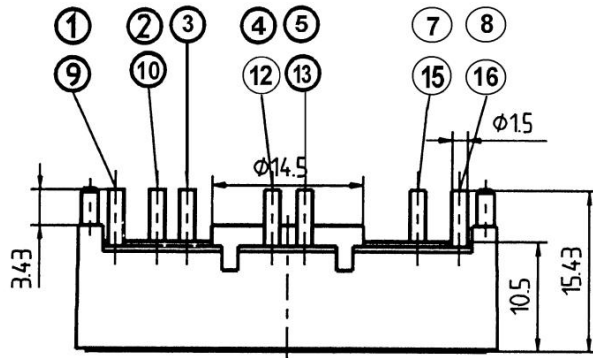


SK 70 MD 075



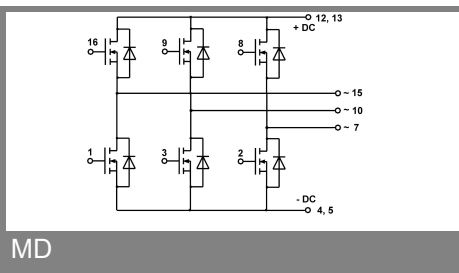
SK 70 MD 075

Dimensions in mm



SUGGESTED HOLEDIAMETER FOR THE SOLDER PINS AND THE MOUNTING PINS IN THE PCB: 2 mm

Case T 47



MD

This is an electrostatic discharge sensitive device (ESDS), international standard IEC 60747-1, Chapter IX.

This technical information specifies semiconductor devices but promises no characteristics. No warranty or guarantee expressed or implied is made regarding delivery, performance or suitability.