

# SHINDENGEN

## Schottky Rectifiers (SBD)

Dual

# D10SC9M

## 90V 10A

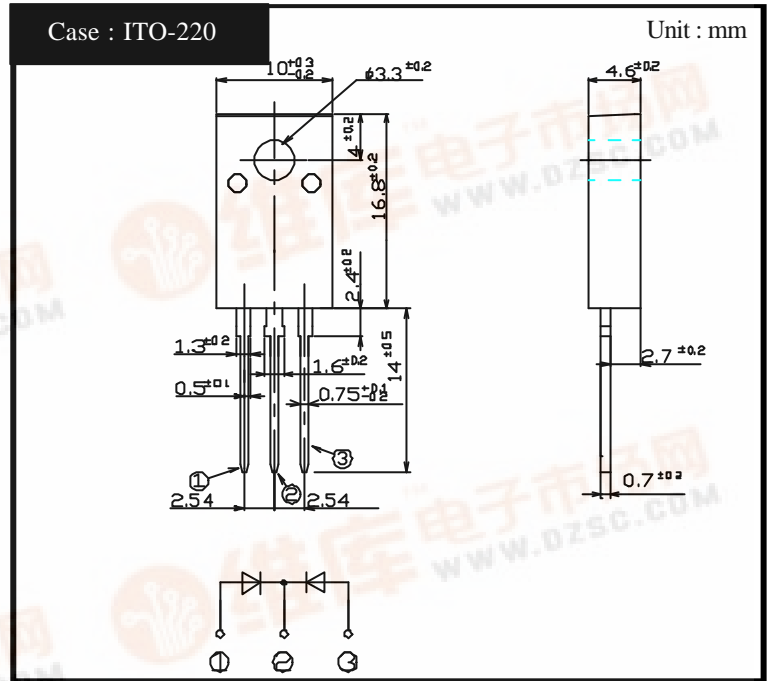
### FEATURES

- Tj150
- P<sub>RRSM</sub> avalanche guaranteed
- Fully Isolated Molding

### APPLICATION

- Switching power supply
- DC/DC converter
- Home Appliances, Office Equipment
- Telecommunication

### OUTLINE DIMENSIONS



### RATINGS

Absolute Maximum Ratings (If not specified T<sub>c</sub>=25 )

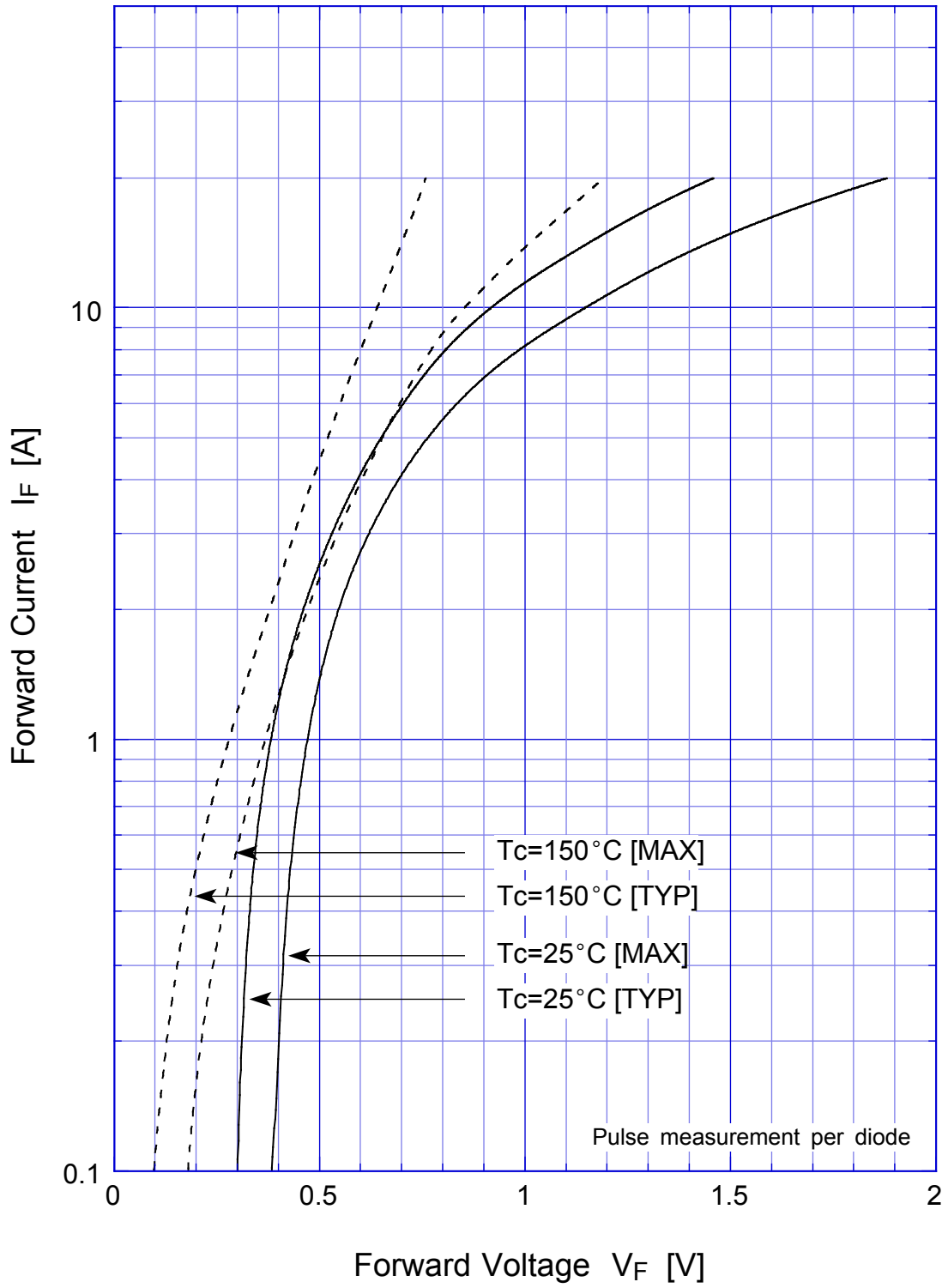
Item	Symbol	Conditions	Ratings	Unit
Storage Temperature	T <sub>stg</sub>		-40 ~ 150	
Operating Junction Temperature	T <sub>j</sub>		150	
Maximum Reverse Voltage	V <sub>RM</sub>		90	V
Repetitive Peak Surge Reverse Voltage	V <sub>RRSM</sub>	Pulse width 0.5ms, duty 1/40	100	V
Average Rectified Forward Current	I <sub>o</sub>	50Hz sine wave, R-load, Rating for each diode I <sub>o</sub> /2, T <sub>c</sub> =111	10	A
Peak Surge Forward Current	I <sub>FSM</sub>	50Hz sine wave, Non-repetitive 1 cycle peak value, T <sub>j</sub> =125	100	A
Repetitive Peak Surge Reverse Power	P <sub>RRSM</sub>	Pulse width 10 μs, Rating of per diode, T <sub>j</sub> =25	330	W
Dielectric Strength	V <sub>dis</sub>	Terminals to case, AC 1 minute	1.5	kV
Mounting Torque	TOR	(Recommended torque :0.3N·m)	0.5	N·m

Electrical Characteristics (If not specified T<sub>c</sub>=25 )

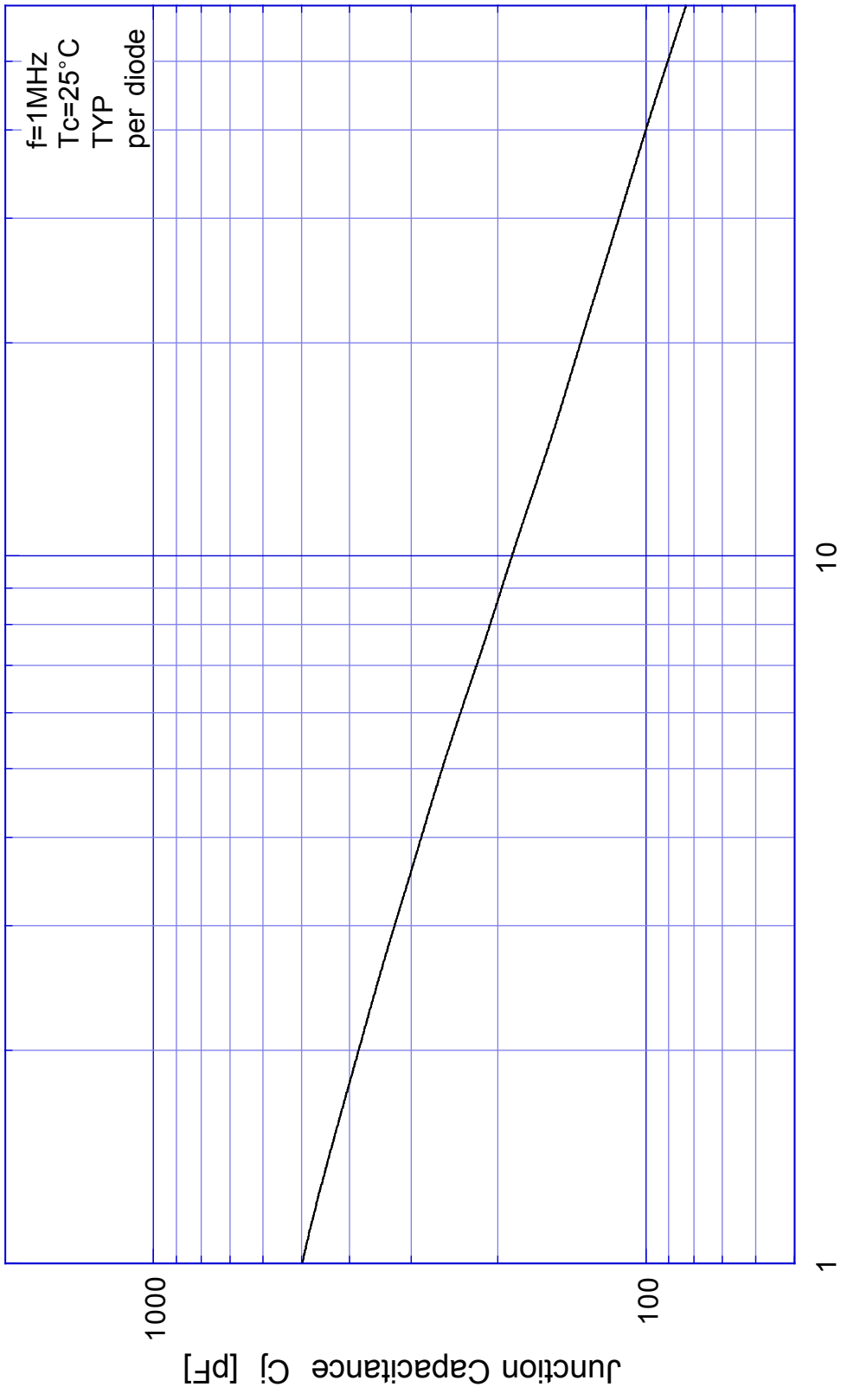
Item	Symbol	Conditions	Ratings	Unit
Forward Voltage	V <sub>F</sub>	I <sub>F</sub> =5A, Pulse measurement, Rating of per diode	Max.0.75	V
Reverse Current	I <sub>R</sub>	V <sub>R</sub> =V <sub>RM</sub> , Pulse measurement, Rating of per diode	Max.3	mA
Junction Capacitance	C <sub>j</sub>	f=1MHz, V <sub>R</sub> =10V, Rating of per diode	Typ.185	pF
Thermal Resistance	i <sub>c</sub>	junction to case	Max.3.3	/W
	cf	case to heatsink, Mounting torque=0.5N·m	Max.1.5	
	jf	junction to heatsink	Max.4.8	



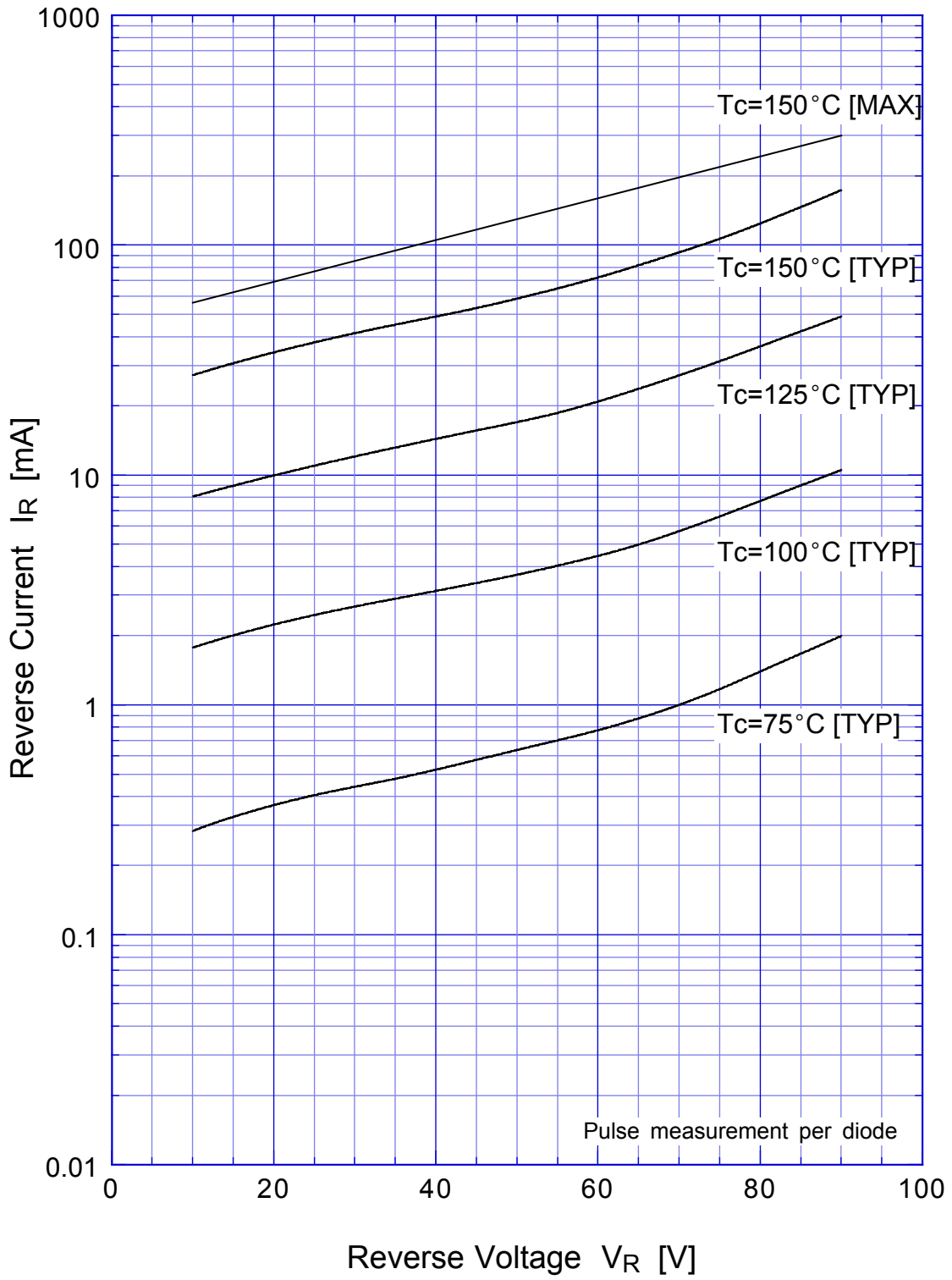
# D10SC9M Forward Voltage



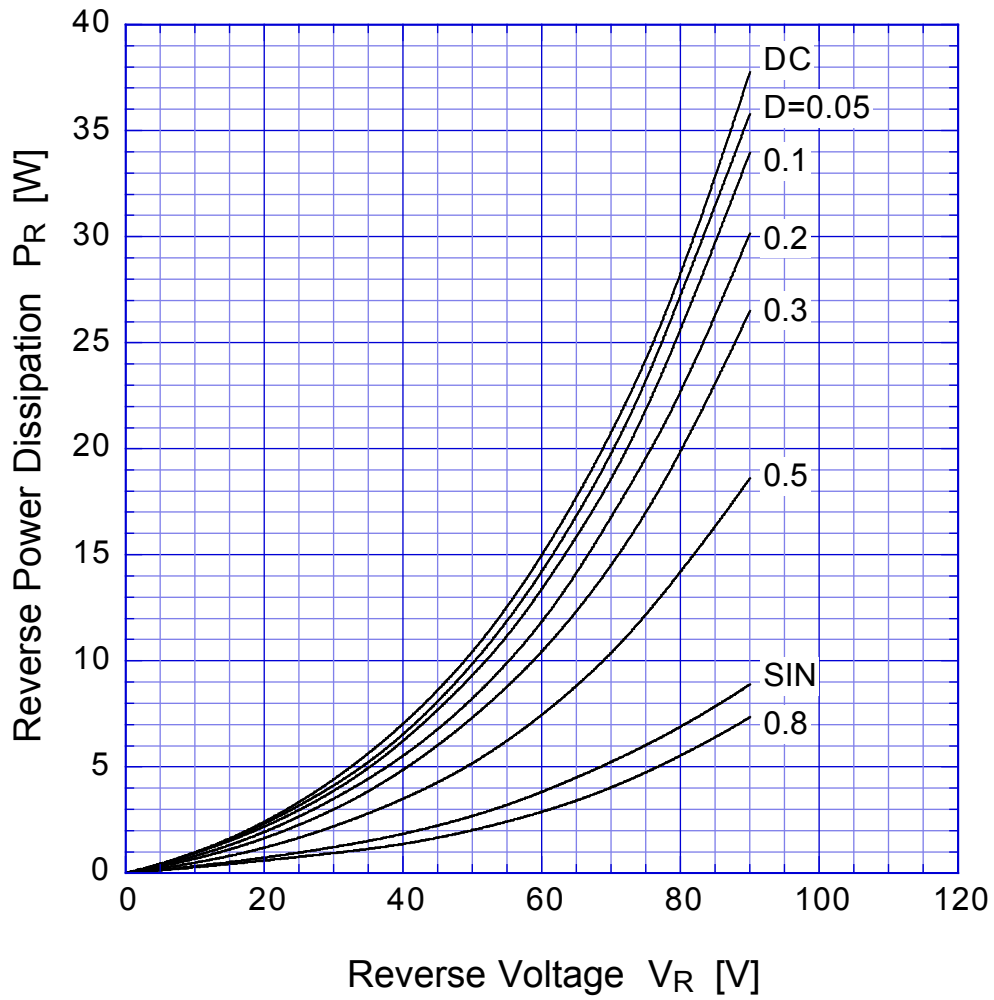
# D10SC9M Junction Capacitance



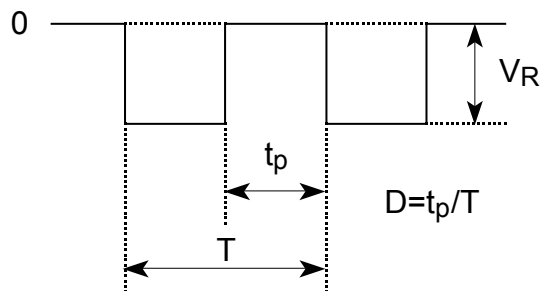
# D10SC9M Reverse Current



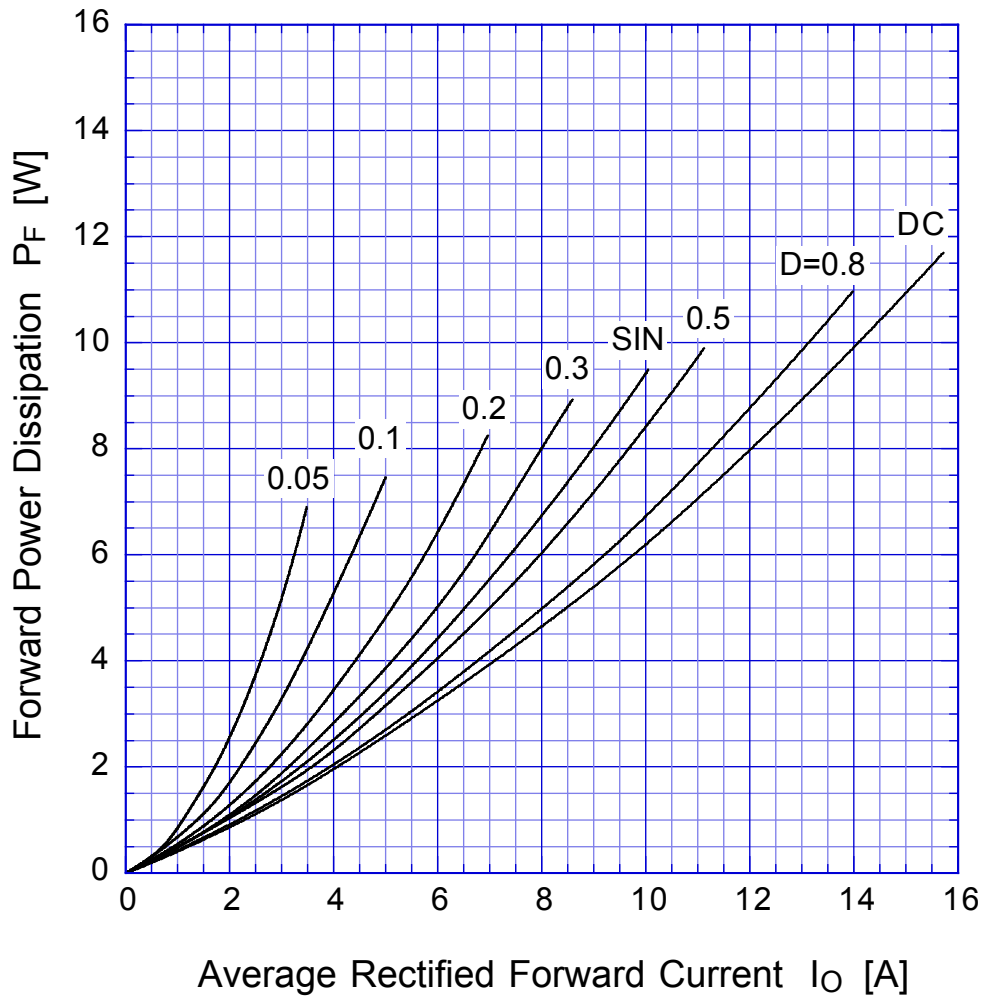
# D10SC9M Reverse Power Dissipation



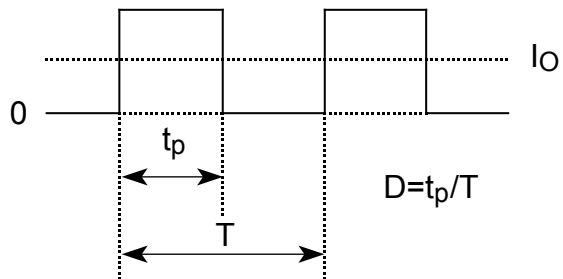
$T_j = 150^\circ\text{C}$



# D10SC9M Forward Power Dissipation

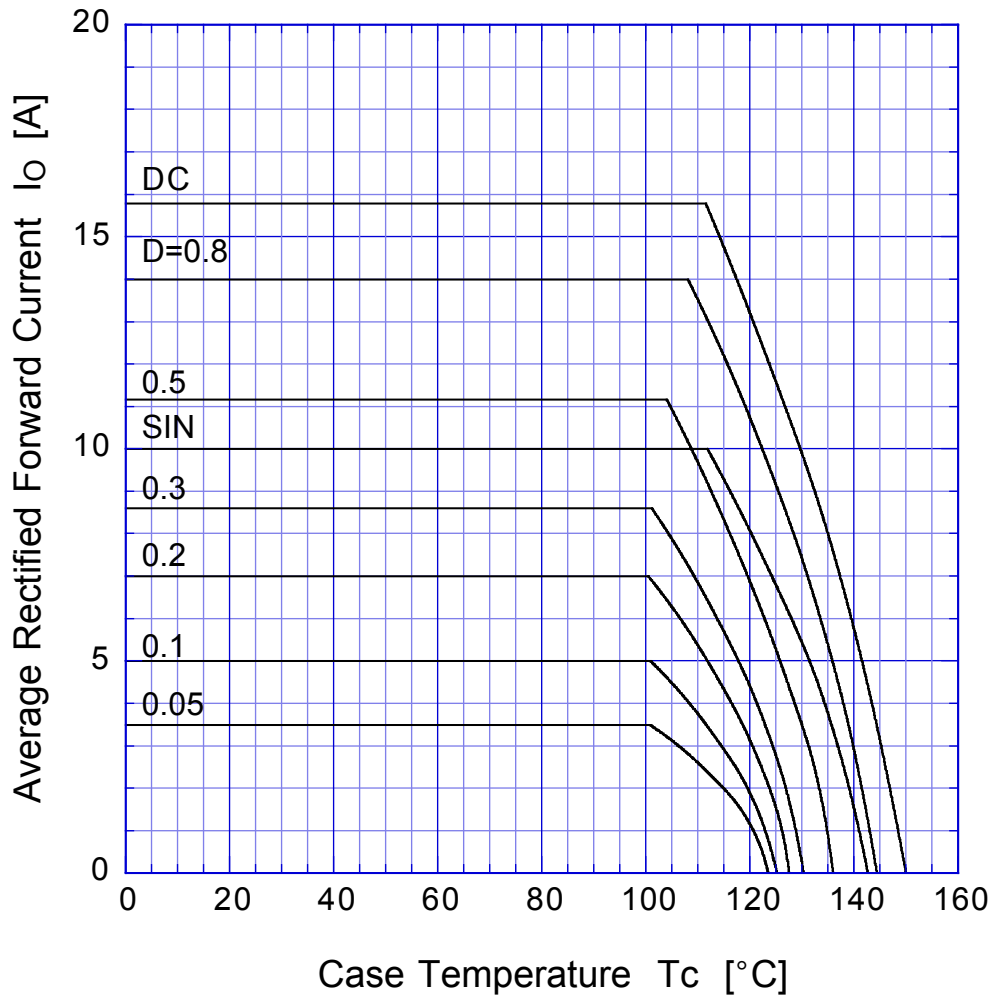


$T_j = 150^\circ\text{C}$

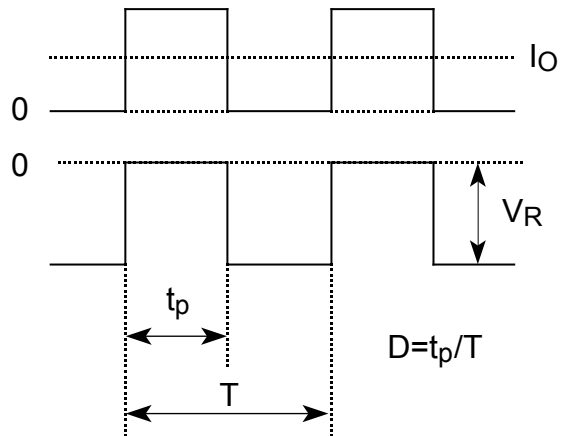


# D10SC9M

# Derating Curve

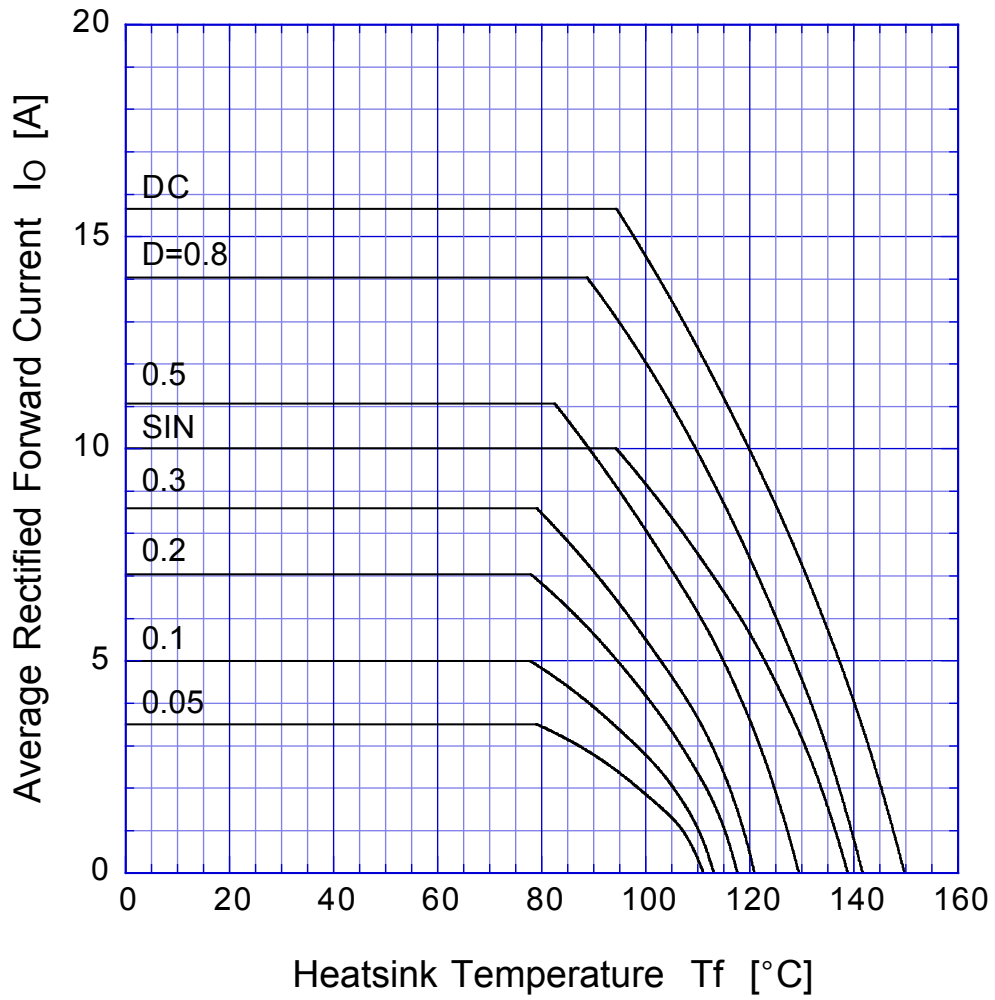


$V_R = 45V$

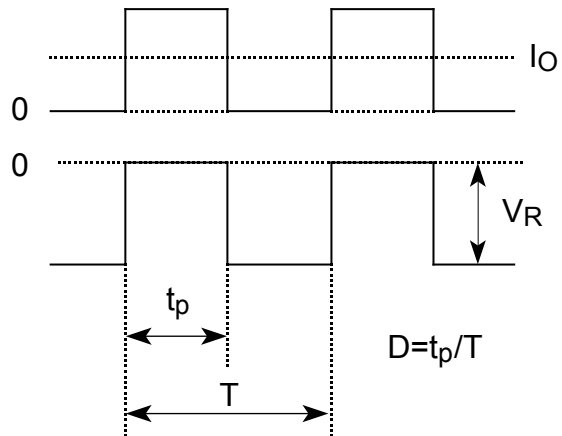


# D10SC9M

# Derating Curve

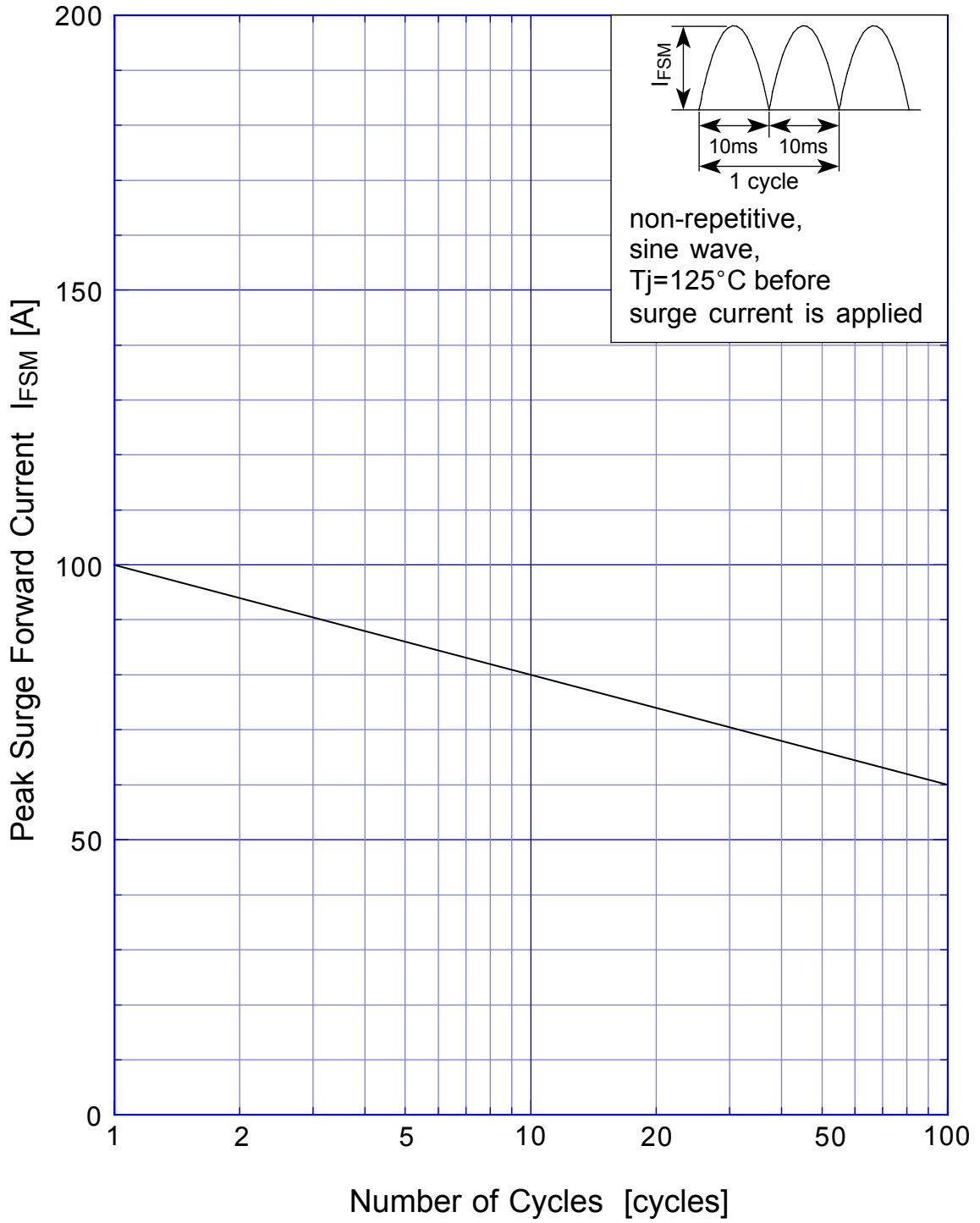


$V_R = 45V$

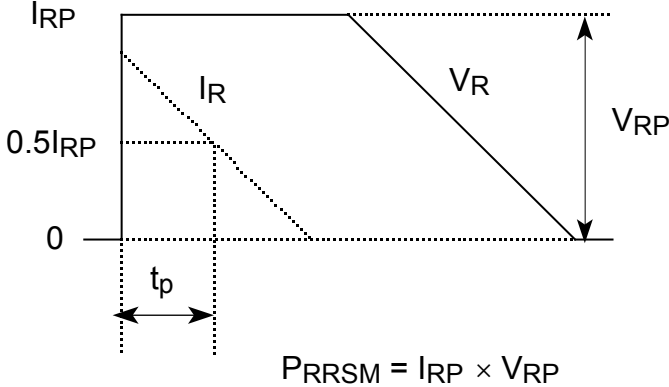
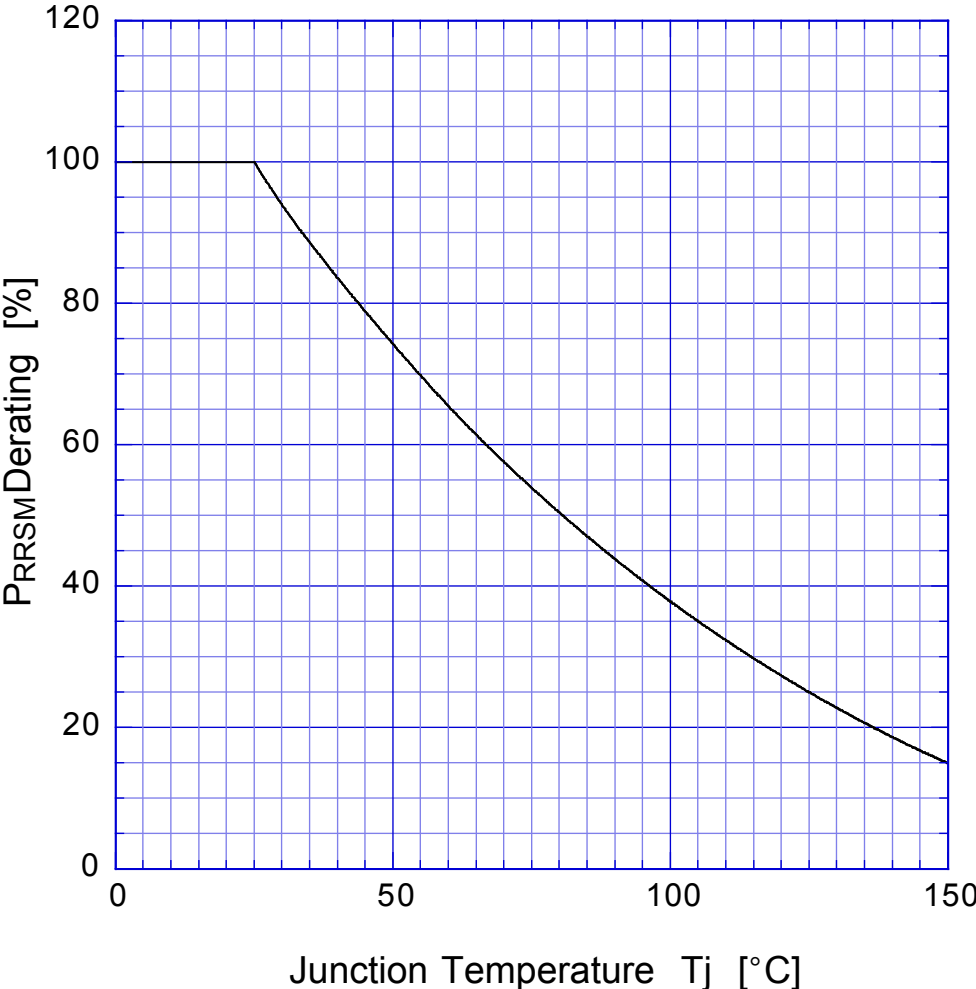




# D10SC9M Peak Surge Forward Capability



# SBD Repetitive Surge Reverse Power Derating Curve



# SBD

## Repetitive Surge Reverse Power Capability

