

SHINDENGEN

Schottky Rectifiers (SBD)

Single

D1NS6

60V 1A

FEATURES

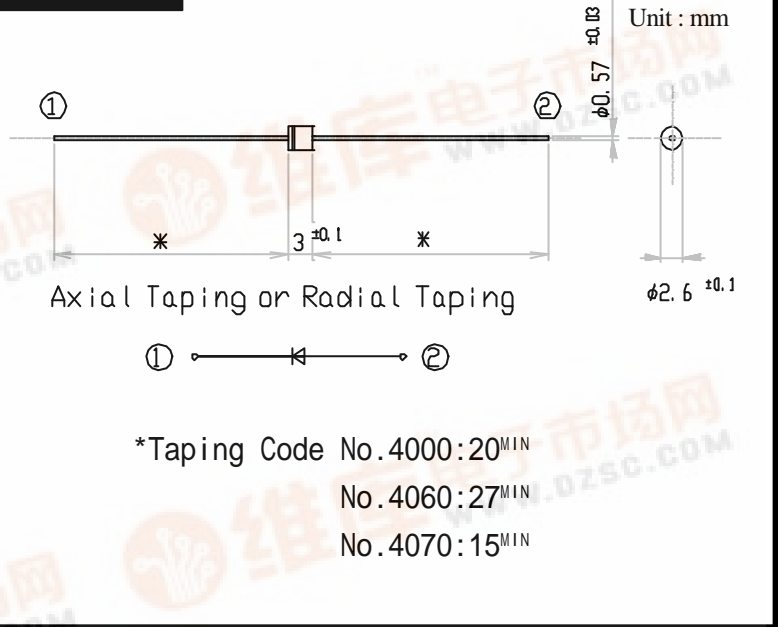
- Tj150
- P_{RRSM} avalanche guaranteed
- 5 mm pitch mounting applicable

APPLICATION

- Switching power supply
- DC/DC converter
- Home Appliances, Office Equipment
- Telecommunication

OUTLINE DIMENSIONS

Case : AX057



RATINGS

Absolute Maximum Ratings (If not specified Tl=25)

Item	Symbol	Conditions	Ratings	Unit
Storage Temperature	T _{stg}		-55 ~ 150	
Operating Junction Temperature	T _j		150	
Maximum Reverse Voltage	V _{RM}		60	V
Repetitive Peak Surge Reverse Voltage	V _{RRSM}	Pulse width 0.5ms, duty 1/40	65	V
Average Rectified Forward Current	I _O	50Hz sine wave, T _a =46	1	A
Peak Surge Forward Current	I _{FSM}	50Hz sine wave, Non-repetitive 1 cycle peak value, T _j =25	30	A
Repetitive Peak Surge Reverse Power	P _{RRSM}	Pulse width 10 μs, T _j =25	60	W

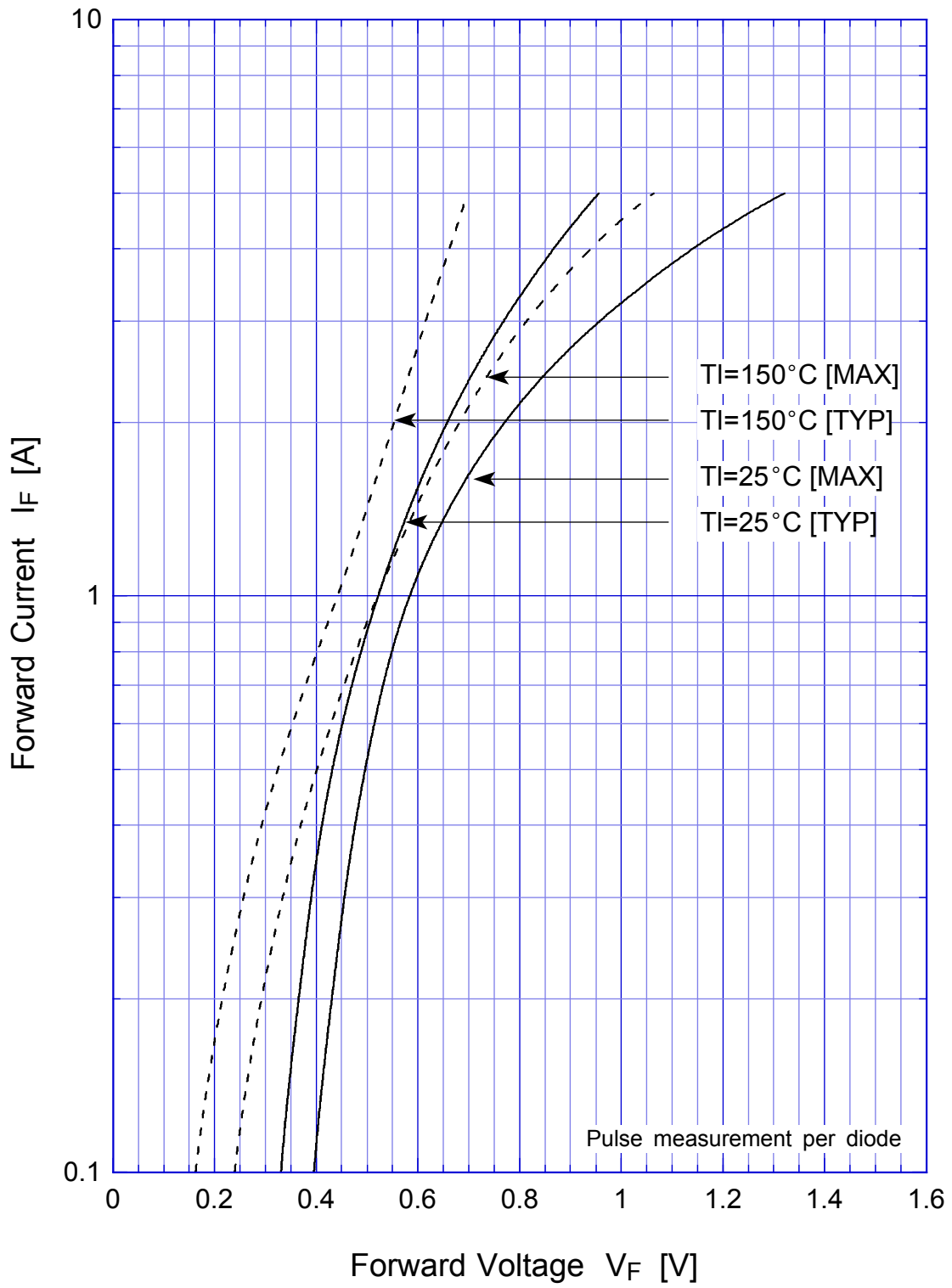
Electrical Characteristics (If not specified Tl=25)

Item	Symbol	Conditions	Ratings	Unit
Forward Voltage	V _F	I _F =1A, Pulse measurement	Max.0.58	V
Reverse Current	I _R	V _R =V _{RM} , Pulse measurement	Max.1	mA
Junction Capacitance	C _j	f=1MHz, V _R =10V	Typ.53	pF
Thermal Resistance	j-l	junction to lead	Max.10	/W
	j-a	junction to ambient	Max.113	



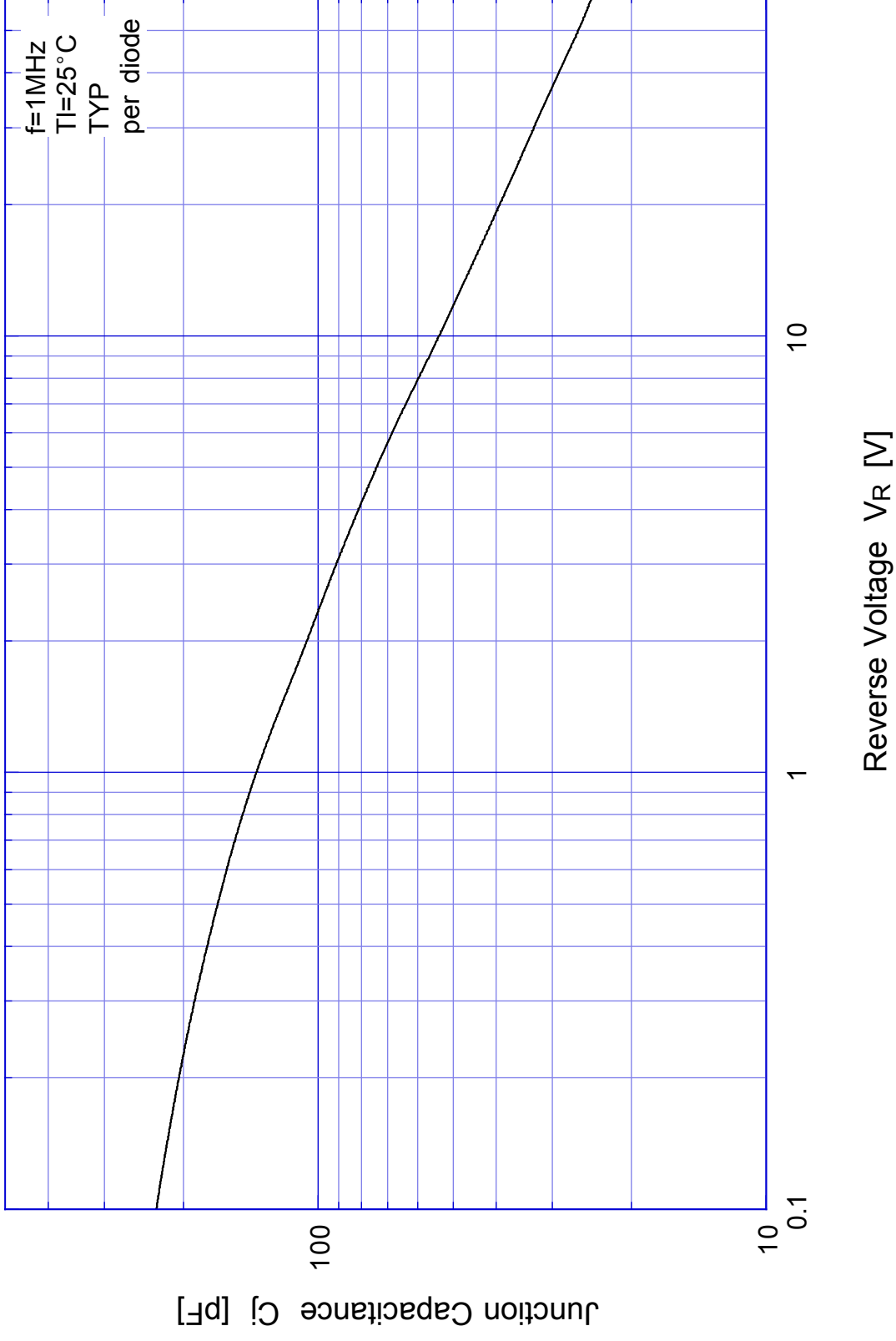
D1NS6

Forward Voltage



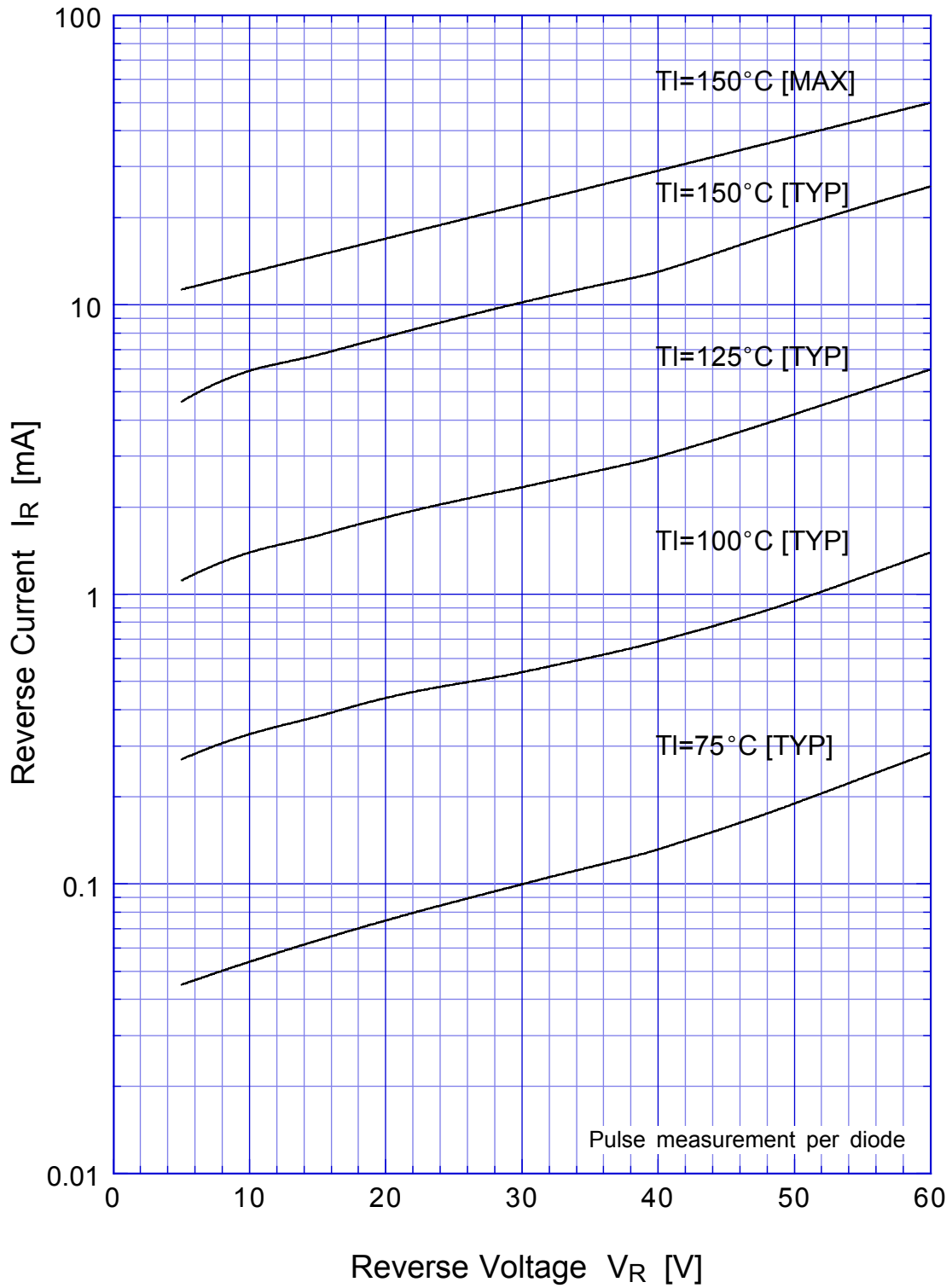
D1NS6

Junction Capacitance



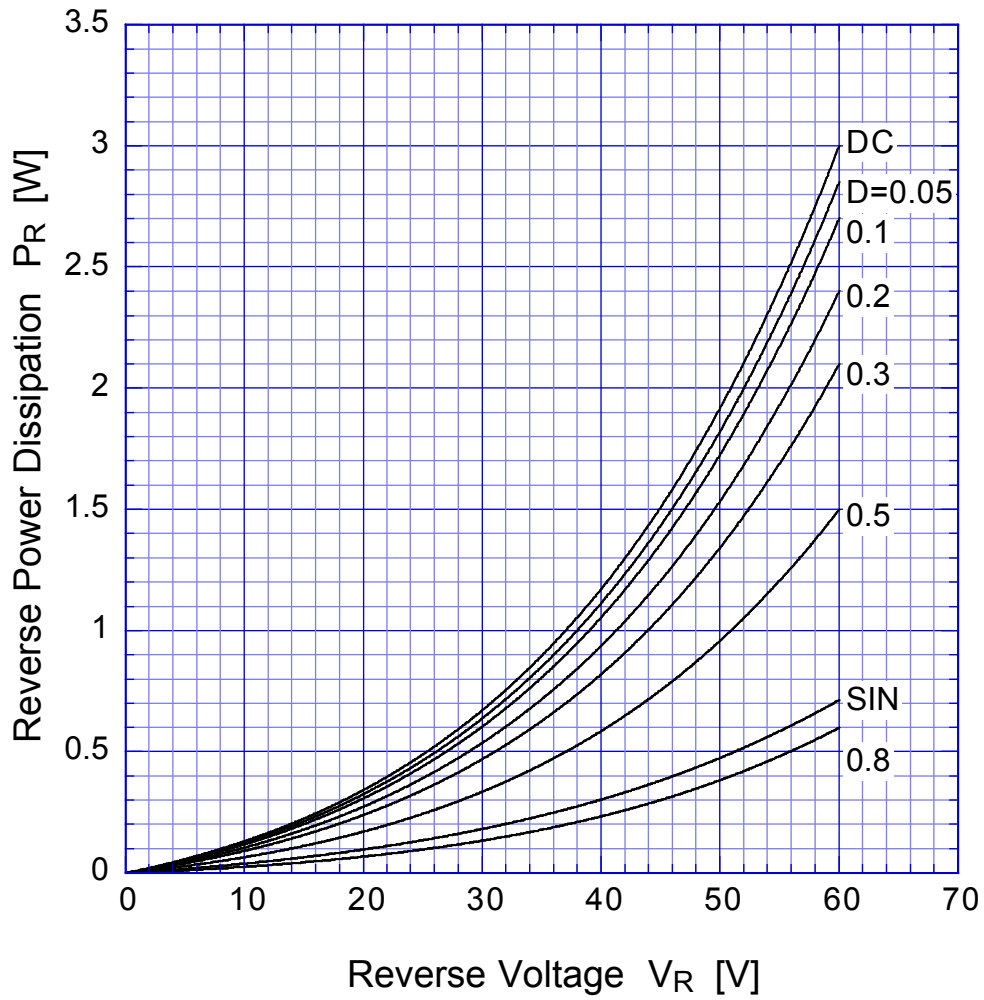
D1NS6

Reverse Current

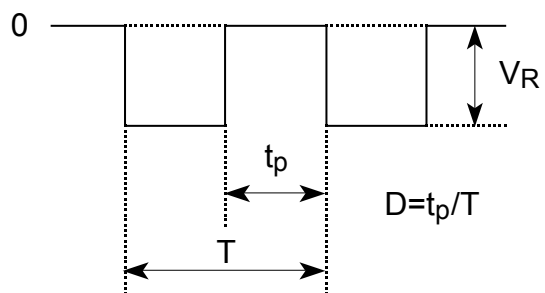


D1NS6

Reverse Power Dissipation

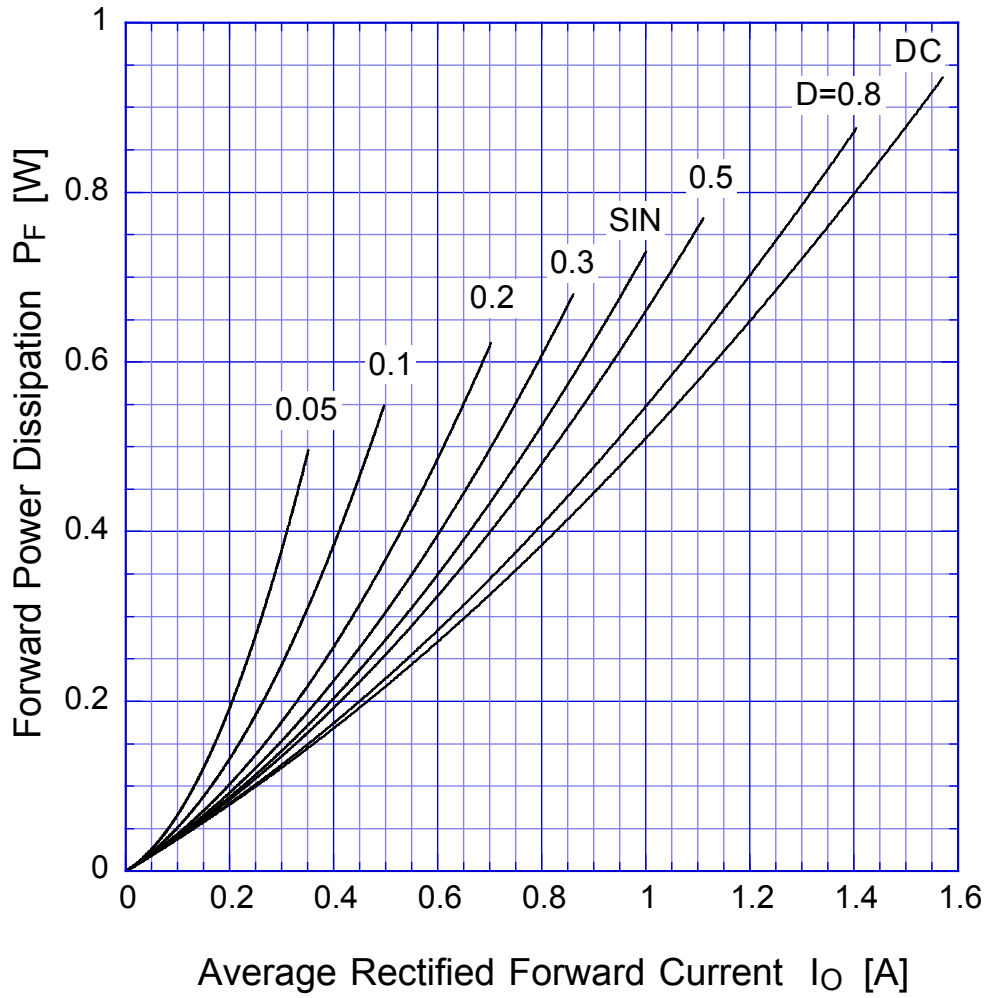


$T_j = 150^\circ\text{C}$

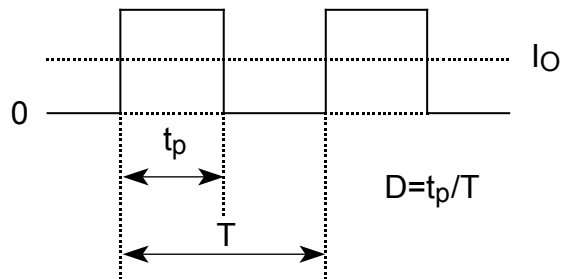


D1NS6

Forward Power Dissipation

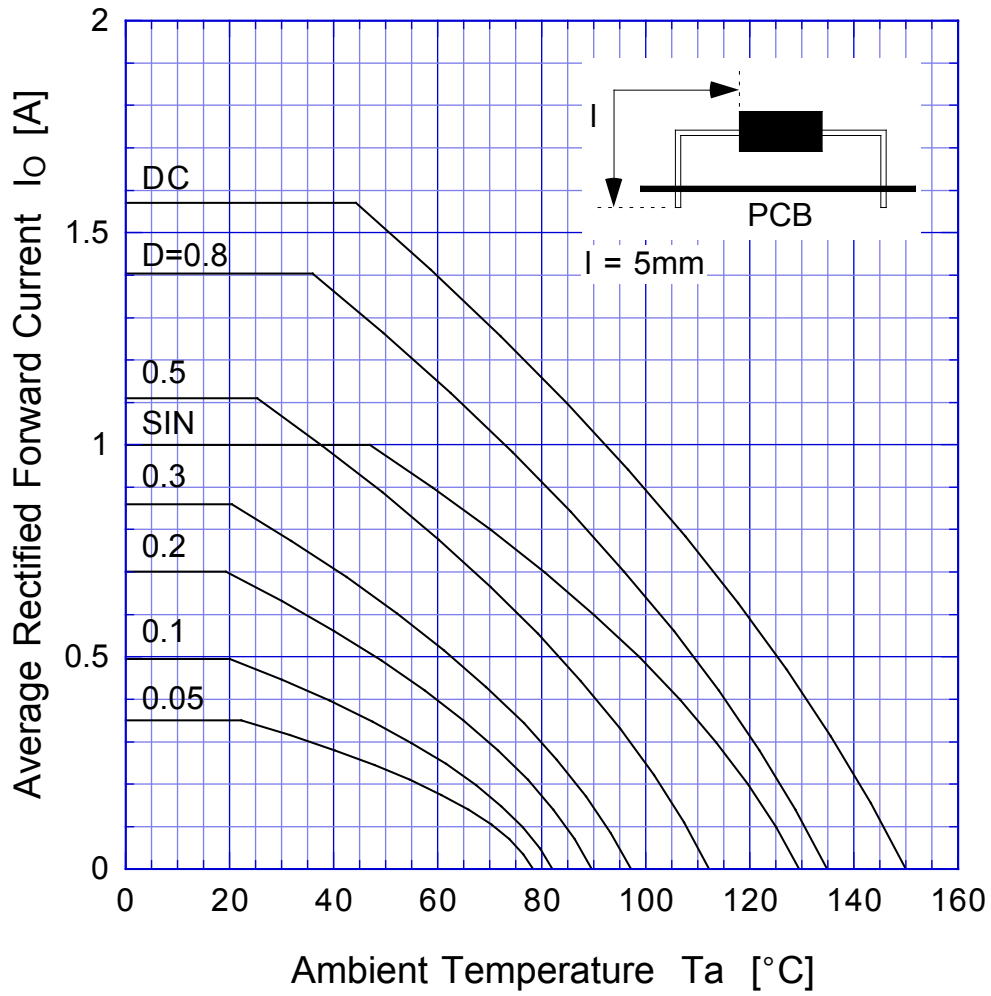


$T_j = 150^\circ\text{C}$

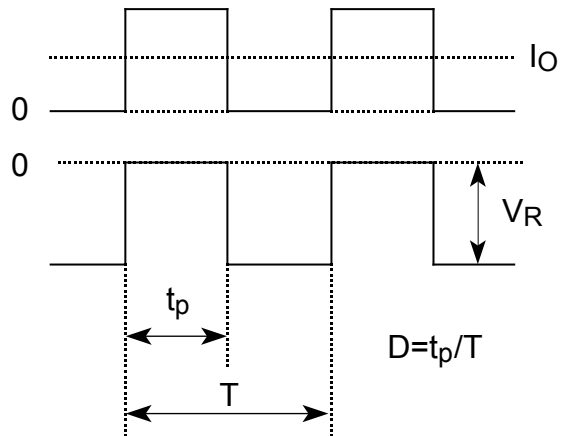


D1NS6

Derating Curve

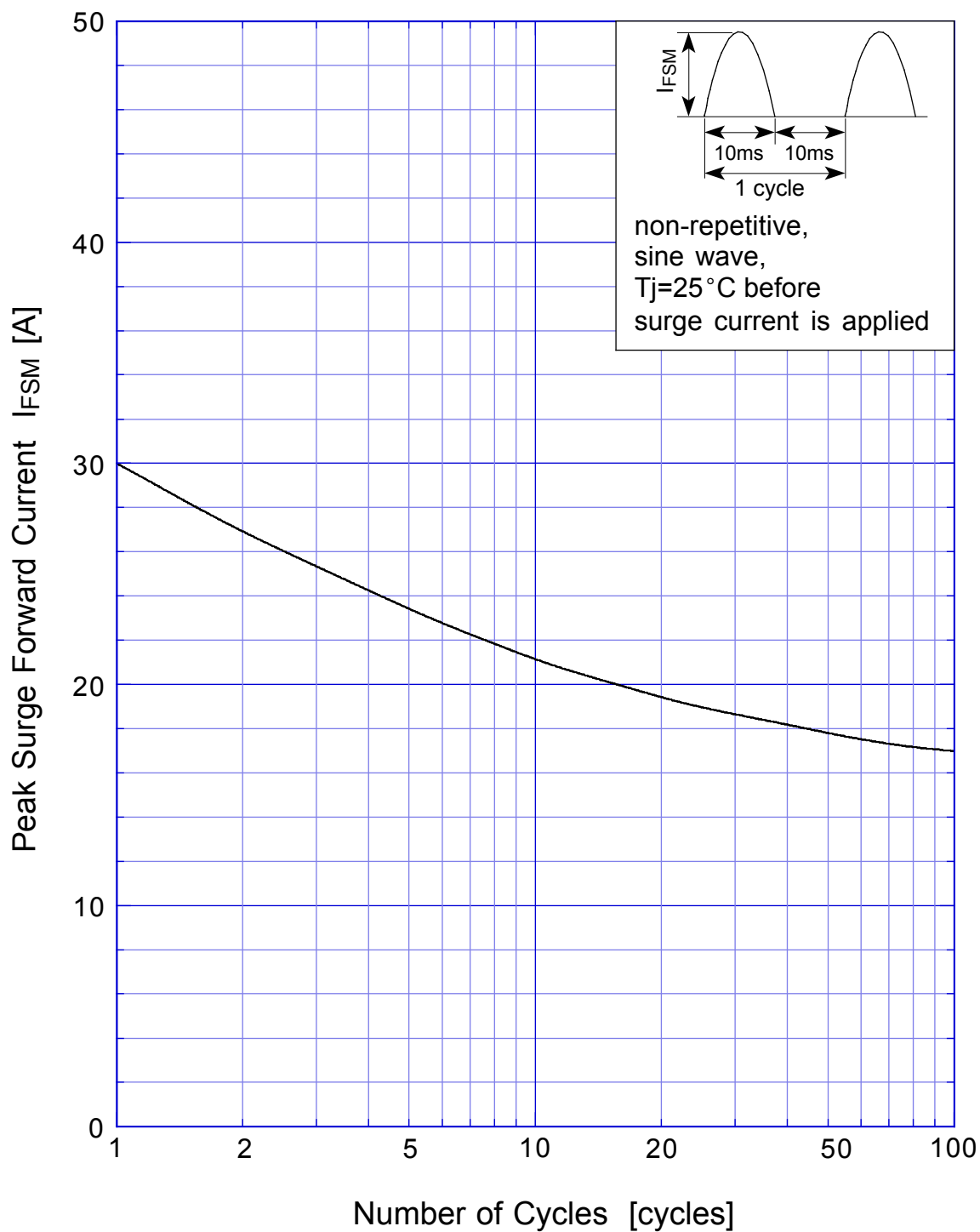


$V_R = 30\text{V}$

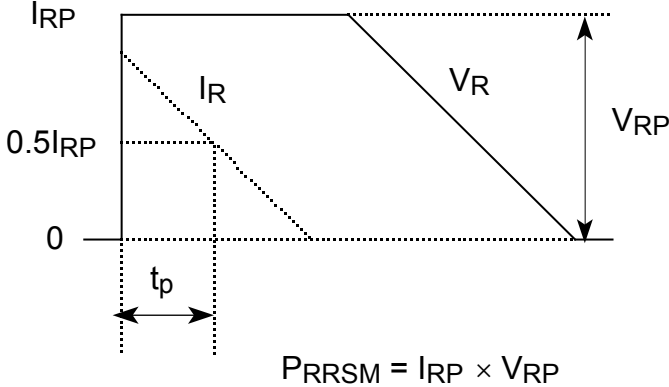
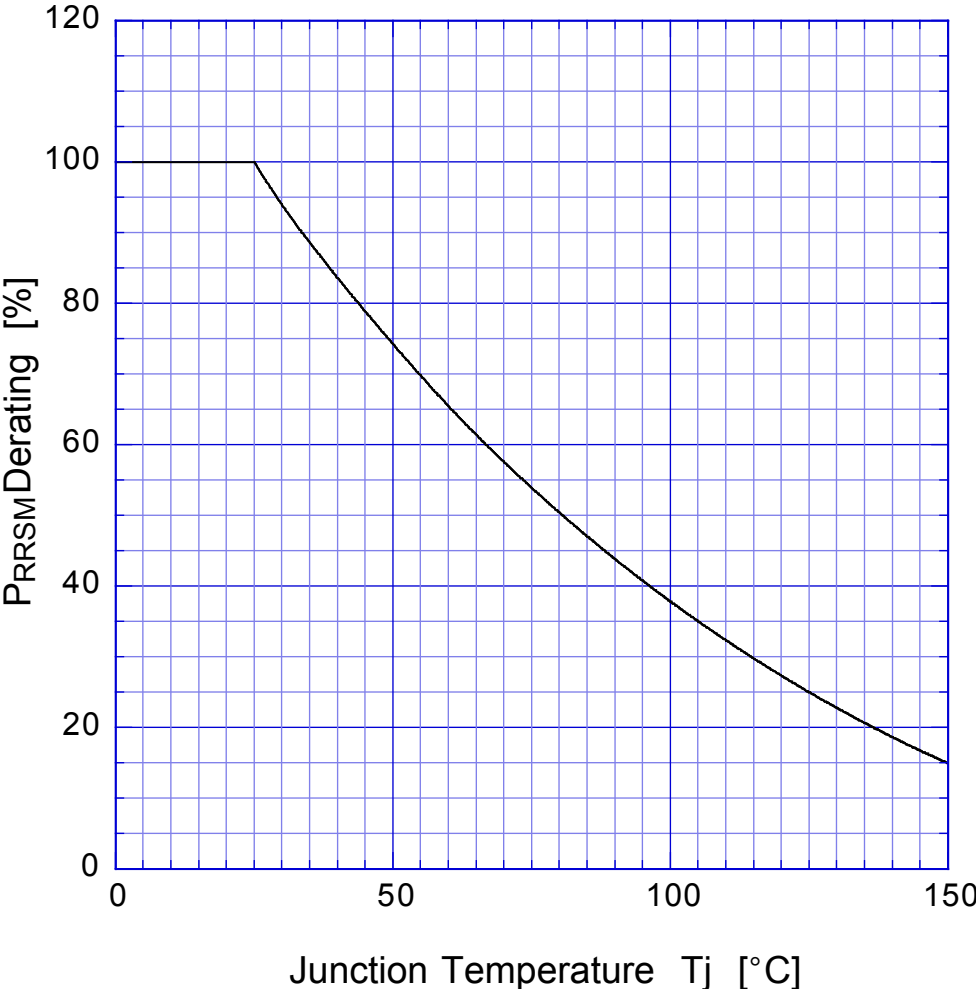


D1NS6

Peak Surge Forward Capability



SBD Repetitive Surge Reverse Power Derating Curve



SBD

Repetitive Surge Reverse Power Capability

