

SHINDENGEN

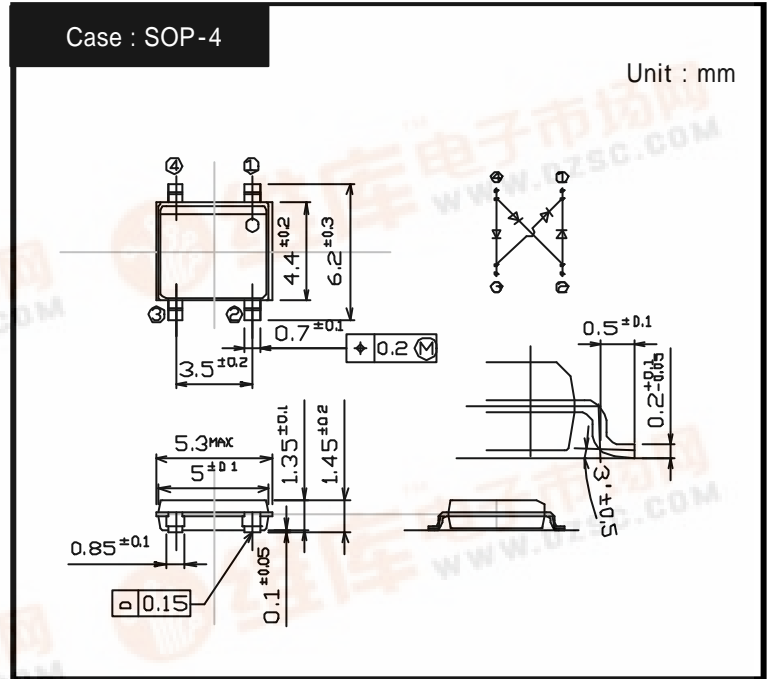
General Purpose Rectifiers

SMT Bridges

D1UB80

800V 1A

OUTLINE DIMENSIONS



RATINGS

Absolute Maximum Ratings (If not specified Tc=25)

Item	Symbol	Conditions	Ratings	Unit
Storage Temperature	Tstg		-55 ~ 150	
Operating Junction Temperature	Tj		150	
Maximum Reverse Voltage	V _{RM}		800	V
Average Rectified Forward Current	I _O	50Hz sine wave, R-load, Ta=25	1	A
Peak Surge Forward Current	I _{FSM}	50Hz sine wave, Non-repetitive 1 cycle peak value, Tj=25	30	A
Current Squared Time	I ² _t	1ms t < 10ms Tj=25	3	A ² s

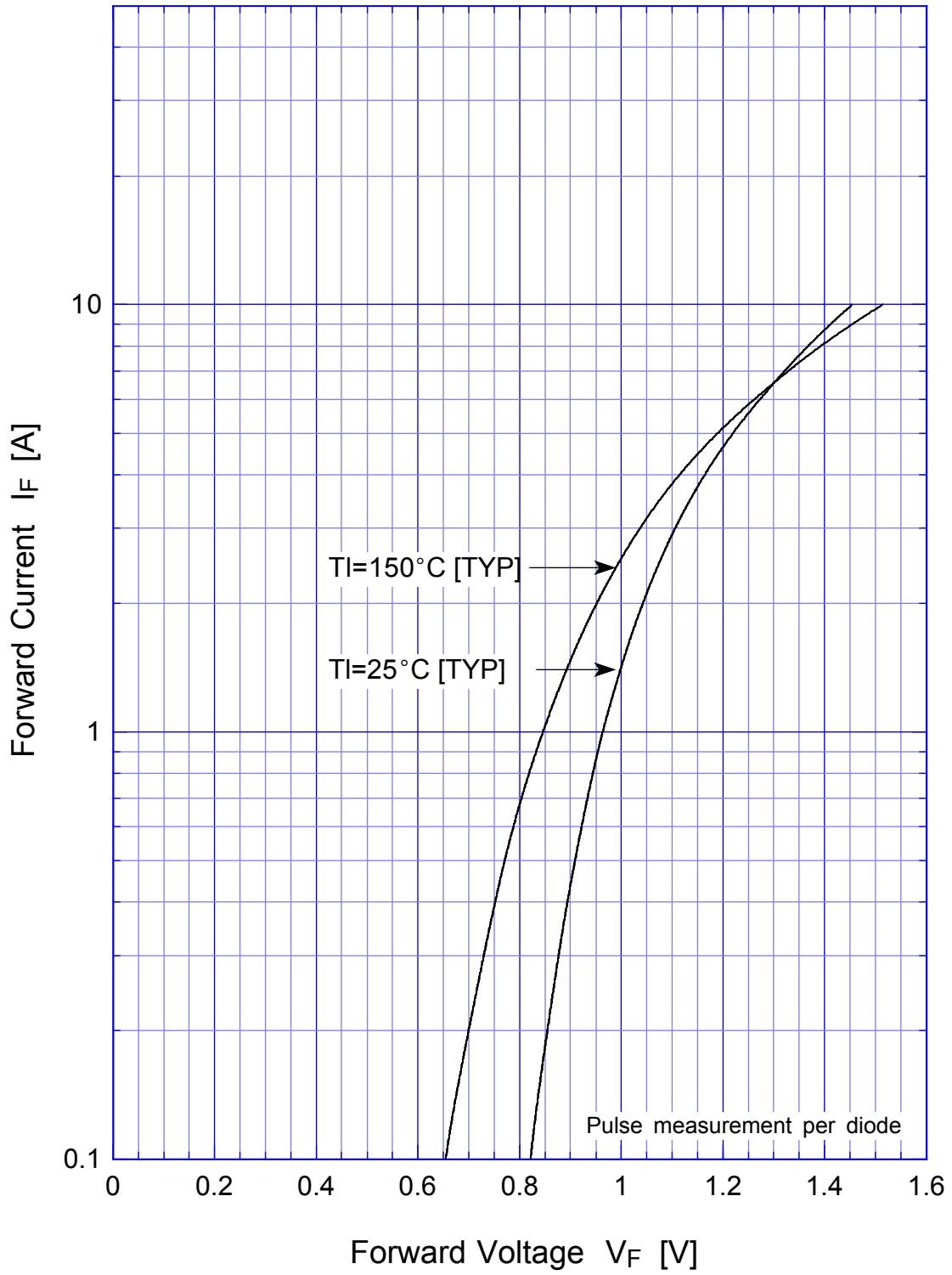
Electrical Characteristics (If not specified Tc=25)

Item	Symbol	Conditions	Ratings	Unit
Forward Voltage	V _F	I _F =0.4A, Pulse measurement, Rating of per diode	Max.0.95	V
Reverse Current	I _R	V _R =800v, Pulse measurement, Rating of per diode	Max.10	μA
Thermal Resistance	j-l	junction to lead Without heatsink	Max.25	/W
	j-a	junction to ambient Without heatsink	Max.62.5	/W



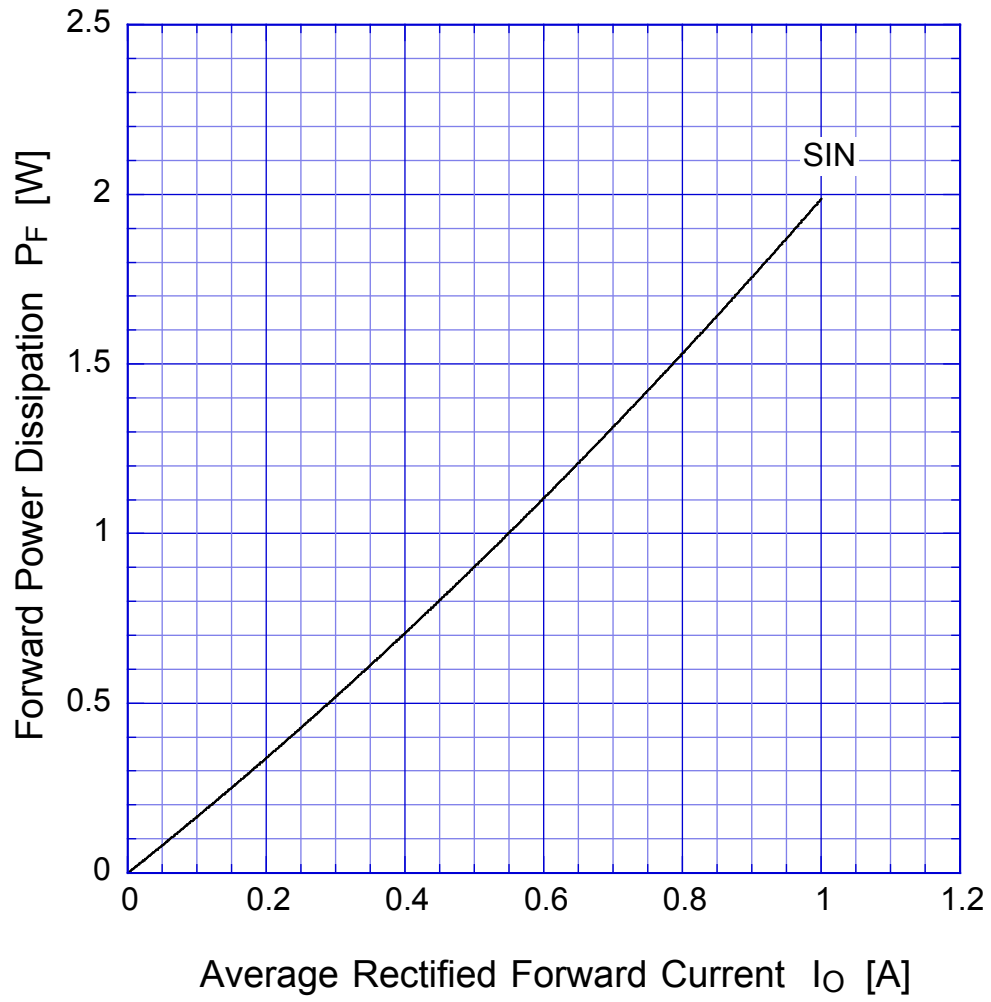
D1UB80

Forward Voltage



D1UB80

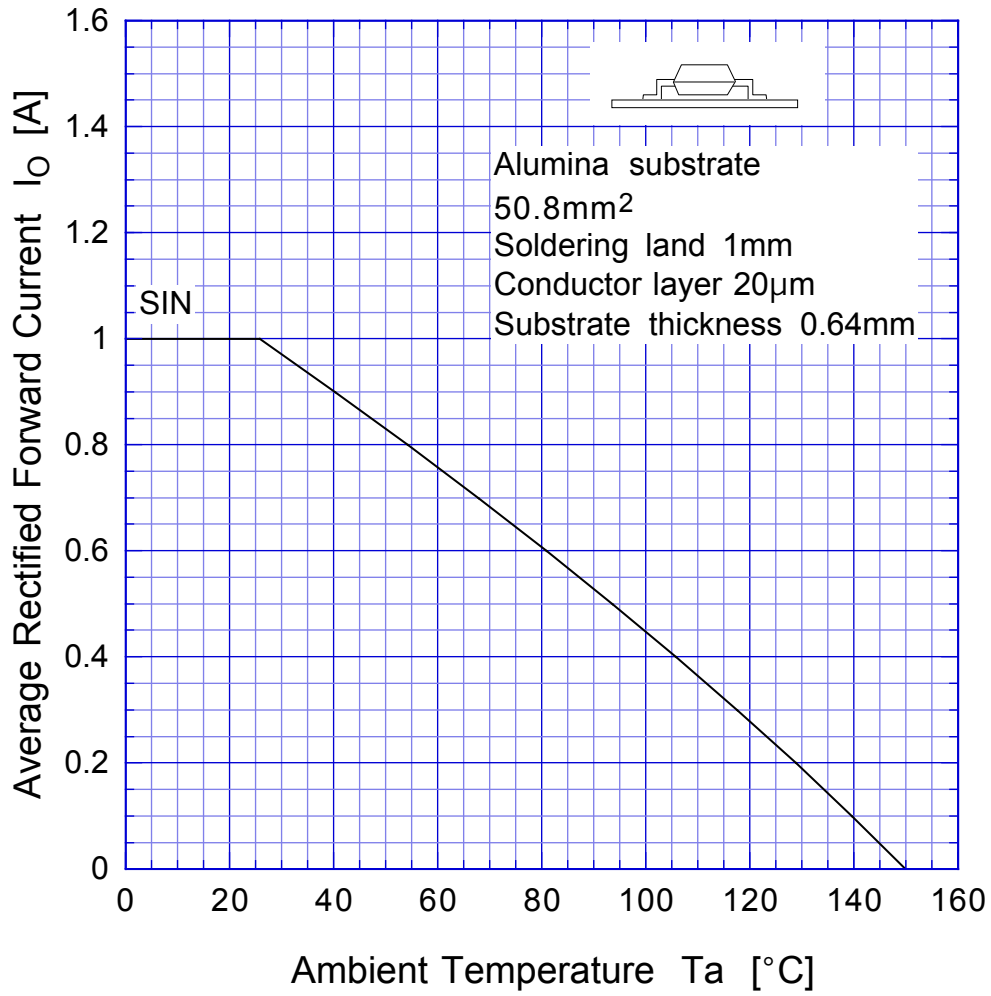
Forward Power Dissipation



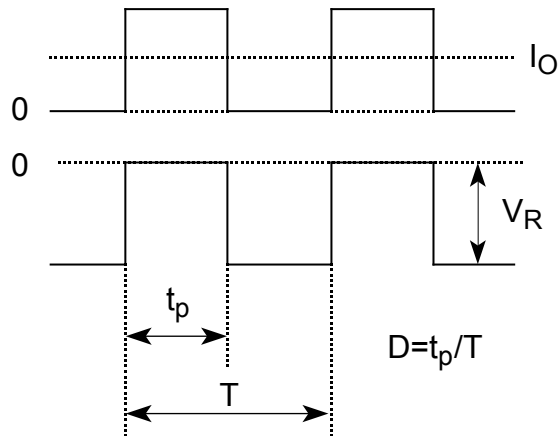
$T_j = 150^\circ\text{C}$
Sine wave

D1UB80

Derating Curve

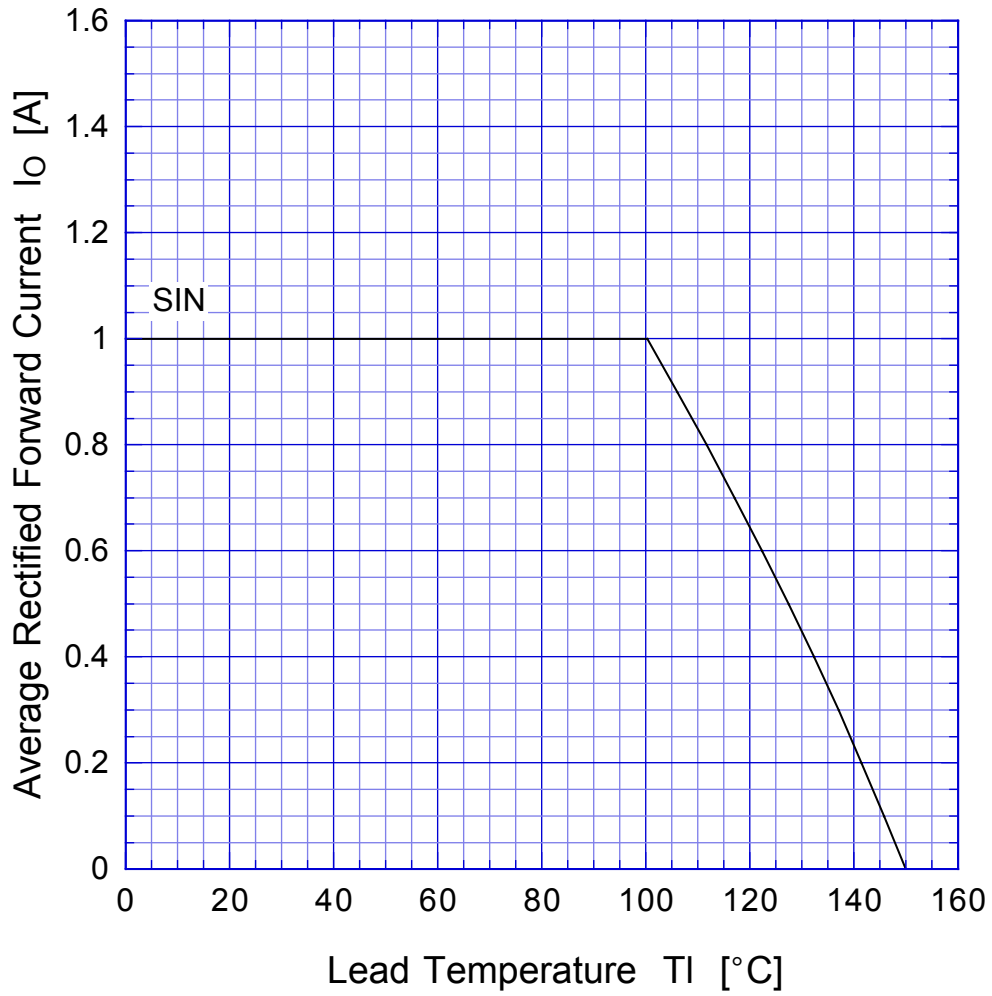


$$V_R = V_{RM}$$

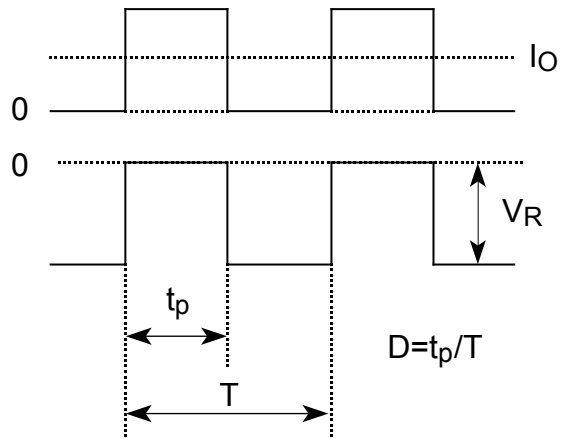


D1UB80

Derating Curve



$$V_R = V_{RM}$$



D1UB80

Peak Surge Forward Capability

