

SHINDENGEN

Super Fast Recovery Rectifiers

Single

D30L60

600V 30A

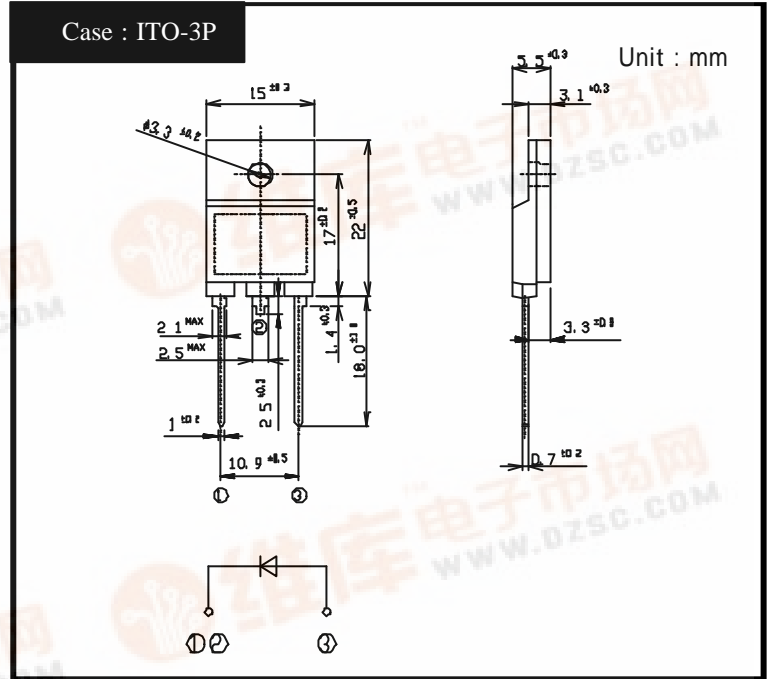
FEATURES

- Low noise
- trr150ns
- Fully Isolated Molding

APPLICATION

- Switching power supply
- Free Wheel
- Home Appliances, Office Equipment
- Factory Automation

OUTLINE DIMENSIONS



RATINGS

Absolute Maximum Ratings (If not specified Tc=25)

Item	Symbol	Conditions	Ratings	Unit
Storage Temperature	Tstg		-55 ~ 150	
Operating Junction Temperature	Tj		150	
Maximum Reverse Voltage	V _{RM}		600	V
Average Rectified Forward Current	I _o	50Hz sine wave, R-load, Tc=85	30	A
Peak Surge Forward Current	I _{FSM}	50Hz sine wave, Non-repetitive 1 cycle peak value, Tj=25	600	A
Dielectric Strength	V _{dis}	Terminals to case, AC 1 minute	1.5	kV
Mounting Torque	TOR	(Recommended torque :0.5N·m)	0.8	N·m

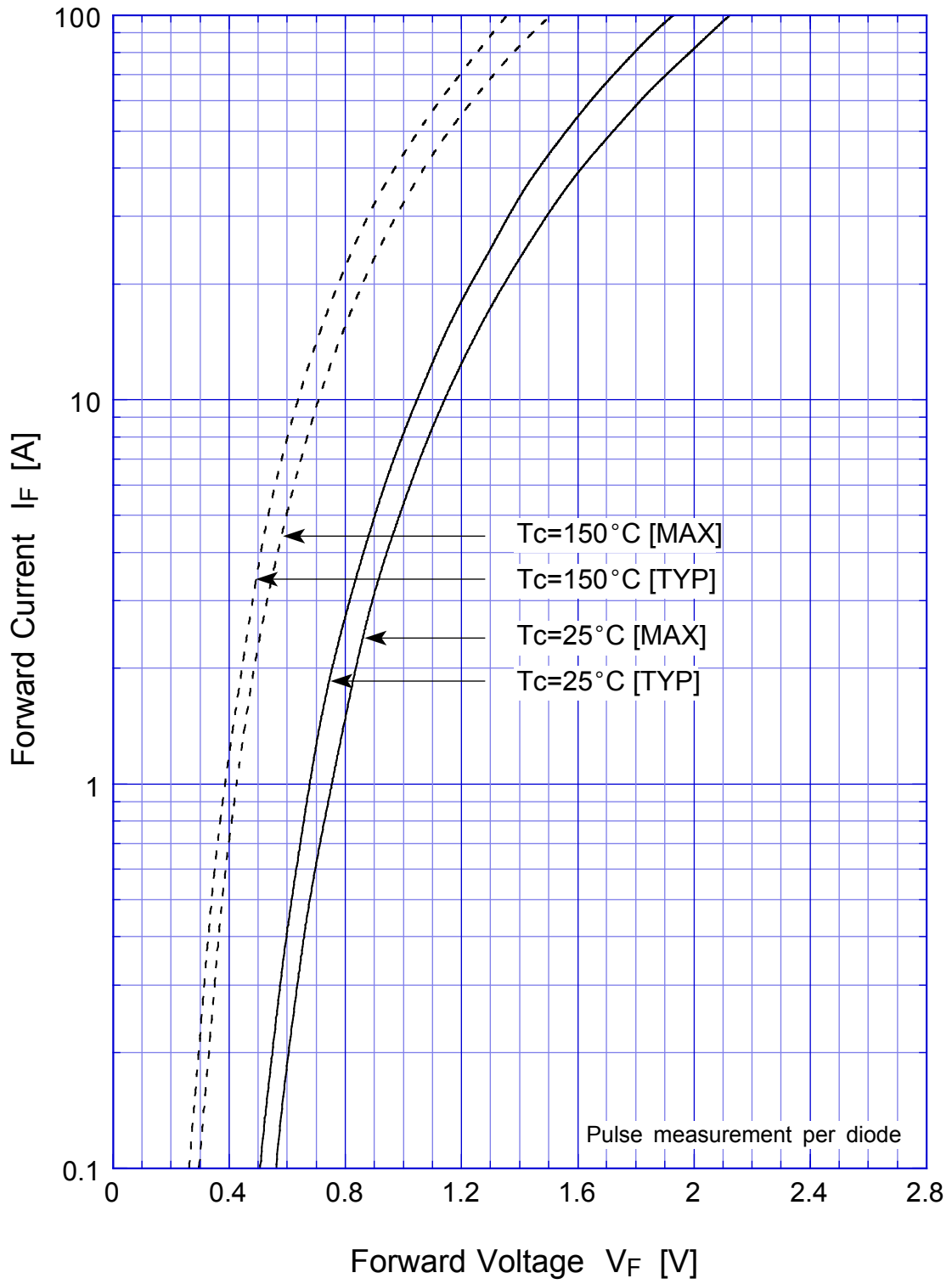
Electrical Characteristics (If not specified Tc=25)

Item	Symbol	Conditions	Ratings	Unit
Forward Voltage	V _F	I _F =30A, Pulse measurement	Max.1.5	V
Reverse Current	I _R	V _R =V _{RM} , Pulse measurement	Max.25	μA
Reverse Recovery Time	trr	I _F =0.5A, I _R =1.0A	MAX.150	ns
Thermal Resistance	jc	Junction to case	Max.1.4	/W



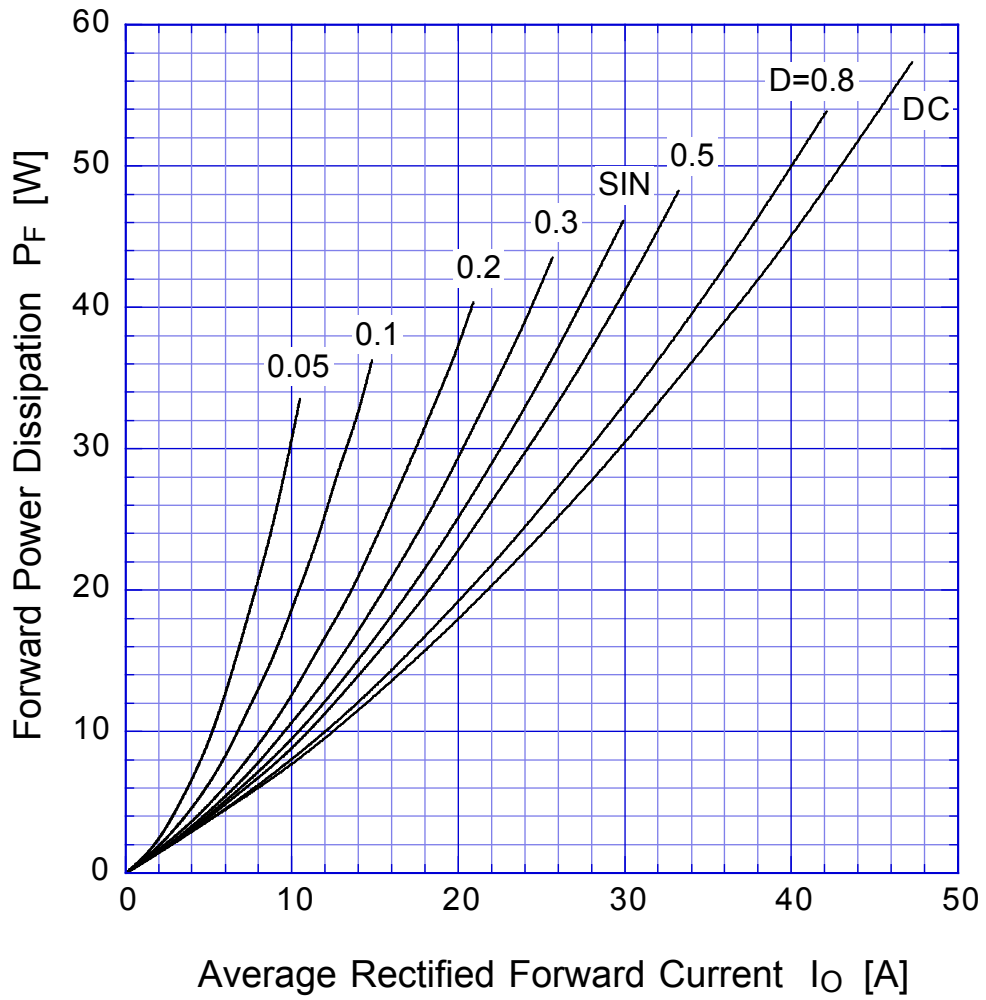
D30L60

Forward Voltage

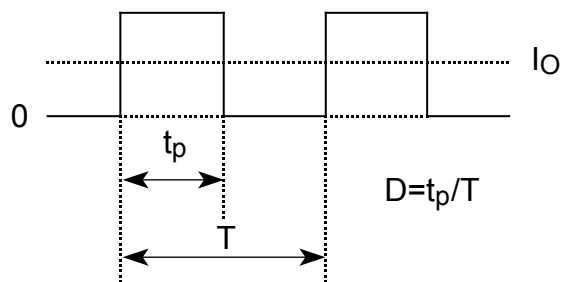


D30L60

Forward Power Dissipation

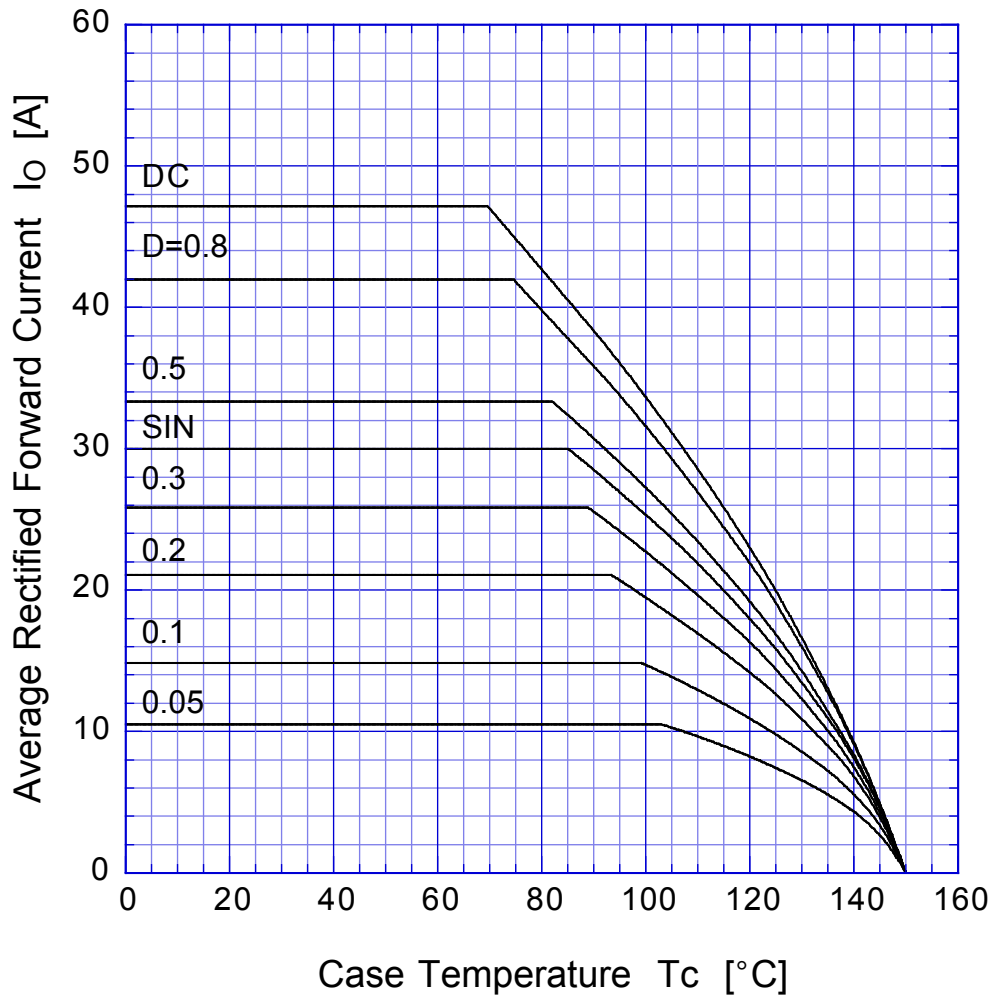


$T_j = 150^\circ\text{C}$

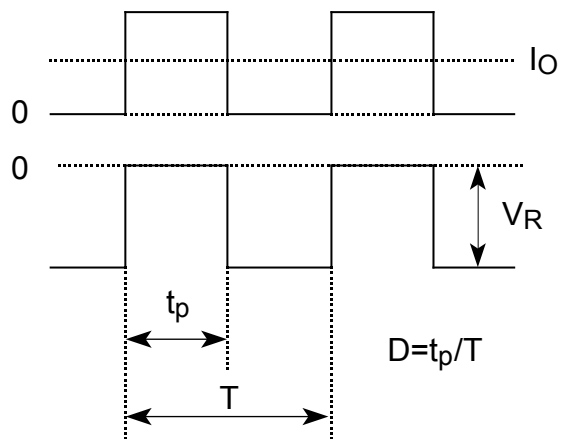


D30L60

Derating Curve

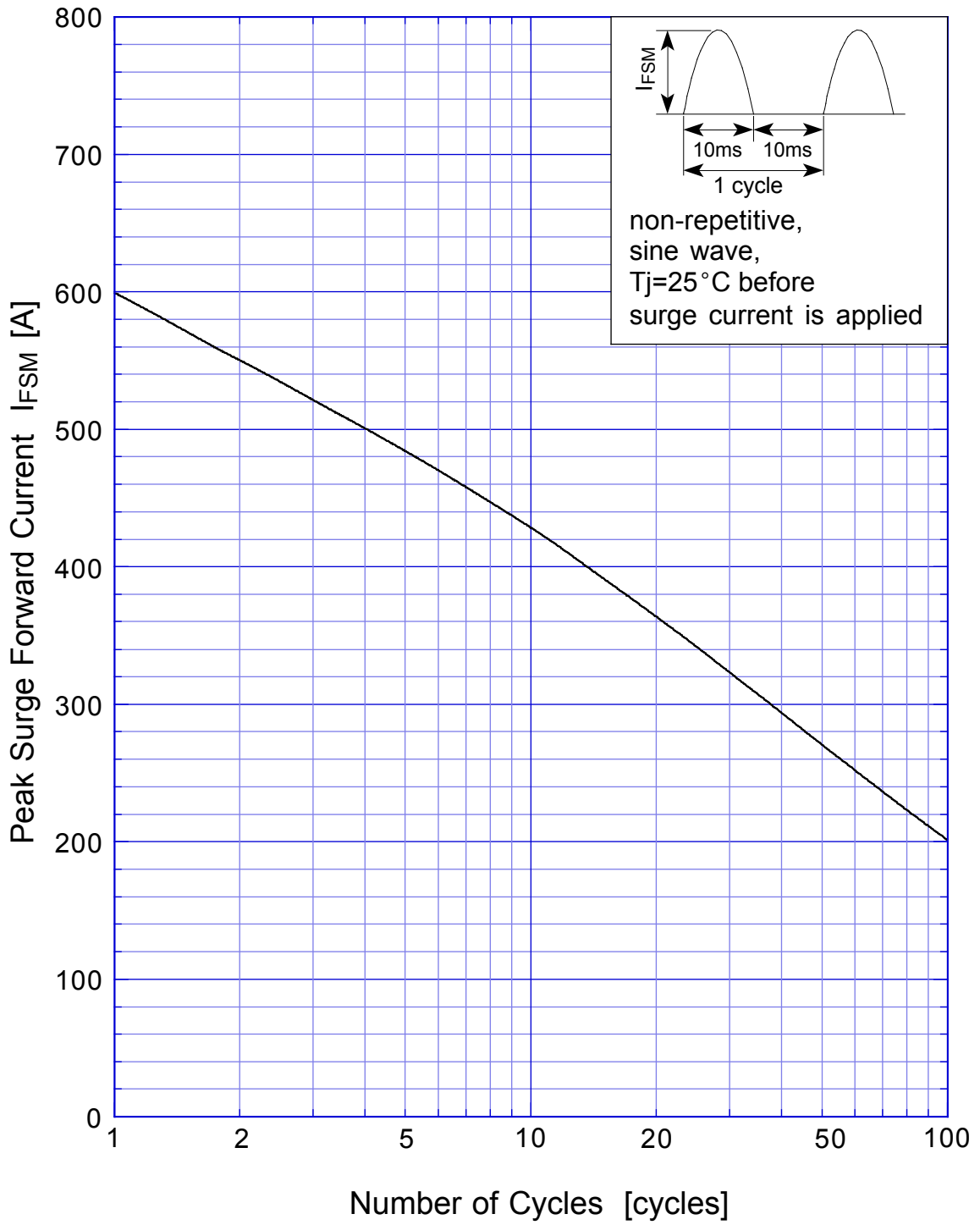


$$V_R = V_{RM}$$



D30L60

Peak Surge Forward Capability



D30L60 Junction Capacitance

