

SHINDENGEN

Super Fast Recovery Rectifiers

Dual

D5LD20U

200V 5A

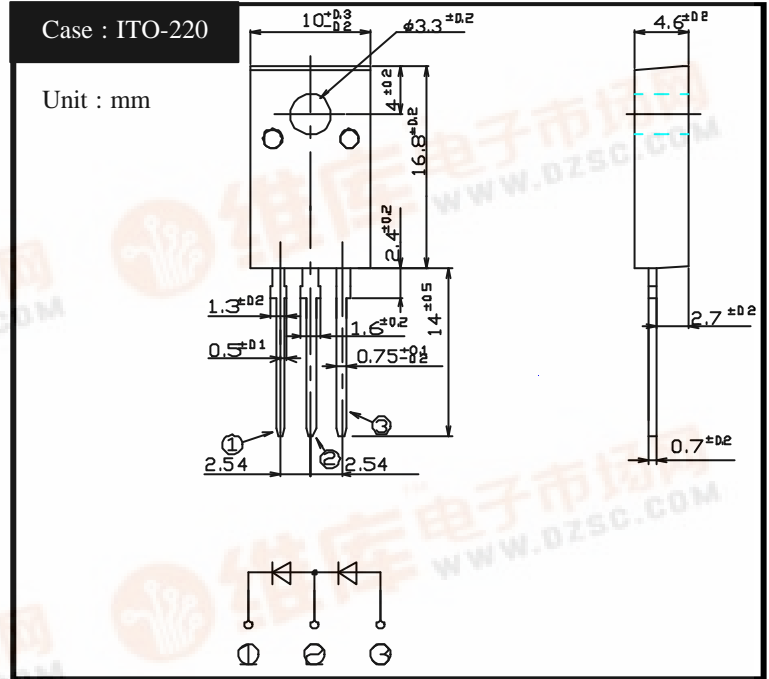
FEATURES

- Low noise
- trr35ns
- Fully Isolated Molding

APPLICATION

- Switching power supply
- Free Wheel
- Home Appliances, Office Equipment
- Telecommunication, Factory Automation

OUTLINE DIMENSIONS



RATINGS

Absolute Maximum Ratings (If not specified Tc=25)

Item	Symbol	Conditions	Ratings	Unit
Storage Temperature	Tstg		-40 ~ 150	
Operating Junction Temperature	Tj		150	
Maximum Reverse Voltage	VRM		200	V
Average Rectified Forward Current	Io	50Hz sine wave, R-load, Rating for each diode Io/2, Tc=132	5.0	A
Peak Surge Forward Current	IFSM	50Hz sine wave, Non-repetitive 1 cycle peak value, Ti=25	45	A
Dielectric Strength	Vdis	Terminals to case, AC 1 minute	1.5	kV
Mounting Torque	TOR	(Recommended torque 0.3N·m)	0.5	N·m

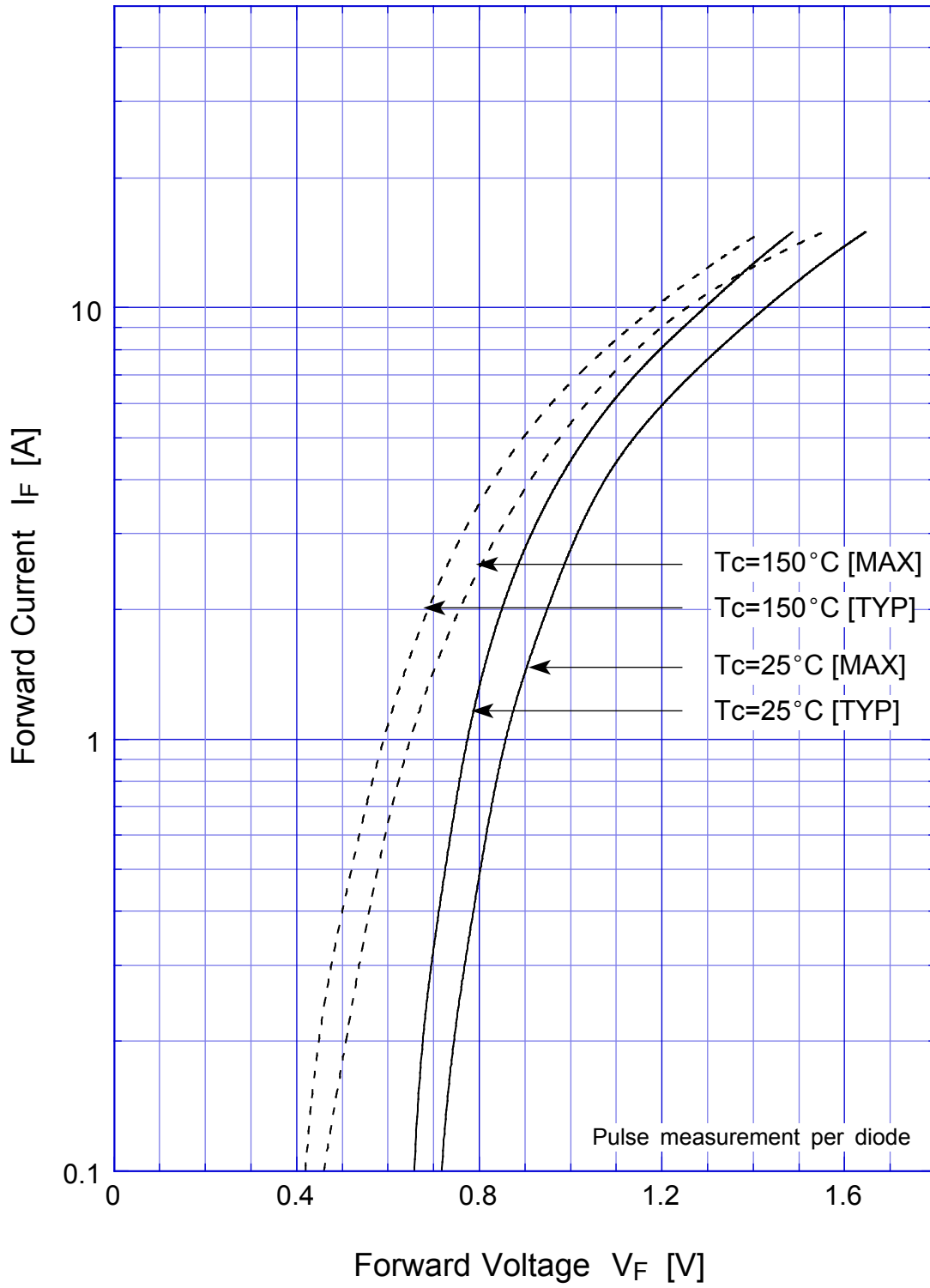
Electrical Characteristics (If not specified Tc=25)

Item	Symbol	Conditions	Ratings	Unit
Forward Voltage	VF	IF=2.5A, Pulse measurement, Rating of per diode	Max.0.98	V
Reverse Current	IR	VR=VRM, Pulse measurement, Rating of per diode	Max.10	μA
Reverse Recovery Time	trr	IF=0.5A, IR=1A, Rating of per diode	Max.35	ns
Thermal Resistance	jc	junction to case	Max.3.3	/W

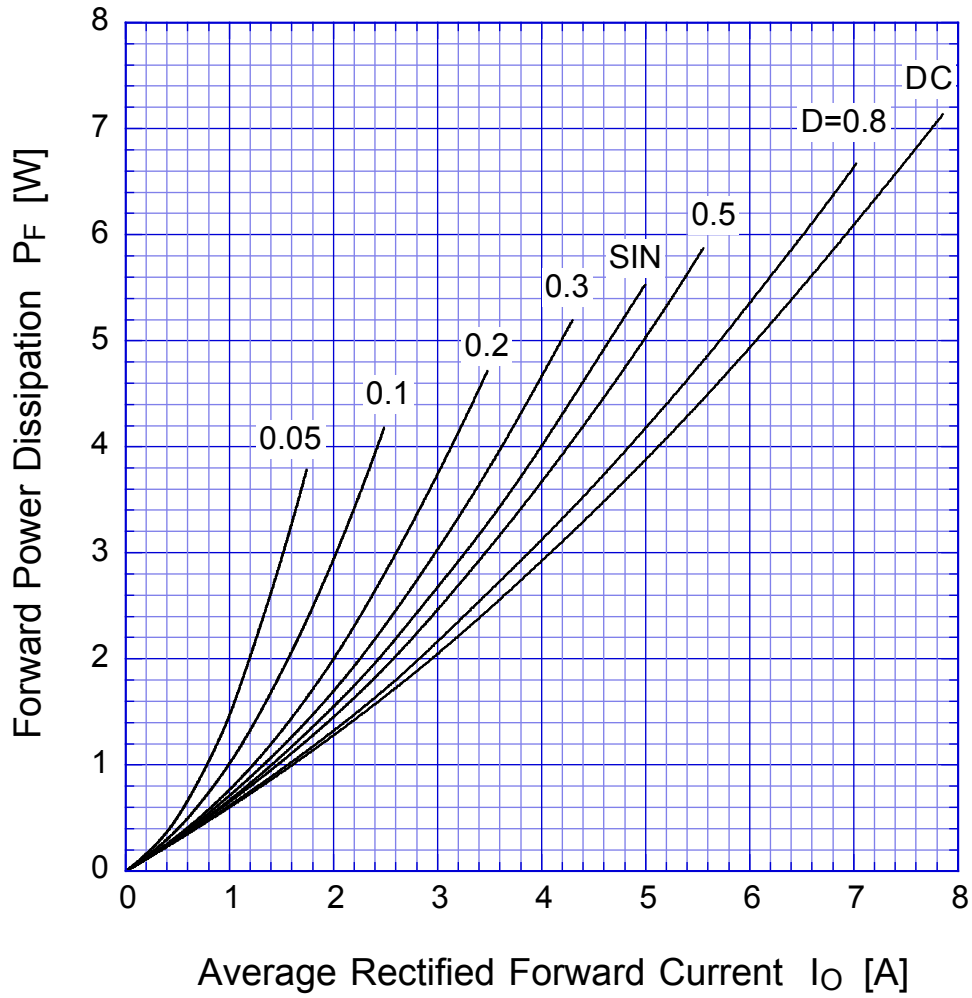


D5LD20U

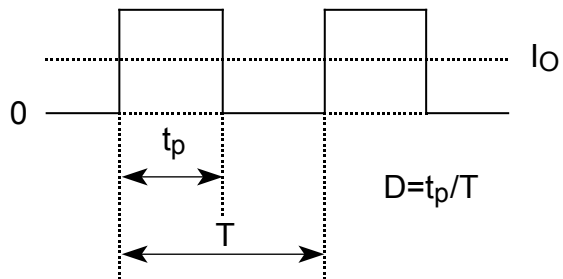
Forward Voltage



D5LD20U Forward Power Dissipation

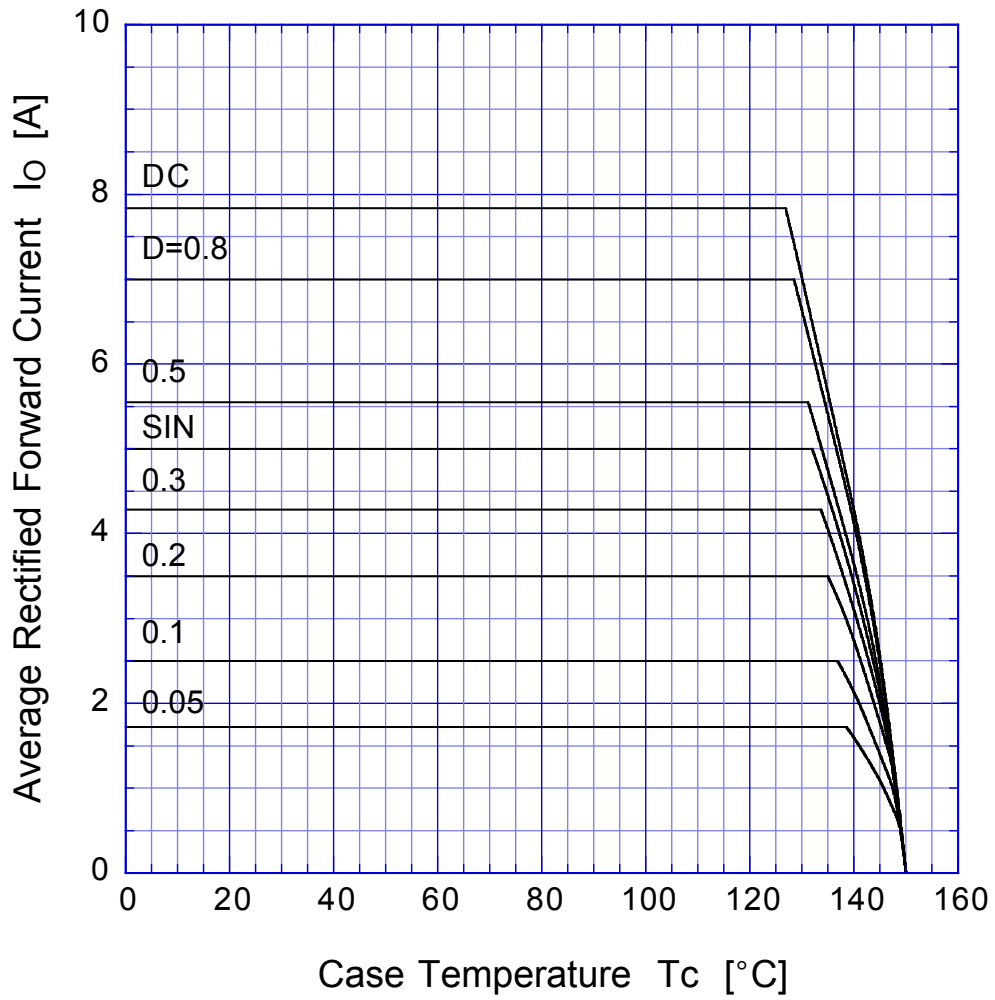


$T_j = 150^\circ\text{C}$

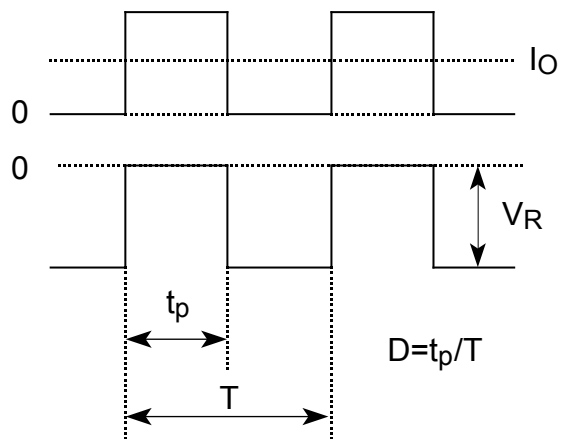


D5LD20U

Derating Curve

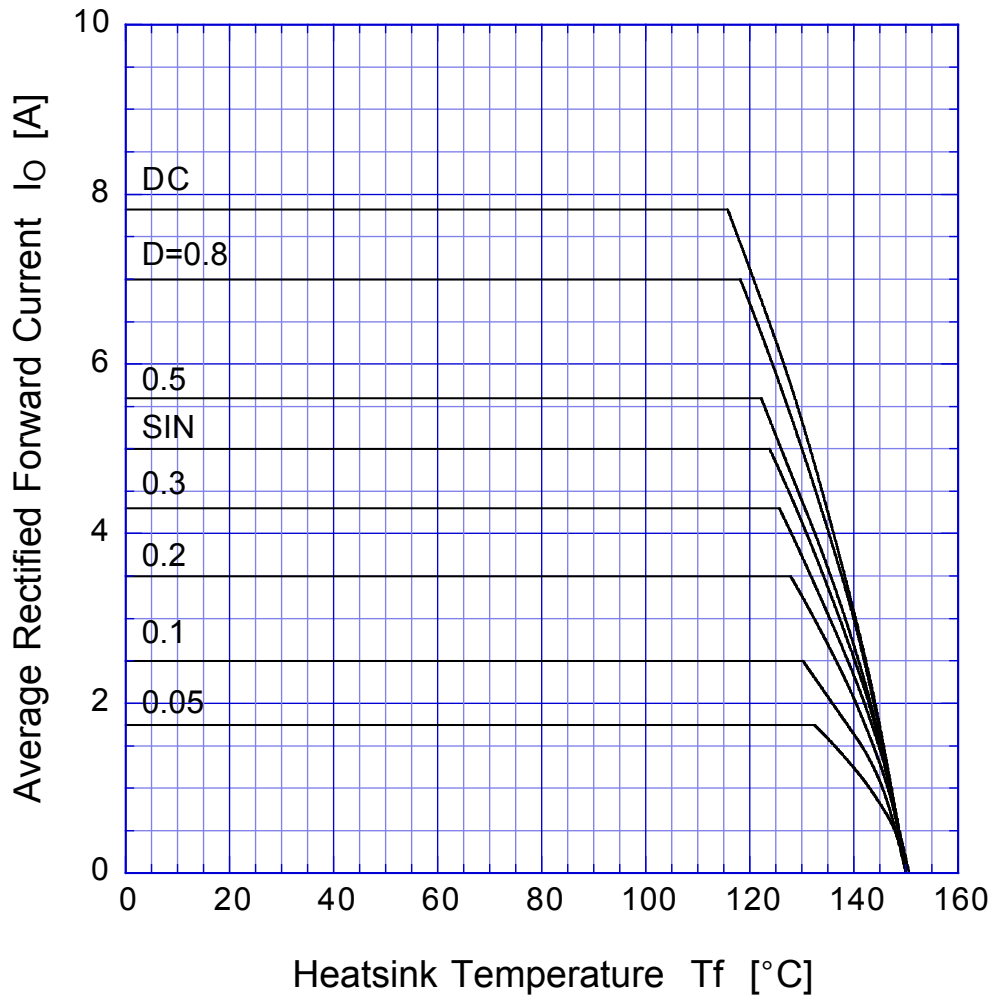


$$V_R = V_{RM}$$

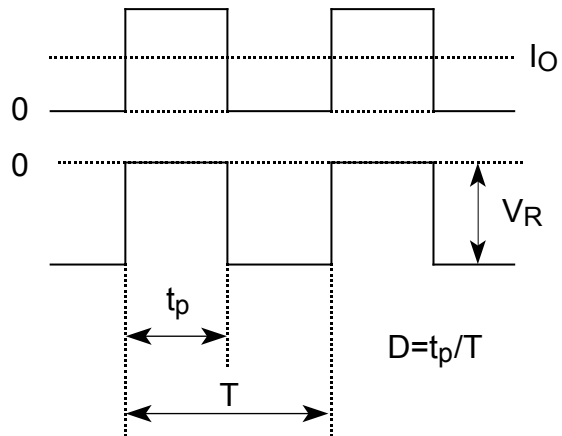


D5LD20U

Derating Curve

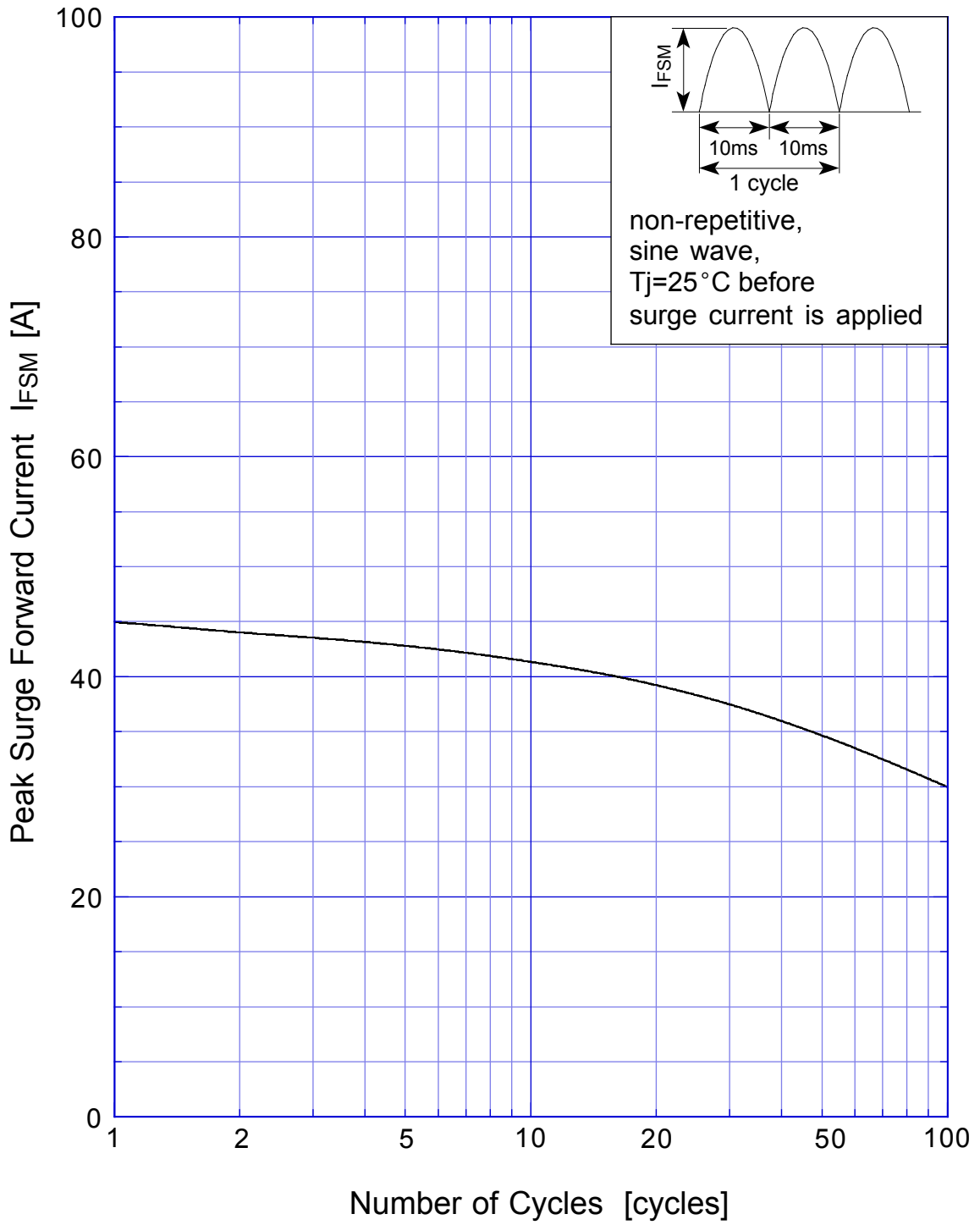


$$V_R = V_{RM}$$



D5LD20U

Peak Surge Forward Capability



D5LD20U Junction Capacitance

