

# SHINDENGEN

## Super Fast Recovery Rectifiers

Single

# D8L60

## 600V 8A

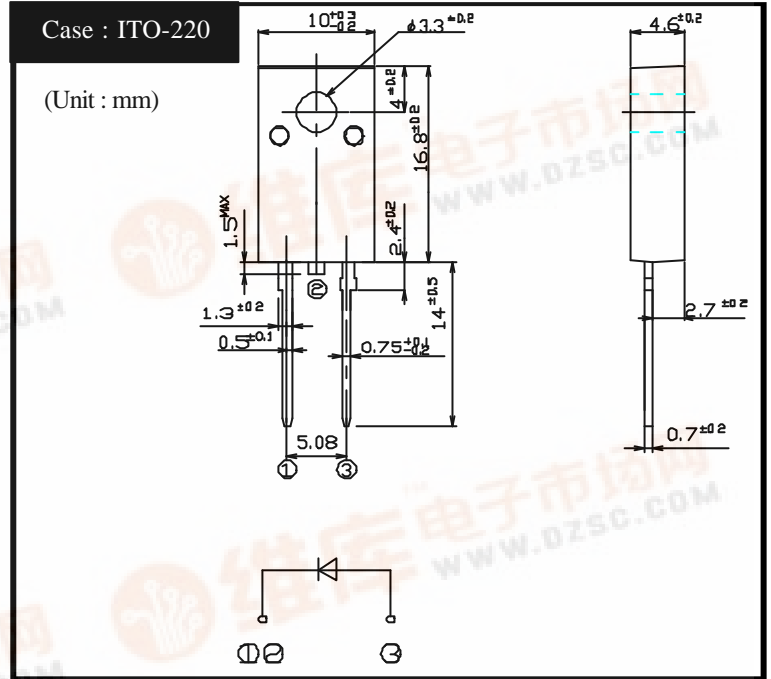
### FEATURES

- High Voltage
- trr70ns
- Fully Isolated Molding

### APPLICATION

- PFC
- Switching power supply
- Free Wheel
- CTV+B output, lighting

### OUTLINE DIMENSIONS



### RATINGS

Absolute Maximum Ratings (If not specified Tc=25 )

Item	Symbol	Conditions	Ratings	Unit
Storage Temperature	Tstg		-55 ~ 150	
Operating Junction Temperature	Tj		150	
Maximum Reverse Voltage	V <sub>RM</sub>		600	V
Average Rectified Forward Current	I <sub>O</sub>	50Hz sine wave, R-load, Tc=106	8	A
Peak Surge Forward Current	I <sub>FSM</sub>	50Hz sine wave, Non-repetitive 1 cycle peak value, Tj=25	170	A
Dielectric Strength	V <sub>dis</sub>	Terminals to case, AC 1 minute	1.5	kV
Mounting Torque	TOR	(Recommended torque :0.3N·m)	0.5	N·m

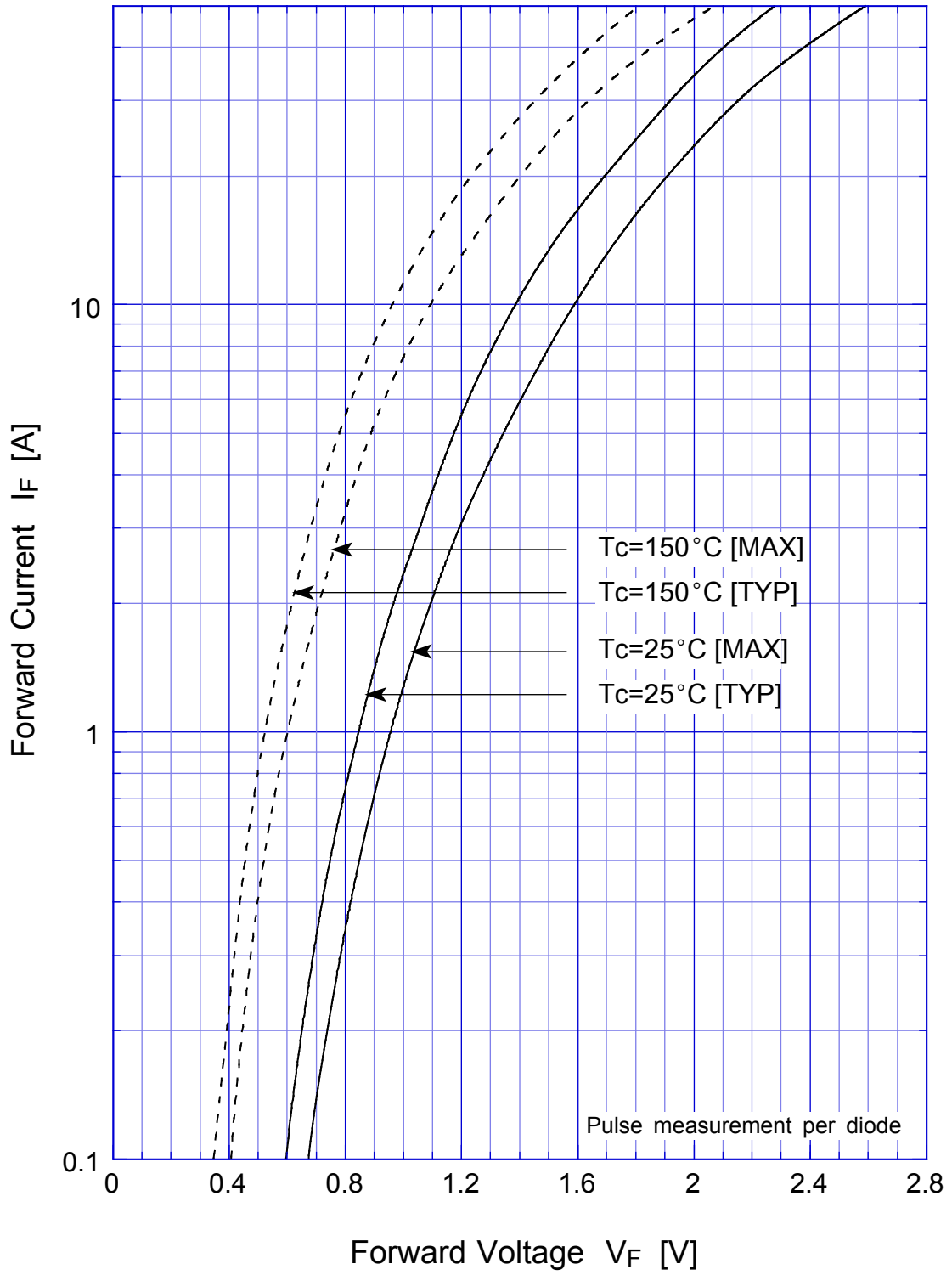
Electrical Characteristics (If not specified Tc=25 )

Item	Symbol	Conditions	Ratings	Unit
Forward Voltage	V <sub>F</sub>	I <sub>F</sub> =8A, Pulse measurement	Max.1.5	V
Reverse Current	I <sub>R</sub>	V <sub>R</sub> =V <sub>RM</sub> , Pulse measurement	Max.25	μA
Reverse Recovery Time	trr	I <sub>F</sub> =0.5A, I <sub>R</sub> =1A	Max.70	ns
Thermal Resistance	jc	junction to case	Max.3.5	/W



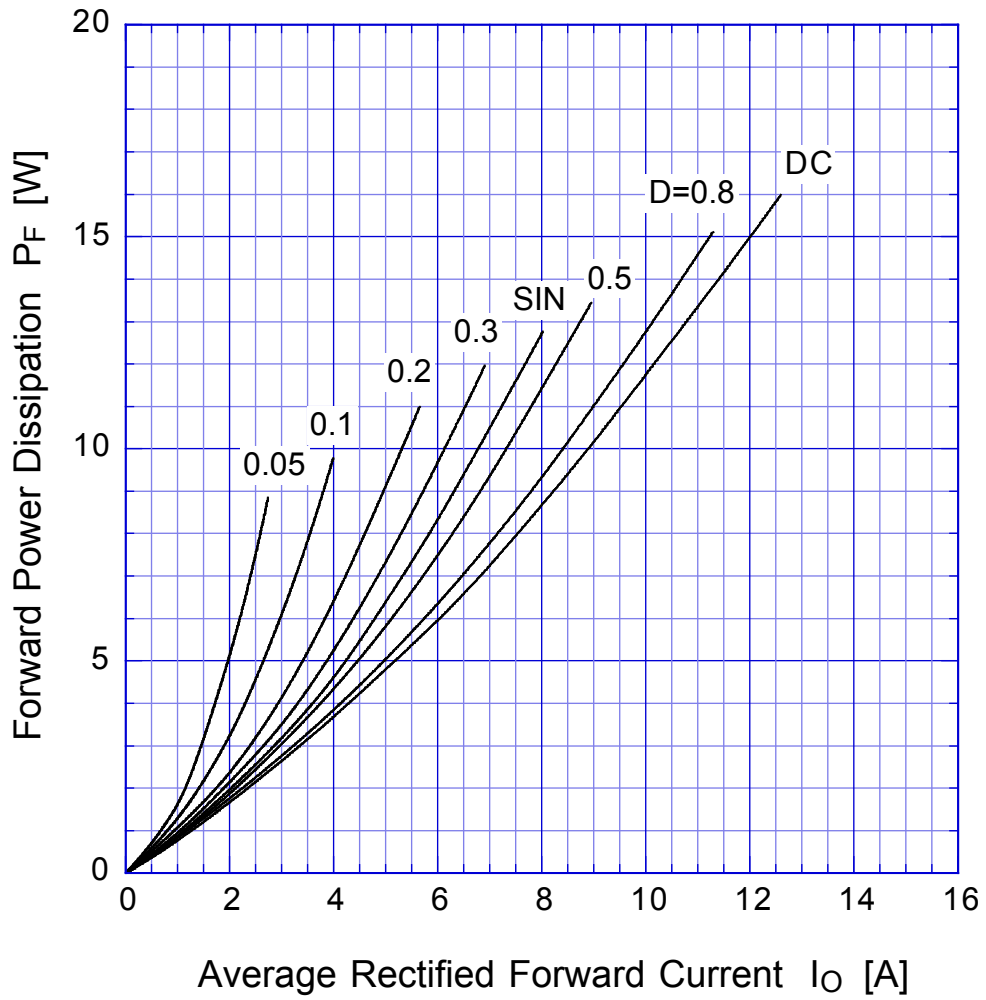
# D8L60

## Forward Voltage

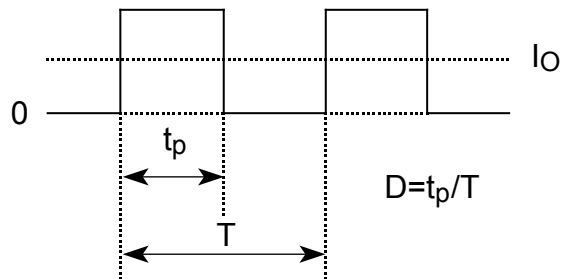


# D8L60

# Forward Power Dissipation

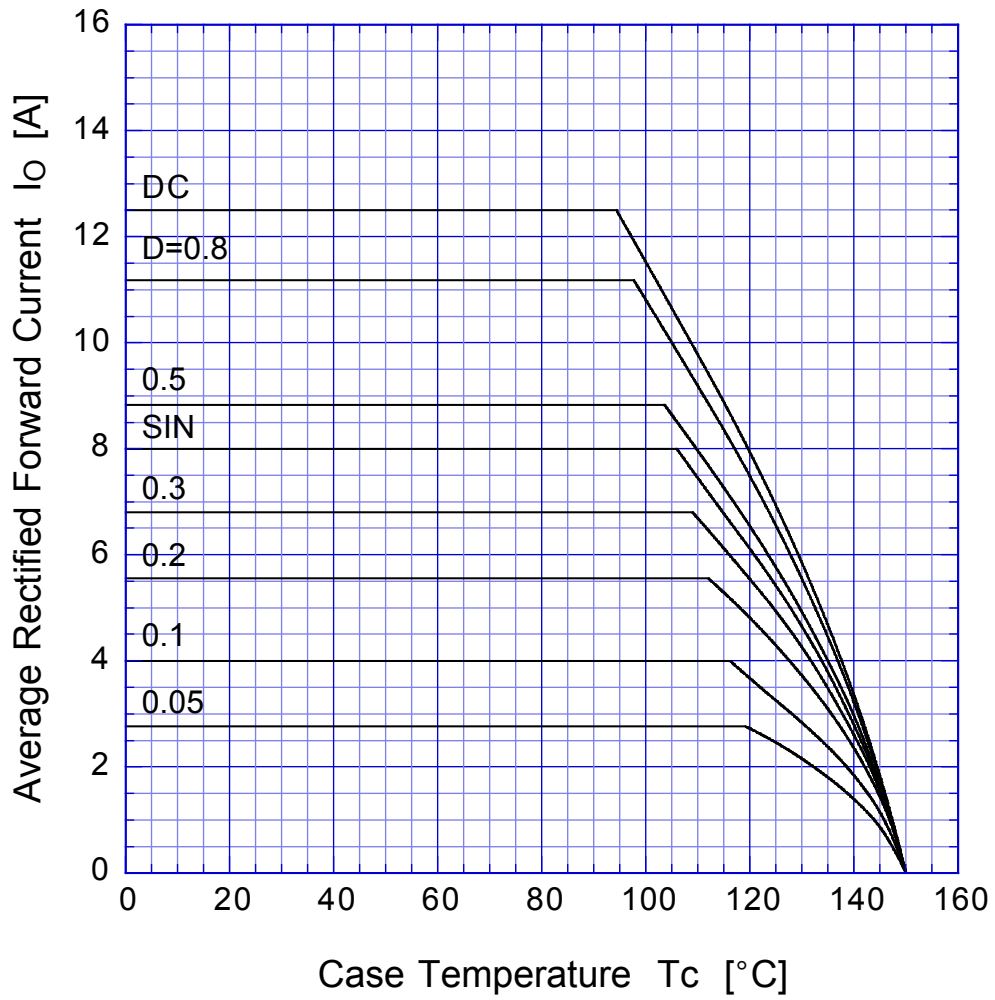


$T_j = T_{jmax}$

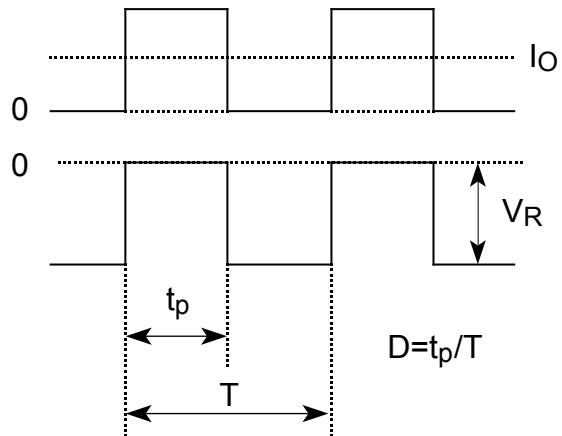


# D8L60

# Derating Curve

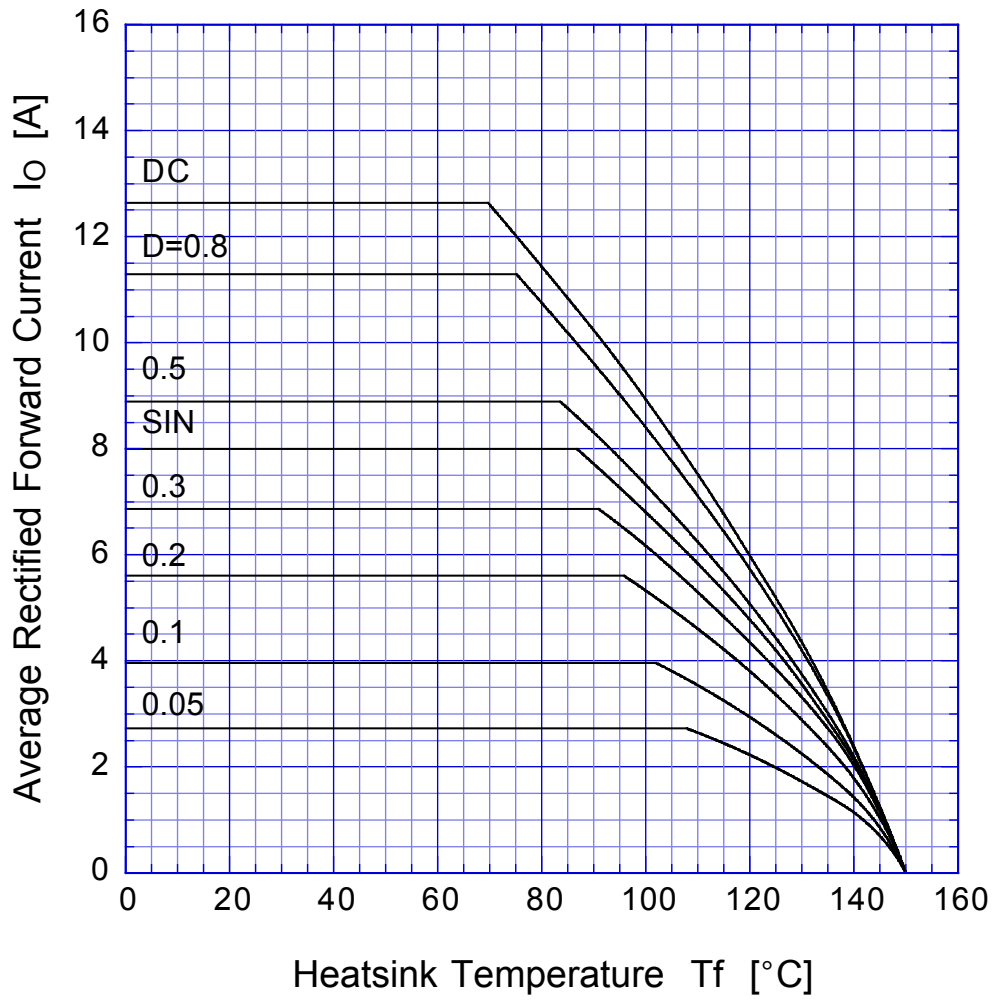


$$V_R = V_{RM}$$

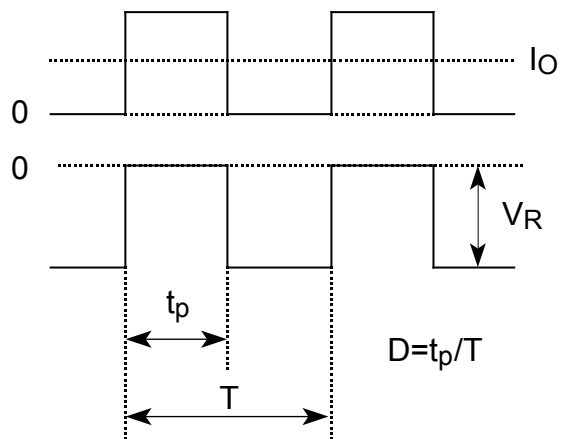


# D8L60

# Derating Curve

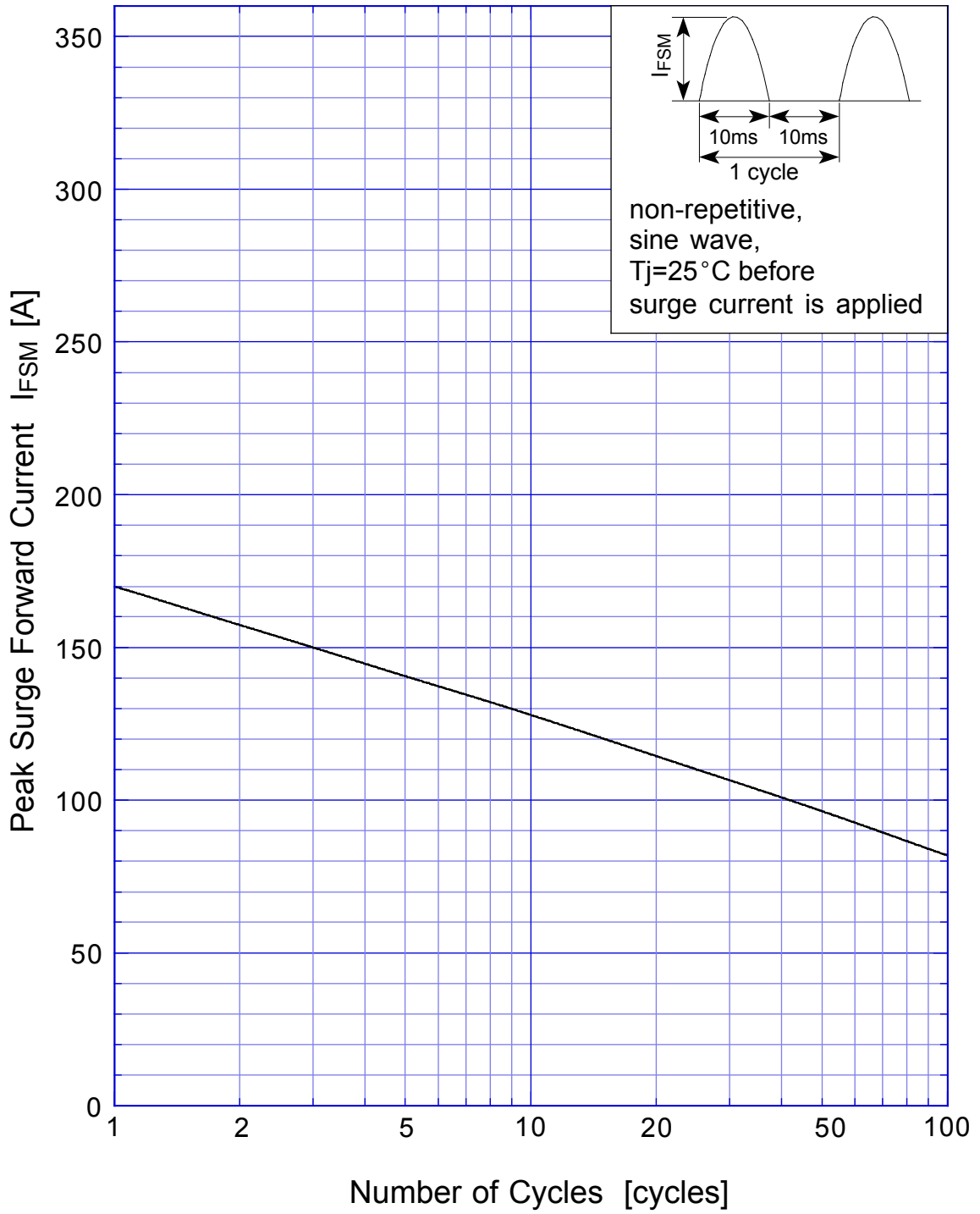


$$V_R = V_{RM}$$



# D8L60

## Peak Surge Forward Capability



# D8L60 Junction Capacitance

