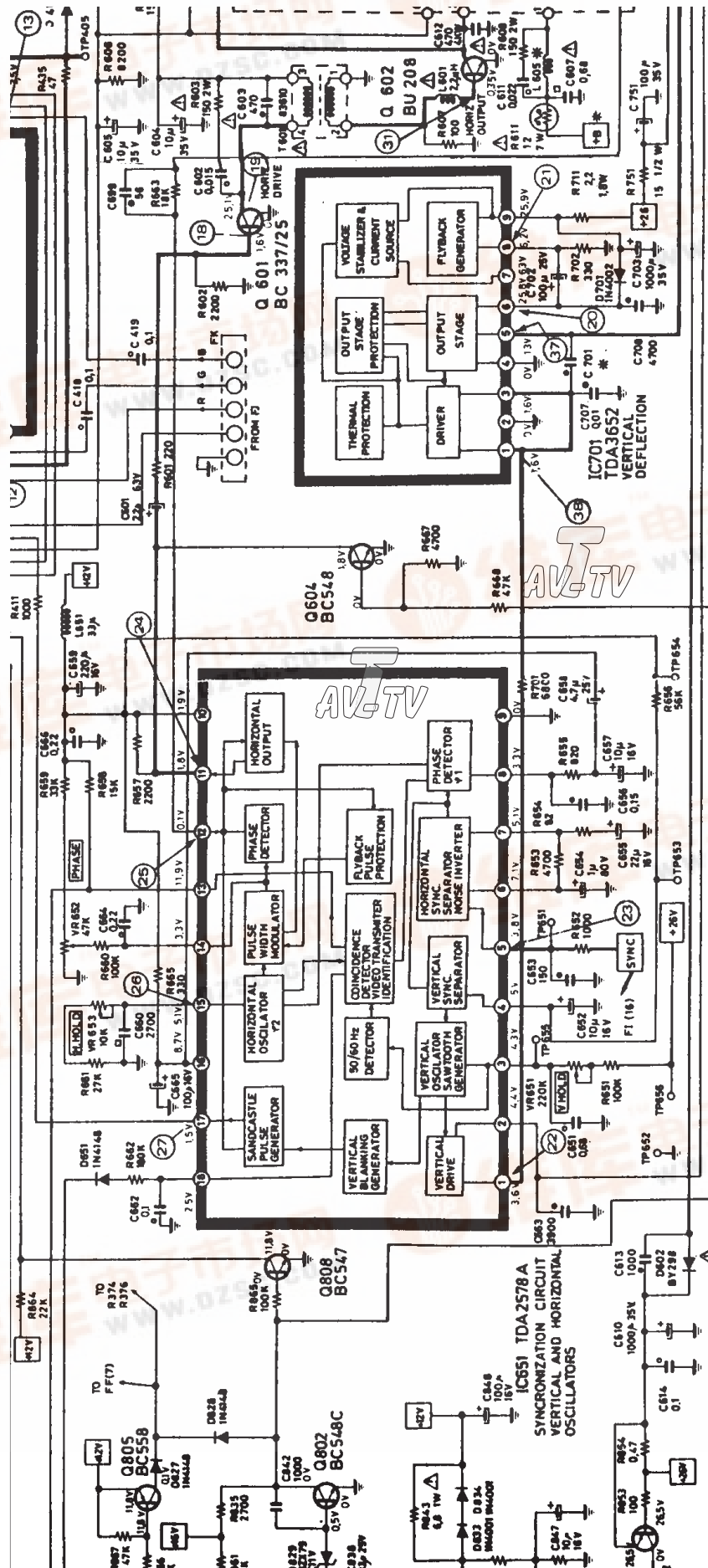


TDA2578A SYNC APPLICATION TDA3652 VERTICAL DEFLECTION APPLICATION



www.Datasheet.in

