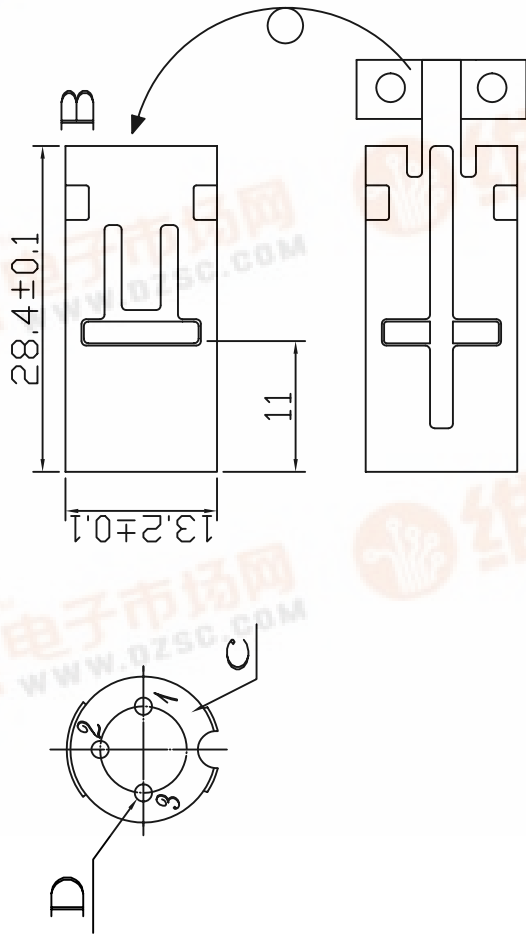


3P 180°		3P 180°		3P 180°		3P 180°		3P 180°		3P 180°		3P 180°	
4P 210°		4P 210°		4P 210°		4P 210°		4P 210°		4P 210°		4P 210°	
5P 180°		5P 180°		5P 180°		5P 180°		5P 180°		5P 180°		5P 180°	
5P 240°		5P 240°		5P 240°		5P 240°		5P 240°		5P 240°		5P 240°	
5P 360°		5P 360°		5P 360°		5P 360°		5P 360°		5P 360°		5P 360°	
6P 240°		6P 240°		6P 240°		6P 240°		6P 240°		6P 240°		6P 240°	
7P 270°		7P 270°		7P 270°		7P 270°		7P 270°		7P 270°		7P 270°	
8P 270°		8P 270°		8P 270°		8P 270°		8P 270°		8P 270°		8P 270°	



MATERIALS:

- A. BOOT: PVC
- B. METAL PART: STEEL NICKEL PLATED
- C. INSULATOR: PBT
- D. PIN CONTACT: BRASS NICKEL PLATED

SPECIFICATIONS:

- 1. RATING: 100V AC AT 1A
- 2. INSULATION RESISTANCE: OVER 100M OHM AT 500V DC
- 3. DIELECTRIC STRENGTH: 250V AC FOR ONE MINUTE

www.DataSheet.in

PART NO. DA-P-xx		APPROVED BY CY		TOLERANCES ARE		DESCRIP TION:		DIN PLUG ASS'Y TYPE	
DWG NO. DA-P-xx		DRAWING BY		.X .XX .XXX AWG		AREA		REVISIONS	
FILE NO.		PROJECTION		1:1		DATE		HK	
UNIT / mm		SCALE		1:1		DATE		HK	

MORETHANALL
CONNECTORS
ASSEMBLIES

煜倫有限公司

