

DBL 2071

HORIZONTAL PROCESSOR FOR MONITOR SET

The DBL2071, is a monolithic integrated circuit encapsulated in a 14 dual-in-line package designed for horizontal deflection signal processor for a CRT display.

This IC can use with the DBL2054D (Vertical deflection IC).

FUNCTIONS

- Horizontal oscillator & AFC
- X-Ray protector
- AFC sawtooth wave generator
- Horizontal pulse duty setting
- Horizontal phase shifter

FEATURES

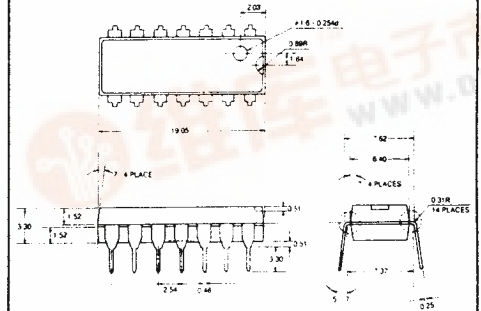
- The horizontal oscillation frequency is stable from 15KHz to 100KHz.
- The horizontal display can be shifted right or left.
- The horizontal synchronizing pulse input can be used intact regardless of the difference in pulse polarity and pulse width.
- The AFC feedback sawtooth wave can be obtained by simply applying a flyback pulse to the IC as a trigger pulse.
- Any duty of horizontal pulse can be set.

MAXIMUM RATINGS($T_a=25^{\circ}\text{C}$)

CHARACTERISTICS	SYMBOL	VALUE	UNIT
Supply Voltage	V_{cc} (max)	14	V
Power Dissipation	P_d	520	mW
Operating Temperature	T_{opr}	-20 ~ +70	$^{\circ}\text{C}$
Storage Temperature	T_{stg}	-55 ~ +150	$^{\circ}\text{C}$

14DIP

Unit : mm



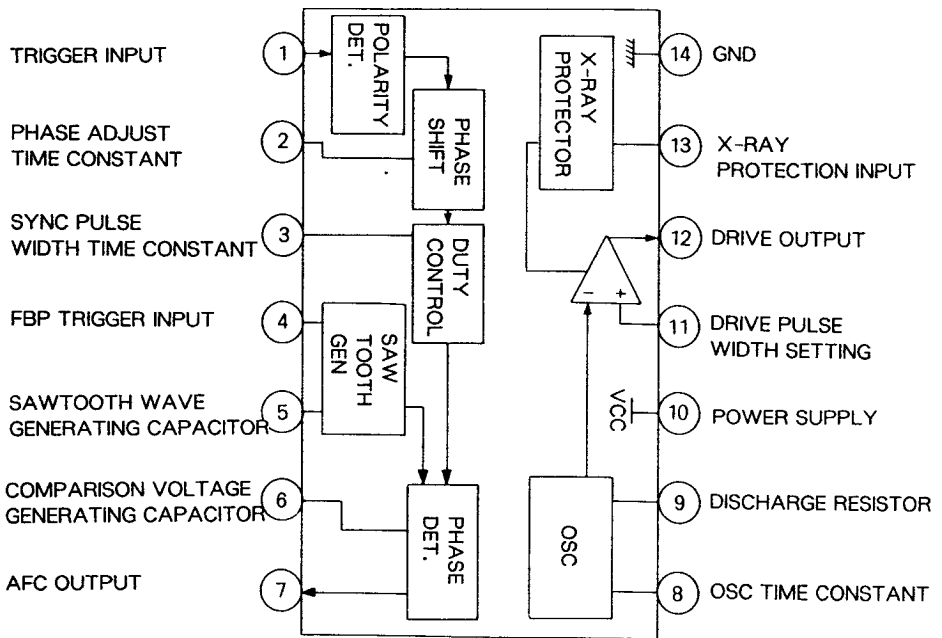
DBL 2071

□ OPERATING CONDITION

(T_a = 25°C)

CHARACTERISTIC	SYMBOL	MIN.	TYP.	MAX.	UNIT
Supply Voltage	V _{cc}	9.0	12.0	13.5	V
Hor. Pulse Voltage	P _v	2.0	5.0	6.0	V _{p-p}

□ BLOCK DIAGRAM



DBL 2071

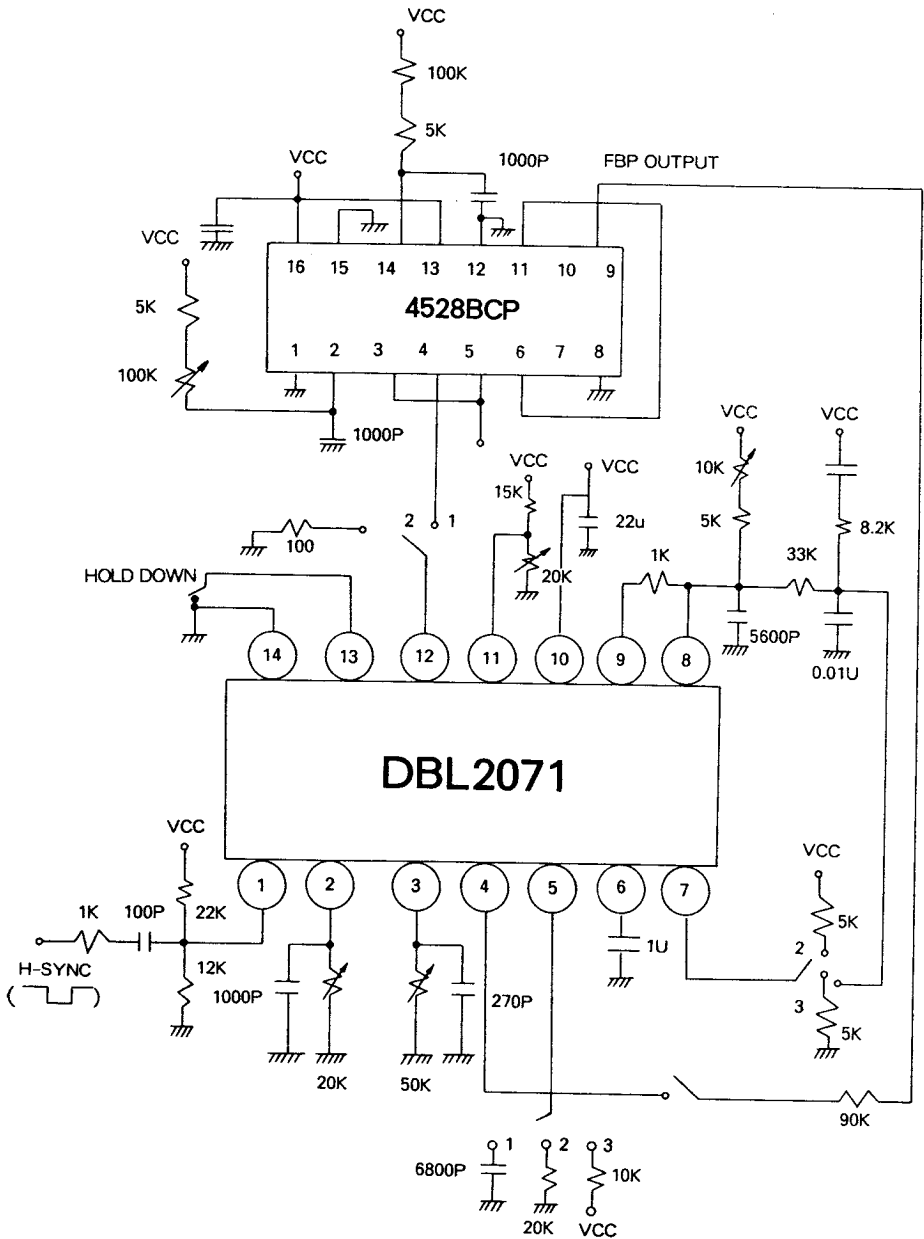
ELECTRICAL CHARACTERISTICS

(V_{pin10}=12V, P_a=25°C)

CHARACTERISTICS	SYMBOL	TEST CONDITION	MIN.	TYP.	MAX.	UNIT
Supply Current	I _{cc}	V _{cc} =12V	12	21	30	mA
Oscillation Start Voltage	V _{osc} (H)		—	—	4.0	V
Free-Running Frequency	F _{hr}	Fh=15.734KHz	-750	—	750	Hz
AFC DC Loop Current	I _{afc}	Pin2 : GND Pin3 : 5.0V, Pin : 4.0V Pin5 : 4.0V(+), 6.0V(-) Load : 5Kohm	±0.85	—	±1.6	mA
Frequency Drift with supply Voltage	F _v (H)	V10=12+1V 15.734KHz at 12V	-50	—	50	Hz
Frequency Drift with Amboent Temperature	F _t (H)	Ta= -10 to +60°C	-2.9	—	2.9	Hz/°C
Comparison Wave Shaping Input Voltage	V4		0.6	0.65	0.8	V
X-Ray Protector Starting Voltage	V13		0.5	0.75	0.9	V
Horizontal Drive Current	I12	Pin8 : 3.0V Pin11 : 6.0V Load : 100ohm	6.0	9.0	12.0	mA
Sawtooth Gen. Current Source	I _{src5}	Pin4 : GND Load : 20Kohm	220	260	320	μA
Sawtooth Gen. Current Sink	I _{sik5}	Pin4 : 1.0V Load : 10Kohm	400	500	600	μA
Pulse Width	T _{pw}	Pin11 : 6.0V	37	40	47	%
Pull-in Range	F _{pull}		±400	—	—	Hz

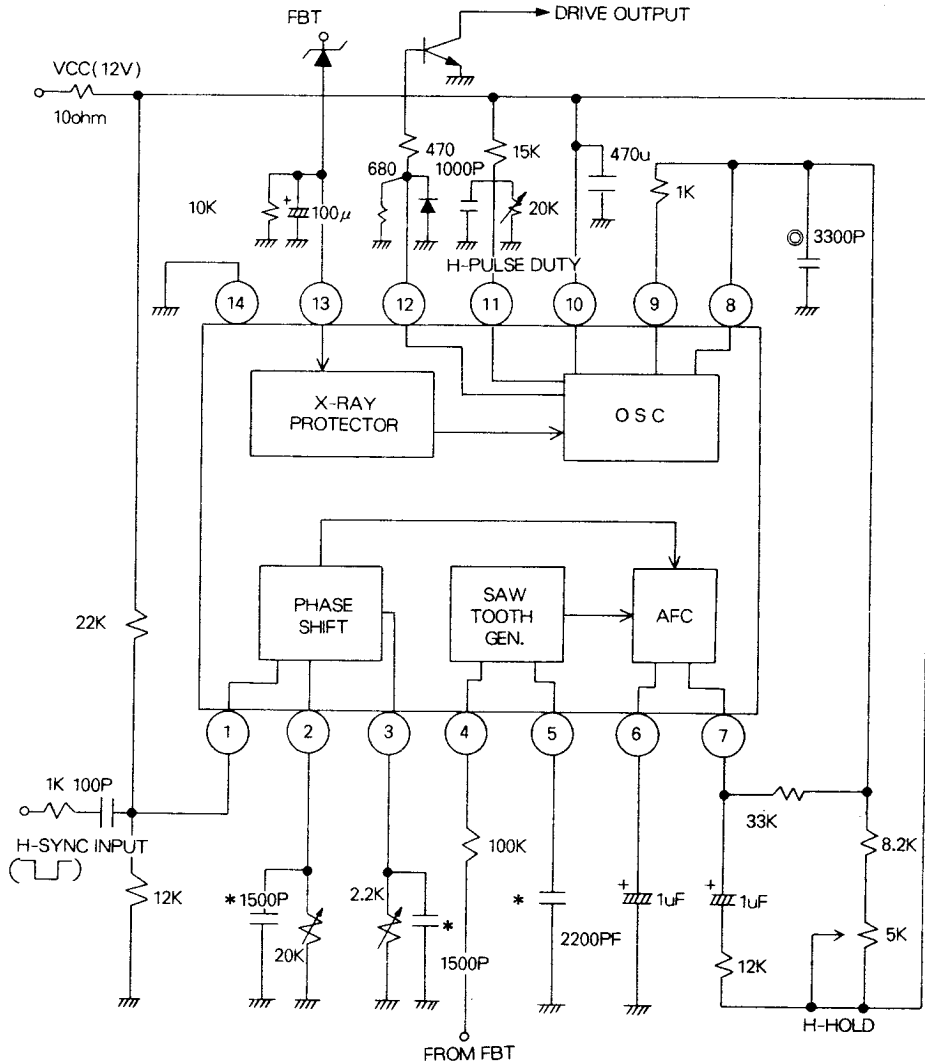
DBL 2071

□ TEST CIRCUIT



DBL 2071

APPLICATION CIRCUIT



POLYESTER FILM CAPACITOR

- Temperature Range : $-40^{\circ}\text{C} \sim +85^{\circ}\text{C}$
- Rated Voltage : 100V_{TR}
- Tolerance : $\pm 5\%$

© POLYPROPYLENE FILM CAPACITOR

- Temperature Range : $-40^{\circ}\text{C} \sim +85^{\circ}\text{C}$
- Rated Voltage : 100V_{DC}
- Tolerance : $\pm 5\%$