

Inlet for front or rear side mounting, fuse 1-/2-pole, line switch 2-pole

Standard or Medical Fuse drawer



new

C14  
  
70 °C

### Description

- Panel Mount:  
Screw-on version from front or rear side
- 3 Functions:  
Inlet Protection class I, Line switch 2-pole, Fuseholder for fuse-links 5 x 20 mm 1- or 2-pole
- Quick connect terminals 4.8 x 0.8 mm
- Alternative: version with line filter [DD12](#)
- Alternative: version for snap-in mounting [KM](#)
- Alternative: version for PCB mounting [DD21](#)

### Characteristics

- Ultra-compact design. Ideal for low profile designs
- All single elements are already wired
- Fuse drawer meets requirements of medical standard IEC/EN 60601-1  
The fuseholder is accessible from the equipment front
- For added safety "Extra-Safe" fuse drawers are available
- Ideal for application with high transient loads
- Designed for standard and medical applications
- Qualified for use in equipment according IEC/EN 60950

### Other versions on request

- Solder terminals
- Fuse drawer 1-pole, plus spare fuse case
- Fuse drawer 2-pole, with shorting bar
- Other rocker marking
- Line switch 1-pole
- Protection class II, 70°C

### Weblinks

[Approvals](#), [RoHS](#), [CHINA-RoHS](#), [e-Store](#), [SCHURTER-Stock-Check](#), [Distributor-Stock-Check](#)

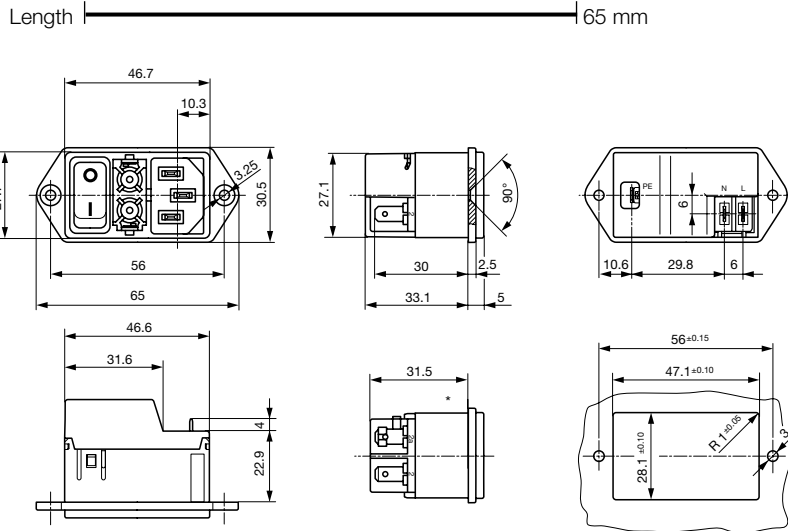
### Technical Data

|                           |  |
|---------------------------|--|
| Ratings IEC               | 10A / 250VAC; 50Hz   |
| Ratings UL/CSA            | 8A / 250VAC; 60Hz <sup>1)</sup>  |
| Dielectric Strength       | > 2.5 kVAC between L-N<br>> 3 kVAC between L/N-PE<br>(1 min/50Hz)                      |
| Allowable Operation Temp. | -25 °C to 85 °C  |
| Degree of Protection      | from front side IP 40 acc. to IEC 60529  |
| Protection Class          | Suitable for appliances with protection class I acc. to IEC 61140                      |
| Terminal                  | Quick connect terminals 4.8 x 0.8 mm   |
| Panel Thickness s         | Screw-on: max 8 mm<br>Mounting screw torque max 0.5 Nm<br>Rear side mounting: max 2 mm |
| Material: Housing         | Thermoplastic, black, UL 94V-0   |

|                                   |  |
|-----------------------------------|--|
| Appliance-Inlet /-Outlet          | C14 acc. to IEC/EN 60320-1<br>UL 498, CSA C22.2 no. 42 (for cold condition) pin-temperature 70 °C, 10A, Protection class I |
| Fuseholder                        | 1 or 2 pole, Shocksafe category PC2 acc. to IEC 60127-6,<br>for fuse-links 5 x 20 mm                                       |
| Rated Power Acceptance @ Ta 23 °C | 5 x 20: 2 W (1 pole)/ 1.6 W (2-pole) per pole  |
| Power Acceptance @ Ta > 23°C      | Admissible power acceptance at higher ambient temperature see derating curves  |
| Line Switch                       | Rocker switch 2-pole, non-illuminated or illuminated, acc. to IEC 61058-1<br><a href="#">Technical details</a>             |

1) with cover 7 A, without cover 8 A

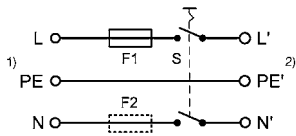
**Dimensions**  
Screw version



\*) view without cover

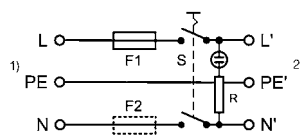
**Diagrams**

non illuminated



1) Line  
2) Load

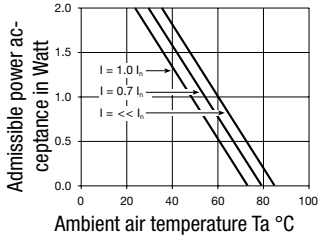
illuminated



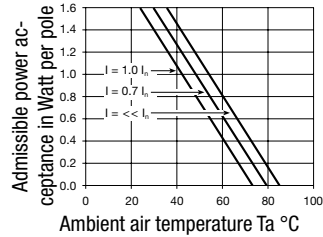
1) Line  
2) Load

**Derating Curves for Fuseholders**

1-pole



2-pole



**Variants**

Distributor-Stock-Check | SCHURTER-Stock-Check | e-Store

Fuse drawer must be ordered separately (see accessories).  
Fingerrip and Extra Safe. The same drawer as used by type KEA.

| Fuseholder | Line Switch | Illumination    | Color | Cover <sup>1)</sup> | Order Number   |
|------------|-------------|-----------------|-------|---------------------|----------------|
| 1 pole     | 2-pole      | non-illuminated | -     |                     | DD11.0111.1110 |
| 1 pole     | 2-pole      | illuminated     | red   |                     | DD11.0113.1110 |
| 1 pole     | 2-pole      | illuminated     | green |                     | DD11.0114.1110 |
| 2-pole     | 2-pole      | non-illuminated | -     |                     | DD11.0121.1110 |
| 2-pole     | 2-pole      | illuminated     | red   |                     | DD11.0123.1110 |
| 2-pole     | 2-pole      | illuminated     | green |                     | DD11.0124.1110 |
| 1 pole     | 2-pole      | non-illuminated | -     | ●                   | DD11.0111.1111 |
| 1 pole     | 2-pole      | illuminated     | red   | ●                   | DD11.0113.1111 |
| 1 pole     | 2-pole      | illuminated     | green | ●                   | DD11.0114.1111 |
| 2-pole     | 2-pole      | non-illuminated | -     | ●                   | DD11.0121.1111 |
| 2-pole     | 2-pole      | illuminated     | red   | ●                   | DD11.0123.1111 |
| 2-pole     | 2-pole      | illuminated     | green | ●                   | DD11.0124.1111 |

<sup>1)</sup> current rating UL: with cover 7 A, without cover 8 A

**Packaging unit** 40 Pcs

---

### Required Accessory

#### Description



[Fusedrawer 2](#)  
Fusedrawer with and without voltage selector insert

---

### Accessory



[Cord retaining kits](#)  
Cord retaining strain relieve

---