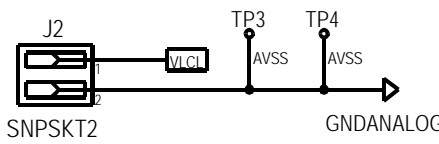
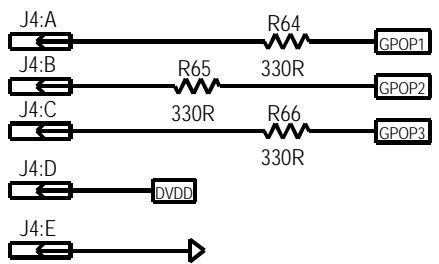
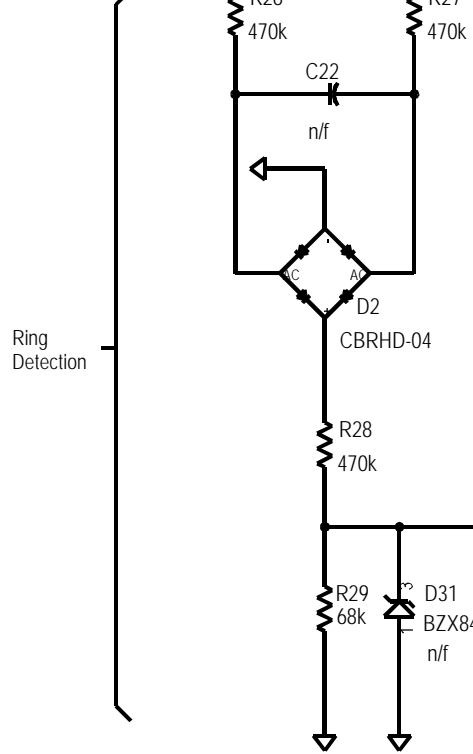




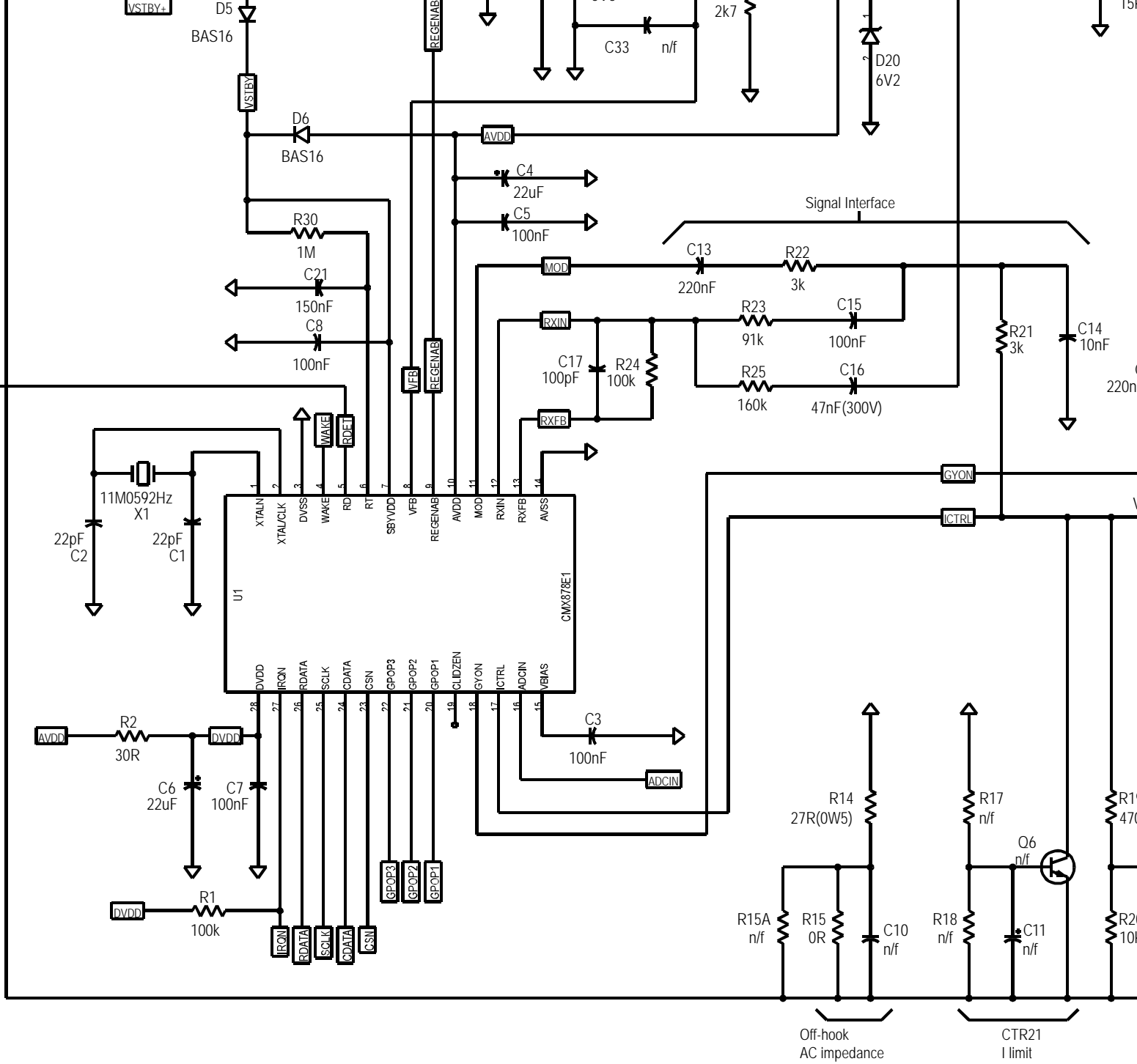
CML Microcircuits

COMMUNICATION SEMICONDUCTORS

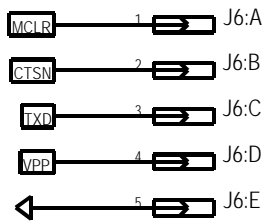
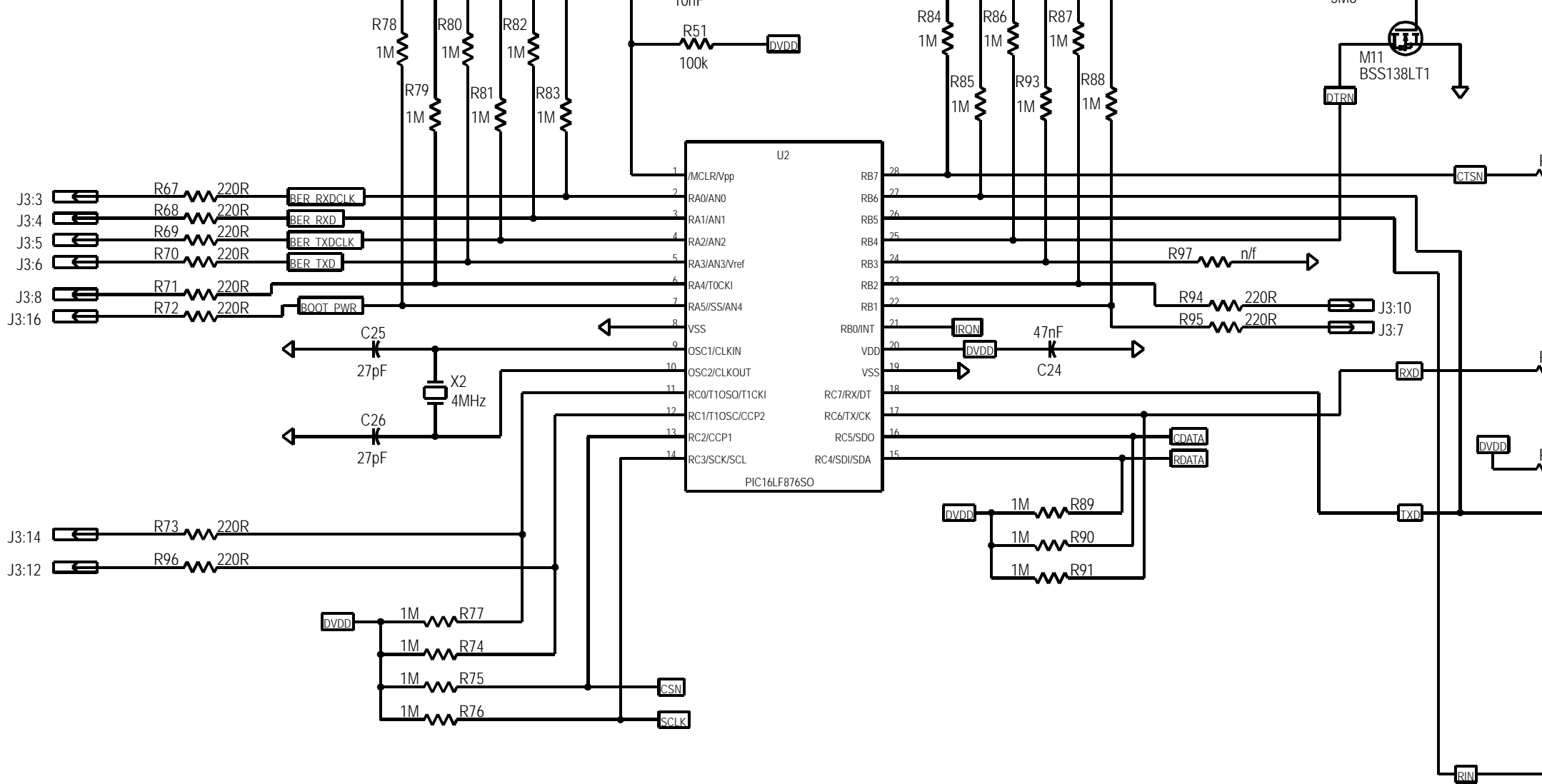
High Resolution Circuit Diagrams for DE8781 and DE8782



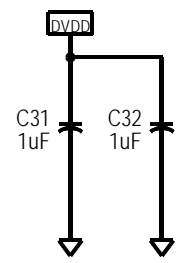
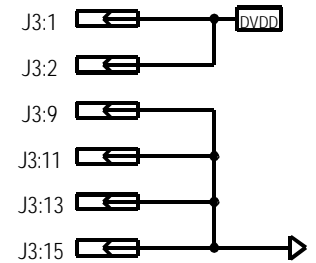
Place decoupling capacitors C4, C5, C6, C7 and C8 as close to CMX878 pins as possible.



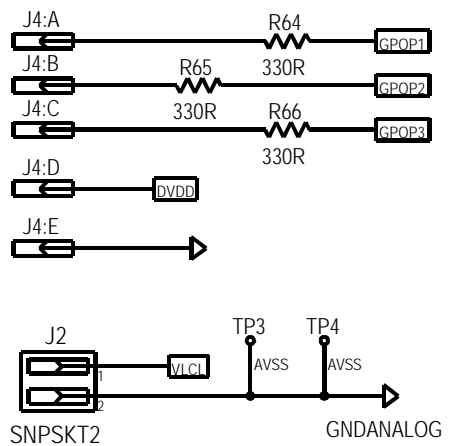
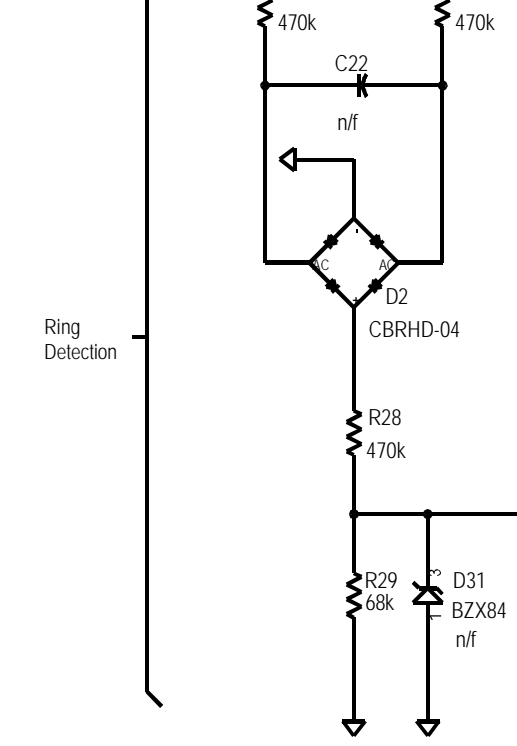
Off-hook AC impedance
CTR21 I limit



In circuit serial programming for PIC

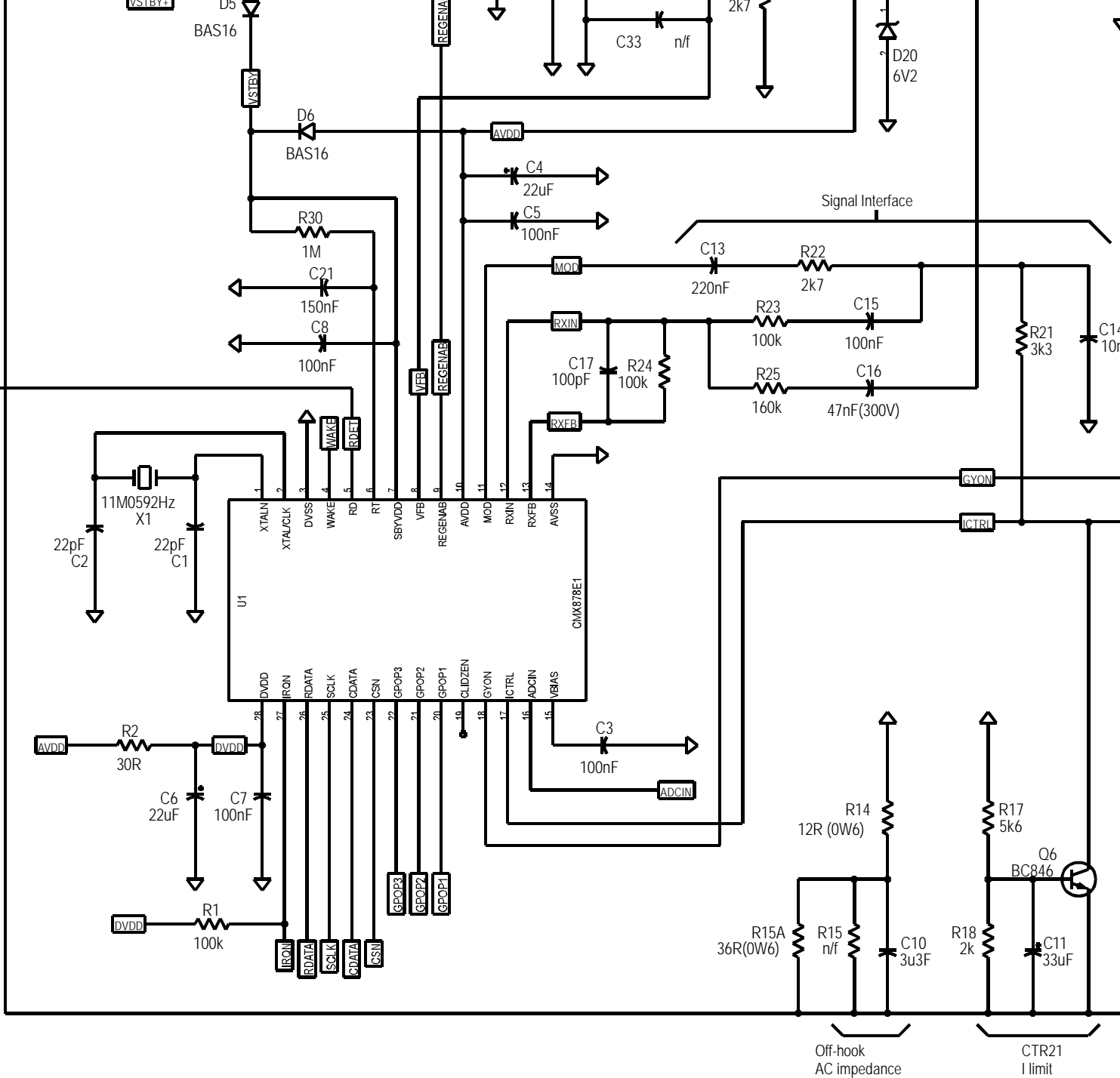


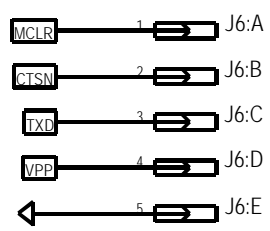
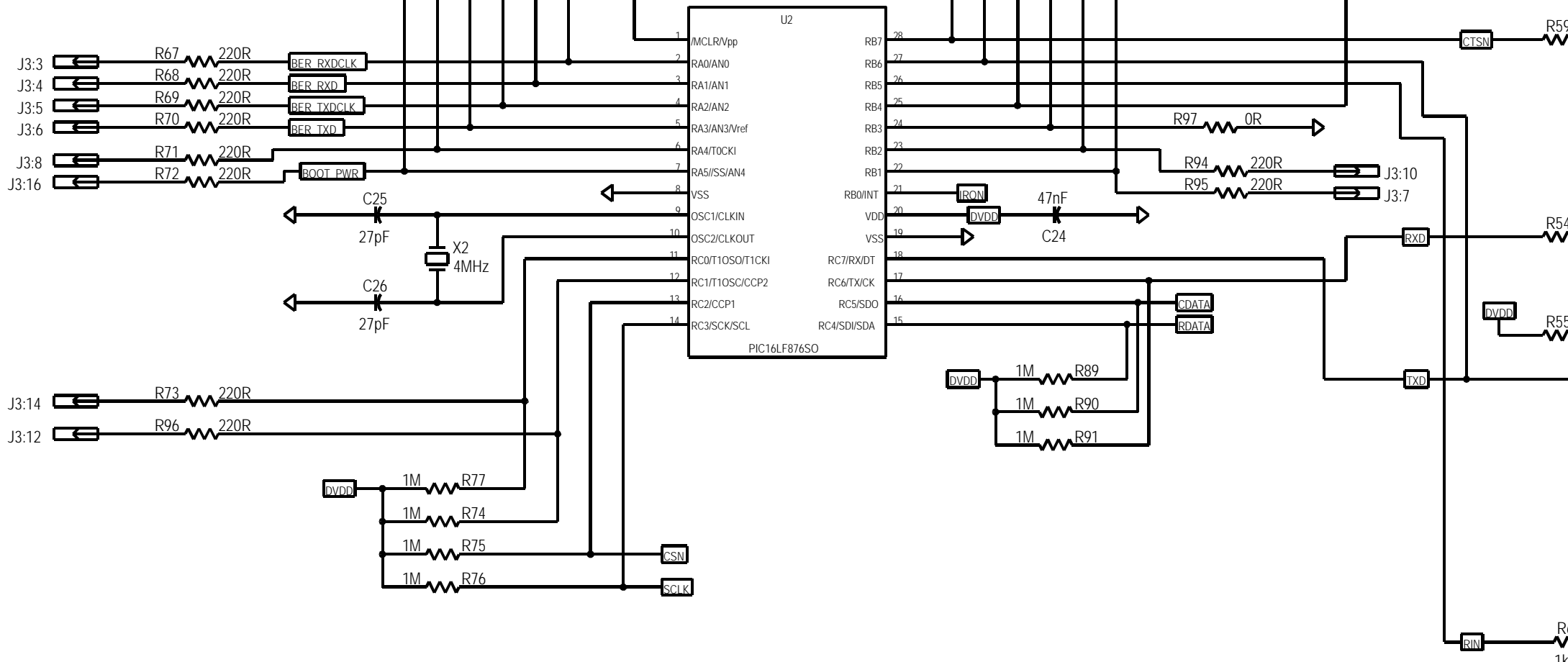
Place:-
C31 adjacent to U4 pin1.
C32 adjacent to R55.



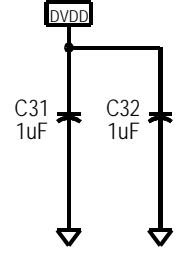
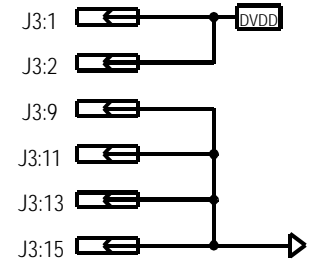
SNPSKT2
GNDANALOG

Place decoupling capacitors C4, C5, C6, C7 and C8 as close to CMX878 pins as possible.





In circuit serial programming for PIC



Place:-
 C31 adjacent to U4 pin1.
 C32 adjacent to R55.