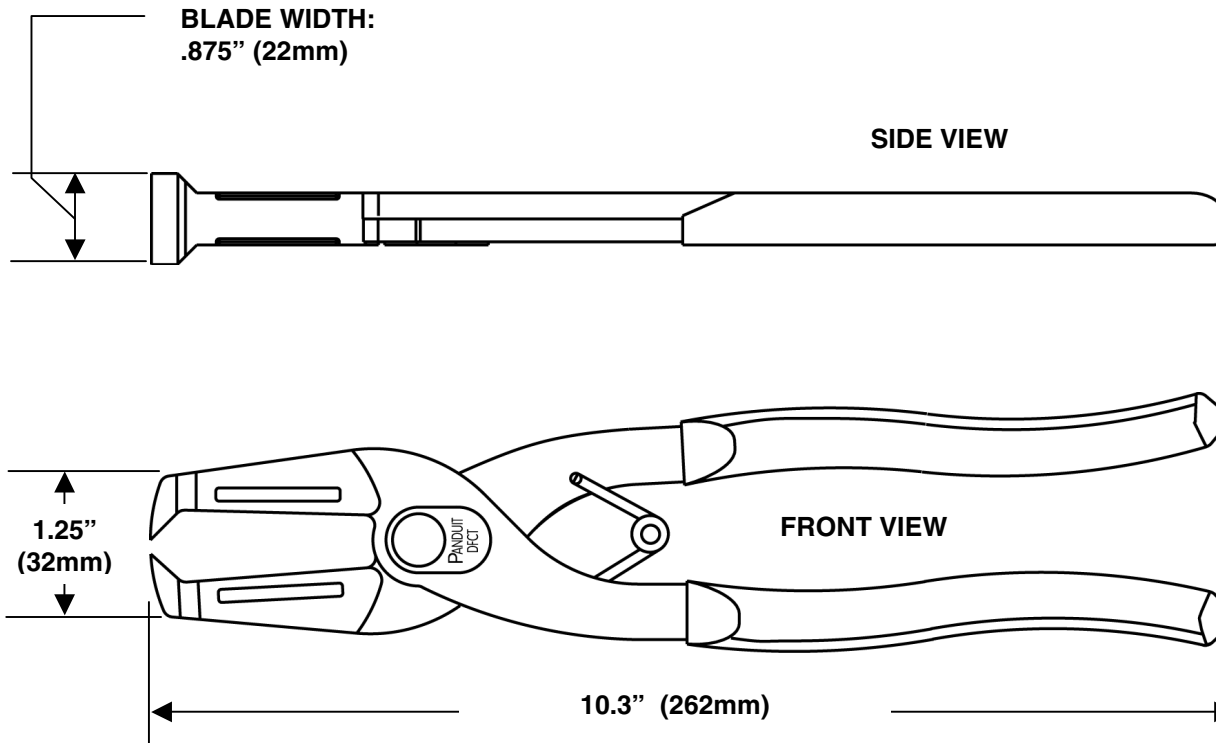


THIS COPY IS PROVIDED ON A RESTRICTED BASIS AND IS NOT TO BE USED IN ANY WAY DETRIMENTAL TO THE INTERESTS OF PANDUIT CORP.




**NOTES:**

- Cuts *PANDUCT* Wide Finger Wiring Duct
- Also removes NR1 Nylon Rivets
- Spring open handles
- Heavy duty steel construction

**WEIGHT:** 1.09 lb./ea.  
(495 gm./ea.)

**DIMENSIONS ARE FOR REFERENCE ONLY**

F:/wrkgrp/rvusers/engdocsnew/custdwgs/  
WD24740A01\_02 DFCT CD.doc

										CORP. TINLEY PARK, ILLINOIS	
								<b>TOOL * DFCT</b>			
								<b>DUCT FINGER CUTTING TOOL</b>			
								UNLESS OTHERWISE SPECIFIED, DIMENSIONAL TOLERANCES ARE:		UNLESS OTHERWISE SPECIFIED, ALL DIMENSIONS ARE GIVEN IN INCHES, THIRD ANGLE PROJECTION.	
02	3-23-05	BLR	MBR	ADD WIDE FINGER DUCT; SIDE VIEW W/DIM.	4153	--	DLWE	(.) ± ---	(.xxx) ± ---		
01	6-30-03	BLR	ABJ	REMOVE DUCT TYPES	4092	--	DLWE	DRAWN BY: BLR	MATL: -----	SCALE NONE	
00	6-25-03	BLR	ABJ	RELEASED	4092	--	DLWE	DATE: 6-25-03		DRAWING NO. <b>WD24740A01</b>	
REV	DATE	BY	CHK'D	DESCRIPTION	ECN	-R	CUST	SUP	CHK'D: ABJ		DWG <b>A</b> SIZE