

- Meet or Exceed the Requirements of ANSI TIA/EIA-644 Standard
- Operate With a Single 3.3-V Supply
- Designed for Signaling Rate of up to 400 Mbps
- Differential Input Thresholds  $\pm 100$  mV Max
- Typical Propagation Delay Time of 2.1 ns
- Power Dissipation 60 mW Typical Per Receiver at 200 MHz
- Bus-Terminal ESD Protection Exceeds 8 kV
- Low-Voltage TTL (LVTTTL) Logic Output Levels
- Pin Compatible With AM26LS32, MC3486, and  $\mu$ A9637
- Open-Circuit Fail-Safe

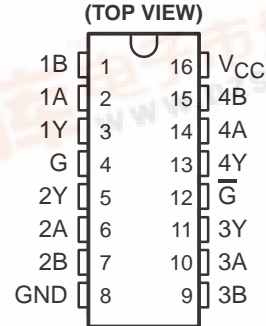
### description

The SN55LVDS32, SN65LVDS32, SN65LVDS3486, and SN65LVDS9637 are differential line receivers that implement the electrical characteristics of low-voltage differential signaling (LVDS). This signaling technique lowers the output voltage levels of 5-V differential standard levels (such as EIA/TIA-422B) to reduce the power, increase the switching speeds, and allow operation with a 3.3-V supply rail. Any of the four differential receivers provides a valid logical output state with a  $\pm 100$ -mV differential input voltage within the input common-mode voltage range. The input common-mode voltage range allows 1 V of ground potential difference between two LVDS nodes.

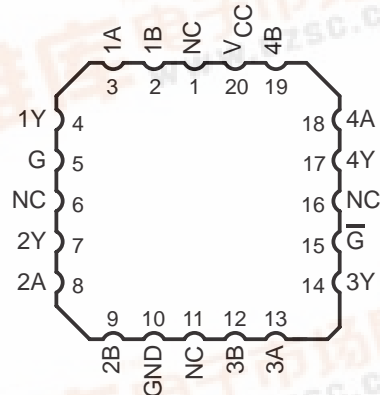
The intended application of these devices and signaling technique is both point-to-point and multidrop (one driver and multiple receivers) data transmission over controlled impedance media of approximately 100  $\Omega$ . The transmission media may be printed-circuit board traces, backplanes, or cables. The ultimate rate and distance of data transfer depends on the attenuation characteristics of the media and the noise coupling to the environment.

The SN65LVDS32, SN65LVDS3486, and SN65LVDS9637 are characterized for operation from  $-40^{\circ}\text{C}$  to  $85^{\circ}\text{C}$ . The SN55LVDS32 is characterized for operation from  $-55^{\circ}\text{C}$  to  $125^{\circ}\text{C}$ .

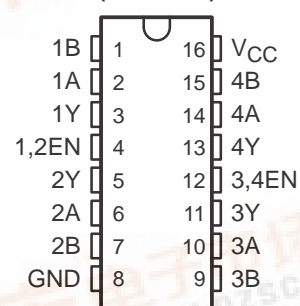
SN55LVDS32 ... J OR W  
 SN65LVDS32 ... D OR PW  
 (Marked as LVDS32 or 65LVDS32)



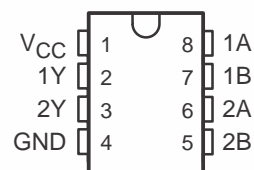
SN55LVDS32FK  
 (TOP VIEW)



SN65LVDS3486D (Marked as LVDS3486)  
 (TOP VIEW)



SN65LVDS9637D (Marked as DK637 or LVDS37)  
 SN65LVDS9637DGN (Marked as L37)  
 SN65LVDS9637DGK (Marked as AXF)  
 (TOP VIEW)



Please be aware that an important notice concerning availability, standard warranty, and use in critical applications of Texas Instruments semiconductor products and disclaimers thereto appears at the end of this data sheet.

PowerPAD is a trademark of Texas Instruments.

PRODUCTION DATA information is current as of publication date. Products conform to specifications per the terms of Texas Instruments standard warranty. Production processing does not necessarily include testing of all parameters.

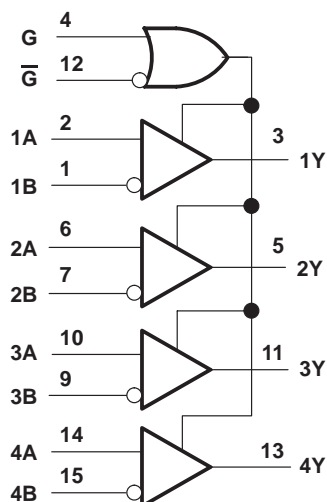
# SN55LVDS32, SN65LVDS32, SN65LVDS3486, SN65LVDS9637 HIGH-SPEED DIFFERENTIAL LINE RECEIVERS

SLLS262N – JULY 1997 – REVISED MARCH 2004

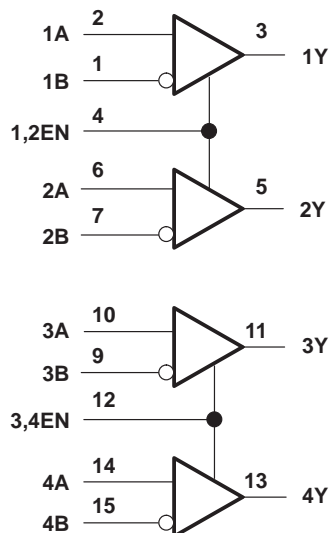
## AVAILABLE OPTIONS

T <sub>A</sub>	PACKAGE					
	SMALL OUTLINE		MSOP	CHIP CARRIER (FK)	CERAMIC DIP (J)	FLAT PACK (W)
	(D)	(PW)				
-40°C to 85°C	SN65LVDS32D	SN65LVDS32PW	—	—	—	—
	SN65LVDS3486D		—	—	—	—
	SN65LVDS9637D		SN65LVDS9637DGN	—	—	—
	—		SN65LVDS9637DGK	—	—	—
-55°C to 125°C	—	—	—	SNJ55LVDS32FK	SNJ55LVDS32J	SNJ55LVDS32W SN55LVDS32W

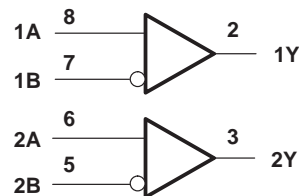
'LVDS32 logic diagram (positive logic)



SN65LVDS3486D logic diagram (positive logic)



SN65LVDS9637D logic diagram (positive logic)



# SN55LVDS32, SN65LVDS32, SN65LVDS3486, SN65LVDS9637 HIGH-SPEED DIFFERENTIAL LINE RECEIVERS

SLLS262N – JULY 1997 – REVISED MARCH 2004

**FUNCTION TABLE**  
**SN55LVDS32, SN65LVDS32**

DIFFERENTIAL INPUT A, B	ENABLES		OUTPUT Y
	G	$\overline{G}$	
$V_{ID} \geq 100 \text{ mV}$	H X	X L	H H
$-100 \text{ mV} < V_{ID} < 100 \text{ mV}$	H X	X L	? ?
$V_{ID} \leq -100 \text{ mV}$	H X	X L	L L
X	L	H	Z
Open	H X	X L	H H

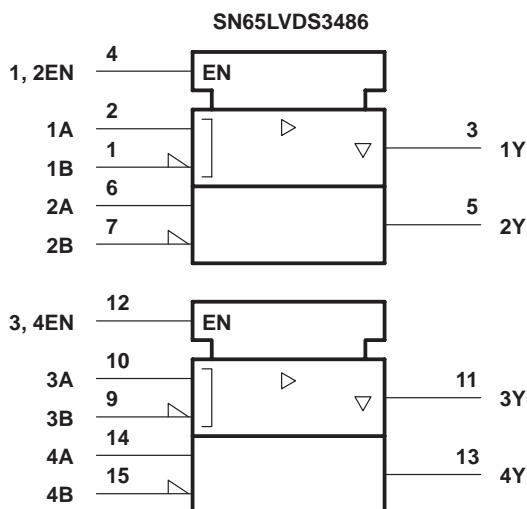
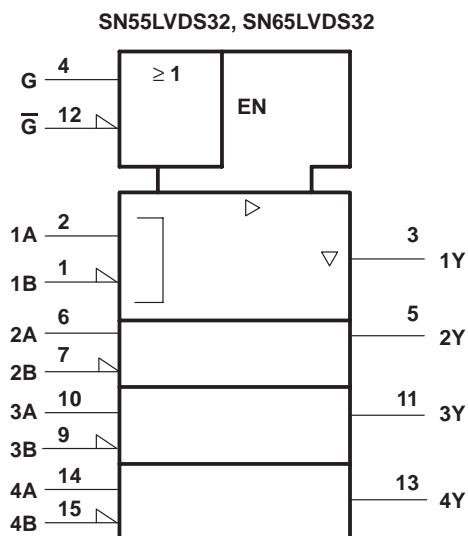
H = high level, L = low level, X = irrelevant, Z = high impedance (off), ? = indeterminate

**FUNCTION TABLE**  
**SN65LVDS3486**

DIFFERENTIAL INPUT A, B	ENABLE EN	OUTPUT Y
$V_{ID} \geq 100 \text{ mV}$	H	H
$-100 \text{ mV} < V_{ID} < 100 \text{ mV}$	H	?
$V_{ID} \leq -100 \text{ mV}$	H	L
X	L	Z
Open	H	H

H = high level, L = low level, X = irrelevant, Z = high impedance (off), ? = indeterminate

## logic symbols†



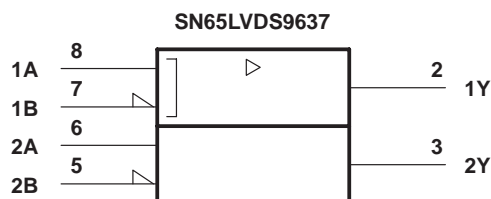
† This symbol is in accordance with ANSI/IEEE Std 91-1984 and IEC Publication 617-12.

**FUNCTION TABLE**  
**SN65LVDS9637**

DIFFERENTIAL INPUT A, B	OUTPUT Y
$V_{ID} \geq 100 \text{ mV}$	H
$-100 \text{ mV} < V_{ID} < 100 \text{ mV}$	?
$V_{ID} \leq -100 \text{ mV}$	L
Open	H

H = high level, L = low level, ? = indeterminate

## logic symbol†

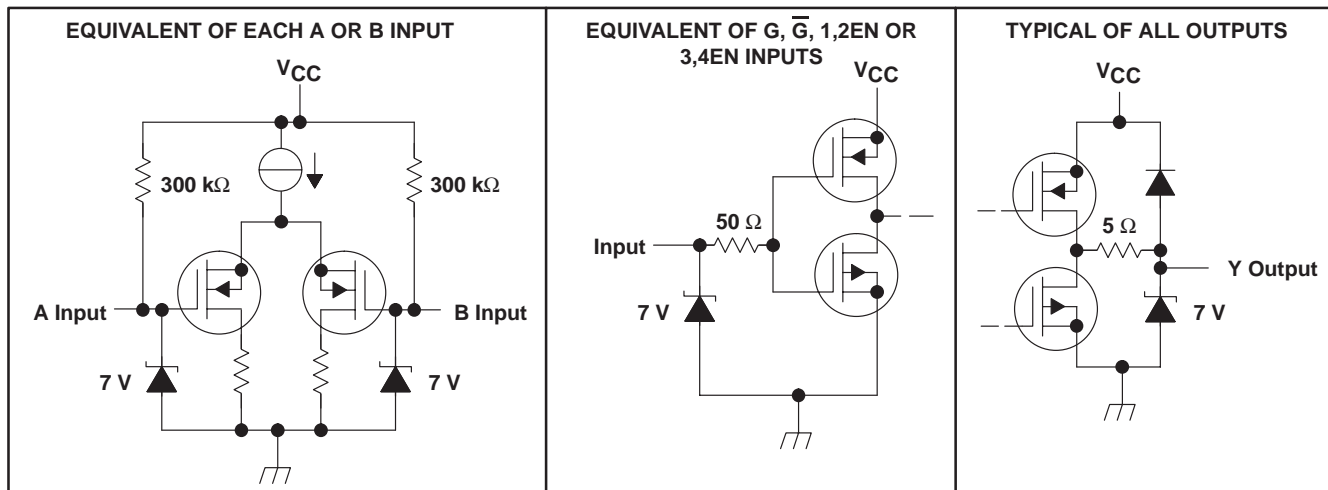


† This symbol is in accordance with ANSI/IEEE Std 91-1984 and IEC Publication 617-12.

# SN55LVDS32, SN65LVDS32, SN65LVDS3486, SN65LVDS9637 HIGH-SPEED DIFFERENTIAL LINE RECEIVERS

SLLS262N – JULY 1997 – REVISED MARCH 2004

## equivalent input and output schematic diagrams



## absolute maximum ratings over operating free-air temperature range (unless otherwise noted)†

Supply voltage range, $V_{CC}$ (see Note 1)	-0.5 V to 4 V
Input voltage range, $V_I$ (enables and output)	-0.5 V to $V_{CC} + 0.5$ V
Input voltage range, $V_I$ (A or B)	-0.5 V to 4 V
Continuous total power dissipation	See Dissipation Rating Table
Lead temperature 1,6 mm (1/16 inch) from case for 10 seconds	260°C
Storage temperature range, $T_{stg}$	-65°C to 150°C

† Stresses beyond those listed under “absolute maximum ratings” may cause permanent damage to the device. These are stress ratings only, and functional operation of the device at these or any other conditions beyond those indicated under “recommended operating conditions” is not implied. Exposure to absolute-maximum-rated conditions for extended periods may affect device reliability.

NOTE 1: All voltages, except differential I/O bus voltages, are with respect to the network ground terminal.

DISSIPATION RATING TABLE

PACKAGE	$T_A \leq 25^\circ\text{C}$ POWER RATING	DERATING FACTOR‡ ABOVE $T_A = 25^\circ\text{C}$	$T_A = 70^\circ\text{C}$ POWER RATING	$T_A = 85^\circ\text{C}$ POWER RATING	$T_A = 125^\circ\text{C}$ POWER RATING
D (8)	725 mW	5.8 mW/°C	464 mW	377 mW	—
D (16)	950 mW	7.6 mW/°C	608 mW	494 mW	—
DGK	425 mW	3.4 mW/°C	272 mW	221 mW	—
DGN§	2.14 W	17.1 mW/°C	1.37 W	1.11 W	—
FK	1375 mW	11.0 mW/°C	880 mW	715 mW	275 mW
J	1375 mW	11.0 mW/°C	880 mW	715 mW	275 mW
PW (16)	774 mW	6.2 mW/°C	496 mW	402 mW	—
W	1000 mW	8.0 mW/°C	640 mW	520 mW	200 mW

‡ This is the inverse of the junction-to-ambient thermal resistance when board mounted and with no air flow.

§ The PowerPAD™ must be soldered to a thermal land on the printed-circuit board. See the application note *PowerPAD Thermally Enhanced Package* (SLMA002)

# SN55LVDS32, SN65LVDS32, SN65LVDS3486, SN65LVDS9637 HIGH-SPEED DIFFERENTIAL LINE RECEIVERS

SLLS262N – JULY 1997 – REVISED MARCH 2004

## recommended operating conditions

		MIN	NOM	MAX	UNIT
Supply voltage, $V_{CC}$		3	3.3	3.6	V
High-level input voltage, $V_{IH}$	$G, \bar{G}, 1, 2EN, \text{ or } 3, 4EN$	2			V
Low-level input voltage, $V_{IL}$	$G, \bar{G}, 1, 2EN, \text{ or } 3, 4EN$			0.8	V
Magnitude of differential input voltage, $ V_{ID} $		0.1		0.6	V
Common-mode input voltage, $V_{IC}$ (see Figure 1)		$\frac{ V_{ID} }{2}$	$2.4 - \frac{ V_{ID} }{2}$		V
			$V_{CC} - 0.8$		
Operating free-air temperature, $T_A$		SN65 prefix		85	°C
		SN55 prefix	-40	125	

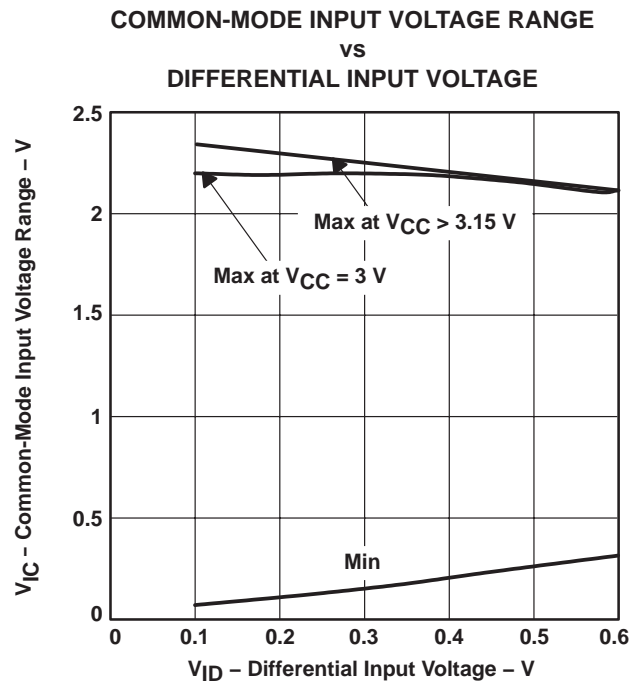


Figure 1.  $V_{IC}$  Versus  $V_{ID}$  and  $V_{CC}$

# SN55LVDS32, SN65LVDS32, SN65LVDS3486, SN65LVDS9637 HIGH-SPEED DIFFERENTIAL LINE RECEIVERS

SLLS262N – JULY 1997 – REVISED MARCH 2004

## SN55LVDS32 electrical characteristics over recommended operating conditions (unless otherwise noted)

PARAMETER		TEST CONDITIONS	MIN	TYP†	MAX	UNIT
V <sub>I</sub> TH+	Positive-going differential input voltage threshold	See Figure 2, Table 1, and Note 2			100	mV
V <sub>I</sub> TH-	Negative-going differential input voltage threshold‡	See Figure 2, Table 1, and Note 2	-100			mV
V <sub>OH</sub>	High-level output voltage	I <sub>OH</sub> = -8 mA	2.4			V
V <sub>OL</sub>	Low-level output voltage	I <sub>OL</sub> = 8 mA			0.4	V
I <sub>CC</sub>	Supply current	Enabled, No load		10	18	mA
		Disabled		0.25	0.5	
I <sub>I</sub>	Input current (A or B inputs)	V <sub>I</sub> = 0	-2	-10	-20	μA
		V <sub>I</sub> = 2.4 V	-1.2	-3		
I <sub>I(OFF)</sub>	Power-off input current (A or B inputs)	V <sub>CC</sub> = 0, V <sub>I</sub> = 2.4 V		6	20	μA
I <sub>IH</sub>	High-level input current (EN, G, or $\overline{G}$ inputs)	V <sub>IH</sub> = 2 V			10	μA
I <sub>IL</sub>	Low-level input current (EN, G, or $\overline{G}$ inputs)	V <sub>IL</sub> = 0.8 V			10	μA
I <sub>OZ</sub>	High-impedance output current	V <sub>O</sub> = 0 or V <sub>CC</sub>			±12	μA

† All typical values are at T<sub>A</sub> = 25°C and with V<sub>CC</sub> = 3.3 V.

‡ The algebraic convention, in which the less-positive (more-negative) limit is designated minimum, is used in this data sheet for the negative-going differential input voltage threshold only.

NOTE 2: |V<sub>I</sub>TH| = 200 mV for operation at -55°C

## SN55LVDS32 switching characteristics over recommended operating conditions (unless otherwise noted)

PARAMETER		TEST CONDITIONS	MIN	TYP	MAX	UNIT
t <sub>PLH</sub>	Propagation delay time, low-to-high-level output	C <sub>L</sub> = 10 pF, See Figure 3	1.3	2.3	6	ns
t <sub>PHL</sub>	Propagation delay time, high-to-low-level output		1.4	2.2	6.1	ns
t <sub>sk(o)</sub>	Channel-to-channel output skew§			0.1		ns
t <sub>r</sub>	Output signal rise time, 20% to 80%			0.6		ns
t <sub>f</sub>	Output signal fall time, 80% to 20%			0.7		ns
t <sub>PHZ</sub>	Propagation delay time, high-level-to-high-impedance output	See Figure 4		6.5	12	ns
t <sub>PLZ</sub>	Propagation delay time, low-level-to-high-impedance output			5.5	12	ns
t <sub>PZH</sub>	Propagation delay time, high-impedance-to-high-level output			8	14	ns
t <sub>PZL</sub>	Propagation delay time, high-impedance-to-low-level output			3	12	ns

§ t<sub>sk(o)</sub> is the maximum delay time difference between drivers on the same device.

# SN55LVDS32, SN65LVDS32, SN65LVDS3486, SN65LVDS9637 HIGH-SPEED DIFFERENTIAL LINE RECEIVERS

SLLS262N – JULY 1997 – REVISED MARCH 2004

## SN65LVDSxxxx electrical characteristics over recommended operating conditions (unless otherwise noted)

PARAMETER		TEST CONDITIONS	SN65LVDS32 SN65LVDS3486 SN65LVDS9637			UNIT	
			MIN	TYP†	MAX		
$V_{IT+}$	Positive-going differential input voltage threshold	See Figure 2 and Table 1			100	mV	
$V_{IT-}$	Negative-going differential input voltage threshold‡	See Figure 2 and Table 1	-100			mV	
$V_{OH}$	High-level output voltage	$I_{OH} = -8$ mA	2.4			V	
		$I_{OH} = -4$ mA	2.8				
$V_{OL}$	Low-level output voltage	$I_{OL} = 8$ mA			0.4	V	
$I_{CC}$	Supply current	Enabled, No load	SN65LVDS32, SN65LVDS3486		10	18	mA
			SN65LVDS9637		5.5	10	
		Disabled		0.25	0.5		
$I_I$	Input current (A or B inputs)	$V_I = 0$	-2	-10	-20	$\mu$ A	
		$V_I = 2.4$ V	-1.2	-3			
$I_{I(OFF)}$	Power-off input current (A or B inputs)	$V_{CC} = 0$ , $V_I = 3.6$ V		6	20	$\mu$ A	
$I_{IH}$	High-level input current (EN, G, or $\bar{G}$ inputs)	$V_{IH} = 2$ V			10	$\mu$ A	
$I_{IL}$	Low-level input current (EN, G, or $\bar{G}$ inputs)	$V_{IL} = 0.8$ V			10	$\mu$ A	
$I_{OZ}$	High-impedance output current	$V_O = 0$ or $V_{CC}$			$\pm 10$	$\mu$ A	

† All typical values are at  $T_A = 25^\circ\text{C}$  and with  $V_{CC} = 3.3$  V.

‡ The algebraic convention, in which the less-positive (more-negative) limit is designated minimum, is used in this data sheet for the negative-going differential input voltage threshold only.

## SN65LVDSxxxx switching characteristics over recommended operating conditions (unless otherwise noted)

PARAMETER		TEST CONDITIONS	SN65LVDS32 SN65LVDS3486 SN65LVDS9637			UNIT
			MIN	TYP	MAX	
$t_{PLH}$	Propagation delay time, low-to-high-level output	$C_L = 10$ pF, See Figure 3	1.5	2.1	3	ns
$t_{PHL}$	Propagation delay time, high-to-low-level output		1.5	2.1	3	ns
$t_{sk(p)}$	Pulse skew ( $ t_{PHL} - t_{PLH} $ )			0	0.4	ns
$t_{sk(o)}$	Channel-to-channel output skew§			0.1	0.3	ns
$t_{sk(pp)}$	Part-to-part skew¶				1	ns
$t_r$	Output signal rise time, 20% to 80%			0.6		ns
$t_f$	Output signal fall time, 80% to 20%			0.7		ns
$t_{PHZ}$	Propagation delay time, high-level-to-high-impedance output	See Figure 4		6.5	12	ns
$t_{PLZ}$	Propagation delay time, low-level-to-high-impedance output			5.5	12	ns
$t_{PZH}$	Propagation delay time, high-impedance-to-high-level output			8	12	ns
$t_{PZL}$	Propagation delay time, high-impedance-to-low-level output			3	12	ns

§  $t_{sk(o)}$  is the skew between specified outputs of a single device with all driving inputs connected together and the outputs switching in the same direction while driving identical specified loads.

¶  $t_{sk(pp)}$  is the magnitude of the difference in propagation delay times between any specified terminals of two devices when both devices operate with the same supply voltages, same temperature, and have identical packages and test circuits.

# SN55LVDS32, SN65LVDS32, SN65LVDS3486, SN65LVDS9637 HIGH-SPEED DIFFERENTIAL LINE RECEIVERS

SLLS262N – JULY 1997 – REVISED MARCH 2004

## PARAMETER MEASUREMENT INFORMATION

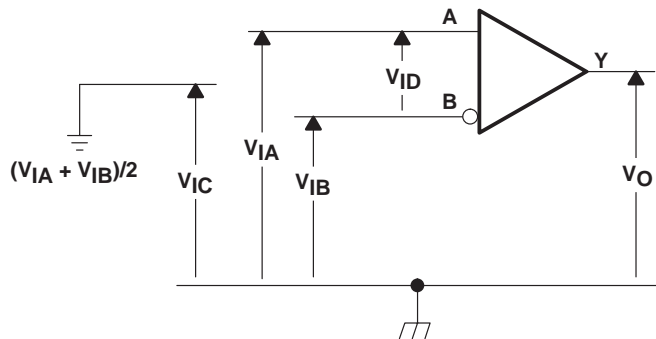


Figure 2. Voltage Definitions

Table 1. Receiver Minimum and Maximum Input Threshold Test Voltages

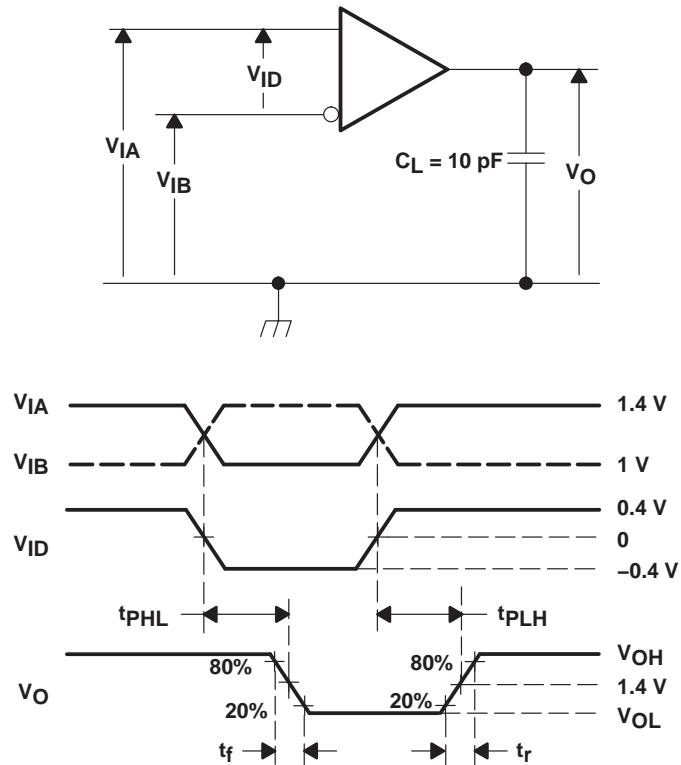
APPLIED VOLTAGES		RESULTING DIFFERENTIAL INPUT VOLTAGE	RESULTING COMMON-MODE INPUT VOLTAGE
$V_{IA}$ (V)	$V_{IB}$ (V)	$V_{ID}$ (mV)	$V_{IC}$ (V)
1.25	1.15	100	1.2
1.15	1.25	-100	1.2
2.4	2.3	100	2.35
2.3	2.4	-100	2.35
0.1	0	100	0.05
0	0.1	-100	0.05
1.5	0.9	600	1.2
0.9	1.5	-600	1.2
2.4	1.8	600	2.1
1.8	2.4	-600	2.1
0.6	0	600	0.3
0	0.6	-600	0.3



# SN55LVDS32, SN65LVDS32, SN65LVDS3486, SN65LVDS9637 HIGH-SPEED DIFFERENTIAL LINE RECEIVERS

SLLS262N – JULY 1997 – REVISED MARCH 2004

## PARAMETER MEASUREMENT INFORMATION



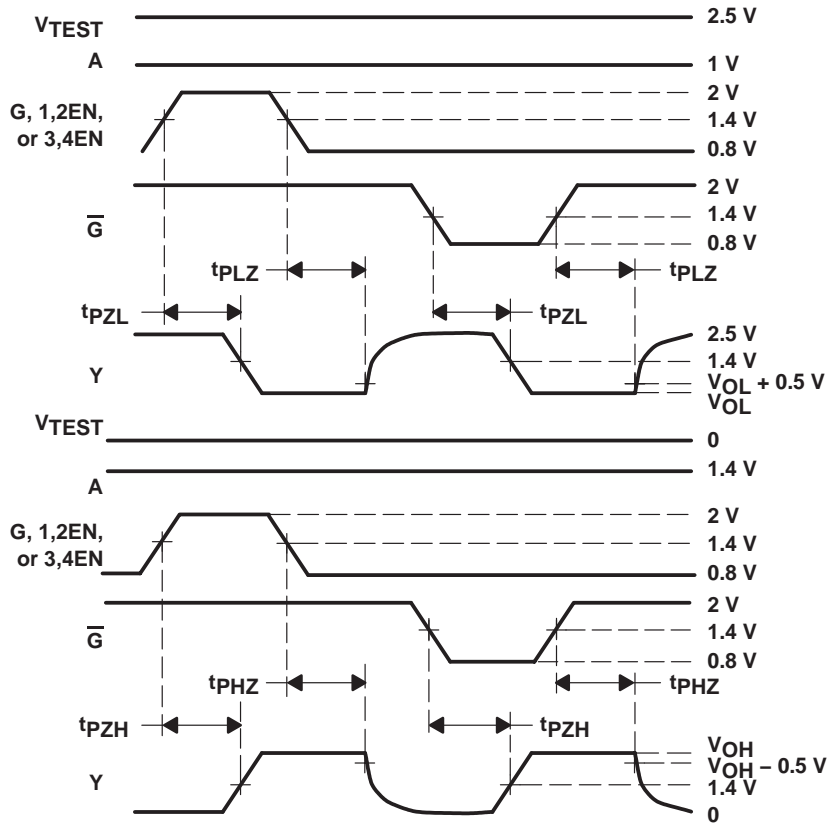
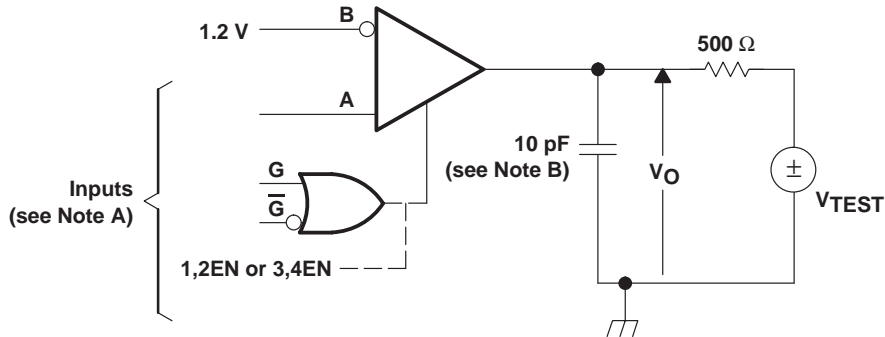
- NOTES: A. All input pulses are supplied by a generator having the following characteristics:  $t_r$  or  $t_f \leq 1 \text{ ns}$ , pulse repetition rate (PRR) = 50 Mpps, pulse width =  $10 \pm 0.2 \text{ ns}$ .  
B.  $C_L$  includes instrumentation and fixture capacitance within 6 mm of the D.U.T.

**Figure 3. Timing Test Circuit and Waveforms**

# SN55LVDS32, SN65LVDS32, SN65LVDS3486, SN65LVDS9637 HIGH-SPEED DIFFERENTIAL LINE RECEIVERS

SLLS262N – JULY 1997 – REVISED MARCH 2004

## PARAMETER MEASUREMENT INFORMATION



NOTES: A. All input pulses are supplied by a generator having the following characteristics:  $t_r$  or  $t_f \leq 1$  ns, pulse repetition rate (PRR) = 0.5 Mpps, pulse width =  $500 \pm 10$  ns.

B.  $C_L$  includes instrumentation and fixture capacitance within 6 mm of the D.U.T.

Figure 4. Enable- and Disable-Time Test Circuit and Waveforms

# SN55LVDS32, SN65LVDS32, SN65LVDS3486, SN65LVDS9637 HIGH-SPEED DIFFERENTIAL LINE RECEIVERS

SLLS262N – JULY 1997 – REVISED MARCH 2004

## TYPICAL CHARACTERISTICS

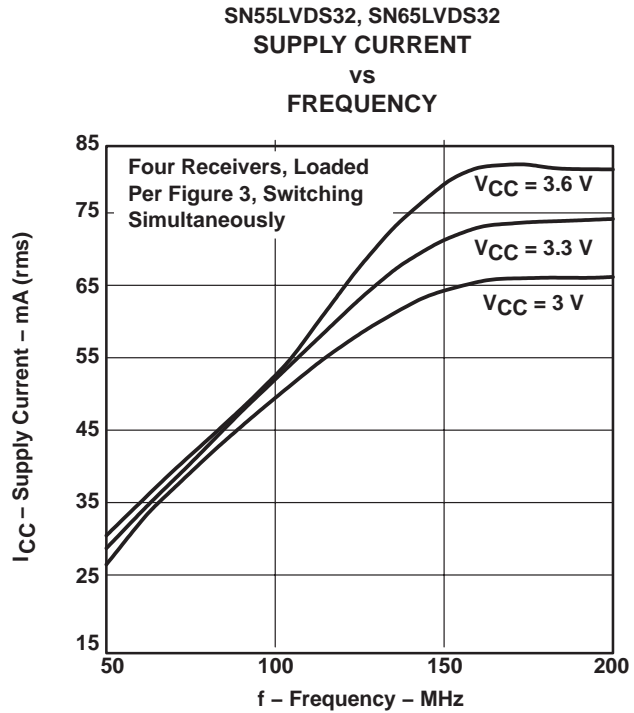


Figure 5

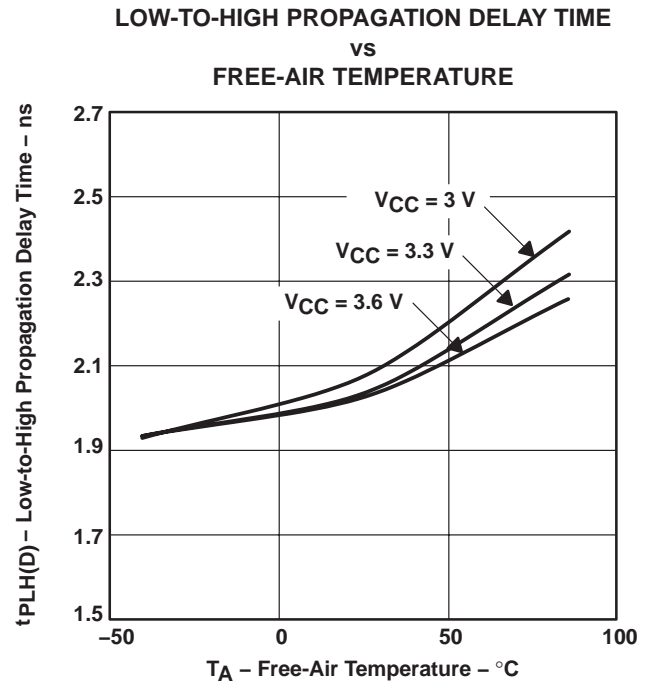


Figure 6

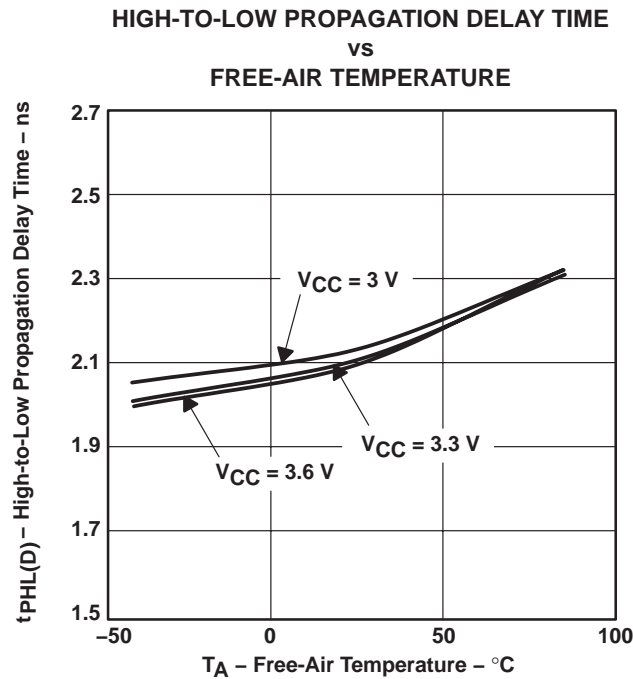


Figure 7

# SN55LVDS32, SN65LVDS32, SN65LVDS3486, SN65LVDS9637 HIGH-SPEED DIFFERENTIAL LINE RECEIVERS

SLLS262N – JULY 1997 – REVISED MARCH 2004

## TYPICAL CHARACTERISTICS

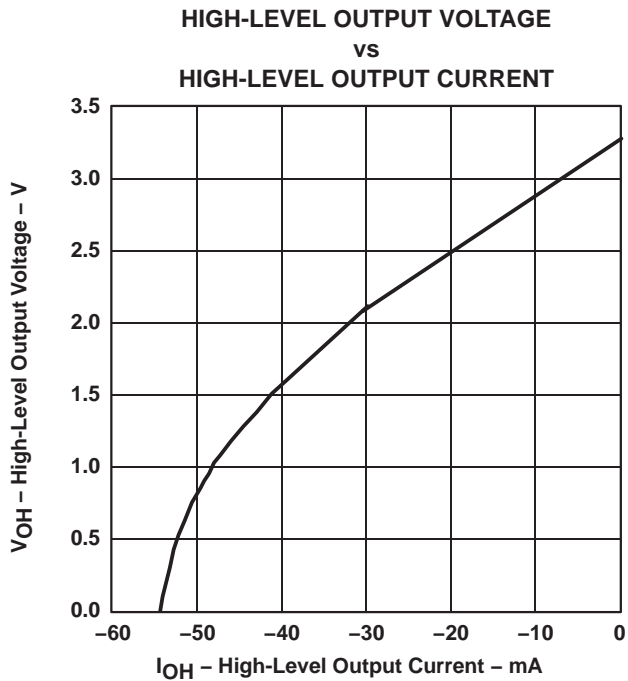


Figure 8

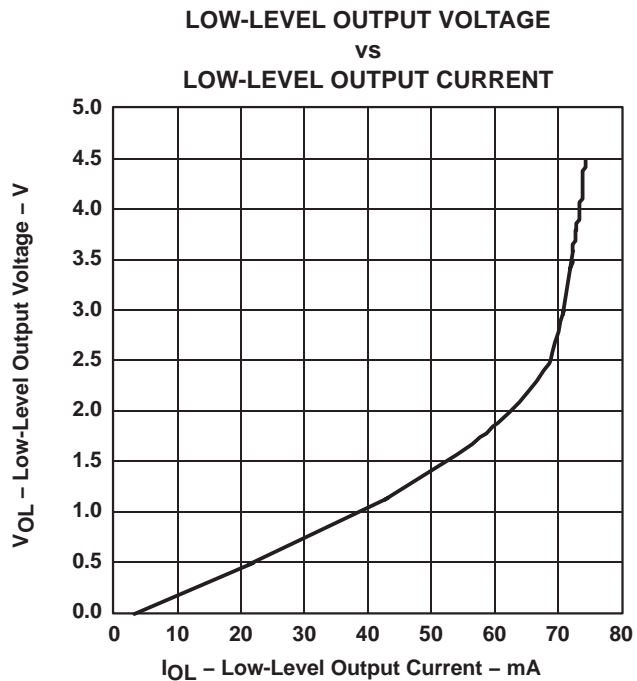


Figure 9

# SN55LVDS32, SN65LVDS32, SN65LVDS3486, SN65LVDS9637 HIGH-SPEED DIFFERENTIAL LINE RECEIVERS

SLLS262N – JULY 1997 – REVISED MARCH 2004

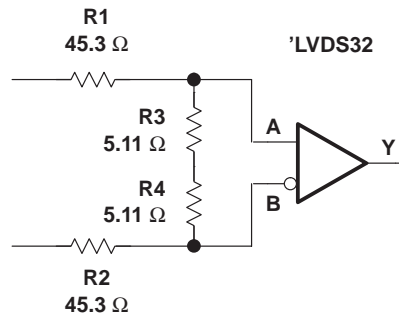
## APPLICATION INFORMATION

### using an LVDS receiver with RS-422 data

Receipt of data from a TIA/EIA-422 line driver can be accomplished using a TIA/EIA-644 line receiver with the addition of an attenuator circuit. This technique gives the user a high-speed and low-power 422 receiver.

If the ground noise between the transmitter and receiver is not a concern (less than  $\pm 1$  V), the answer can be as simple as shown in Figure 10. A resistor divider circuit in front of the LVDS receiver attenuates the 422 differential signal to LVDS levels.

The resistors present a total differential load of  $100\ \Omega$  to match the characteristic impedance of the transmission line and to reduce the signal 10:1. The maximum 422 differential output signal, or 6 V, is reduced to 600 mV. The high input impedance of the LVDS receiver prevents input bias offsets and maintains a greater than 200-mV differential input voltage threshold at the inputs to the divider. This circuit is used in front of each LVDS channel that also receives 422 signals.



NOTE A: The components used were standard values.

R1, R2 = NRC12F45R3TR, NIC components, 45.3 Ω, 1/8 W, 1%, 1206 package

R3, R4 = NRC12F5R11TR, NIC components, 5.11 Ω, 1/8 W, 1%, 1206 package

The resistor values do not need to be 1% tolerance. However, it can be difficult locating a supplier of resistors having values less than  $100\ \Omega$  in stock and readily available. The user may find other suppliers with comparable parts having tolerances of 5% or even 10%. These parts are adequate for use in this circuit.

**Figure 10. RS-422 Data Input to an LVDS Receiver Under Low Ground-Noise Conditions**

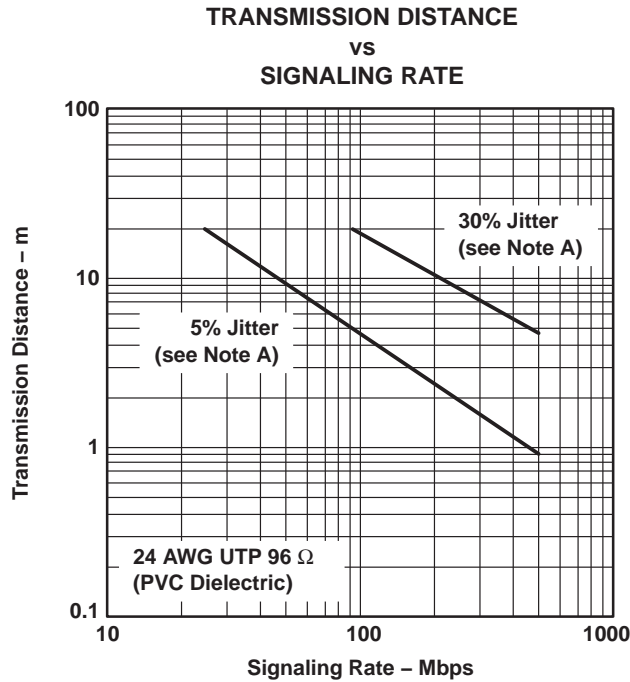
If ground noise between the RS-422 driver and LVDS receiver is a concern, the common-mode voltage must be attenuated. The circuit must then be modified to connect the node between R3 and R4 to the LVDS receiver ground. This modification to the circuit increases the common-mode voltage from  $\pm 1$  V to greater than  $\pm 4.5$  V.

# SN55LVDS32, SN65LVDS32, SN65LVDS3486, SN65LVDS9637 HIGH-SPEED DIFFERENTIAL LINE RECEIVERS

SLLS262N – JULY 1997 – REVISED MARCH 2004

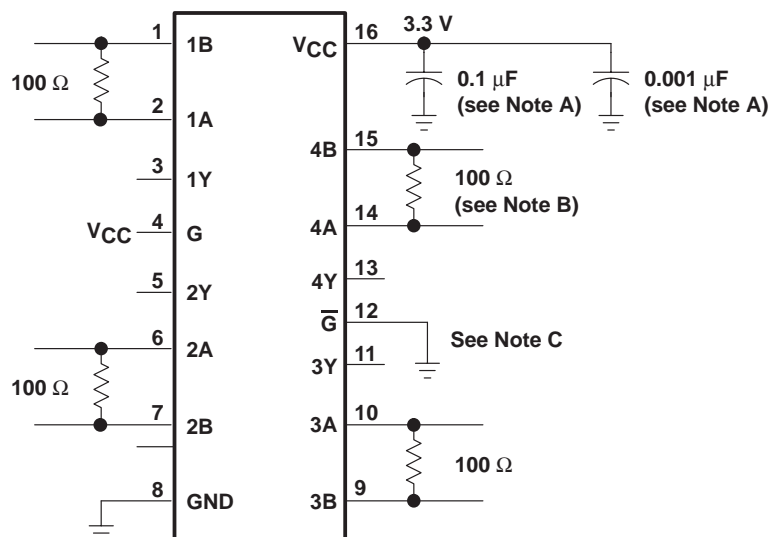
## APPLICATION INFORMATION

The devices are generally used as building blocks for high-speed point-to-point data transmission where ground differences are less than 1 V. Devices can interoperate with RS-422, PECL, and IEEE-P1596. Drivers/receivers approach ECL speeds without the power and dual-supply requirements.



NOTE A: This parameter is the percentage of distortion of the unit interval (UI) with a pseudorandom data pattern.

**Figure 11. Typical Transmission Distance Versus Signaling Rate**



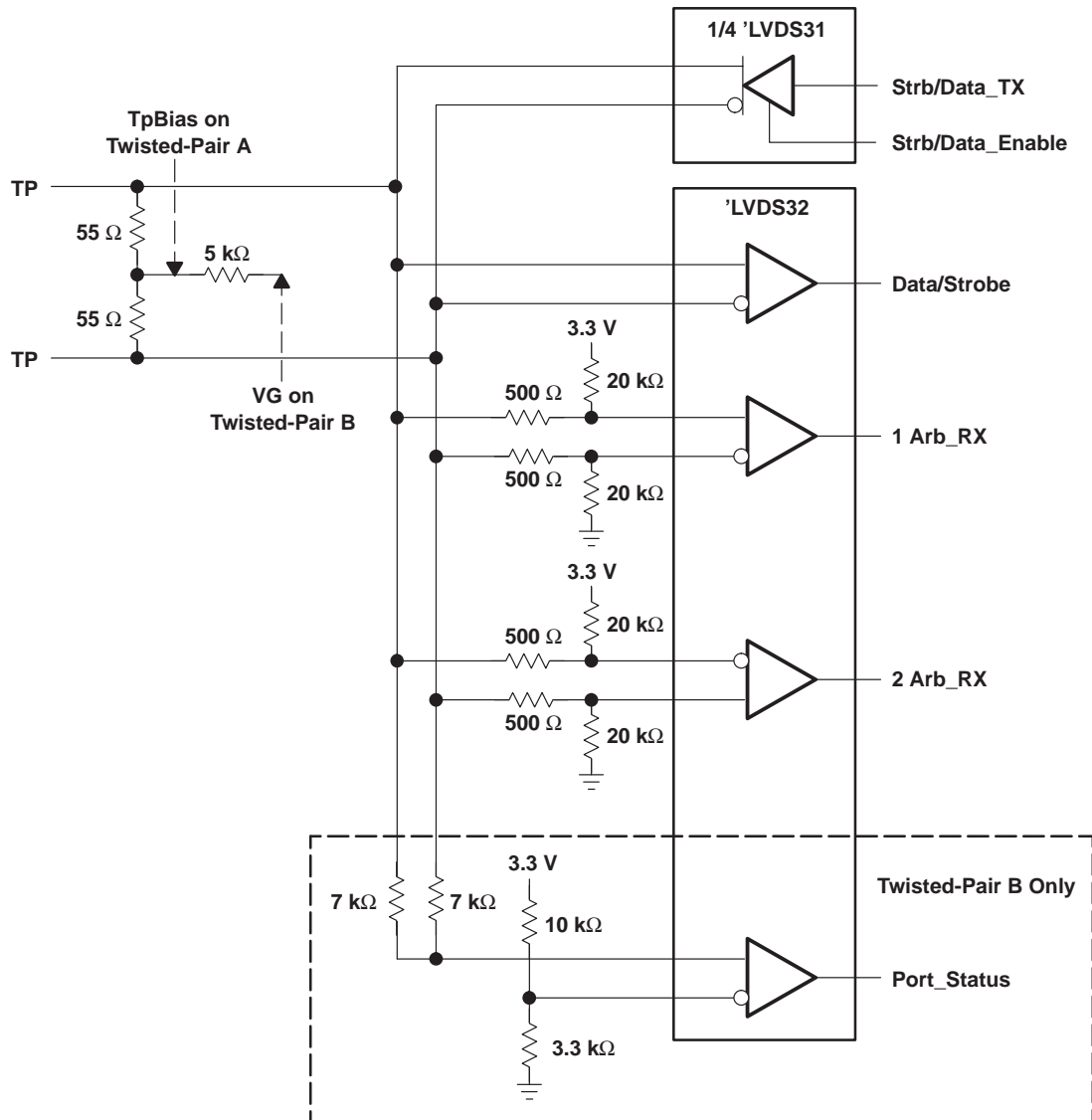
- NOTES: A. Place a 0.1- $\mu$ F and a 0.001- $\mu$ F Z5U ceramic, mica, or polystyrene dielectric, 0805 size, chip capacitor between  $V_{CC}$  and the ground plane. The capacitors should be located as close as possible to the device terminals.  
 B. The termination resistance value should match the nominal characteristic impedance of the transmission media with  $\pm 10\%$ .  
 C. Unused enable inputs should be tied to  $V_{CC}$  or GND as appropriate.

**Figure 12. Typical Application Circuit Schematic**

# SN55LVDS32, SN65LVDS32, SN65LVDS3486, SN65LVDS9637 HIGH-SPEED DIFFERENTIAL LINE RECEIVERS

SLLS262N – JULY 1997 – REVISED MARCH 2004

## APPLICATION INFORMATION



- NOTES:
- A. Resistors are leadless, thick film (0603), 5% tolerance.
  - B. Decoupling capacitance is not shown but recommended.
  - C.  $V_{CC}$  is 3 V to 3.6 V.
  - D. The differential output voltage of the 'LVDS31 can exceed that allowed by IEEE1394.

Figure 13. 100-Mbps IEEE 1394 Transceiver

# SN55LVDS32, SN65LVDS32, SN65LVDS3486, SN65LVDS9637 HIGH-SPEED DIFFERENTIAL LINE RECEIVERS

SLLS262N – JULY 1997 – REVISED MARCH 2004

## APPLICATION INFORMATION

### fail-safe

One of the most common problems with differential signaling applications is how the system responds when no differential voltage is present on the signal pair. The LVDS receiver is like most differential line receivers in that its output logic state can be indeterminate when the differential input voltage is between  $-100\text{ mV}$  and  $100\text{ mV}$  if it is within its recommended input common-mode voltage range. However, TI LVDS receivers handle the open-input circuit situation differently.

Open-input circuit means that there is little or no input current to the receiver from the data line itself. This could be when the driver is in a high-impedance state or the cable is disconnected. When this occurs, the LVDS receiver pulls each line of the signal pair to near  $V_{CC}$  through  $300\text{-k}\Omega$  resistors (see Figure 14). The fail-safe feature uses an AND gate with input voltage thresholds at about  $2.3\text{ V}$  to detect this condition and force the output to a high level, regardless of the differential input voltage.

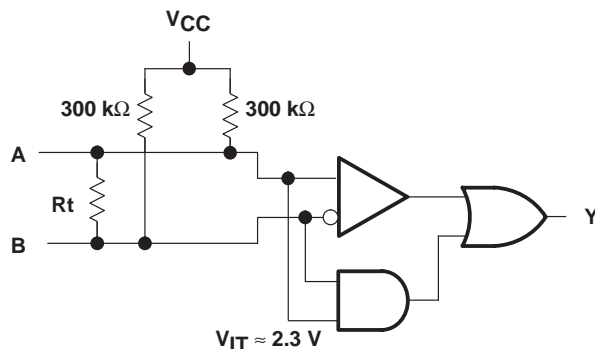


Figure 14. Open-Circuit Fail-Safe of LVDS Receiver

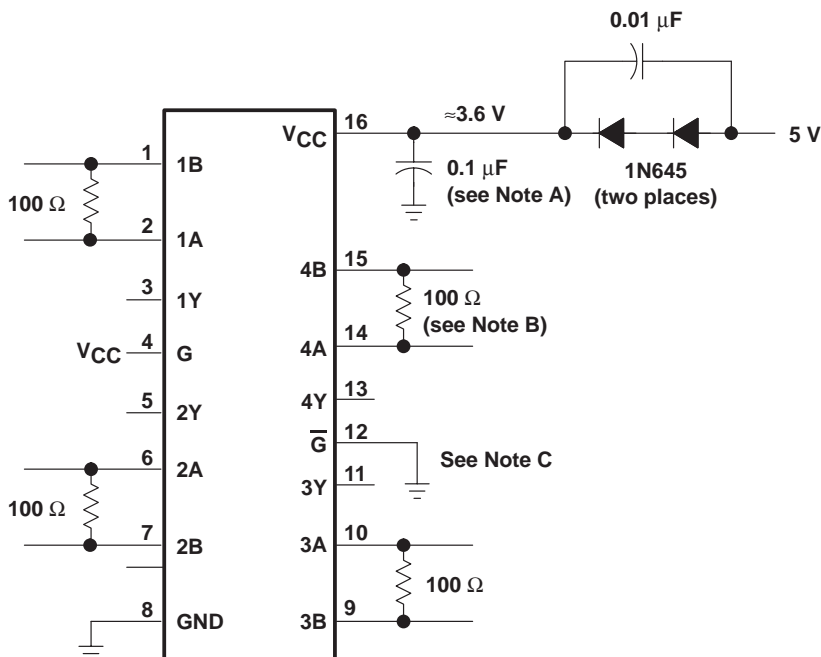
It is only under these conditions that the output of the receiver is valid with less than a  $100\text{-mV}$  differential input voltage magnitude. The presence of the termination resistor,  $R_t$ , does not affect the fail-safe function as long as it is connected as shown in Figure 14. Other termination circuits may allow a dc current to ground that could defeat the pullup currents from the receiver and the fail-safe feature.



# SN55LVDS32, SN65LVDS32, SN65LVDS3486, SN65LVDS9637 HIGH-SPEED DIFFERENTIAL LINE RECEIVERS

SLLS262N – JULY 1997 – REVISED MARCH 2004

## APPLICATION INFORMATION



- NOTES:
- A. Place a 0.1- $\mu\text{F}$  Z5U ceramic, mica, or polystyrene dielectric, 0805 size, chip capacitor between  $V_{CC}$  and the ground plane. The capacitor should be located as close as possible to the device terminals.
  - B. The termination resistance value should match the nominal characteristic impedance of the transmission media with  $\pm 10\%$ .
  - C. Unused enable inputs should be tied to  $V_{CC}$  or  $GND$ , as appropriate.

**Figure 15. Operation With 5-V Supply**

### related information

IBIS modeling is available for this device. Please contact the local TI sales office or the TI Web site at [www.ti.com](http://www.ti.com) for more information.

For more application guidelines, please see the following documents:

- *Low-Voltage Differential Signaling Design Notes* (literature number SLLA014)
- *Interface Circuits for TIA/EIA-644 (LVDS)* (literature number SLLA038)
- *Reducing EMI With LVDS* (literature number SLLA030)
- *Slew Rate Control of LVDS Circuits* (literature number SLLA034)
- *Using an LVDS Receiver With TIA/EIA-422 Data* (literature number SLLA031)
- *Low Voltage Differential Signaling (LVDS) EVM* (literature number SLLA033)

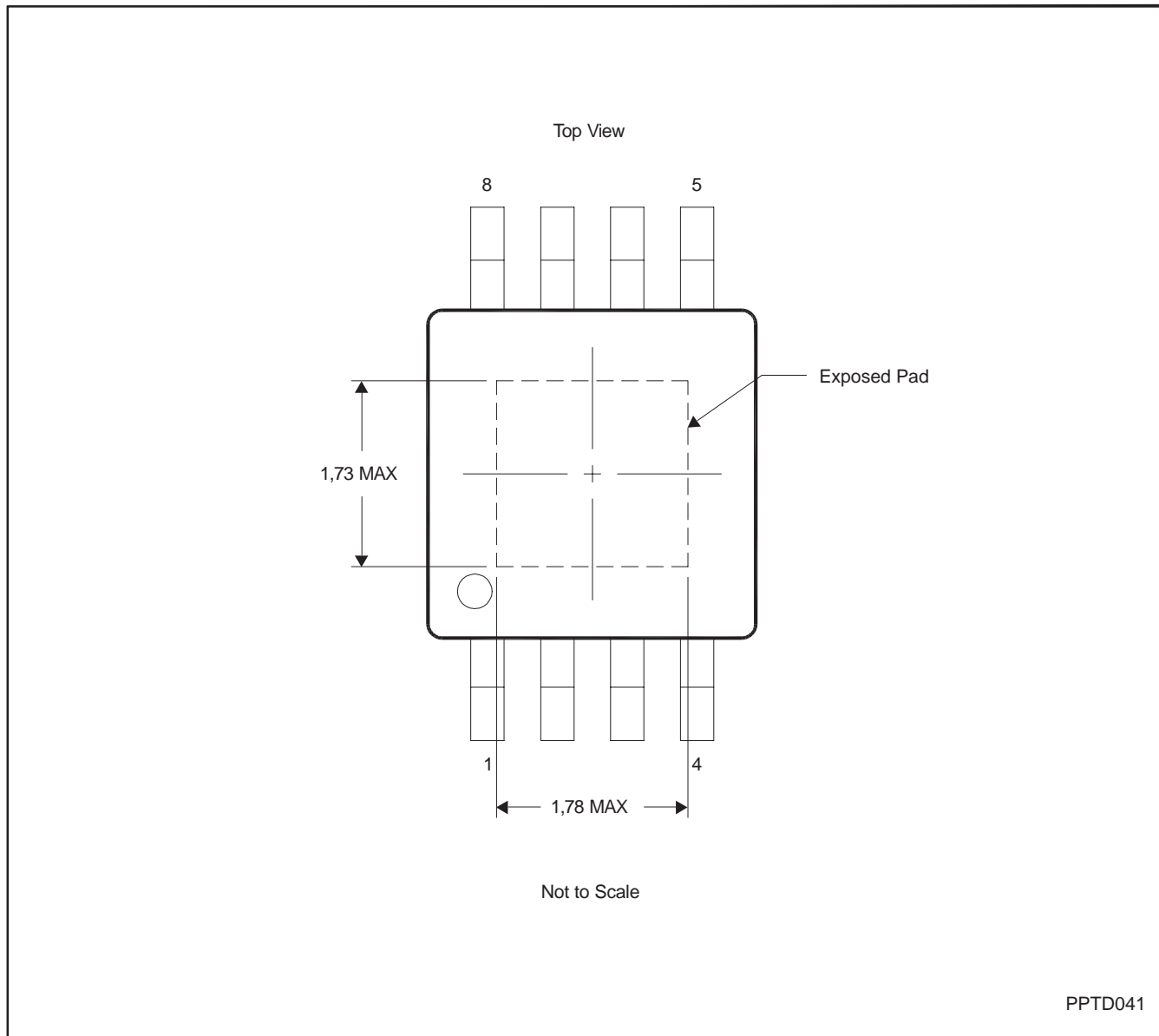
# SN55LVDS32, SN65LVDS32, SN65LVDS3486, SN65LVDS9637 HIGH-SPEED DIFFERENTIAL LINE RECEIVERS

SLLS262N – JULY 1997 – REVISED MARCH 2004

## THERMAL PAD MECHANICAL DATA

DGN (S-PDSO-G8)

PowerPAD™ PLASTIC SMALL-OUTLINE



- NOTES: A. All linear dimensions are in millimeters.  
B. This drawing is subject to change without notice.  
C. For additional information on the PowerPAD™ package and how to take advantage of its heat dissipating abilities, refer to Technical Brief, *PowerPAD Thermally Enhanced Package*, Texas Instruments Literature No. SLMA002 and Application Brief, *PowerPAD Made Easy*, Texas Instruments Literature No. SLMA004. Both documents are available at [www.ti.com](http://www.ti.com).

PowerPAD is a trademark of Texas Instruments

# SN55LVDS32, SN65LVDS32, SN65LVDS3486, SN65LVDS9637 HIGH-SPEED DIFFERENTIAL LINE RECEIVERS

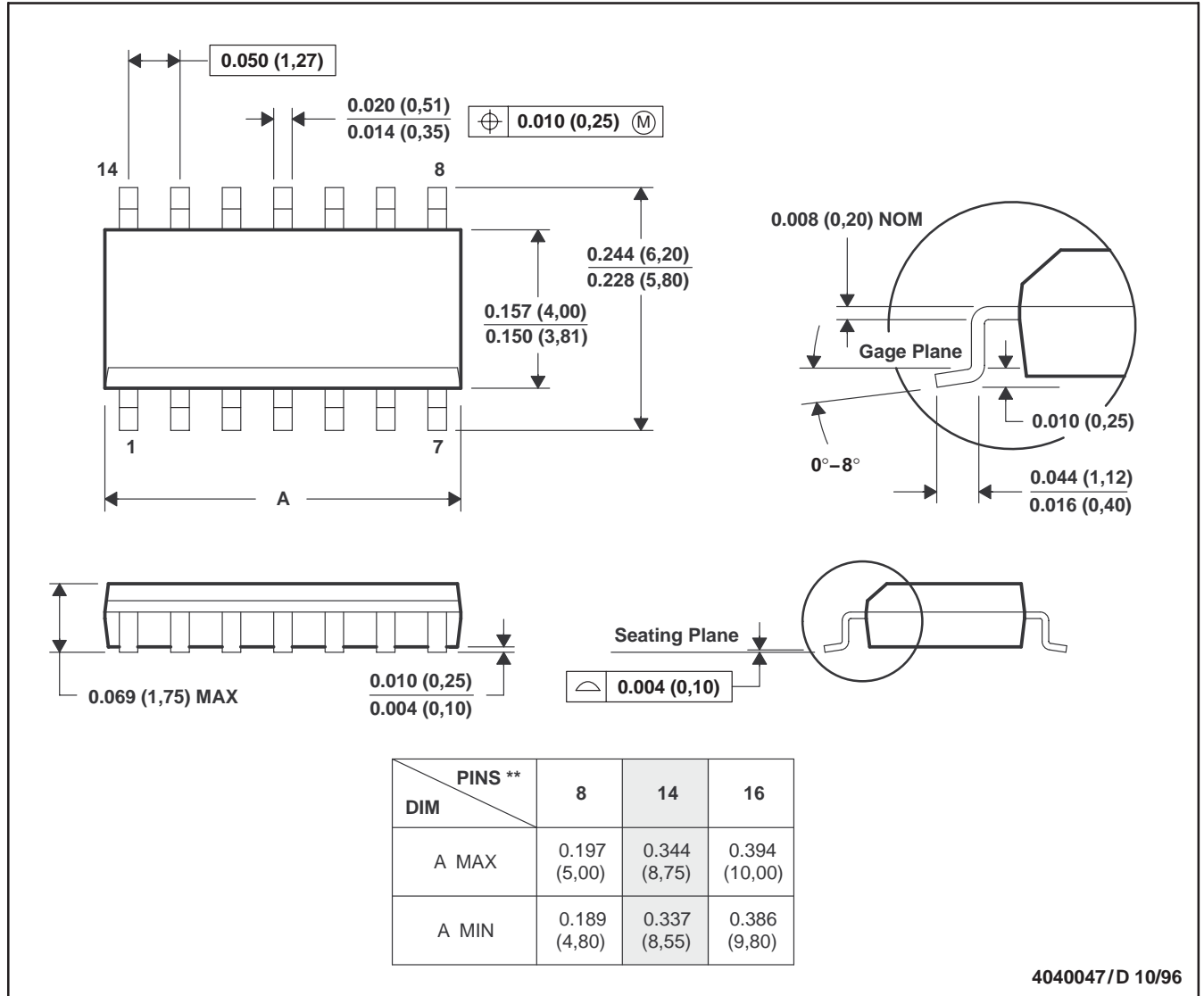
SLLS262N – JULY 1997 – REVISED MARCH 2004

## MECHANICAL INFORMATION

D (R-PDSO-G\*\*)

PLASTIC SMALL-OUTLINE PACKAGE

14 PIN SHOWN



- NOTES: A. All linear dimensions are in inches (millimeters).  
 B. This drawing is subject to change without notice.  
 C. Body dimensions do not include mold flash or protrusion, not to exceed 0.006 (0,15).  
 D. Falls within JEDEC MS-012

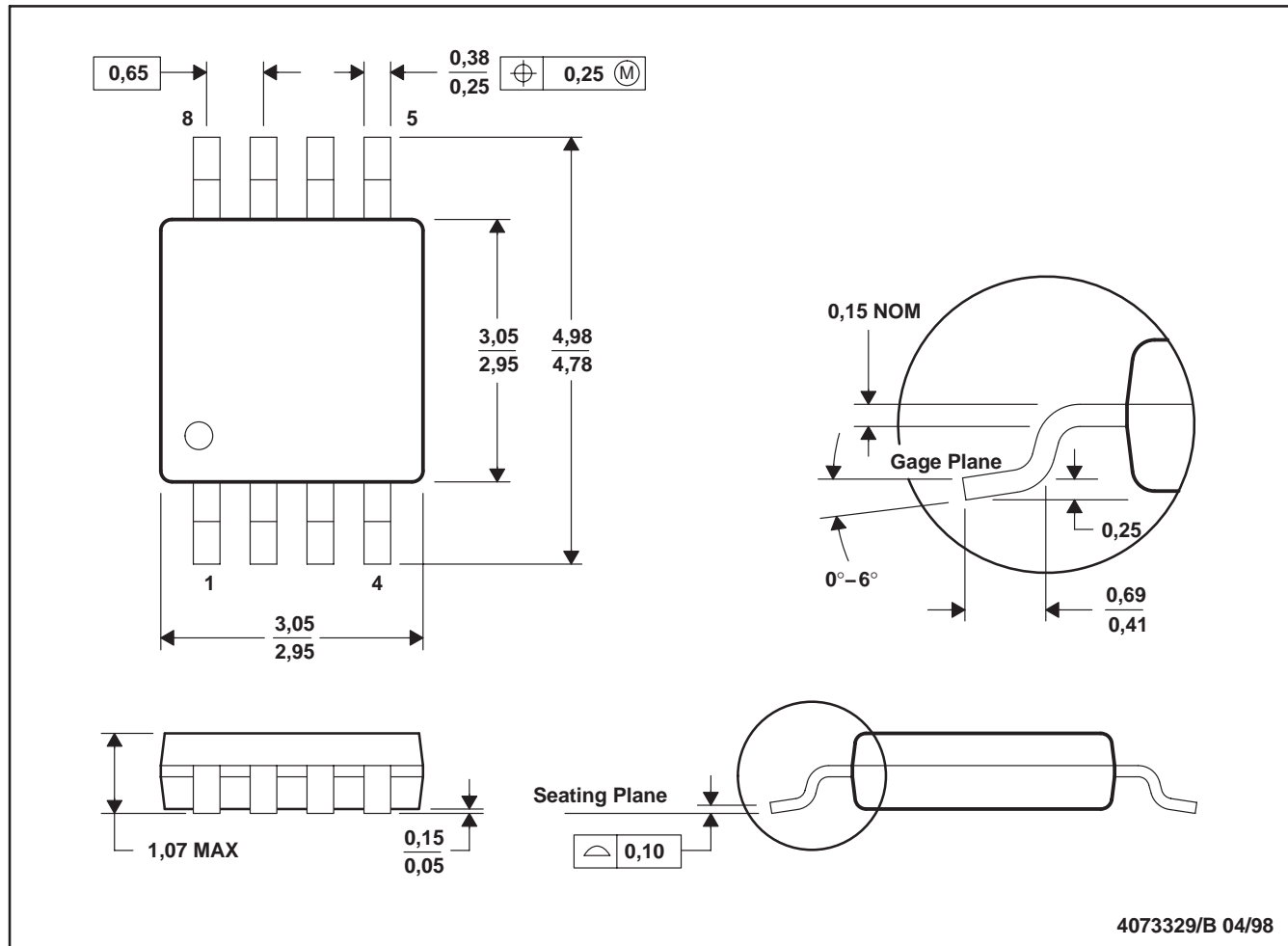
# SN55LVDS32, SN65LVDS32, SN65LVDS3486, SN65LVDS9637 HIGH-SPEED DIFFERENTIAL LINE RECEIVERS

SLLS262N – JULY 1997 – REVISED MARCH 2004

## MECHANICAL INFORMATION

DGK (R-PDSO-G8)

PLASTIC SMALL-OUTLINE PACKAGE



4073329/B 04/98

- NOTES:
- A. All linear dimensions are in millimeters.
  - B. This drawing is subject to change without notice.
  - C. Body dimensions do not include mold flash or protrusion.
  - D. Falls within JEDEC MO-187

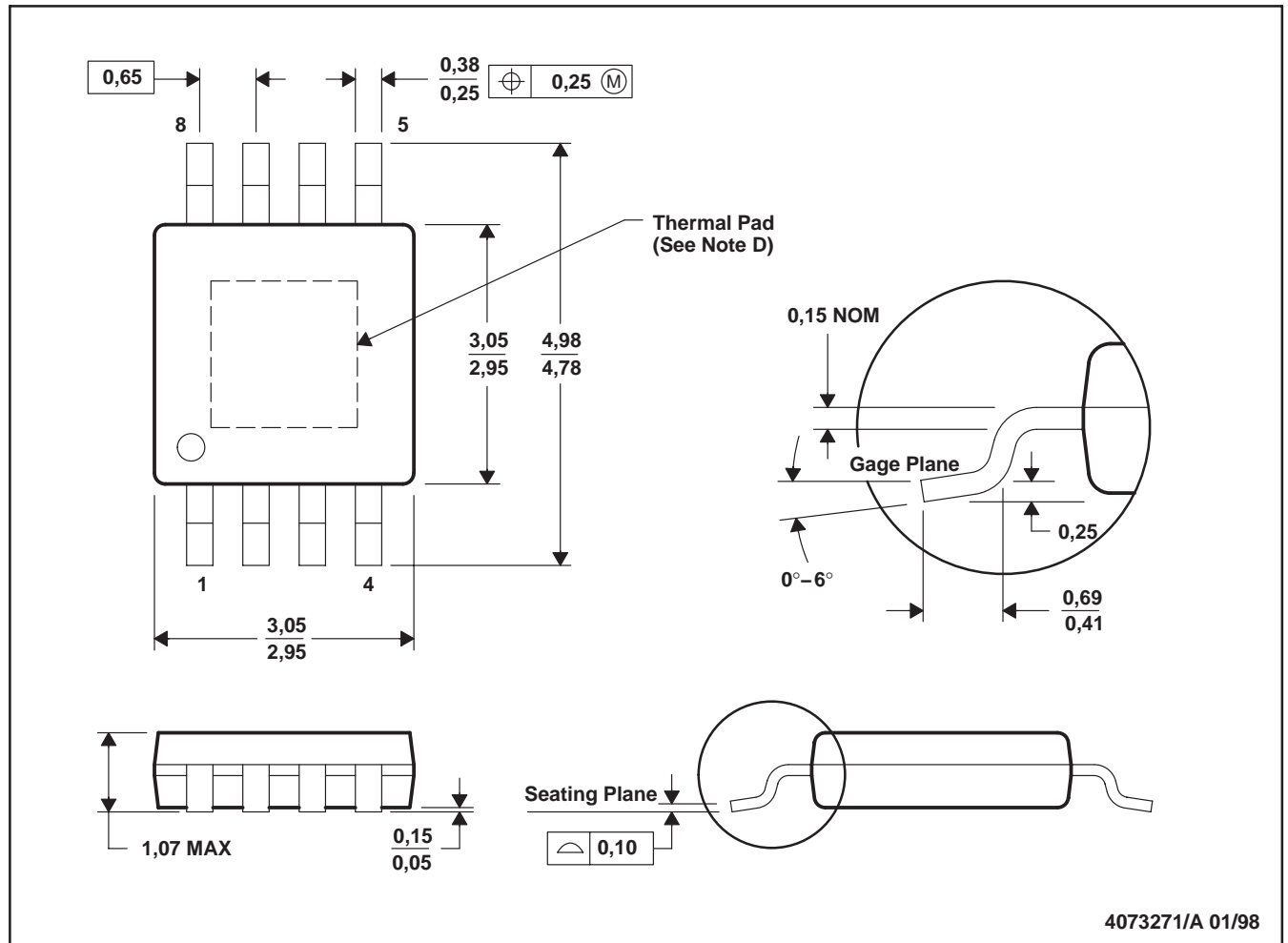
# SN55LVDS32, SN65LVDS32, SN65LVDS3486, SN65LVDS9637 HIGH-SPEED DIFFERENTIAL LINE RECEIVERS

SLLS262N – JULY 1997 – REVISED MARCH 2004

## MECHANICAL INFORMATION

DGN (S-PDSO-G8)

PowerPAD™ PLASTIC SMALL-OUTLINE PACKAGE



- NOTES:
- All linear dimensions are in millimeters.
  - This drawing is subject to change without notice.
  - Body dimensions include mold flash or protrusions.
  - The package thermal performance may be enhanced by attaching an external heat sink to the thermal pad. This pad is electrically and thermally connected to the backside of the die and possibly selected leads.
  - Falls within JEDEC MO-187

# SN55LVDS32, SN65LVDS32, SN65LVDS3486, SN65LVDS9637 HIGH-SPEED DIFFERENTIAL LINE RECEIVERS

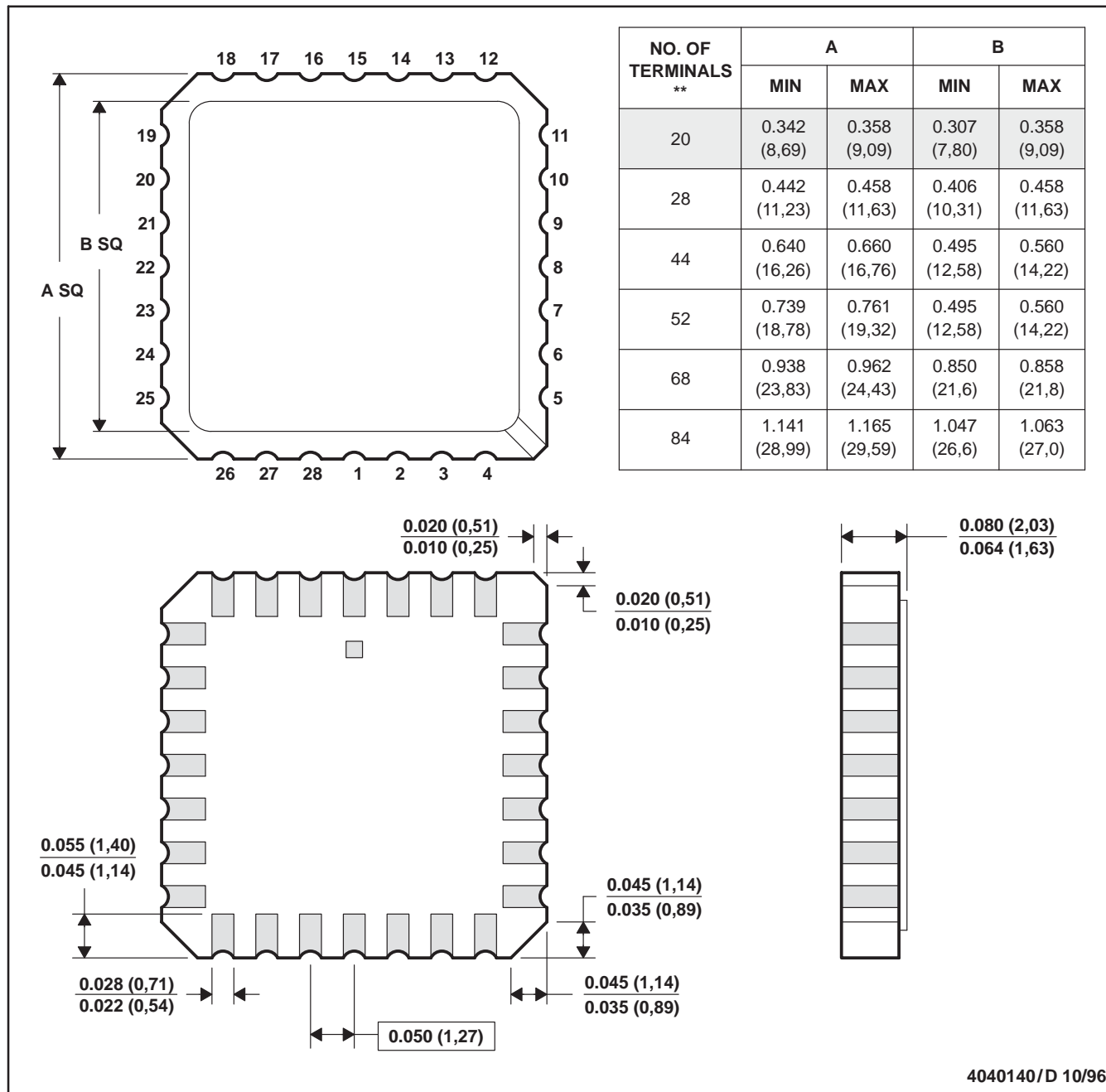
SLLS262N – JULY 1997 – REVISED MARCH 2004

## MECHANICAL INFORMATION

FK (S-CQCC-N\*\*)

LEADLESS CERAMIC CHIP CARRIER

28 TERMINAL SHOWN



- NOTES: A. All linear dimensions are in inches (millimeters).  
 B. This drawing is subject to change without notice.  
 C. This package can be hermetically sealed with a metal lid.  
 D. The terminals are gold plated.  
 E. Falls within JEDEC MS-004

# SN55LVDS32, SN65LVDS32, SN65LVDS3486, SN65LVDS9637 HIGH-SPEED DIFFERENTIAL LINE RECEIVERS

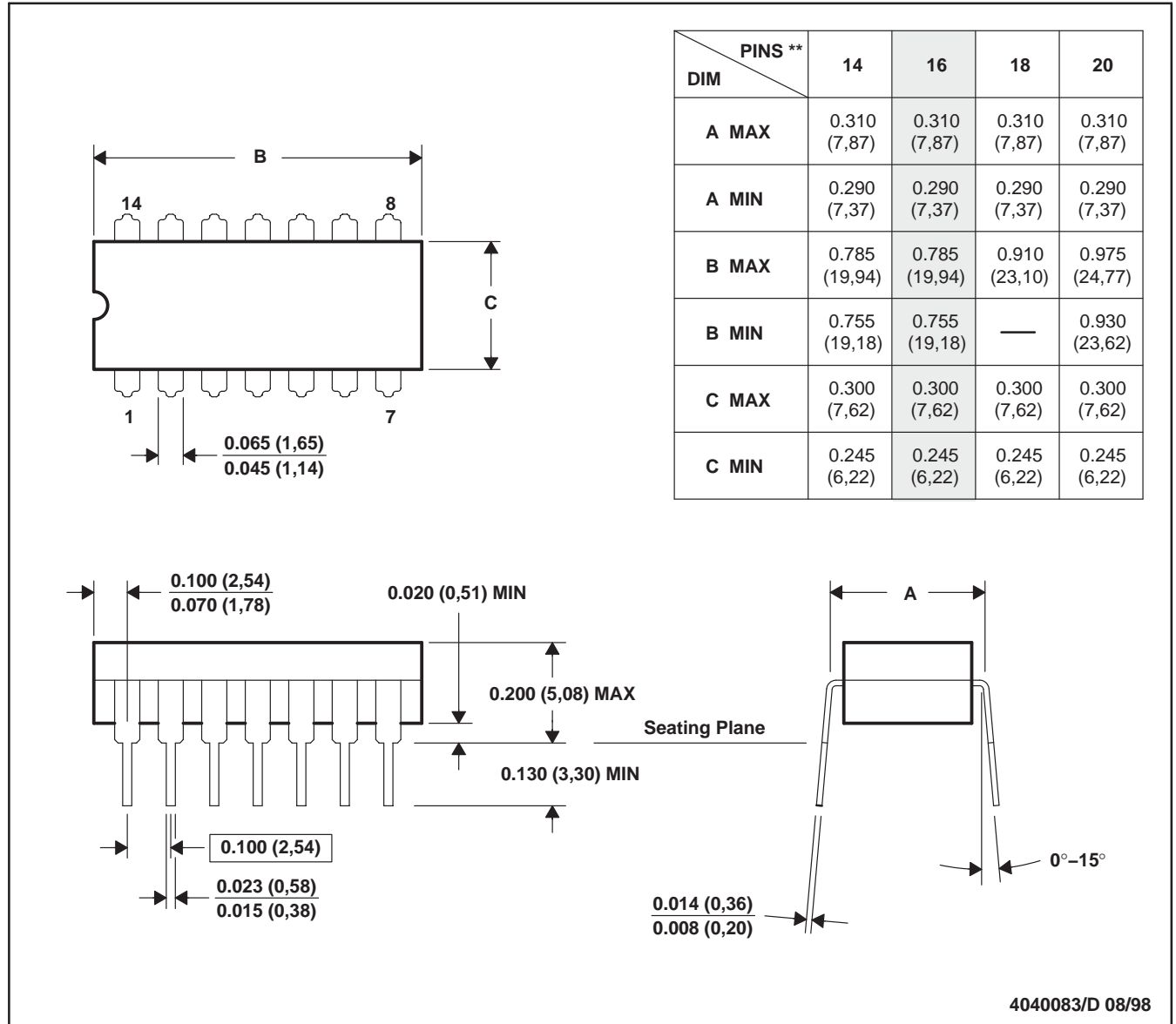
SLLS262N – JULY 1997 – REVISED MARCH 2004

## MECHANICAL INFORMATION

J (R-GDIP-T\*\*)

CERAMIC DUAL-IN-LINE PACKAGE

14 PIN SHOWN



- NOTES: A. All linear dimensions are in inches (millimeters).  
 B. This drawing is subject to change without notice.  
 C. This package can be hermetically sealed with a ceramic lid using glass frit.  
 D. Index point is provided on cap for terminal identification only on press ceramic glass frit seal.  
 E. Falls within MIL STD 1835 GDIP1-T14, GDIP1-T16, GDIP1-T18, GDIP1-T20, and GDIP1-T22.

# SN55LVDS32, SN65LVDS32, SN65LVDS3486, SN65LVDS9637 HIGH-SPEED DIFFERENTIAL LINE RECEIVERS

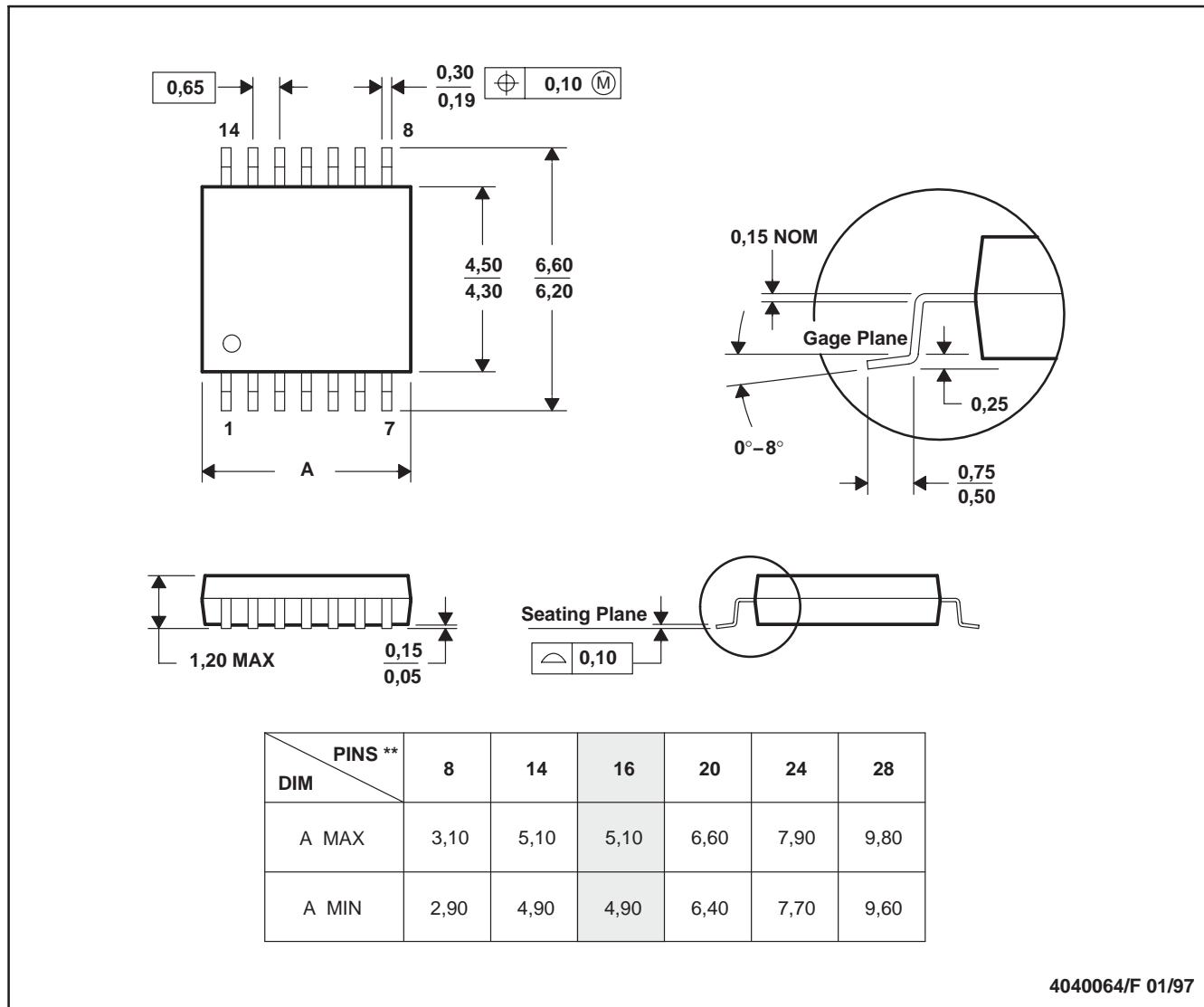
SLLS262N – JULY 1997 – REVISED MARCH 2004

## MECHANICAL INFORMATION

PW (R-PDSO-G\*\*)

PLASTIC SMALL-OUTLINE PACKAGE

14 PINS SHOWN



- NOTES: A. All linear dimensions are in millimeters.  
 B. This drawing is subject to change without notice.  
 C. Body dimensions do not include mold flash or protrusion not to exceed 0,15.  
 D. Falls within JEDEC MO-153





**PACKAGING INFORMATION**

Orderable Device	Status <sup>(1)</sup>	Package Type	Package Drawing	Pins	Package Qty	Eco Plan <sup>(2)</sup>	Lead/Ball Finish	MSL Peak Temp <sup>(3)</sup>
5962-9762201Q2A	ACTIVE	LCCC	FK	20	1	TBD	POST-PLATE	Level-NC-NC-NC
5962-9762201QEA	ACTIVE	CDIP	J	16	1	TBD	A42 SNPB	Level-NC-NC-NC
5962-9762201QFA	ACTIVE	CFP	W	16	1	TBD	A42 SNPB	Level-NC-NC-NC
5962-9762201VFA	ACTIVE	CFP	W	16	1	TBD	A42 SNPB	Level-NC-NC-NC
5962-9762202Q2A	ACTIVE	LCCC	FK	20	1	TBD	POST-PLATE	Level-NC-NC-NC
SN55LVDS32W	ACTIVE	CFP	W	16	1	TBD	A42 SNPB	Level-NC-NC-NC
SN65LVDS32D	ACTIVE	SOIC	D	16	40	Green (RoHS & no Sb/Br)	CU NIPDAU	Level-1-260C-UNLIM
SN65LVDS32DR	ACTIVE	SOIC	D	16	2500	Green (RoHS & no Sb/Br)	CU NIPDAU	Level-1-260C-UNLIM
SN65LVDS32NSR	ACTIVE	SO	NS	16	2000	Green (RoHS & no Sb/Br)	CU NIPDAU	Level-1-260C-UNLIM
SN65LVDS32NSRG4	ACTIVE	SO	NS	16	2000	Green (RoHS & no Sb/Br)	CU NIPDAU	Level-1-260C-UNLIM
SN65LVDS32PW	ACTIVE	TSSOP	PW	16	90	Green (RoHS & no Sb/Br)	CU NIPDAU	Level-1-260C-UNLIM
SN65LVDS32PWR	ACTIVE	TSSOP	PW	16	2000	Green (RoHS & no Sb/Br)	CU NIPDAU	Level-1-260C-UNLIM
SN65LVDS32PWRG4	ACTIVE	TSSOP	PW	16	2000	Green (RoHS & no Sb/Br)	CU NIPDAU	Level-1-260C-UNLIM
SN65LVDS3486D	ACTIVE	SOIC	D	16	40	Green (RoHS & no Sb/Br)	CU NIPDAU	Level-1-260C-UNLIM
SN65LVDS3486DR	ACTIVE	SOIC	D	16	2500	Green (RoHS & no Sb/Br)	CU NIPDAU	Level-1-260C-UNLIM
SN65LVDS9637D	ACTIVE	SOIC	D	8	75	Green (RoHS & no Sb/Br)	CU NIPDAU	Level-1-260C-UNLIM
SN65LVDS9637DG4	ACTIVE	SOIC	D	8	75	Green (RoHS & no Sb/Br)	CU NIPDAU	Level-1-260C-UNLIM
SN65LVDS9637DGK	ACTIVE	MSOP	DGK	8	80	Green (RoHS & no Sb/Br)	CU NIPDAU	Level-1-260C-UNLIM
SN65LVDS9637DGKG4	ACTIVE	MSOP	DGK	8	80	Green (RoHS & no Sb/Br)	CU NIPDAU	Level-1-260C-UNLIM
SN65LVDS9637DGKR	ACTIVE	MSOP	DGK	8	2500	Green (RoHS & no Sb/Br)	CU NIPDAU	Level-1-260C-UNLIM
SN65LVDS9637DGKRG4	ACTIVE	MSOP	DGK	8	2500	Green (RoHS & no Sb/Br)	CU NIPDAU	Level-1-260C-UNLIM
SN65LVDS9637DGN	ACTIVE	MSOP-Power PAD	DGN	8	80	Green (RoHS & no Sb/Br)	CU NIPDAU	Level-1-260C-UNLIM
SN65LVDS9637DGNG4	ACTIVE	MSOP-Power PAD	DGN	8	80	Green (RoHS & no Sb/Br)	CU NIPDAU	Level-1-260C-UNLIM
SN65LVDS9637DGNR	ACTIVE	MSOP-Power PAD	DGN	8	2500	Green (RoHS & no Sb/Br)	CU NIPDAU	Level-1-260C-UNLIM
SN65LVDS9637DGNRG4	ACTIVE	MSOP-Power PAD	DGN	8	2500	Green (RoHS & no Sb/Br)	CU NIPDAU	Level-1-260C-UNLIM
SN65LVDS9637DR	ACTIVE	SOIC	D	8	2500	Green (RoHS & no Sb/Br)	CU NIPDAU	Level-1-260C-UNLIM

Orderable Device	Status <sup>(1)</sup>	Package Type	Package Drawing	Pins	Package Qty	Eco Plan <sup>(2)</sup>	Lead/Ball Finish	MSL Peak Temp <sup>(3)</sup>
						no Sb/Br)		
SN65LVDS9637DRG4	ACTIVE	SOIC	D	8	2500	Green (RoHS & no Sb/Br)	CU NIPDAU	Level-1-260C-UNLIM
SNJ55LVDS32FK	ACTIVE	LCCC	FK	20	1	TBD	POST-PLATE	Level-NC-NC-NC
SNJ55LVDS32J	ACTIVE	CDIP	J	16	1	TBD	A42 SNPB	Level-NC-NC-NC
SNJ55LVDS32W	ACTIVE	CFP	W	16	1	TBD	A42 SNPB	Level-NC-NC-NC

<sup>(1)</sup> The marketing status values are defined as follows:

**ACTIVE:** Product device recommended for new designs.

**LIFEBUY:** TI has announced that the device will be discontinued, and a lifetime-buy period is in effect.

**NRND:** Not recommended for new designs. Device is in production to support existing customers, but TI does not recommend using this part in a new design.

**PREVIEW:** Device has been announced but is not in production. Samples may or may not be available.

**OBSOLETE:** TI has discontinued the production of the device.

<sup>(2)</sup> Eco Plan - The planned eco-friendly classification: Pb-Free (RoHS) or Green (RoHS & no Sb/Br) - please check <http://www.ti.com/productcontent> for the latest availability information and additional product content details.

**TBD:** The Pb-Free/Green conversion plan has not been defined.

**Pb-Free (RoHS):** TI's terms "Lead-Free" or "Pb-Free" mean semiconductor products that are compatible with the current RoHS requirements for all 6 substances, including the requirement that lead not exceed 0.1% by weight in homogeneous materials. Where designed to be soldered at high temperatures, TI Pb-Free products are suitable for use in specified lead-free processes.

**Green (RoHS & no Sb/Br):** TI defines "Green" to mean Pb-Free (RoHS compatible), and free of Bromine (Br) and Antimony (Sb) based flame retardants (Br or Sb do not exceed 0.1% by weight in homogeneous material)

<sup>(3)</sup> MSL, Peak Temp. -- The Moisture Sensitivity Level rating according to the JEDEC industry standard classifications, and peak solder temperature.

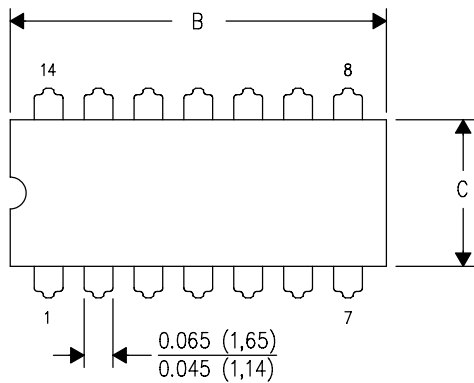
**Important Information and Disclaimer:** The information provided on this page represents TI's knowledge and belief as of the date that it is provided. TI bases its knowledge and belief on information provided by third parties, and makes no representation or warranty as to the accuracy of such information. Efforts are underway to better integrate information from third parties. TI has taken and continues to take reasonable steps to provide representative and accurate information but may not have conducted destructive testing or chemical analysis on incoming materials and chemicals. TI and TI suppliers consider certain information to be proprietary, and thus CAS numbers and other limited information may not be available for release.

In no event shall TI's liability arising out of such information exceed the total purchase price of the TI part(s) at issue in this document sold by TI to Customer on an annual basis.

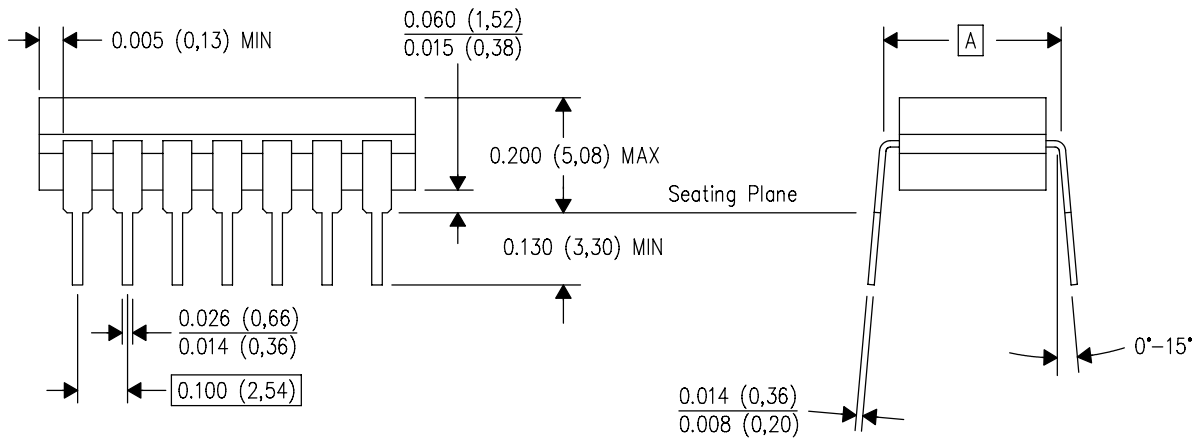
J (R-GDIP-T\*\*)

14 LEADS SHOWN

CERAMIC DUAL IN-LINE PACKAGE



DIM \ PINS **	14	16	18	20
A	0.300 (7,62) BSC	0.300 (7,62) BSC	0.300 (7,62) BSC	0.300 (7,62) BSC
B MAX	0.785 (19,94)	.840 (21,34)	0.960 (24,38)	1.060 (26,92)
B MIN	—	—	—	—
C MAX	0.300 (7,62)	0.300 (7,62)	0.310 (7,87)	0.300 (7,62)
C MIN	0.245 (6,22)	0.245 (6,22)	0.220 (5,59)	0.245 (6,22)



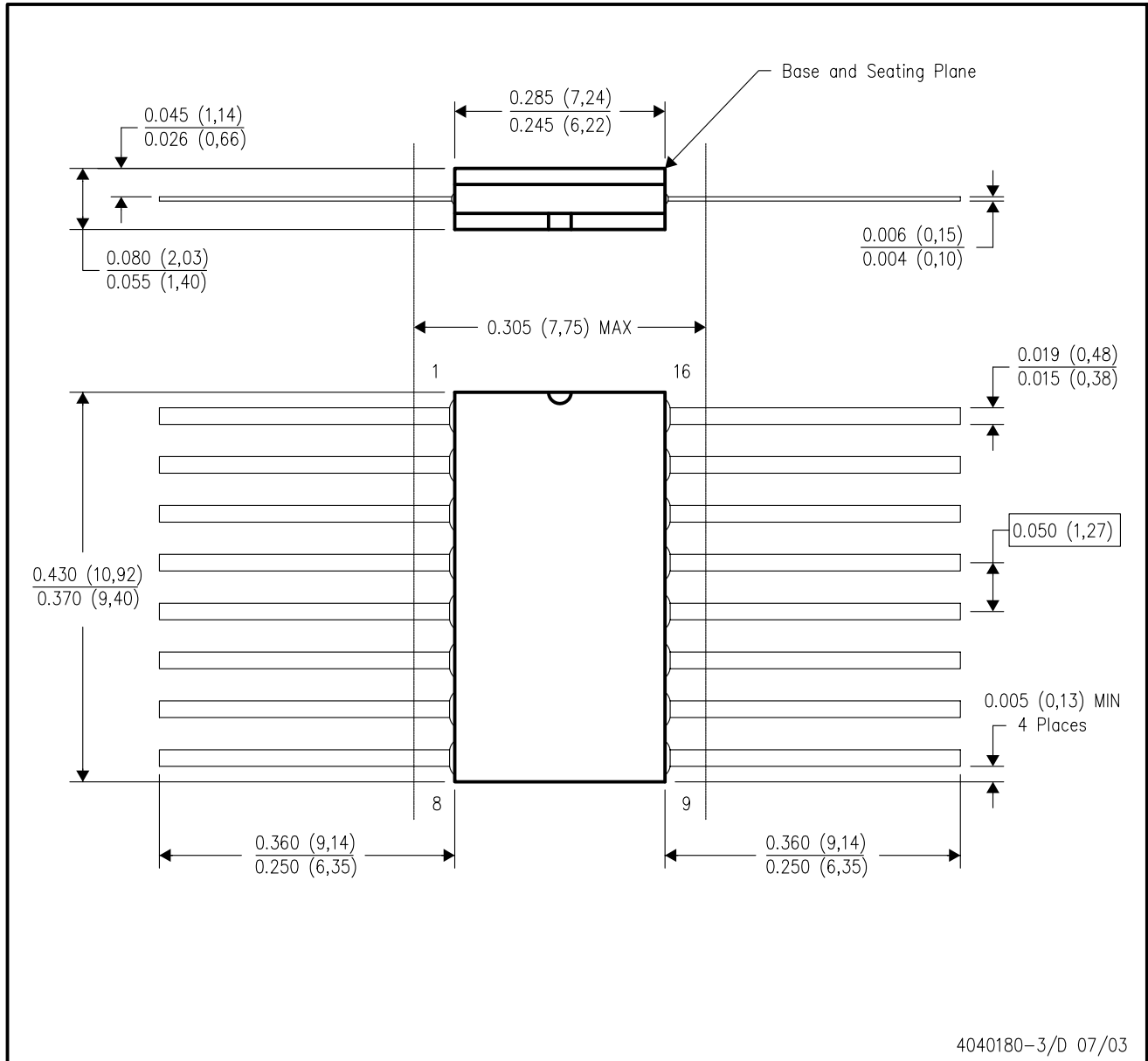
4040083/F 03/03

- NOTES:
- A. All linear dimensions are in inches (millimeters).
  - B. This drawing is subject to change without notice.
  - C. This package is hermetically sealed with a ceramic lid using glass frit.
  - D. Index point is provided on cap for terminal identification only on press ceramic glass frit seal only.
  - E. Falls within MIL STD 1835 GDIP1-T14, GDIP1-T16, GDIP1-T18 and GDIP1-T20.

# MECHANICAL DATA

W (R-GDFP-F16)

CERAMIC DUAL FLATPACK



- NOTES:
- A. All linear dimensions are in inches (millimeters).
  - B. This drawing is subject to change without notice.
  - C. This package can be hermetically sealed with a ceramic lid using glass frit.
  - D. Index point is provided on cap for terminal identification only.
  - E. Falls within MIL STD 1835 GDFP1-F16 and JEDEC MO-092AC

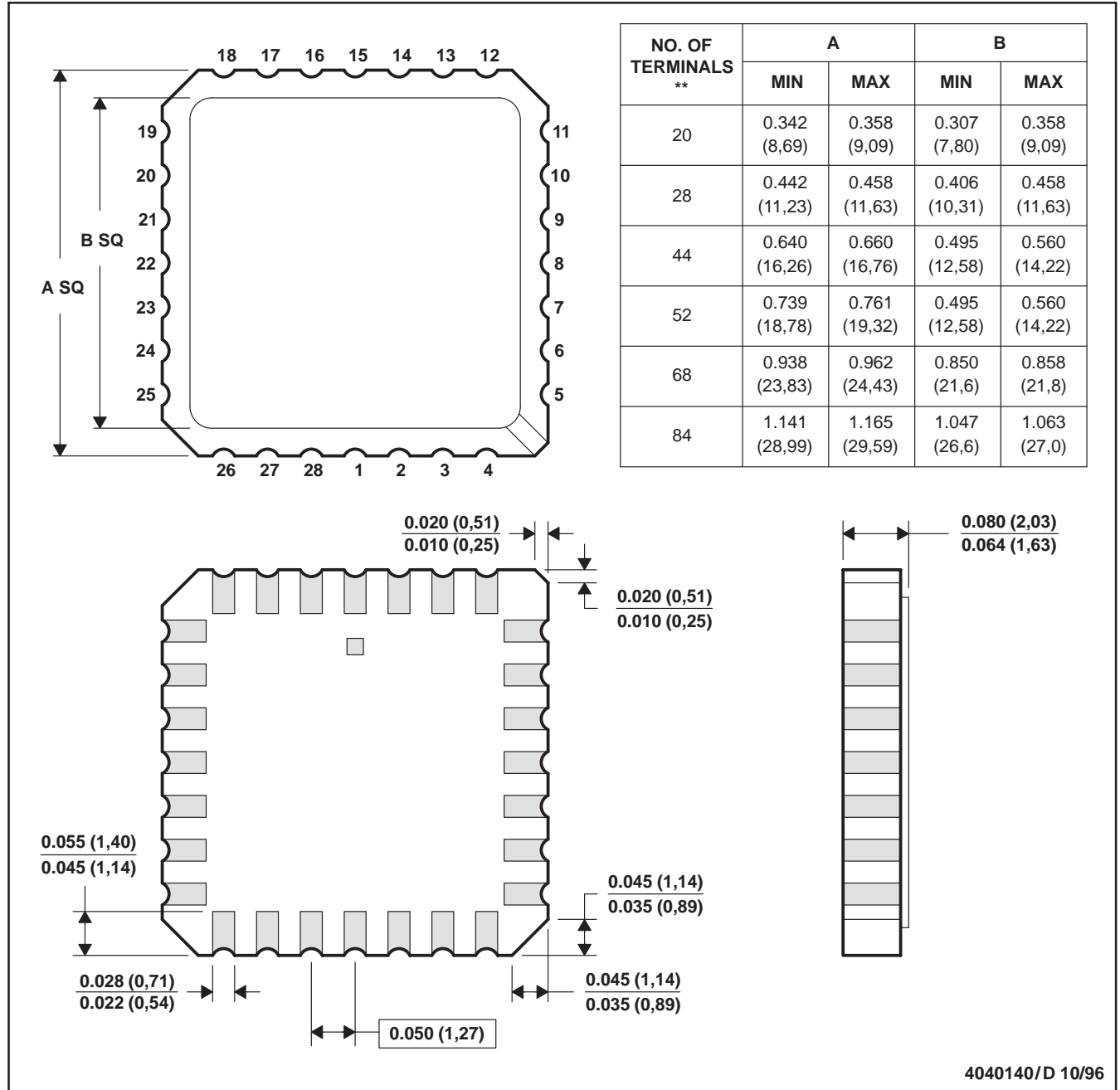
# MECHANICAL DATA

MLCC006B – OCTOBER 1996

## FK (S-CQCC-N\*\*)

## LEADLESS CERAMIC CHIP CARRIER

28 TERMINAL SHOWN



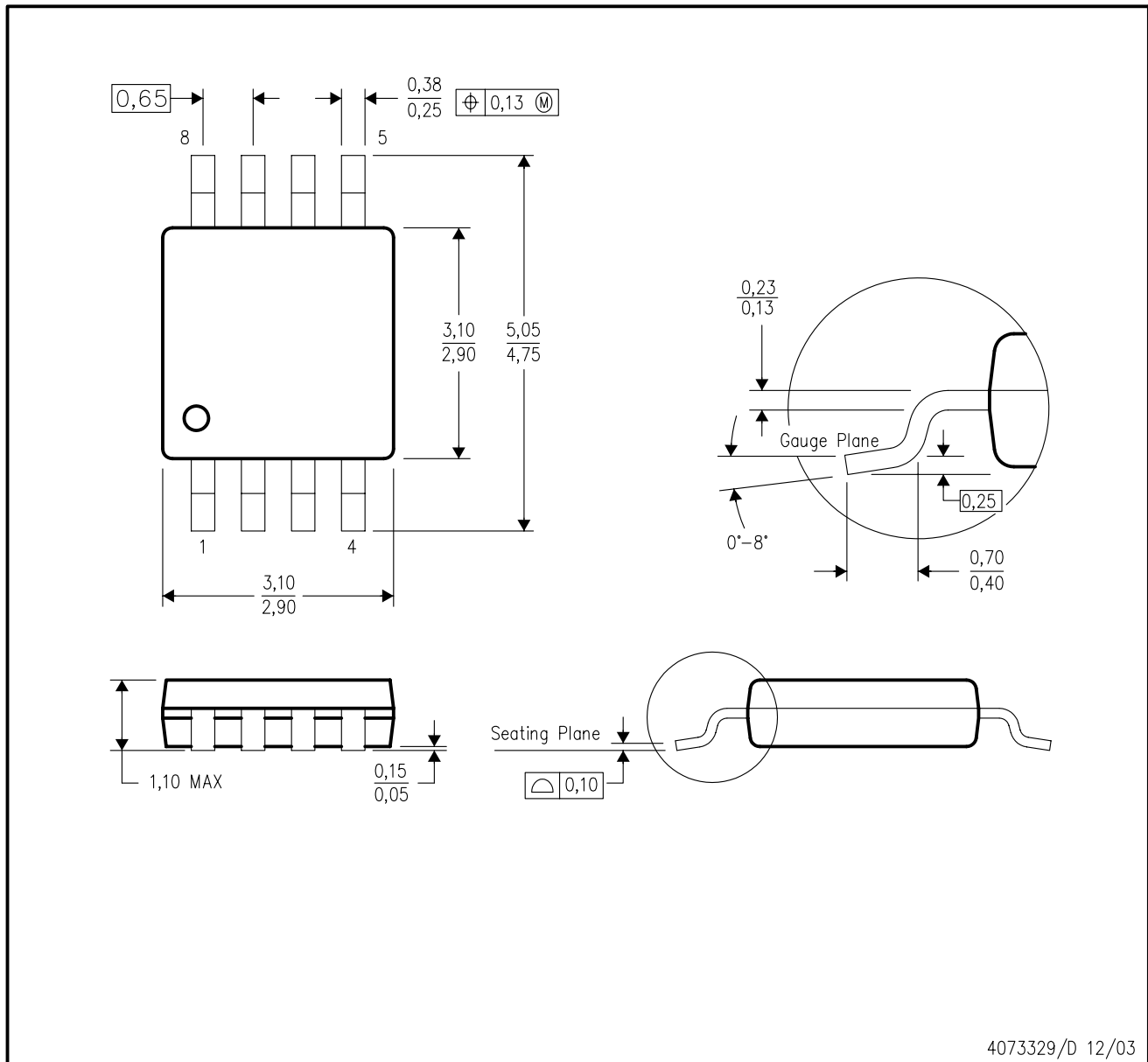
- NOTES:
- All linear dimensions are in inches (millimeters).
  - This drawing is subject to change without notice.
  - This package can be hermetically sealed with a metal lid.
  - The terminals are gold plated.
  - Falls within JEDEC MS-004

4040140/D 10/96

# MECHANICAL DATA

DGK (S-PDSO-G8)

PLASTIC SMALL-OUTLINE PACKAGE

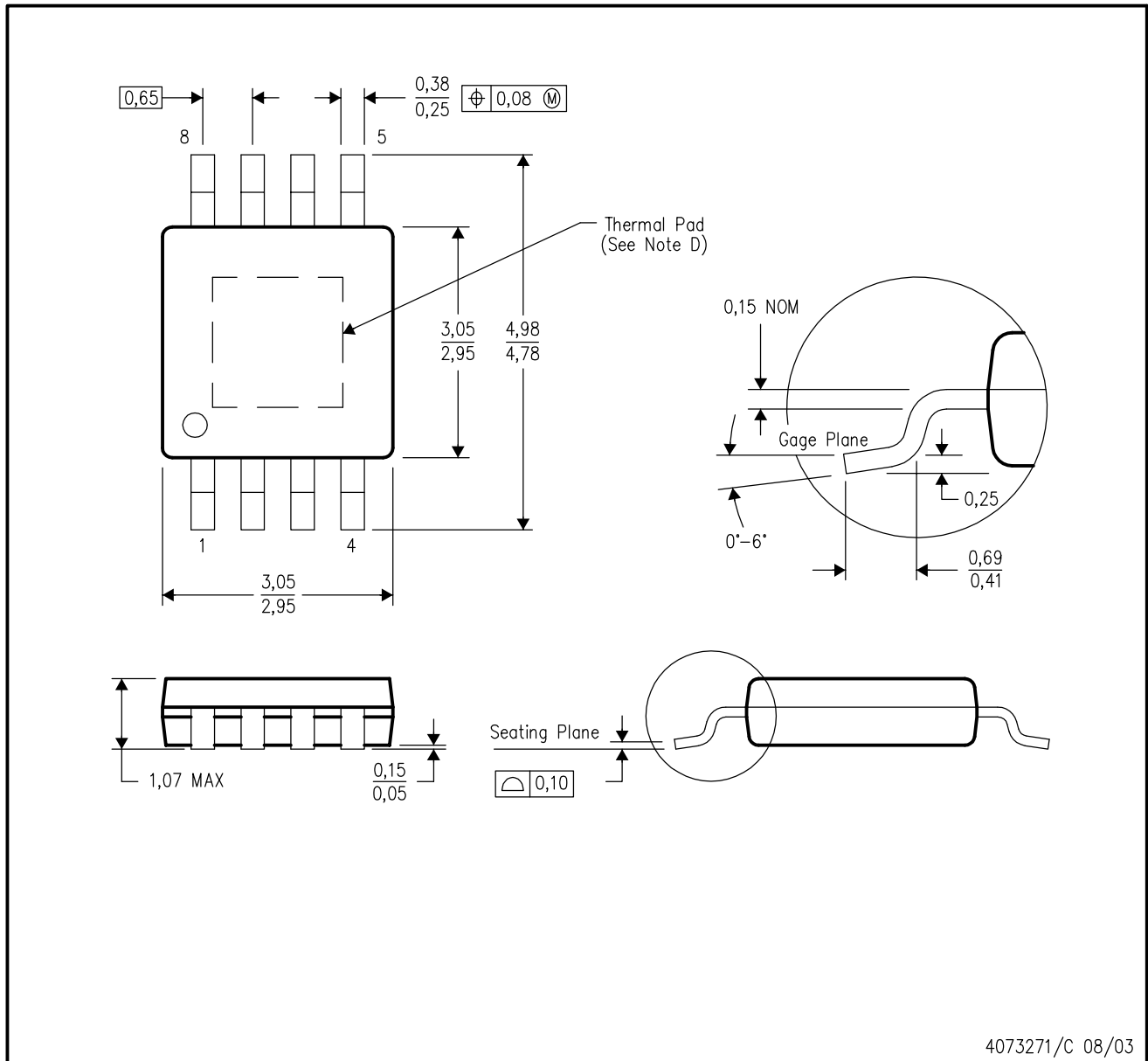


- NOTES:
- A. All linear dimensions are in millimeters.
  - B. This drawing is subject to change without notice.
  - C. Body dimensions do not include mold flash or protrusion.
  - D. Falls within JEDEC MO-187 variation AA.

# MECHANICAL DATA

DGN (S-PDSO-G8)

PowerPAD™ PLASTIC SMALL-OUTLINE PACKAGE



4073271/C 08/03

- NOTES:
- All linear dimensions are in millimeters.
  - This drawing is subject to change without notice.
  - Body dimensions do not include mold flash or protrusion.
  - This package is designed to be soldered to a thermal pad on the board. Refer to Technical Brief, PowerPad Thermally Enhanced Package, Texas Instruments Literature No. SLMA002 for information regarding recommended board layout. This document is available at [www.ti.com](http://www.ti.com) <<http://www.ti.com>>.
  - Falls within JEDEC MO-187

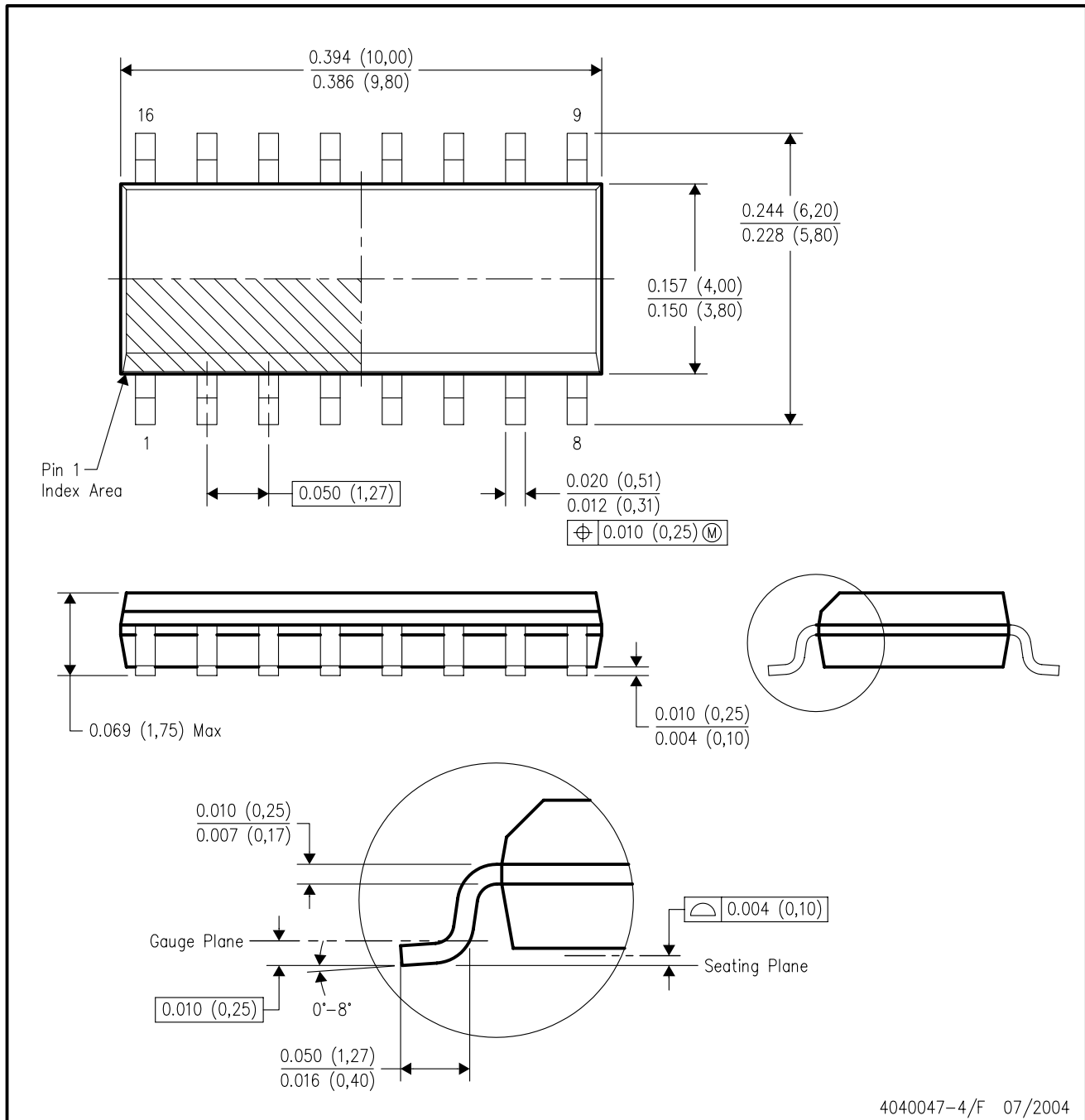
PowerPAD is a trademark of Texas Instruments.



# MECHANICAL DATA

## D (R-PDSO-G16)

## PLASTIC SMALL-OUTLINE PACKAGE

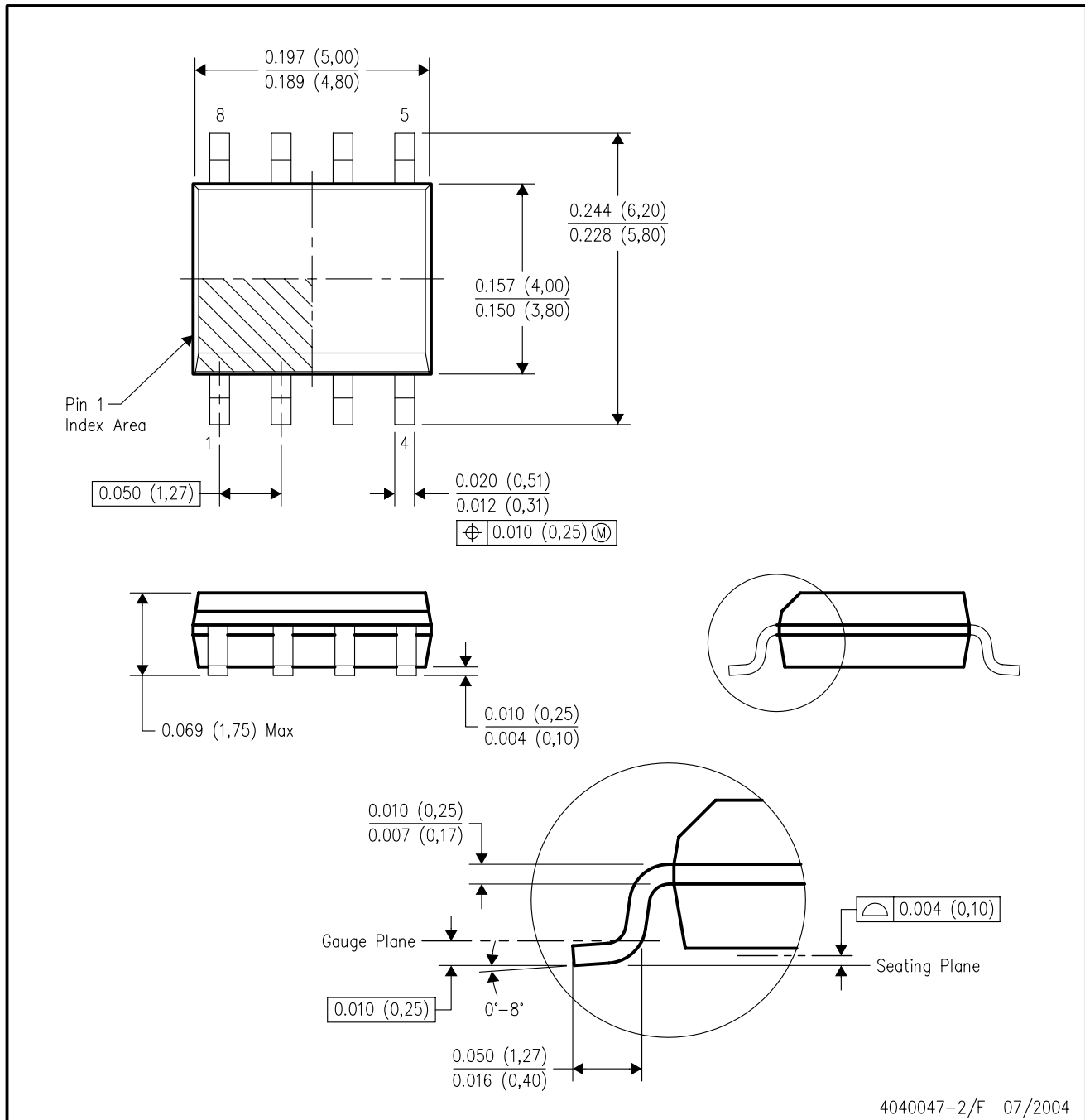


- NOTES:
- All linear dimensions are in inches (millimeters).
  - This drawing is subject to change without notice.
  - Body dimensions do not include mold flash or protrusion not to exceed 0.006 (0,15).
  - Falls within JEDEC MS-012 variation AC.

# MECHANICAL DATA

D (R-PDSO-G8)

PLASTIC SMALL-OUTLINE PACKAGE



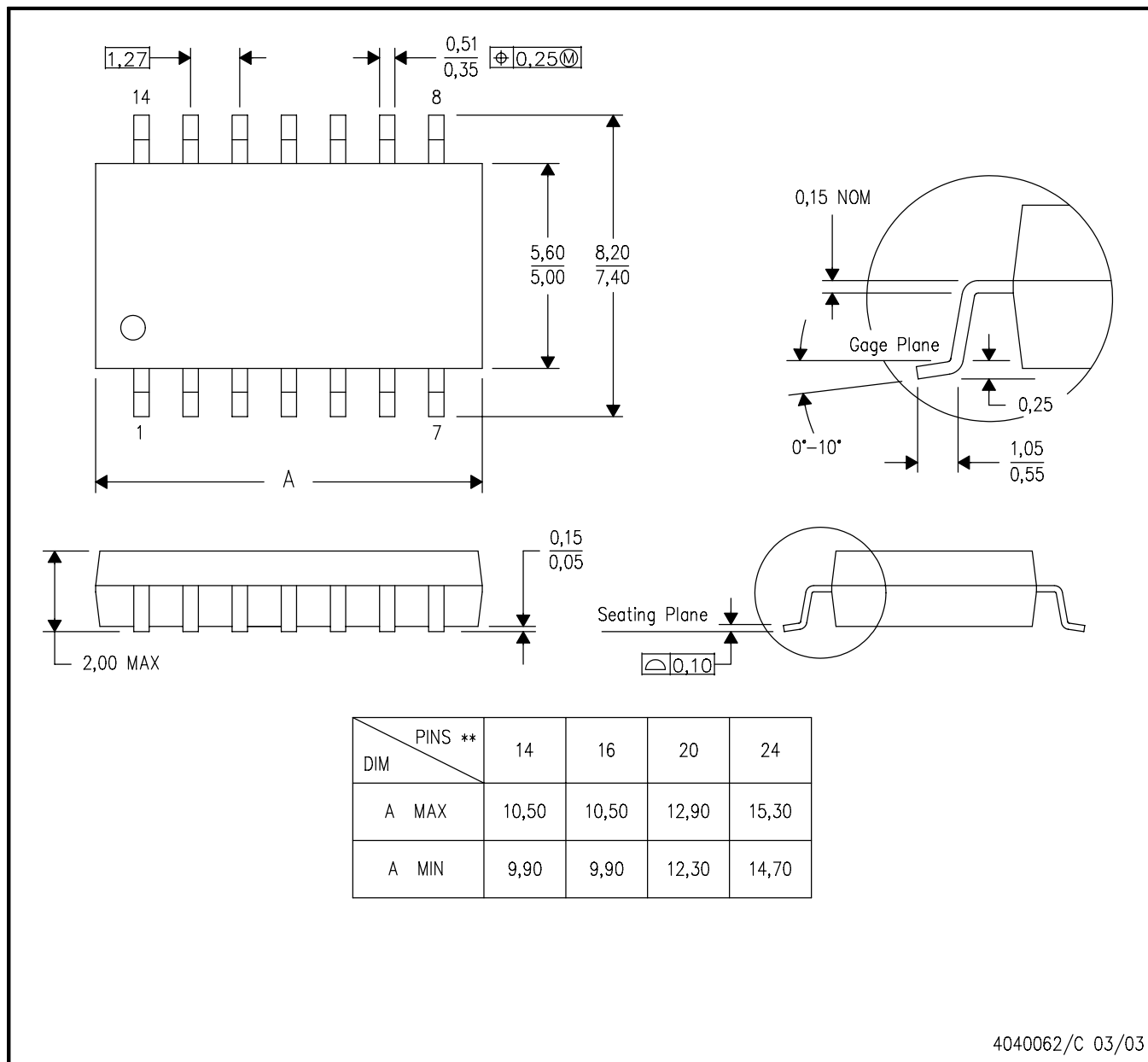
- NOTES:
- A. All linear dimensions are in inches (millimeters).
  - B. This drawing is subject to change without notice.
  - C. Body dimensions do not include mold flash or protrusion not to exceed 0.006 (0,15).
  - D. Falls within JEDEC MS-012 variation AA.

## MECHANICAL DATA

**NS (R-PDSO-G\*\*)**

**PLASTIC SMALL-OUTLINE PACKAGE**

**14-PINS SHOWN**



4040062/C 03/03

- NOTES:
- A. All linear dimensions are in millimeters.
  - B. This drawing is subject to change without notice.
  - C. Body dimensions do not include mold flash or protrusion, not to exceed 0,15.

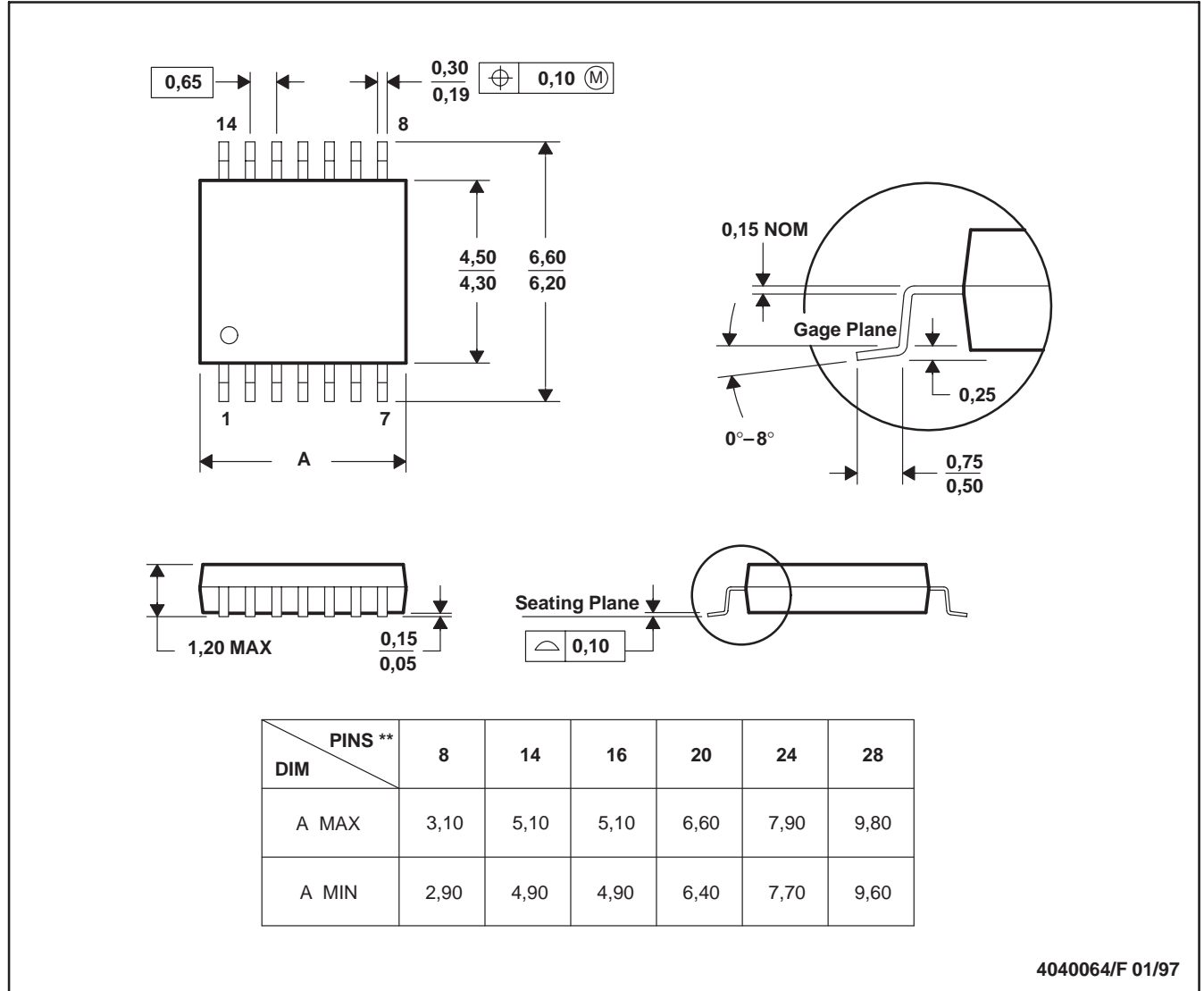
# MECHANICAL DATA

MTSS001C – JANUARY 1995 – REVISED FEBRUARY 1999

**PW (R-PDSO-G\*\*)**

**PLASTIC SMALL-OUTLINE PACKAGE**

14 PINS SHOWN



- NOTES: A. All linear dimensions are in millimeters.  
 B. This drawing is subject to change without notice.  
 C. Body dimensions do not include mold flash or protrusion not to exceed 0,15.  
 D. Falls within JEDEC MO-153

## IMPORTANT NOTICE

Texas Instruments Incorporated and its subsidiaries (TI) reserve the right to make corrections, modifications, enhancements, improvements, and other changes to its products and services at any time and to discontinue any product or service without notice. Customers should obtain the latest relevant information before placing orders and should verify that such information is current and complete. All products are sold subject to TI's terms and conditions of sale supplied at the time of order acknowledgment.

TI warrants performance of its hardware products to the specifications applicable at the time of sale in accordance with TI's standard warranty. Testing and other quality control techniques are used to the extent TI deems necessary to support this warranty. Except where mandated by government requirements, testing of all parameters of each product is not necessarily performed.

TI assumes no liability for applications assistance or customer product design. Customers are responsible for their products and applications using TI components. To minimize the risks associated with customer products and applications, customers should provide adequate design and operating safeguards.

TI does not warrant or represent that any license, either express or implied, is granted under any TI patent right, copyright, mask work right, or other TI intellectual property right relating to any combination, machine, or process in which TI products or services are used. Information published by TI regarding third-party products or services does not constitute a license from TI to use such products or services or a warranty or endorsement thereof. Use of such information may require a license from a third party under the patents or other intellectual property of the third party, or a license from TI under the patents or other intellectual property of TI.

Reproduction of information in TI data books or data sheets is permissible only if reproduction is without alteration and is accompanied by all associated warranties, conditions, limitations, and notices. Reproduction of this information with alteration is an unfair and deceptive business practice. TI is not responsible or liable for such altered documentation.

Resale of TI products or services with statements different from or beyond the parameters stated by TI for that product or service voids all express and any implied warranties for the associated TI product or service and is an unfair and deceptive business practice. TI is not responsible or liable for any such statements.

Following are URLs where you can obtain information on other Texas Instruments products and application solutions:

<b>Products</b>		<b>Applications</b>	
Amplifiers	<a href="http://amplifier.ti.com">amplifier.ti.com</a>	Audio	<a href="http://www.ti.com/audio">www.ti.com/audio</a>
Data Converters	<a href="http://dataconverter.ti.com">dataconverter.ti.com</a>	Automotive	<a href="http://www.ti.com/automotive">www.ti.com/automotive</a>
DSP	<a href="http://dsp.ti.com">dsp.ti.com</a>	Broadband	<a href="http://www.ti.com/broadband">www.ti.com/broadband</a>
Interface	<a href="http://interface.ti.com">interface.ti.com</a>	Digital Control	<a href="http://www.ti.com/digitalcontrol">www.ti.com/digitalcontrol</a>
Logic	<a href="http://logic.ti.com">logic.ti.com</a>	Military	<a href="http://www.ti.com/military">www.ti.com/military</a>
Power Mgmt	<a href="http://power.ti.com">power.ti.com</a>	Optical Networking	<a href="http://www.ti.com/opticalnetwork">www.ti.com/opticalnetwork</a>
Microcontrollers	<a href="http://microcontroller.ti.com">microcontroller.ti.com</a>	Security	<a href="http://www.ti.com/security">www.ti.com/security</a>
		Telephony	<a href="http://www.ti.com/telephony">www.ti.com/telephony</a>
		Video & Imaging	<a href="http://www.ti.com/video">www.ti.com/video</a>
		Wireless	<a href="http://www.ti.com/wireless">www.ti.com/wireless</a>

Mailing Address: Texas Instruments  
Post Office Box 655303 Dallas, Texas 75265