



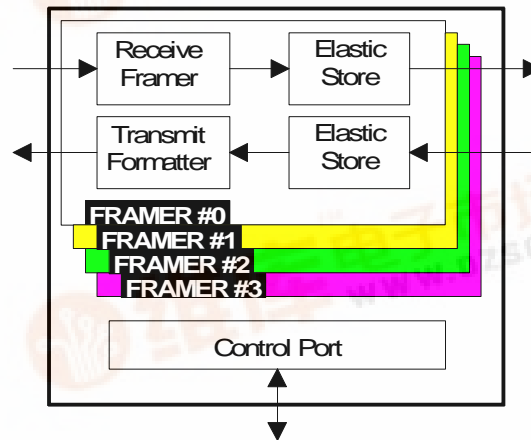
DS21Q42 Enhanced QUAD T1 FRAMER

www.dalsemi.com

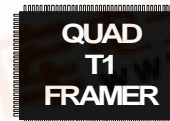
FEATURES

- Four T1 DS1/ISDN-PRI/J1 framing transceivers
- All four framers are fully independent
- Each of the four framers contain dual two-frame elastic store slip buffers that can connect to asynchronous backplanes up to 8.192 MHz
- 8-bit parallel control port that can be used directly on either multiplexed or non-multiplexed buses (Intel or Motorola)
- Programmable output clocks for Fractional T1
- Fully independent transmit and receive functionality
- Integral HDLC controller with 64-byte buffers configurable for FDL or DS0 operation
- Generates and detects in-band loop codes from 1 to 8 bits in length including CSU loop codes
- Pin compatible with DS21Q44 E1 Enhanced Quad E1 Framer
- 3.3V supply with 5V tolerant I/O; low power CMOS
- Available in 128-pin TQFP package
- IEEE 1149.1 support

FUNCTIONAL DIAGRAM



ACTUAL SIZE



ORDERING INFORMATION

DS21Q42T (0°C to 70°C)
DS21Q42TN (-40°C to +85°C)

DESCRIPTION

The DS21Q42 is an enhanced version of the DS21Q41B Quad T1 Framer. The DS21Q42 contains four framers that are configured and read through a common microprocessor compatible parallel port. Each framer consists of a receive framer, receive elastic store, transmit formatter and transmit elastic store. All four framers in the DS21Q42 are totally independent, they do not share a common framing synchronizer. Also the transmit and receive sides of each framer are totally independent. The dual two-frame elastic stores contained in each of the four framers can be independently enabled and disabled as required. The device fully meets all of the latest T1 specifications including ANSI T1.403-1995, ANSI T1.231-1993, AT&T TR 62411 (12-90), AT&T TR54016, and ITU G.704 and G.706.



1. INTRODUCTION

The DS21Q42 is a superset version of the popular DS21Q41 Quad T1 framer offering the new features listed below. All of the original features of the DS21Q41 have been retained and software created for the original device is transferable to the DS21Q42.

New Features

- Additional hardware signaling capability including:
 - Receive signaling re-insertion to a backplane multiframe sync
 - Availability of signaling in a separate PCM data stream
 - Signaling freezing
 - Interrupt generated on change of signaling data
- Full HDLC controller with 64-byte buffers in both transmit and receive paths. Configurable for FDL or DS0 access
- Per-channel code insertion in both transmit and receive paths
- Ability to monitor one DS0 channel in both the transmit and receive paths
- RCL, RLOS, RRA, and RAIS alarms now interrupt on change of state
- Detects AIS-CI
- 8.192 MHz clock synthesizer
- Per-channel loopback
- Ability to calculate and check CRC6 according to the Japanese standard
- Ability to pass the F-Bit position through the elastic stores in the 2.048 MHz backplane mode
- IEEE 1149.1 support

Features

- Four T1 DS1/ISDN-PRI/J1 framing transceivers
- All four framers are fully independent
- Frames to D4, ESF, and SLC-96 R formats
- Each of the four framers contain dual two-frame elastic store slip buffers that can connect to asynchronous backplanes up to 8.192 MHz
- 8-bit parallel control port that can be used directly on either multiplexed or non-multiplexed buses (Intel or Motorola)
- Extracts and inserts robbed bit signaling
- Detects and generates yellow (RAI) and blue (AIS) alarms
- Programmable output clocks for Fractional T1
- Fully independent transmit and receive functionality
- Generates and detects in-band loop codes from 1 to 8 bits in length including CSU loop codes
- Contains ANSI one's density monitor and enforcer
- Large path and line error counters including BPV, CV, CRC6, and framing bit errors
- Pin compatible with DS21Q44 E1 Enhanced Quad E1 Framer
- 3.3V supply with 5V tolerant I/O; low power CMOS
- Available in 128-pin TQFP package

Functional Description

The receive side framer locates D4 (SLC-96) or ESF multiframe boundaries as well as detects incoming alarms including, carrier loss, loss of synchronization, blue (AIS) and yellow alarms. If needed, the receive side elastic store can be enabled in order to absorb the phase and frequency differences between the recovered T1 data stream and an asynchronous backplane clock which is provided at the RSYCLK input. The clock applied at the RSYCLK input can be either a 2.048 MHz clock or a 1.544 MHz clock. The RSYCLK can be a burst clock with speeds up to 8.192 MHz.

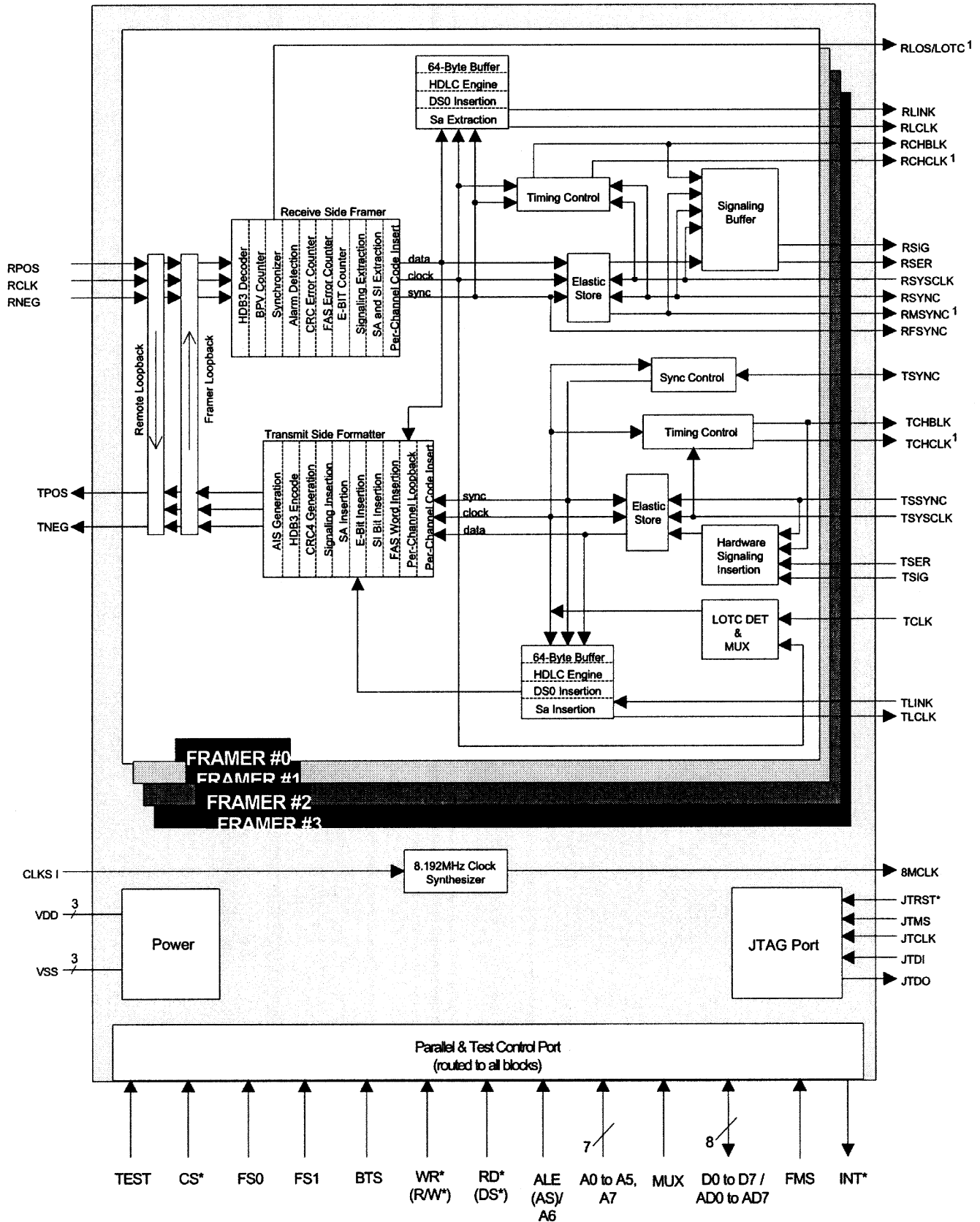
The transmit side of the DS21Q42 is totally independent from the receive side in both the clock requirements and characteristics. Data off of a backplane can be passed through a transmit side elastic store if necessary. The transmit formatter will provide the necessary frame/multiframe data overhead for T1 transmission.

Reader's Note:

This data sheet assumes a particular nomenclature of the T1 operating environment. In each 125 us frame, there are 24 eight-bit channels plus a framing bit. It is assumed that the framing bit is sent first followed by channel 1. Each channel is made up of eight bits which are numbered 1 to 8. Bit number 1 is the MSB and is transmitted first. Bit number 8 is the LSB and is transmitted last. Throughout this data sheet, the following abbreviations will be used:

D4	Superframe (12 frames per multiframe) Multiframe Structure
SLC-96	Subscriber Loop Carrier – 96 Channels (SLC-96 is an AT&T registered trademark)
ESF	Extended Superframe (24 frames per multiframe) Multiframe Structure
B8ZS	Bipolar with 8 Zero Substitution
CRC	Cyclical Redundancy Check
Ft	Terminal Framing Pattern in D4
Fs	Signaling Framing Pattern in D4
FPS	Framing Pattern in ESF
MF	Multiframe
BOC	Bit Oriented Code
HDLC	High Level Data Link Control
FDL	Facility Data Link

DS21Q42 ENHANCED QUAD T1 FRAMER Figure 1-1



Note:
 1. Alternate pin functions. Consult data sheet for restrictions.

TABLE OF CONTENTS

1. INTRODUCTION	2
2. DS21Q42 PIN DESCRIPTION	8
3. DS21Q42 PIN FUNCTION DESCRIPTION	15
4. DS21Q42 REGISTER MAP.....	22
5. PARALLEL PORT.....	26
6. CONTROL, ID AND TEST REGISTERS	26
7. STATUS AND INFORMATION REGISTERS.....	37
8. ERROR COUNT REGISTERS.....	45
9. DS0 MONITORING FUNCTION.....	48
10. SIGNALING OPERATION	50
10.1. PROCESSOR BASED SIGNALING	50
10.2. HARDWARE BASED SIGNALING	52
11. PER-CHANNEL CODE (IDLE) GENERATION AND LOOPBACK.....	53
11.1. TRANSMIT SIDE CODE GENERATION	53
11.1.1. Simple Idle Code Insertion and Per-Channel Loopback	54
11.1.2. Per-Channel Code Insertion	55
11.2. RECEIVE SIDE CODE GENERATION	55
11.2.1. Simple Code Insertion	55
11.2.2. Per-Channel Code Insertion	56
12. CLOCK BLOCKING REGISTERS	57
13. ELASTIC STORES OPERATION	58
13.1. RECEIVE SIDE	58
13.2. TRANSMIT SIDE	58
13.3. MINIMUM DELAY SYNCHRONOUS RSYSCLK/TSYSCLK MODE	59

14. HDLC CONTROLLER	59
14.1. HDLC FOR DS0S	59
15. FDL/FS EXTRACTION AND INSERTION	60
15.1. HDLC AND BOC CONTROLLER FOR THE FDL	60
15.1.1. General Overvie	60
15.1.2. Status Register for the HDLC	61
15.1.3. HDLC/BOC Register Description	63
15.2. LEGACY FDL SUPPORT	71
15.2.1. Ov_2.1.71	71
15.2.2. Receive Section.....	71
15.2.3. Transmit Section	72
15.2.4. D4/SLC-96 OPERATION	73
16. PROGRAMMABLE IN-BAND CODE GENERATION AND DETECTION	73
17. TRANSMIT TRANSPARENCY	76
18. INTERLEAVED PCM BUS OPERATION	76
19. JTAG-BOUNDARY SCAN ARCHITECTURE AND TEST ACCESS PORT	79
19.1. DESCRIPTION	79
19.2. TAP CONTROLLER STATE MACHINE.....	80
19.3. INSTRUCTION REGISTER AND INSTRUCTIONS	82
19.4. TEST REGISTERS	84
20. TIMING DIAGRAMS	89
21. OPERATING PARAMETERS	104
22. 128-PIN TQFP PACKAGE SPECIFICATIONS	119

DOCUMENT REVISION HISTORY

Revision

Notes

12-22-98 Initial Release

2. DS21Q42 PIN DESCRIPTION

Pin Description Sorted by Pin Number Table 2-1

PIN	SYMBOL	TYPE	DESCRIPTION
1	TCHBLK0	O	Transmit Channel Block from Framer 0
2	TPOS0	O	Transmit Bipolar Data from Framer 0
3	TNEG0	O	Transmit Bipolar Data from Framer 0
4	RLINK0	O	Receive Link Data from Framer 0
5	RLCLK0	O	Receive Link Clock from Framer 0
6	RCLK0	I	Receive Clock for Framer 0
7	RNEG0	I	Receive Bipolar Data for Framer 0
8	RPOS0	I	Receive Bipolar Data for Framer 0
9	RSIG0 [RCHCLK0]	O [O]	Receive Signaling Output from Framer 0 [Receive Channel Clock from Framer 0]
10	RCHBLK0	O	Receive Channel Block from Framer 0
11	RSYSCLK0	I	Receive System Clock for Elastic Store in Framer 0
12	RSYNC0	I/O	Receive Sync for Framer 0
13	RSER0	O	Receive Serial Data from Framer 0
14	VSS	-	Signal Ground
15	VDD	-	Positive Supply Voltage
16	SPARE1 [RMSYNC0]	- [O]	RESERVED - must be left unconnected for normal operation [Receive Multiframe Sync from Framer 0]
17	RFSYNC0	O	Receive Frame Sync from Framer 0
18	JTRST* [RLOS/LOTC0]	I [O]	JTAG Reset [Receive Loss of Sync/Loss of Transmit clock from Framer 0]
19	TCLK0	I	Transmit Clock for Framer 0
20	TLCLK0	O	Transmit Link Clock from Framer 0
21	TSYNC0	I/O	Transmit Sync for Framer 0
22	TLINK0	I	Transmit Link Data for Framer 0
23	A0	I	Address Bus Bit 0; LSB
24	A1	I	Address Bus Bit 1
25	A2	I	Address Bus Bit 2
26	A3	I	Address Bus Bit 3
27	A4	I	Address Bus Bit 4
28	A5	I	Address Bus Bit 5
29	A6/ALE (AS)	I	Address Bus Bit 6; MSB or Address Latch Enable (Address Strobe)
30	INT*	O	Receive Alarm Interrupt for all Four Framers
31	TSYSCLK1	I	Transmit System Clock for Elastic Store in Framer 1
32	TSER1	I	Transmit Serial Data for Framer 1
33	TSSYNC1	I	Transmit Sync for Elastic Store in Framer 1
34	TSIG1 [TCHCLK1]	I [O]	Transmit Signaling Input for Framer 1 [Transmit Channel Clock from Framer 1]
35	TCHBLK1	O	Transmit Channel Block from Framer 1
36	TPOS1	O	Transmit Bipolar Data from Framer 1
37	TNEG1	O	Transmit Bipolar Data from Framer 1
38	RLINK1	O	Receive Link Data from Framer 1

PIN	SYMBOL	TYPE	DESCRIPTION
39	RLCLK1	O	Receive Link Clock from Framer 1
40	RCLK1	I	Receive Clock for Framer 1
41	RNEG1	I	Receive Bipolar Data for Framer 1
42	RPOS1	I	Receive Bipolar Data for Framer 1
43	RSIG1 [RCHCLK1]	O [O]	Receive Signaling output from Framer 1 [Receive Channel Clock from Framer 1]
44	RCHBLK1	O	Receive Channel Block from Framer 1
45	RSYSCLK1	I	Receive System Clock for Elastic Store in Framer 1
46	A7	I	Address Bus Bit 7
47	FMS	I	Framer Mode Select
48	RSYNC1	I/O	Receive Sync for Framer 1
49	RSER1	O	Receive Serial Data from Framer 1
50	JTMS [RMSYNC1]	I [O]	JTAG Test Mode Select [Receive Multiframe Sync from Framer 1]
51	RFSYNC1	O	Receive Frame Sync from Framer 1
52	JTCLK [RLOS/LOTC1]	I [O]	JTAG Test Clock [Receive Loss of Sync/Loss of Transmit clock from Framer 1]
53	TCLK1	I	Transmit Clock for Framer 1
54	TLCLK1	O	Transmit Link Clock from Framer 1
55	TSYNC1	I/O	Transmit Sync for Framer 1
56	TLINK1	I	Transmit Link Data for Framer 1
57	TEST	I	3-state Control for all Output and I/O Pins
58	FS0	I	Framer Select 0 for Parallel Control Port
59	FS1	I	Framer Select 1 for Parallel Control Port
60	CS*	I	Chip Select
61	BTS	I	Bus Type Select for Parallel Control Port
62	RD*/(DS*)	I	Read Input (Data Strobe)
63	WR*/(R/W*)	I	Write Input (Read/Write)
64	MUX	I	Non-Multiplexed or Multiplexed Bus Select
65	TSYSCLK2	I	Transmit System Clock for Elastic Store in Framer 2
66	TSER2	I	Transmit Serial Data for Framer 2
67	TSSYNC2	I	Transmit Sync for Elastic Store in Framer 2
68	TSIG2 [TCHCLK2]	I [O]	Transmit Signaling Input for Framer 2 [Transmit Channel Clock from Framer 2]
69	TCHBLK2	O	Transmit Channel Block from Framer 2
70	TPOS2	O	Transmit Bipolar Data from Framer 2
71	TNEG2	O	Transmit Bipolar Data from Framer 2
72	RLINK2	O	Receive Link Data from Framer 2
73	RLCLK2	O	Receive Link Clock from Framer 2
74	RCLK2	I	Receive Clock for Framer 2
75	RNEG2	I	Receive Bipolar Data for Framer 2
76	RPOS2	I	Receive Bipolar Data for Framer 2
77	RSIG2 [RCHCLK2]	O [O]	Receive Signaling Output from Framer 2 [Receive Channel Clock from Framer 2]
78	VSS	-	Signal Ground
79	VDD	-	Positive Supply Voltage
80	RCHBLK2	O	Receive Channel Block from Framer 2

PIN	SYMBOL	TYPE	DESCRIPTION
81	RSYSCLK2	I	Receive System Clock for Elastic Store in Framer 2
82	RSYNC2	I/O	Receive Sync for Framer 2
83	RSER2	O	Receive Serial Data from Framer 2
84	JTDI [RMSYNC2]	I [O]	JTAG Test Data Input [Receive Multiframe Sync from Framer 2]
85	RFSYNC2	O	Receive Frame Sync from Framer 2
86	JTDO [RLOS/LOTC2]	O [O]	JTAG Test Data Output [Receive Loss of Sync/Loss of Transmit clock from Framer 2]
87	TCLK2	I	Transmit Clock for Framer 2
88	TLCLK2	O	Transmit Link Clock from Framer 2
89	TSYNC2	I/O	Transmit Sync for Framer 2
90	TLINK2	I	Transmit Link Data for Framer 2
91	TSYSCLK3	I	Transmit System Clock for Elastic Store in Framer 3
92	TSER3	I	Transmit Serial Data for Framer 3
93	TSSYNC3	I	Transmit Sync for Elastic Store in Framer 3
94	TSIG3 [TCHCLK3]	I [O]	Transmit Signaling Input for Framer 3 [Transmit Channel Clock from Framer 3]
95	TCHBLK3	O	Transmit Channel Block from Framer 3
96	TPOS3	O	Transmit Bipolar Data from Framer 3
97	TNEG3	O	Transmit Bipolar Data from Framer 3
98	RLINK3	O	Receive Link Data from Framer 3
99	RLCLK3	O	Receive Link Clock from Framer 3
100	RCLK3	I	Receive Clock for Framer 3
101	RNEG3	I	Receive Bipolar Data for Framer 3
102	RPOS3	I	Receive Bipolar Data for Framer 3
103	RSIG3 [RCHCLK3]	O [O]	Receive Signaling Output from Framer 3 [Receive Channel Clock from Framer 3]
104	RCHBLK3	O	Receive Channel Block from Framer 3
105	RSYSCLK3	I	Receive System Clock for Elastic Store in Framer 3
106	RSYNC3	I/O	Receive Sync for Framer 3
107	RSER3	O	Receive Serial Data from Framer 3
108	8MCLK [RMSYNC3]	O [O]	8 MHz Clock [Receive Multiframe Sync from Framer 3]
109	RFSYNC3	O	Receive Frame Sync from Framer 3
110	VSS	-	Signal Ground
111	VDD	-	Positive Supply Voltage
112	CLKSI [RLOS/LOTC3]	I [O]	8MCLK Clock Reference Input [Receive Loss of Sync/Loss of Transmit clock from Framer 3]
113	TCLK3	I	Transmit Clock for Framer 3
114	TLCLK3	O	Transmit Link Clock from Framer 3
115	TSYNC3	I/O	Transmit Sync for Framer 3
116	TLINK3	I	Transmit Link Data for Framer 3
117	D0 or AD0	I/O	Data Bus Bit or Address/Data Bit 0; LSB
118	D1 or AD1	I/O	Data Bus Bit or Address/Data Bit 1
119	D2 or AD2	I/O	Data Bus Bit or Address/Data Bit 2
120	D3 or AD3	I/O	Data Bus Bit or Address/Data Bit 3
121	D4 or AD4	I/O	Data Bus Bit or Address/Data Bit 4

PIN	SYMBOL	TYPE	DESCRIPTION
122	D5 or AD5	I/O	Data Bus Bit or Address/Data Bit 5
123	D6 or AD6	I/O	Data Bus Bit or Address/Data Bit 6
124	D7 or AD7	I/O	Data Bus Bit or Address/Data Bit 7; MSB
125	TSYSCLK0	I	Transmit System Clock for Elastic Store in Framer 0
126	TSER0	I	Transmit Serial Data for Framer 0
127	TSSYNC0	I	Transmit Sync for Elastic Store in Framer 0
128	TSIG0 [TCHCLK0]	I [O]	Transmit Signaling Input for Framer 0 [Transmit Channel Clock from Framer 0]

Note:

1. Brackets [] indicate pin function when the DS21Q42 is configured for emulation of the DS21Q41B, (FMS = 1).

Pin Description Sorted by Pin Function, FMS = 0 Table 2-2

PIN	SYMBOL	TYPE	DESCRIPTION
108	8MCLK	O	8 MHz Clock
23	A0	I	Address Bus Bit 0; LSB
24	A1	I	Address Bus Bit 1
25	A2	I	Address Bus Bit 2
26	A3	I	Address Bus Bit 3
27	A4	I	Address Bus Bit 4
28	A5	I	Address Bus Bit 5
29	A6/ALE (AS)	I	Address Bus Bit 6; MSB or Address Latch Enable (Address Strobe)
46	A7	I	Address Bus Bit 7
61	BTS	I	Bus Type Select for Parallel Control Port
112	CLKSI	I	8MCLK Clock Reference Input
60	CS*	I	Chip Select
117	D0 or AD0	I/O	Data Bus Bit or Address/Data Bit 0; LSB
118	D1 or AD1	I/O	Data Bus Bit or Address/Data Bit 1
119	D2 or AD2	I/O	Data Bus Bit or Address/Data Bit 2
120	D3 or AD3	I/O	Data Bus Bit or Address/Data Bit 3
121	D4 or AD4	I/O	Data Bus Bit or Address/Data Bit 4
122	D5 or AD5	I/O	Data Bus Bit or Address/Data Bit 5
123	D6 or AD6	I/O	Data Bus Bit or Address/Data Bit 6
124	D7 or AD7	I/O	Data Bus Bit or Address/Data Bit 7; MSB
47	FMS	I	Framer Mode Select
58	FS0	I	Framer Select 0 for Parallel Control Port
59	FS1	I	Framer Select 1 for Parallel Control Port
30	INT*	O	Receive Alarm Interrupt for all Four Framers
52	JTCLK	I	JTAG Test Clock
84	JTDI	I	JTAG Test Data Input
86	JTDO	O	JTAG Test Data Output
50	JTMS	I	JTAG Test Mode Select
18	JTRST*	I	JTAG Reset
64	MUX	I	Non-Multiplexed or Multiplexed Bus Select
10	RCHBLK0	O	Receive Channel Block from Framer 0
44	RCHBLK1	O	Receive Channel Block from Framer 1
80	RCHBLK2	O	Receive Channel Block from Framer 2
104	RCHBLK3	O	Receive Channel Block from Framer 3
6	RCLK0	I	Receive Clock for Framer 0
40	RCLK1	I	Receive Clock for Framer 1
74	RCLK2	I	Receive Clock for Framer 2
100	RCLK3	I	Receive Clock for Framer 3
62	RD*/(DS*)	I	Read Input (Data Strobe)
17	RFSYNC0	O	Receive Frame Sync from Framer 0
51	RFSYNC1	O	Receive Frame Sync from Framer 1
85	RFSYNC2	O	Receive Frame Sync from Framer 2
109	RFSYNC3	O	Receive Frame Sync from Framer 3
5	RLCLK0	O	Receive Link Clock from Framer 0

PIN	SYMBOL	TYPE	DESCRIPTION
39	RLCLK1	O	Receive Link Clock from Framer 1
73	RLCLK2	O	Receive Link Clock from Framer 2
99	RLCLK3	O	Receive Link Clock from Framer 3
4	RLINK0	O	Receive Link Data from Framer 0
38	RLINK1	O	Receive Link Data from Framer 1
72	RLINK2	O	Receive Link Data from Framer 2
98	RLINK3	O	Receive Link Data from Framer 3
7	RNEG0	I	Receive Bipolar Data for Framer 0
41	RNEG1	I	Receive Bipolar Data for Framer 1
75	RNEG2	I	Receive Bipolar Data for Framer 2
101	RNEG3	I	Receive Bipolar Data for Framer 3
8	RPOS0	I	Receive Bipolar Data for Framer 0
42	RPOS1	I	Receive Bipolar Data for Framer 1
76	RPOS2	I	Receive Bipolar Data for Framer 2
102	RPOS3	I	Receive Bipolar Data for Framer 3
13	RSER0	O	Receive Serial Data from Framer 0
49	RSER1	O	Receive Serial Data from Framer 1
83	RSER2	O	Receive Serial Data from Framer 2
107	RSER3	O	Receive Serial Data from Framer 3
9	RSIG0	O	Receive Signaling Output from Framer 0
43	RSIG1	O	Receive Signaling output from Framer 1
77	RSIG2	O	Receive Signaling Output from Framer 2
103	RSIG3	O	Receive Signaling Output from Framer 3
12	RSYNC0	I/O	Receive Sync for Framer 0
48	RSYNC1	I/O	Receive Sync for Framer 1
82	RSYNC2	I/O	Receive Sync for Framer 2
106	RSYNC3	I/O	Receive Sync for Framer 3
11	RSYSCLK0	I	Receive System Clock for Elastic Store in Framer 0
45	RSYSCLK1	I	Receive System Clock for Elastic Store in Framer 1
81	RSYSCLK2	I	Receive System Clock for Elastic Store in Framer 2
105	RSYSCLK3	I	Receive System Clock for Elastic Store in Framer 3
16	SPARE1	-	RESERVED - must be left unconnected for normal operation
1	TCHBLK0	O	Transmit Channel Block from Framer 0
35	TCHBLK1	O	Transmit Channel Block from Framer 1
69	TCHBLK2	O	Transmit Channel Block from Framer 2
95	TCHBLK3	O	Transmit Channel Block from Framer 3
19	TCLK0	I	Transmit Clock for Framer 0
53	TCLK1	I	Transmit Clock for Framer 1
87	TCLK2	I	Transmit Clock for Framer 2
113	TCLK3	I	Transmit Clock for Framer 3
57	TEST	I	3-state Control for all Output and I/O Pins
20	TLCLK0	O	Transmit Link Clock from Framer 0
54	TLCLK1	O	Transmit Link Clock from Framer 1
88	TLCLK2	O	Transmit Link Clock from Framer 2
114	TLCLK3	O	Transmit Link Clock from Framer 3
22	TLINK0	I	Transmit Link Data for Framer 0
56	TLINK1	I	Transmit Link Data for Framer 1

PIN	SYMBOL	TYPE	DESCRIPTION
90	TLINK2	I	Transmit Link Data for Framer 2
116	TLINK3	I	Transmit Link Data for Framer 3
3	TNEG0	O	Transmit Bipolar Data from Framer 0
37	TNEG1	O	Transmit Bipolar Data from Framer 1
71	TNEG2	O	Transmit Bipolar Data from Framer 2
97	TNEG3	O	Transmit Bipolar Data from Framer 3
2	TPOS0	O	Transmit Bipolar Data from Framer 0
36	TPOS1	O	Transmit Bipolar Data from Framer 1
70	TPOS2	O	Transmit Bipolar Data from Framer 2
96	TPOS3	O	Transmit Bipolar Data from Framer 3
126	TSER0	I	Transmit Serial Data for Framer 0
32	TSER1	I	Transmit Serial Data for Framer 1
66	TSER2	I	Transmit Serial Data for Framer 2
92	TSER3	I	Transmit Serial Data for Framer 3
128	TSIG0	I	Transmit Signaling Input for Framer 0
34	TSIG1	I	Transmit Signaling Input for Framer 1
68	TSIG2	I	Transmit Signaling Input for Framer 2
94	TSIG3	I	Transmit Signaling Input for Framer 3
127	TSSYNC0	I	Transmit Sync for Elastic Store in Framer 0
33	TSSYNC1	I	Transmit Sync for Elastic Store in Framer 1
67	TSSYNC2	I	Transmit Sync for Elastic Store in Framer 2
93	TSSYNC3	I	Transmit Sync for Elastic Store in Framer 3
21	TSYNC0	I/O	Transmit Sync for Framer 0
55	TSYNC1	I/O	Transmit Sync for Framer 1
89	TSYNC2	I/O	Transmit Sync for Framer 2
115	TSYNC3	I/O	Transmit Sync for Framer 3
125	TSYSCLK0	I	Transmit System Clock for Elastic Store in Framer 0
31	TSYSCLK1	I	Transmit System Clock for Elastic Store in Framer 1
65	TSYSCLK2	I	Transmit System Clock for Elastic Store in Framer 2
91	TSYSCLK3	I	Transmit System Clock for Elastic Store in Framer 3
15	VDD	-	Positive Supply Voltage
79	VDD	-	Positive Supply Voltage
111	VDD	-	Positive Supply Voltage
14	VSS	-	Signal Ground
78	VSS	-	Signal Ground
110	VSS	-	Signal Ground
63	WR*/(R/W*)	I	Write Input (Read/Write)

3. DS21Q42 PIN FUNCTION DESCRIPTION

TRANSMIT SIDE PINS

Signal Name: **TCLK**

Signal Description: **Transmit Clock**

Signal Type: **Input**

A 1.544 MHz primary clock. Used to clock data through the transmit side formatter.

Signal Name: **TSER**

Signal Description: **Transmit Serial Data**

Signal Type: **Input**

Transmit NRZ serial data. Sampled on the falling edge of TCLK when the transmit side elastic store is disabled. Sampled on the falling edge of TSYSClk when the transmit side elastic store is enabled.

Signal Name: **TCHCLK**

Signal Description: **Transmit Channel Clock**

Signal Type: **Output**

A 192 KHz clock which pulses high during the LSB of each channel. Synchronous with TCLK when the transmit side elastic store is disabled. Synchronous with TSYSClk when the transmit side elastic store is enabled. Useful for parallel to serial conversion of channel data. This function is available when FMS = 1 (DS21Q41 emulation).

Signal Name: **TCHBLK**

Signal Description: **Transmit Channel Block**

Signal Type: **Output**

A user programmable output that can be forced high or low during any of the 24 T1 channels. Synchronous with TCLK when the transmit side elastic store is disabled. Synchronous with TSYSClk when the transmit side elastic store is enabled. Useful for blocking clocks to a serial UART or LAPD controller in applications where not all T1 channels are used such as Fractional T1, 384 Kbps service, 768 Kbps or ISDN-PRI. Also useful for locating individual channels in drop-and-insert applications, for external per-channel loopback, and for per-channel conditioning. See Section 12 for details.

Signal Name: **TSYSClk**

Signal Description: **Transmit System Clock**

Signal Type: **Input**

1.544 MHz or 2.048 MHz clock. Only used when the transmit side elastic store function is enabled. Should be tied low in applications that do not use the transmit side elastic store. Can be burst at rates up to 8.192 MHz.

Signal Name: **TLCLK**

Signal Description: **Transmit Link Clock**

Signal Type: **Output**

4 KHz or 2 KHz (ZBTSI) demand clock for the TLINK input. See Section 15 for details.

Signal Name: **TLINK**

Signal Description: **Transmit Link Data**

Signal Type: **Input**

If enabled via TCR1.2, this pin will be sampled on the falling edge of TCLK for data insertion into either the FDL stream (ESF) or the Fs-bit position (D4) or the Z-bit position (ZBTSI). See Section 15 for details.

Signal Name: **TSYNC**

Signal Description: **Transmit Sync**

Signal Type: **Input /Output**

A pulse at this pin will establish either frame or multiframe boundaries for the transmit side. Via TCR2.2, the DS21Q42 can be programmed to output either a frame or multiframe pulse at this pin. If this pin is set to output pulses at frame boundaries, it can also be set via TCR2.4 to output double-wide pulses at signaling frames. See Section 20 for details.

Signal Name: **TSSYNC**

Signal Description: **Transmit System Sync**

Signal Type: **Input**

Only used when the transmit side elastic store is enabled. A pulse at this pin will establish either frame or multiframe boundaries for the transmit side. Should be tied low in applications that do not use the transmit side elastic store.

Signal Name: **TSIG**

Signal Description: **Transmit Signaling Input**

Signal Type: **Input**

When enabled, this input will sample signaling bits for insertion into outgoing PCM T1 data stream. Sampled on the falling edge of TCLK when the transmit side elastic store is disabled. Sampled on the falling edge of TSYCLK when the transmit side elastic store is enabled. This function is available when FMS = 0.

Signal Name: **TPOS**

Signal Description: **Transmit Positive Data Output**

Signal Type: **Output**

Updated on the rising edge of TCLK with the bipolar data out of the transmit side formatter. Can be programmed to source NRZ data via the Output Data Format (CCR1.6) control bit.

Signal Name: **TNEG**

Signal Description: **Transmit Negative Data Output**

Signal Type: **Output**

Updated on the rising edge of TCLK with the bipolar data out of the transmit side formatter.

RECEIVE SIDE PINS

Signal Name: **RLINK**

Signal Description: **Receive Link Data**

Signal Type: **Output**

Updated with either FDL data (ESF) or Fs bits (D4) or Z bits (ZBTSI) one RCLK before the start of a frame. See Section 20 for details.

Signal Name: **RLCLK**

Signal Description: **Receive Link Clock**

Signal Type: **Output**

A 4 KHz or 2 KHz (ZBTSI) clock for the RLINK output.

Signal Name: **RCHCLK**

Signal Description: **Receive Channel Clock**

Signal Type: **Output**

A 192 KHz clock which pulses high during the LSB of each channel. Synchronous with RCLK when the receive side elastic store is disabled. Synchronous with RSYSCCLK when the receive side elastic store is enabled. Useful for parallel to serial conversion of channel data. This function is available when FMS = 1 (DS21Q41 emulation).

Signal Name: **RCHBLK**

Signal Description: **Receive Channel Block**

Signal Type: **Output**

A user programmable output that can be forced high or low during any of the 24 T1 channels. Synchronous with RCLK when the receive side elastic store is disabled. Synchronous with RSYSCCLK when the receive side elastic store is enabled. Useful for blocking clocks to a serial UART or LAPD controller in applications where not all T1 channels are used such as Fractional T1, 384K bps service, 768K bps, or ISDN-PRI. Also useful for locating individual channels in drop-and-insert applications, for external per-channel loopback, and for per-channel conditioning. See Section 12 for details.

Signal Name: **RSER**

Signal Description: **Receive Serial Data**

Signal Type: **Output**

Received NRZ serial data. Updated on rising edges of RCLK when the receive side elastic store is disabled. Updated on the rising edges of RSYSCCLK when the receive side elastic store is enabled.

Signal Name: **RSYNC**

Signal Description: **Receive Sync**

Signal Type: **Input /Output**

An extracted pulse, one RCLK wide, is output at this pin which identifies either frame ($RCR2.4 = 0$) or multiframe ($RCR2.4 = 1$) boundaries. If set to output frame boundaries then via RCR2.5, RSYNC can also be set to output double-wide pulses on signaling frames. If the receive side elastic store is enabled via CCR1.2, then this pin can be enabled to be an input via RCR2.3 at which a frame or multiframe boundary pulse is applied. See Section 20 for details.

Signal Name: **RFSYNC**

Signal Description: **Receive Frame Sync**

Signal Type: **Output**

An extracted 8 KHz pulse, one RCLK wide, is output at this pin which identifies frame boundaries.

Signal Name: **RMSYNC**

Signal Description: **Receive Multiframe Sync**

Signal Type: **Output**

An extracted pulse, one RSYCLK wide, is output at this pin which identifies multiframe boundaries. If the receive side elastic store is disabled, then this output will output multiframe boundaries associated with RCLK. This function is available when FMS = 1 (DS21Q41 emulation).

Signal Name: **RSYSCLK**

Signal Description: **Receive System Clock**

Signal Type: **Input**

1.544 MHz or 2.048 MHz clock. Only used when the elastic store function is enabled. Should be tied low in applications that do not use the elastic store. Can be burst at rates up to 8.192 MHz.

Signal Name: **RSIG**

Signal Description: **Receive Signaling Output**

Signal Type: **Output**

Outputs signaling bits in a PCM format. Updated on rising edges of RCLK when the receive side elastic store is disabled. Updated on the rising edges of RSYCLK when the receive side elastic store is enabled. This function is available when FMS = 0.

Signal Name: **RLOS/LOTC**

Signal Description: **Receive Loss of Sync / Loss of Transmit Clock**

Signal Type: **Output**

A dual function output that is controlled by the CCR3.5 control bit. This pin can be programmed to either toggle high when the synchronizer is searching for the frame and multiframe or to toggle high if the TCLK pin has not been toggled for 5 usec. This function is available when FMS = 1 (DS21Q41 emulation).

Signal Name: **CLKSI**

Signal Description: **8 MHz Clock Reference**

Signal Type: **Input**

A 1.544 MHz reference clock used in the generation of 8MCLK. This function is available when FMS = 0.

Signal Name: **8MCLK**

Signal Description: **8 MHz Clock**

Signal Type: **Output**

A 8.192 MHz output clock that is referenced to the clock that is input at the CLKSI pin. This function is available when FMS = 0.

Signal Name: **RPOS**

Signal Description: **Receive Positive Data Input**

Signal Type: **Input**

Sampled on the falling edge of RCLK for data to be clocked through the receive side framer. RPOS and RNEG can be tied together for an NRZ interface. Connecting RPOS to RNEG disables the bipolar violation monitoring circuitry.

Signal Name: **RNEG**

Signal Description: **Receive Negative Data Input**

Signal Type: **Input**

Sampled on the falling edge of RCLK for data to be clocked through the receive side framer. RPOS and RNEG can be tied together for an NRZ interface. Connecting RPOS to RNEG disables the bipolar violation monitoring circuitry.

Signal Name: **RCLK**

Signal Description: **Receive Clock Input**

Signal Type: **Input**

Clock used to clock data through the receive side framer.

PARALLEL CONTROL PORT PINS

Signal Name: **INT***

Signal Description: **Interrupt**

Signal Type: **Output**

Flags host controller during conditions and change of conditions defined in the Status Registers 1 and 2 and the HDLC Status Register. Active low, open drain output.

Signal Name: **FMS**

Signal Description: **Framer Mode Select**

Signal Type: **Input**

Set low to select DS21Q42 feature set. Set high to select DS21Q41 emulation.

Signal Name: **MUX**

Signal Description: **Bus Operation**

Signal Type: **Input**

Set low to select non-multiplexed bus operation. Set high to select multiplexed bus operation.

Signal Name: **D0 to D7/ AD0 to AD7**

Signal Description: **Data Bus or Address/Data Bus**

Signal Type: **Input /Output**

In non-multiplexed bus operation (MUX = 0), serves as the data bus. In multiplexed bus operation (MUX = 1), serves as a 8-bit multiplexed address / data bus.

Signal Name: **A0 to A5, A7**

Signal Description: **Address Bus**

Signal Type: **Input**

In non-multiplexed bus operation (MUX = 0), serves as the address bus. In multiplexed bus operation (MUX = 1), these pins are not used and should be tied low.

Signal Name: **ALE(AS)/A6**

Signal Description: **A6 or Address Latch Enable (Address Strobe)**

Signal Type: **Input**

In non-multiplexed bus operation (MUX = 0), serves as address bit 6. In multiplexed bus operation (MUX = 1), serves to demultiplex the bus on a positive-going edge.

Signal Name: **BTS**

Signal Description: **Bus Type Select**

Signal Type: **Input**

Strap high to select Motorola bus timing; strap low to select Intel bus timing. This pin controls the function of the RD*(DS*), ALE(AS), and WR*(R/W*) pins. If BTS = 1, then these pins assume the function listed in parenthesis ().

Signal Name: **RD*(DS*)**

Signal Description: **Read Input (Data Strobe)**

Signal Type: **Input**

RD* and DS* are active low signals. Note: DS is active high when MUX=1. Refer to bus timing diagrams in section 21 .

Signal Name: **FS0 AND FS1**

Signal Description: **Framer Selects**

Signal Type: **Input**

Selects which of the four framers to be accessed.

Signal Name: **CS***

Signal Description: **Chip Select**

Signal Type: **Input**

Must be low to read or write to the device. CS* is an active low signal.

Signal Name: **WR*(R/W*)**

Signal Description: **Write Input(Read/Write)**

Signal Type: **Input**

WR* is an active low signal.

TEST ACCESS PORT PINS

Signal Name: **TEST**

Signal Description: **3-State Control**

Signal Type: **Input**

Set high to 3-state all output and I/O pins (including the parallel control port) when FMS = 1 or when FMS = 0 and JTRST* is tied low. Set low for normal operation. Ignored when FMS = 0 and JTRST* = 1. Useful in board level testing.

Signal Name: **JTRST***

Signal Description: **IEEE 1149.1 Test Reset**

Signal Type: **Input**

This signal is used to asynchronously reset the test access port controller. At power up, JTRST* must be set low and then high. This action will set the device into the DEVICE ID mode allowing normal device operation. If boundary scan is not used and FMS = 0, this pin should be held low. This function is available when FMS = 0. When FMS=1, this pin is held LOW internally. This pin is pulled up internally by a 10K ohm resistor.

Signal Name: **JTMS**

Signal Description: **IEEE 1149.1 Test Mode Select**

Signal Type: **Input**

This pin is sampled on the rising edge of JTCLK and is used to place the test port into the various defined IEEE 1149.1 states. This pin is pulled up internally by a 10K ohm resistor. If not used, this pin should be left unconnected. This function is available when FMS = 0.

Signal Name: **JTCLK**

Signal Description: **IEEE 1149.1 Test Clock Signal**

Signal Type: **Input**

This signal is used to shift data into JTDI pin on the rising edge and out of JTDO pin on the falling edge. If not used, this pin should be connected to VSS. This function is available when FMS = 0.

Signal Name: **JTDI**

Signal Description: **IEEE 1149.1 Test Data Input**

Signal Type: **Input**

Test instructions and data are clocked into this pin on the rising edge of JTCLK. This pin is pulled up internally by a 10K ohm resistor. If not used, this pin should be left unconnected. This function is available when FMS = 0.

Signal Name: **JTDO**

Signal Description: **IEEE 1149.1 Test Data Output**

Signal Type: **Output**

Test instructions and data are clocked out of this pin on the falling edge of JTCLK. If not used, this pin should be left unconnected. This function is available when FMS = 0.

SUPPLY PINS

Signal Name: VDD

Signal Description: **Positive Supply**

Signal Type: **Supply**

2.97 to 3.63 volts.

Signal Name: VSS

Signal Description: **Signal Ground**

Signal Type: **Supply**

0.0 volts.

4. DS21Q42 REGISTER MAP

Register Map Sorted by Address Table 4-1

ADDRESS	R/W	REGISTER NAME	REGISTER ABBREVIATION
00	R/W	HDLC Control	HCR
01	R/W	HDLC Status	HSR
02	R/W	HDLC Interrupt Mask	HIMR
03	R/W	Receive HDLC Information	RHIR
04	R/W	Receive Bit Oriented Code	RBOC
05	R	Receive HDLC FIFO	RHFR
06	R/W	Transmit HDLC Information	THIR
07	R/W	Transmit Bit Oriented Code	TBOC
08	W	Transmit HDLC FIFO	THFR
09	–	Not used	(set to 00H)
0A	R/W	Common Control 7	CCR7
0B	–	Not used	(set to 00H)
0C	–	Not used	(set to 00H)
0D	–	Not used	(set to 00H)
0E	–	Not used	(set to 00H)
0F	R	Device ID	IDR
10	R/W	Receive Information 3	RIR3
11	R/W	Common Control 4	CCR4
12	R/W	In-Band Code Control	IBCC
13	R/W	Transmit Code Definition	TCD
14	R/W	Receive Up Code Definition	RUPCD
15	R/W	Receive Down Code Definition	RDNCD
16	R/W	Transmit Channel Control 1	TCC1
17	R/W	Transmit Channel Control 2	TCC2
18	R/W	Transmit Channel Control 3	TCC3
19	R/W	Common Control 5	CCR5
1A	R	Transmit DS0 Monitor	TDS0M
1B	R/W	Receive Channel Control 1	RCC1
1C	R/W	Receive Channel Control 2	RCC2
1D	R/W	Receive Channel Control 3	RCC3
1E	R/W	Common Control 6	CCR6
1F	R	Receive DS0 Monitor	RDS0M
20	R/W	Status 1	SR1
21	R/W	Status 2	SR2
22	R/W	Receive Information 1	RIR1
23	R	Line Code Violation Count 1	LCVCR1
24	R	Line Code Violation Count 2	CVCR2
25	R	Path Code Violation Count 1	PCVCR1
26	R	Path Code violation Count 2	PCVCR2
27	R	Multiframe Out of Sync Count 2	MOSCR2
28	R	Receive FDL Register	RFDL
29	R/W	Receive FDL Match 1	RMTCH1

ADDRESS	R/W	REGISTER NAME	REGISTER ABBREVIATION
2A	R/W	Receive FDL Match 2	RMTCH2
2B	R/W	Receive Control 1	RCR1
2C	R/W	Receive Control 2	RCR2
2D	R/W	Receive Mark 1	RMR1
2E	R/W	Receive Mark 2	RMR2
2F	R/W	Receive Mark 3	RMR3
30	R/W	Common Control 3	CCR3
31	R/W	Receive Information 2	RIR2
32	R/W	Transmit Channel Blocking 1	TCBR1
33	R/W	Transmit Channel blocking 2	TCBR2
34	R/W	Transmit Channel Blocking 3	TCBR3
35	R/W	Transmit Control 1	TCR1
36	R/W	Transmit Control 2	TCR2
37	R/W	Common Control 1	CCR1
38	R/W	Common Control 2	CCR2
39	R/W	Transmit Transparency 1	TTR1
3A	R/W	Transmit Transparency 2	TTR2
3B	R/W	Transmit Transparency 3	TTR3
3C	R/W	Transmit Idle 1	TIR1
3D	R/W	Transmit Idle 2	TIR2
3E	R/W	Transmit Idle 3	TIR3
3F	R/W	Transmit Idle Definition	TIDR
40	R/W	Transmit Channel 9	TC9
41	R/W	Transmit Channel 10	TC10
42	R/W	Transmit Channel 11	TC11
43	R/W	Transmit Channel 12	TC12
44	R/W	Transmit Channel 13	TC13
45	R/W	Transmit Channel 14	TC14
46	R/W	Transmit Channel 15	TC15
47	R/W	Transmit Channel 16	TC16
48	R/W	Transmit Channel 17	TC17
49	R/W	Transmit Channel 18	TC18
4A	R/W	Transmit Channel 19	TC19
4B	R/W	Transmit Channel 20	TC20
4C	R/W	Transmit Channel 21	TC21
4D	R/W	Transmit Channel 22	TC22
4E	R/W	Transmit Channel 23	TC23
4F	R/W	Transmit Channel 24	TC24
50	R/W	Transmit Channel 1	TC1
51	R/W	Transmit Channel 2	TC2
52	R/W	Transmit Channel 3	TC3
53	R/W	Transmit Channel 4	TC4
54	R/W	Transmit Channel 5	TC5
55	R/W	Transmit Channel 6	TC6
56	R/W	Transmit Channel 7	TC7
57	R/W	Transmit Channel 8	TC8

ADDRESS	R/W	REGISTER NAME	REGISTER ABBREVIATION
58	R/W	Receive Channel 17	RC17
59	R/W	Receive Channel 18	RC18
5A	R/W	Receive Channel 19	RC19
5B	R/W	Receive Channel 20	RC20
5C	R/W	Receive Channel 21	RC21
5D	R/W	Receive Channel 22	RC22
5E	R/W	Receive Channel 23	RC23
5F	R/W	Receive Channel 24	RC24
60	R	Receive Signaling 1	RS1
61	R	Receive Signaling 2	RS2
62	R	Receive Signaling 3	RS3
63	R	Receive Signaling 4	RS4
64	R	Receive Signaling 5	RS5
65	R	Receive Signaling 6	RS6
66	R	Receive Signaling 7	RS7
67	R	Receive Signaling 8	RS8
68	R	Receive Signaling 9	RS9
69	R	Receive Signaling 10	RS10
6A	R	Receive Signaling 11	RS11
6B	R	Receive Signaling 12	RS12
6C	R/W	Receive Channel Blocking 1	RCBR1
6D	R/W	Receive Channel Blocking 2	RCBR2
6E	R/W	Receive Channel Blocking 3	RCBR3
6F	R/W	Interrupt Mask 2	IMR2
70	R/W	Transmit Signaling 1	TS1
71	R/W	Transmit Signaling 2	TS2
72	R/W	Transmit Signaling 3	TS3
73	R/W	Transmit Signaling 4	TS4
74	R/W	Transmit Signaling 5	TS5
75	R/W	Transmit Signaling 6	TS6
76	R/W	Transmit Signaling 7	TS7
77	R/W	Transmit Signaling 8	TS8
78	R/W	Transmit Signaling 9	TS9
79	R/W	Transmit Signaling 10	TS10
7A	R/W	Transmit Signaling 11	TS11
7B	R/W	Transmit Signaling 12	TS12
7C	–	Not used	(set to 00H)
7D	R/W	Test 1	TEST1 (set to 00h)
7E	R/W	Transmit FDL Register	TFDL
7F	R/W	Interrupt Mask Register 1	IMR1
80	R/W	Receive Channel 1	RC1
81	R/W	Receive Channel 2	RC2
82	R/W	Receive Channel 3	RC3
83	R/W	Receive Channel 4	RC4
84	R/W	Receive Channel 5	RC5
85	R/W	Receive Channel 6	RC6

ADDRESS	R/W	REGISTER NAME	REGISTER ABBREVIATION
86	R/W	Receive Channel 7	RC7
87	R/W	Receive Channel 8	RC8
88	R/W	Receive Channel 9	RC9
89	R/W	Receive Channel 10	RC10
8A	R/W	Receive Channel 11	RC11
8B	R/W	Receive Channel 12	RC12
8C	R/W	Receive Channel 13	RC13
8D	R/W	Receive Channel 14	RC14
8E	R/W	Receive Channel 15	RC15
8F	R/W	Receive Channel 16	RC16
90	R/W	Receive HDLC DS0 Control Register 1	RDC1
91	R/W	Receive HDLC DS0 Control Register 2	RDC2
92	R/W	Transmit HDLC DS0 Control Register 1	TDC1
93	R/W	Transmit HDLC DS0 Control Register 2	TDC2
94	R/W	Interleave Bus Operation Register	IBO
95	–	Not used	(set to 00H)
96	R/W	Test 2	TEST2 (set to 00h)
97	–	Not used	(set to 00H)
98	–	Not used	(set to 00H)
99	–	Not used	(set to 00H)
9A	–	Not used	(set to 00H)
9B	–	Not used (set to 00H)	
9C	–	Not used (set to 00H)	
9D	–	Not used (set to 00H)	
9E	–	Not used (set to 00H)	
9F	–	Not used (set to 00H)	

Notes:

1. Test Registers 1 and 2 are used only by the factory; these registers must be cleared (set to all zeros) on power-up initialization to insure proper operation.
2. Register banks AxH, BxH, CxH, DxH, ExH, and FxH are not accessible.

5. PARALLEL PORT

The DS21Q42 is controlled via either a nonmultiplexed (MUX = 0) or a multiplexed (MUX = 1) bus by an external microcontroller or microprocessor. The DS21Q42 can operate with either Intel or Motorola bus timing configurations. If the BTS pin is tied low, Intel timing will be selected; if tied high, Motorola timing will be selected. All Motorola bus signals are listed in parenthesis (). See the timing diagrams in the A.C. Electrical Characteristics in Section 21 for more details.

6. CONTROL, ID AND TEST REGISTERS

The operation of each framer within the DS21Q42 is configured via a set of eleven control registers. Typically, the control registers are only accessed when the system is first powered up. Once a channel in the DS21Q42 has been initialized, the control registers will only need to be accessed when there is a change in the system configuration. There are two Receive Control Register (RCR1 and RCR2), two Transmit Control Registers (TCR1 and TCR2), and seven Common Control Registers (CCR1 to CCR7). Each of the eleven registers are described in this section. There is a device Identification Register (IDR) at address 0Fh. The MSB of this read-only register is fixed to a zero indicating that the DS21Q42 is present. The E1 pin-for-pin compatible version of the DS21Q42 is the DS21Q44 and it also has an ID register at address 0Fh and the user can read the MSB to determine which chip is present since in the DS21Q42 the MSB will be set to a zero and in the DS21Q44 it will be set to a one. The lower four bits of the IDR are used to display the die revision of the chip.

Power-Up Sequence

The DS21Q42 does not automatically clear its register space on power-up. After the supplies are stable, each of the four framer's register space should be configured for operation by writing to all of the internal registers. This includes setting the Test and all unused registers to 00Hex.

This can be accomplished using a two-pass approach on each framer within the DS21Q42.

1. Clear framer's register space by writing 00H to the addresses 00H through 09FH.
2. Program required registers to achieve desired operating mode.

Note:

When emulating the DS21Q41 feature set (FMS = 1), the full address space (00H through 09FH) must be initialized. DS21Q41 emulation requires address pin A7 to be used.

Finally, after the TSYCLK and RSYCLK inputs are stable, the ESR bit should be toggled from a zero to a one (this step can be skipped if the elastic stores are disabled).

IDR: DEVICE IDENTIFICATION REGISTER (Address=0F Hex)

(MSB)				(LSB)			
T1E1	0	0	0	ID3	ID2	ID1	ID0

SYMBOL	POSITION	NAME AND DESCRIPTION
T1E1	IDR.7	T1 or E1 Chip Determination Bit. 0=T1 chip 1=E1 chip
ID3	IDR.3	Chip Revision Bit 3. MSB of a decimal code that represents the chip revision.
ID2	IDR.1	Chip Revision Bit 2.
ID1	IDR.2	Chip Revision Bit 1.
ID0	IDR.0	Chip Revision Bit 0. LSB of a decimal code that represents the chip revision.

RCR1: RECEIVE CONTROL REGISTER 1 (Address=2B Hex)

(MSB)						(LSB)	
LCVCRF	ARC	OOF1	OOF2	SYNCC	SYNCT	SYNCE	RESYNC

SYMBOL	POSITION	NAME AND DESCRIPTION
LCVCRF	RCR1.7	Line Code Violation Count Register Function Select. 0 = do not count excessive zeros 1 = count excessive zeros
ARC	RCR1.6	Auto Resync Criteria. 0 = Resync on OOF or RCL event 1 = Resync on OOF only
OOF1	RCR1.5	Out Of Frame Select 1. 0 = 2/4 frame bits in error 1 = 2/5 frame bits in error
OOF2	RCR1.4	Out Of Frame Select 2. 0 = follow RCR1.5 1 = 2/6 frame bits in error
SYNCC	RCR1.3	Sync Criteria. In D4 Framing Mode. 0 = search for Ft pattern, then search for Fs pattern 1 = cross couple Ft and Fs pattern In ESF Framing Mode. 0 = search for FPS pattern only 1 = search for FPS and verify with CRC6
SYNCT	RCR1.2	Sync Time. 0 = qualify 10 bits 1 = qualify 24 bits
SYNCE	RCR1.1	Sync Enable. 0 = auto resync enabled 1 = auto resync disabled
RESYNC	RCR1.0	Resync. When toggled from low to high, a resynchronization of the receive side framer is initiated. Must be cleared and set again for a subsequent resync.

RCR2: RECEIVE CONTROL REGISTER 2 (Address=2C Hex)**(MSB)****(LSB)**

RCS	RZBTSI	RSDW	RSM	RSIO	RD4YM	FSBE	MOSCRF
-----	--------	------	-----	------	-------	------	--------

SYMBOL	POSITION	NAME AND DESCRIPTION
RCS	RCR2.7	Receive Code Select. See Section 11 for more details. 0 = idle code (7F Hex) 1 = digital milliwatt code (1E/0B/0B/1E/9E/8B/8B/9E Hex)
RZBTSI	RCR2.6	Receive Side ZBTSI Enable. 0 = ZBTSI disabled 1 = ZBTSI enabled
RSDW	RCR2.5	RSYNC Double–Wide. (note: this bit must be set to zero when RCR2.4 = 1 or when RCR2.3 = 1) 0 = do not pulse double wide in signaling frames 1 = do pulse double wide in signaling frames
RSM	RCR2.4	RSYNC Mode Select. (A Don't Care if RSYNC is programmed as an input) 0 = frame mode (see the timing in Section 20) 1 = multiframe mode (see the timing in Section 20)
RSIO	RCR2.3	RSYNC I/O Select. (note: this bit must be set to zero when CCR1.2 = 0) 0 = RSYNC is an output 1 = RSYNC is an input (only valid if elastic store enabled)
RD4YM	RCR2.2	Receive Side D4 Yellow Alarm Select. 0 = zeros in bit 2 of all channels 1 = a one in the S–bit position of frame 12
FSBE	RCR2.1	PCVCR Fs–Bit Error Report Enable. 0 = do not report bit errors in Fs–bit position; only Ft bit position 1 = report bit errors in Fs–bit position as well as Ft bit position
MOSCRF	RCR2.0	Multiframe Out of Sync Count Register Function Select. 0 = count errors in the framing bit position 1 = count the number of multiframes out of sync

TCR1: TRANSMIT CONTROL REGISTER 1 (Address=35 Hex)

(MSB)				(LSB)			
LOTCCM	TFPT	TCPT	TSSE	GB7S	TFDLS	TBL	TYEL

SYMBOL	POSITION	NAME AND DESCRIPTION
LOTCCM	TCR1.7	Loss Of Transmit Clock Mux Control. Determines whether the transmit side formatter should switch to RCLK if the TCLK input should fail to transition (see Figure 1.1 for details). 0 = do not switch to RCLK if TCLK stops 1 = switch to RCLK if TCLK stops
TFPT	TCR1.6	Transmit F–Bit Pass Through. (see note below) 0 = F bits sourced internally 1 = F bits sampled at TSER
TCPT	TCR1.5	Transmit CRC Pass Through. (see note below) 0 = source CRC6 bits internally 1 = CRC6 bits sampled at TSER during F–bit time
TSSE	TCR1.4	Software Signaling Insertion Enable. (see note below) 0 = no signaling is inserted in any channel 1 = signaling is inserted in all channels from the TS1-TS12 registers (the TTR registers can be used to block insertion on a channel by channel basis)
GB7S	TCR1.3	Global Bit 7 Stuffing. (see note below) 0 = allow the TTR registers to determine which channels containing all zeros are to be Bit 7 stuffed 1 = force Bit 7 stuffing in all zero byte channels regardless of how the TTR registers are programmed
TFDLS	TCR1.2	TFDL Register Select. (see note below) 0 = source FDL or Fs bits from the internal TFDL register (legacy FDL support mode) 1 = source FDL or Fs bits from the internal HDLC/BOC controller or the TLINK pin
TBL	TCR1.1	Transmit Blue Alarm. (see note below) 0 = transmit data normally 1 = transmit an unframed all one's code at TPOS and TNEG
TYEL	TCR1.0	Transmit Yellow Alarm. (see note below) 0 = do not transmit yellow alarm 1 = transmit yellow alarm

Note:

For a description of how the bits in TCR1 affect the transmit side formatter, see Figure 20-15.

TCR2: TRANSMIT CONTROL REGISTER 2 (Address=36 Hex)

(MSB)						(LSB)	
TEST1	TEST0	TZBTSI	TSDW	TSM	TSIO	TD4YM	TB7ZS

SYMBOL	POSITION	NAME AND DESCRIPTION
TEST1	TCR2.7	Test Mode Bit 1 for Output Pins. See Table 6–1.
TEST0	TCR2.6	Test Mode Bit 0 for Output Pins. See Table 6–1.
TZBTSI	TCR2.5	Transmit Side ZBTSI Enable. 0 = ZBTSI disabled 1 = ZBTSI enabled
TSDW	TCR2.4	TSYNC Double–Wide. (note: this bit must be set to zero when TCR2.3=1 or when TCR2.2=0) 0 = do not pulse double–wide in signaling frames 1 = do pulse double–wide in signaling frames
TSM	TCR2.3	TSYNC Mode Select. 0 = frame mode (see the timing in Section 20) 1 = multiframe mode (see the timing in Section 20)
TSIO	TCR2.2	TSYNC I/O Select. 0 = TSYNC is an input 1 = TSYNC is an output
TD4YM	TCR2.1	Transmit Side D4 Yellow Alarm Select. 0 = zeros in bit 2 of all channels 1 = a one in the S–bit position of frame 12
TB7ZS	TCR2.0	Transmit Side Bit 7 Zero Suppression Enable. 0 = no stuffing occurs 1 = Bit 7 force to a one in channels with all zeros

OUTPUT PIN TEST MODES Table 6-1

TEST 1	TEST 0	EFFECT ON OUTPUT PINS
0	0	operate normally
0	1	force all of the selected framer's output pins 3–state (excludes other framers I/O pins and parallel port pins)
1	0	force all of the selected framer's output pins low (excludes other framers I/O pins and parallel port pins)
1	1	force all of the selected framer's output pins high (excludes other framers I/O pins and parallel port pins)

CCR1: COMMON CONTROL REGISTER 1 (Address=37 Hex)

(MSB)						(LSB)	
TESE	ODF	RSOA	TSCLKM	RSCLKM	RESE	PLB	FLB

SYMBOL	POSITION	NAME AND DESCRIPTION
TESE	CCR1.7	Transmit Elastic Store Enable. 0 = elastic store is bypassed 1 = elastic store is enabled
ODF	CCR1.6	Output Data Format. 0 = bipolar data at TPOS and TNEG 1 = NRZ data at TPOS; TNEG = 0
RSOA	CCR1.5	Receive Signaling All One's. This bit should not be enabled if hardware signaling is being utilized. See Section 10 for more details. 0 = allow robbed signaling bits to appear at RSER 1 = force all robbed signaling bits at RSER to one
TSCLKM	CCR1.4	TSYSCLK Mode Select. 0 = if TSYSCLK is 1.544 MHz 1 = if TSYSCLK is 2.048 MHz
RSCLKM	CCR1.3	RSYSCLK Mode Select. 0 = if RSYSCLK is 1.544 MHz 1 = if RSYSCLK is 2.048 MHz
RESE	CCR1.2	Receive Elastic Store Enable. 0 = elastic store is bypassed 1 = elastic store is enabled
PLB	CCR1.1	Payload Loopback. 0 = loopback disabled 1 = loopback enabled
FLB	CCR1.0	Framer Loopback. 0 = loopback disabled 1 = loopback enabled

Payload Loopback

When CCR1.1 is set to a one, the DS21Q42 will be forced into Payload LoopBack (PLB). Normally, this loopback is only enabled when ESF framing is being performed but can be enabled also in D4 framing applications. In a PLB situation, the DS21Q42 will loop the 192 bits of payload data (with BPVs corrected) from the receive section back to the transmit section. The FPS framing pattern, CRC6 calculation, and the FDL bits are not looped back, they are reinserted by the DS21Q42. When PLB is enabled, the following will occur:

1. Data will be transmitted from the TPOS and TNEG pins synchronous with RCLK instead of TCLK
2. All of the receive side signals will continue to operate normally
3. The TCHCLK and TCHBLK signals are forced low
4. Data at the TSER, and TSIG pins is ignored
5. The TLCLK signal will become synchronous with RCLK instead of TCLK.

Framer Loopback

When CCR1.0 is set to a one, the DS21Q42 will enter a Framer LoopBack (FLB) mode. This loopback is useful in testing and debugging applications. In FLB, the DS21Q42 will loop data from the transmit side back to the receive side. When FLB is enabled, the following will occur:

1. an unframed all one's code will be transmitted at TPOS and TNEG
2. data at RPOS and RNEG will be ignored
3. all receive side signals will take on timing synchronous with TCLK instead of RCLK

Please note that it is not acceptable to have RCLK tied to TCLK during this loopback because this will cause an unstable condition.

CCR2: COMMON CONTROL REGISTER 2 (Address=38 Hex)

(MSB)				(LSB)			
TFM	TB8ZS	TSLC96	TZSE	RFM	RB8ZS	RSLC96	RZSE

SYMBOL	POSITION	NAME AND DESCRIPTION
TFM	CCR2.7	Transmit Frame Mode Select. 0 = D4 framing mode 1 = ESF framing mode
TB8ZS	CCR2.6	Transmit B8ZS Enable. 0 = B8ZS disabled 1 = B8ZS enabled
TSLC96	CCR2.5	Transmit SLC-96 / Fs-Bit Insertion Enable. Only set this bit to a one in D4 framing applications. Must be set to one to source the Fs pattern. See Section 15 for details. 0 = SLC-96/Fs-bit insertion disabled 1 = SLC-96/Fs-bit insertion enabled
TZSE	CCR2.4	Transmit FDL Zero Stuffer Enable. Set this bit to zero if using the internal HDLC/BOC controller instead of the legacy support for the FDL. See Section 15 for details. 0 = zero stuffer disabled 1 = zero stuffer enabled
RFM	CCR2.3	Receive Frame Mode Select. 0 = D4 framing mode 1 = ESF framing mode
RB8ZS	CCR2.2	Receive B8ZS Enable. 0 = B8ZS disabled 1 = B8ZS enabled
RSLC96	CCR2.1	Receive SLC-96 Enable. Only set this bit to a one in D4/SLC-96 framing applications. See Section 15 for details. 0 = SLC-96 disabled 1 = SLC-96 enabled

SYMBOL	POSITION	NAME AND DESCRIPTION
RZSE	CCR2.0	Receive FDL Zero Destuffer Enable. Set this bit to zero if using the internal HDLC/BOC controller instead of the legacy support for the FDL. See Section 15 for details. 0 = zero destuffer disabled 1 = zero destuffer enabled

CCR3: COMMON CONTROL REGISTER 3 (Address=30 Hex)

(MSB)						(LSB)	
RESMDM	TCLKSRC	RLOSF	RSMS	PDE	ECUS	TLOOP	TESMDM

SYMBOL	POSITION	NAME AND DESCRIPTION
RESMDM	CCR3.7	Receive Elastic Store Minimum Delay Mode. See Section 13 for details. 0 = elastic stores operate at full two frame depth 1 = elastic stores operate at 32-bit depth
TCLKSRC	CCR3.6	Transmit Clock Source Select. This function allows the user to internally select RCLK as the clock source for the transmit side formatter. 0 = Transmit side formatter clocked with signal applied at TCLK pin. LOTIC Mux function is operational (TCR1.7) 1 = Transmit side formatter clocked with RCLK.
RLOSF	CCR3.5	Function of the RLOS/LOTIC Output. Active only when FMS = 1 (DS21Q41 emulation). 0 = Receive Loss of Sync (RLOS) 1 = Loss of Transmit Clock (LOTIC)
RSMS	CCR3.4	RSYNC Multiframe Skip Control. Useful in framing format conversions from D4 to ESF. This function is not available when the receive side elastic store is enabled. 0 = RSYNC will output a pulse at every multiframe 1 = RSYNC will output a pulse at every other multiframe note: for this bit to have any affect, the RSYNC must be set to output multiframe pulses (RCR2.4=1 and RCR2.3=0).
PDE	CCR3.3	Pulse Density Enforcer Enable. 0 = disable transmit pulse density enforcer 1 = enable transmit pulse density enforcer
ECUS	CCR3.2	Error Counter Update Select. See Section 8 for details. 0 = update error counters once a second 1 = update error counters every 42 ms (333 frames)
TLOOP	CCR3.1	Transmit Loop Code Enable. See Section 16 for details. 0 = transmit data normally 1 = replace normal transmitted data with repeating code as defined in TCD register

SYMBOL	POSITION	NAME AND DESCRIPTION
TESMDM	CCR3.0	Transmit Elastic Store Minimum Delay Mode. See Section 13 for details. 0 = elastic stores operate at full two frame depth 1 = elastic stores operate at 32-bit depth

Pulse Density Enforcer

The Frammer always examines both the transmit and receive data streams for violations of the following rules which are required by ANSI T1.403:

- no more than 15 consecutive zeros
- at least N ones in each and every time window of 8 x (N + 1) bits where N = 1 through 23

Violations for the transmit and receive data streams are reported in the RIR2.0 and RIR2.1 bits respectively. When the CCR3.3 is set to one, the DS21Q42 will force the transmitted stream to meet this requirement no matter the content of the transmitted stream. When running B8ZS, the CCR3.3 bit should be set to zero since B8ZS encoded data streams cannot violate the pulse density requirements.

CCR4: COMMON CONTROL REGISTER 4 (Address=11 Hex)

(MSB)				(LSB)			
RSRE	RPCSI	RFS A1	RFE	RFF	THSE	TPCSI	TIRFS

SYMBOL	POSITION	NAME AND DESCRIPTION
RSRE	CCR4.7	Receive Side Signaling Re-Insertion Enable. See Section 10 for details. 0 = do not re-insert signaling bits into the data stream presented at the RSER pin 1 = reinsert the signaling bits into data stream presented at the RSER pin
RPCSI	CCR4.6	Receive Per-Channel Signaling Insert. See Section 10 for more details. 0 = do not use RCHBLK to determine which channels should have signaling re-inserted 1 = use RCHBLK to determine which channels should have signaling re-inserted
RFS A1	CCR4.5	Receive Force Signaling All Ones. See Section 10 for more details. 0 = do not force extracted robbed-bit signaling bit positions to a one 1 = force extracted robbed-bit signaling bit positions to a one
RFE	CCR4.4	Receive Freeze Enable. See Section 10 for details. 0 = no freezing of receive signaling data will occur 1 = allow freezing of receive signaling data at RSIG (and RSER if CCR4.7 = 1).

SYMBOL	POSITION	NAME AND DESCRIPTION
RFF	CCR4.3	Receive Force Freeze. Freezes receive side signaling at RSIG (and RSER if CCR4.7=1); will override Receive Freeze Enable (RFE). See Section 10 for details. 0 = do not force a freeze event 1 = force a freeze event
THSE	CCR4.2	Transmit Hardware Signaling Insertion Enable. See Section 10 for details. 0 = do not insert signaling from the TSIG pin into the data stream presented at the TSER pin. 1 = Insert the signaling from the TSIG pin into data stream presented at the TSER pin.
TPCSI	CCR4.1	Transmit Per-Channel Signaling Insert. See Section 10 for details. 0 = do not use TCHBLK to determine which channels should have signaling inserted from the TSIG pin. 1 = use TCHBLK to determine which channels should have signaling inserted from the TSIG pin.
TIRFS	CCR4.0	Transmit Idle Registers (TIR) Function Select. See Section 11 for timing details. 0 = TIRs define in which channels to insert idle code 1 = TIRs define in which channels to insert data from RSER (i.e., Per = Channel Loopback function)

CCR5: COMMON CONTROL REGISTER 5 (Address=19 Hex)

(MSB)							(LSB)
TJC	–	–	TCM4	TCM3	TCM2	TCM1	TCM0

SYMBOL	POSITION	NAME AND DESCRIPTION
TJC	CCR5.7	Transmit Japanese CRC6 Enable. 0 = use ANSI/AT&T/ITU CRC6 calculation (normal operation) 1 = use Japanese standard JT-G704 CRC6 calculation
–	CCR5.6	Not Assigned. Must be set to zero when written.
–	CCR5.5	Not Assigned. Must be set to zero when written.
TCM4	CCR5.4	Transmit Channel Monitor Bit 4. MSB of a channel decode that determines which transmit channel data will appear in the TDSOM register. See Section 9 for details.
TCM3	CCR5.3	Transmit Channel Monitor Bit 3.
TCM2	CCR5.2	Transmit Channel Monitor Bit 2.
TCM1	CCR5.1	Transmit Channel Monitor Bit 1.
TCM0	CCR5.0	Transmit Channel Monitor Bit 0. LSB of the channel decode.

CCR6: COMMON CONTROL REGISTER 6 (Address=1E Hex)**(MSB)****(LSB)**

RJC	RESALGN	TESALGN	RCM4	RCM3	RCM2	RCM1	RCM0
-----	---------	---------	------	------	------	------	------

SYMBOL	POSITION	NAME AND DESCRIPTION
RJC	CCR6.7	Receive Japanese CRC6 Enable. 0 = use ANSI/AT&T/ITU CRC6 calculation (normal operation) 1 = use Japanese standard JT-G704 CRC6 calculation
RESALGN	CCR6.6	Receive Elastic Store Align. Setting this bit from a zero to a one may force the receive elastic store's write/read pointers to a minimum separation of half a frame. No action will be taken if the pointer separation is already greater or equal to half a frame. If pointer separation is less than half a frame, the command will be executed and data will be disrupted. Should be toggled after RSYCLK has been applied and is stable. Must be cleared and set again for a subsequent align. See Section 13 for details.
TESALGN	CCR6.5	Transmit Elastic Store Align. Setting this bit from a zero to a one may force the transmit elastic store's write/read pointers to a minimum separation of half a frame. No action will be taken if the pointer separation is already greater or equal to half a frame. If pointer separation is less than half a frame, the command will be executed and data will be disrupted. Should be toggled after TSYCLK has been applied and is stable. Must be cleared and set again for a subsequent align. See Section 13 for details.
RCM4	CCR6.4	Receive Channel Monitor Bit 4. MSB of a channel decode that determines which receive channel data will appear in the RDSOM register. See Section 9 for details.
RCM3	CCR6.3	Receive Channel Monitor Bit 3.
RCM2	CCR6.2	Receive Channel Monitor Bit 2.
RCM1	CCR6.1	Receive Channel Monitor Bit 1.
RCM0	CCR6.0	Receive Channel Monitor Bit 0. LSB of the channel decode.

CCR7: COMMON CONTROL REGISTER 7 (Address=0A Hex)

(MSB)				(LSB)			
-	RLB	RESR	TESR	-	-	-	-

SYMBOL	POSITION	NAME AND DESCRIPTION
-	CCR7.7	Not Assigned. Should be set to zero when written to.
RLB	CCR7.6	Remote Loopback. 0 = loopback disabled 1 = loopback enabled
RESR	CCR7.5	Receive Elastic Store Reset. Setting this bit from a zero to a one will force the receive elastic store to a depth of one frame. Receive data is lost during the reset. Should be toggled after RSYCLK has been applied and is stable. Do not leave this bit set high.
TESR	CCR7.4	Transmit Elastic Store Reset. Setting this bit from a zero to a one will force the transmit elastic store to a depth of one frame. Transmit data is lost during the reset. Should be toggled after TSYCLK has been applied and is stable. Do not leave this bit set high.
-	CCR7.3	Not Assigned. Should be set to zero when written to.
-	CCR7.2	Not Assigned. Should be set to zero when written to.
-	CCR7.1	Not Assigned. Should be set to zero when written to.
-	CCR7.0	Not Assigned. Should be set to zero when written to.

Remote Loopback

When CCR7.6 is set to a one, the DS21Q42 will be forced into Remote LoopBack (RLB). In this loopback, data input via the RPOS and RNEG pins will be transmitted back to the TPOS and TNEG pins. Data will continue to pass through the receive side framer of the DS21Q42 as it would normally and the data from the transmit side formatter will be ignored. Please see Figure 1-1 for more details.

7. STATUS AND INFORMATION REGISTERS

There is a set of nine registers per channel that contain information on the current real time status of a framer in the DS21Q42, Status Register 1 (SR1), Status Register 2 (SR2), Receive Information Registers 1 to 3 (RIR1/RIR2/RIR3) and a set of four registers for the onboard HDLC and BOC controller. The specific details on the four registers pertaining to the HDLC and BOC controller are covered in Section 15 but they operate the same as the other status registers in the DS21Q42 and this operation is described below.

When a particular event has occurred (or is occurring), the appropriate bit in one of these nine registers will be set to a one. All of the bits in SR1, SR2, RIR1, RIR2, and RIR3 registers operate in a latched fashion. This means that if an event or an alarm occurs and a bit is set to a one in any of the registers, it will remain set until the user reads that bit. The bit will be cleared when it is read and it will not be set again until the event has occurred again (or in the case of the RBL, RYEL, LRCL, and RLOS alarms, the bit will remain set if the alarm is still present). There are bits in the four HDLC and BOC status registers that are not latched and these bits are listed in Section 15.

The user will always precede a read of any of the nine registers with a write. The byte written to the register will inform the DS21Q42 which bits the user wishes to read and have cleared. The user will write a byte to one of these registers, with a one in the bit positions he or she wishes to read and a zero in the bit positions he or she does not wish to obtain the latest information on. When a one is written to a bit location, the read register will be updated with the latest information. When a zero is written to a bit position, the read register will not be updated and the previous value will be held. A write to the status and information registers will be immediately followed by a read of the same register. The read result should be logically AND'ed with the mask byte that was just written and this value should be written back into the same register to insure that bit does indeed clear. This second write step is necessary because the alarms and events in the status registers occur asynchronously in respect to their access via the parallel port. This write-read-write scheme allows an external microcontroller or microprocessor to individually poll certain bits without disturbing the other bits in the register. This operation is key in controlling the DS21Q42 with higher-order software languages.

The SR1, SR2, and FDLS registers have the unique ability to initiate a hardware interrupt via the INT* output pin. Each of the alarms and events in the SR1, SR2, and HSR can be either masked or unmasked from the interrupt pin via the Interrupt Mask Register 1 (IMR1), Interrupt Mask Register 2 (IMR2), and HDLC Interrupt Mask Register (HIMR) respectively. The FIMR register is covered in Section 15. The INTERRUPT STATUS REGISTER can be used to determine which framer is requesting interrupt servicing and the type of the request: status or the HDLC controller.

The interrupts caused by alarms in SR1 (namely RYEL, RCL, RBL, RLOS and LOTC) act differently than the interrupts caused by events in SR1 and SR2 (namely LUP, LDN, RSLIP, RMF, TMF, SEC, RFDL, TFDL, RMTCH, RAF, and RSC) and HIMR. The alarm caused interrupts will force the INT* pin low whenever the alarm changes state (i.e., the alarm goes active or inactive according to the set/clear criteria in Table 7-1). The INT* pin will be allowed to return high (if no other interrupts are present) when the user reads the alarm bit that caused the interrupt to occur even if the alarm is still present.

The event caused interrupts will force the INT* pin low when the event occurs. The INT* pin will be allowed to return high (if no other interrupts are present) when the user reads the event bit that caused the interrupt to occur.

ISR: INTERRUPT STATUS REGISTER (Any address from A0H to FFH)

(MSB)								(LSB)
F3HDLC	F3SR	F2HDLC	F2SR	F1HDLC	F1SR	F0HDLC	F0SR	

SYMBOL	POSITION	NAME AND DESCRIPTION
F3HDLC	ISR.7	FRAMER 3 HDLC CONTROLLER INTERRUPT REQUEST. 0 = No interrupt request pending. 1 = Interrupt request pending.
F3SR	ISR.6	FRAMER 3 SR1 or SR2 INTERRUPT REQUEST. 0 = No interrupt request pending. 1 = Interrupt request pending.
F2HDLC	ISR.5	FRAMER 2 HDLC CONTROLLER INTERRUPT REQUEST. 0 = No interrupt request pending. 1 = Interrupt request pending.

SYMBOL	POSITION	NAME AND DESCRIPTION
F2SR	ISR.4	FRAMER 2 SR1 or SR2 INTERRUPT REQUEST. 0 = No interrupt request pending. 1 = Interrupt request pending.
F1HDLC	ISR.3	FRAMER 1 HDLC CONTROLLER INTERRUPT REQUEST. 0 = No interrupt request pending. 1 = Interrupt request pending.
F1SR	ISR.2	FRAMER 1 SR1 or SR2 INTERRUPT REQUEST. 0 = No interrupt request pending. 1 = Interrupt request pending.
F0HDLC	ISR.1	FRAMER 0 HDLC CONTROLLER INTERRUPT REQUEST. 0 = No interrupt request pending. 1 = Interrupt request pending.
F0SR ISR	0	FRAMER 0 SR1 or SR2 INTERRUPT REQUEST. 0 = No interrupt request pending. 1 = Interrupt request pending.

RIR1: RECEIVE INFORMATION REGISTER 1 (Address=22 Hex)

(MSB)				(LSB)			
COFA	8ZD	16ZD	RESF	RESE	SEFE	B8ZS	FBE
SYMBOL	POSITION	NAME AND DESCRIPTION					
COFA	RIR1.7	Change of Frame Alignment. Set when the last resync resulted in a change of frame or multiframe alignment.					
8ZD	RIR1.6	Eight Zero Detect. Set when a string of at least eight consecutive zeros (regardless of the length of the string) have been received at RPOS and RNEG.					
16ZD	RIR1.5	Sixteen Zero Detect. Set when a string of at least sixteen consecutive zeros (regardless of the length of the string) have been received at RPOS and RNEG.					
RESF	RIR1.4	Receive Elastic Store Full. Set when the receive elastic store buffer fills and a frame is deleted.					
RESE	RIR1.3	Receive Elastic Store Empty. Set when the receive elastic store buffer empties and a frame is repeated.					
SEFE	RIR1.2	Severely Errored Framing Event. Set when 2 out of 6 framing bits (Ft or FPS) are received in error.					
B8ZS	RIR1.1	B8ZS Code Word Detect. Set when a B8ZS code word is detected at RPOS and RNEG independent of whether the B8ZS mode is selected or not via CCR2.6. Useful for automatically setting the line coding.					
FBE	RIR1.0	Frame Bit Error. Set when a Ft (D4) or FPS (ESF) framing bit is received in error.					

RIR2: RECEIVE INFORMATION REGISTER 2 (Address=31 Hex)

(MSB)				(LSB)			
RLOSC	RCLC	TESF	TESE	TSLIP	RBLC	RPDV	TPDV

SYMBOL	POSITION	NAME AND DESCRIPTION
RLOSC	RIR2.7	Receive Loss of Sync Clear. Set when the framer achieves synchronization; will remain set until read.
RCLC	RIR2.6	Receive Carrier Loss Clear. Set when the carrier signal is restored; will remain set until read. See Table 7-1.
TESF	RIR2.5	Transmit Elastic Store Full. Set when the transmit elastic store buffer fills and a frame is deleted.
TESE	RIR2.4	Transmit Elastic Store Empty. Set when the transmit elastic store buffer empties and a frame is repeated.
TSLIP	RIR2.3	Transmit Elastic Store Slip Occurrence. Set when the transmit elastic store has either repeated or deleted a frame.
RBLC	RIR2.2	Receive Blue Alarm Clear. Set when the Blue Alarm (AIS) is no longer detected; will remain set until read. See Table 7-1.
RPDV	RIR2.1	Receive Pulse Density Violation. Set when the receive data stream does not meet the ANSI T1.403 requirements for pulse density.
TPDV	RIR2.0	Transmit Pulse Density Violation. Set when the transmit data stream does not meet the ANSI T1.403 requirements for pulse density.

RIR3: RECEIVE INFORMATION REGISTER 3 (Address=10 Hex)

(MSB)				(LSB)			
-	-	-	LORC	-	-	-	RAIS-CI

SYMBOL	POSITION	NAME AND DESCRIPTION
-	RIR3.7	Not Assigned. Could be any value when read.
-	RIR3.6	Not Assigned. Could be any value when read.
-	RIR3.5	Not Assigned. Could be any value when read.
LORC	RIR3.4	Loss of Receive Clock. Set when the RCLK pin has not transitioned for at least 2 us (3 us \sim 1 us).
-	RIR3.3	Not Assigned. Could be any value when read.
-	RIR3.2	Not Assigned. Could be any value when read.
-	RIR3.1	Not Assigned. Could be any value when read.
RAIS-CI	RIR3.0	Receive AIS-CI Detect. Set when the AIS-CI pattern is detected.

SR1: STATUS REGISTER 1 (Address=20 Hex)

(MSB)				(LSB)			
LUP	LDN	LOTG	RSLIP	RBL	RYEL	RCL	RLOS

SYMBOL	POSITION	NAME AND DESCRIPTION
LUP	SR1.7	Loop Up Code Detected. Set when the loop up code as defined in the RUPCD register is being received. See Section 16 for details.
LDN	SR1.6	Loop Down Code Detected. Set when the loop down code as defined in the RDNCD register is being received. See Section 16 for details.
LOTG	SR1.5	Loss of Transmit Clock. Set when the TCLK pin has not transitioned for one channel time (or 5.2 us). Will force the RLOS/LOTG pin high if enabled via CCR3.5. Also will force transmit side formatter to switch to RCLK if so enabled via TCR1.7.
RSLIP	SR1.4	Receive Elastic Store Slip Occurrence. Set when the receive elastic store has either repeated or deleted a frame.
RBL	SR1.3	Receive Blue Alarm. Set when an unframed all one's code is received at RPOS and RNEG.
RYEL	SR1.2	Receive Yellow Alarm. Set when a yellow alarm is received at RPOS and RNEG.
RCL	SR1.1	Receive Carrier Loss. Set when a red alarm is received at RPOS and RNEG.
RLOS	SR1.0	Receive Loss of Sync. Set when the device is not synchronized to the receive T1 stream.

ALARM CRITERIA Table 7-1

ALARM	SET CRITERIA	CLEAR CRITERIA
Blue Alarm (AIS) (see note 1 below)	when over a 3 ms window, 5 or less zeros are received	when over a 3 ms window, 6 or more zeros are received
Yellow Alarm (RAI) 1. D4 bit 2 mode(RCR2.2=0) 2. D4 12th F-bit mode (RCR2.2=1; this mode is also referred to as the “Japanese Yellow Alarm”) 3. ESF mode	when bit 2 of 256 consecutive channels is set to zero for at least 254 occurrences when the 12th framing bit is set to one for two consecutive occurrences when 16 consecutive patterns of 00FF appear in the FDL	when bit 2 of 256 consecutive channels is set to zero for less than 254 occurrences when the 12th framing bit is set to zero for two consecutive occurrences when 14 or less patterns of 00FF hex out of 16 possible appear in the FDL
Red Alarm (RCL) (this alarm is also referred to as Loss Of Signal)	when 192 consecutive zeros are received	when 14 or more ones out of 112 possible bit positions are received starting with the first one received

Notes:

- The definition of Blue Alarm (or Alarm Indication Signal) is an unframed all ones signal. Blue alarm detectors should be able to operate properly in the presence of a 10⁻³ error rate and they should not falsely trigger on a framed all ones signal. The blue alarm criteria in the DS21Q42 has been set to achieve this performance. It is recommended that the RBL bit be qualified with the RLOS bit.
- ANSI specifications use a different nomenclature than the DS21Q42 does; the following terms are equivalent:

RBL = AIS
RCL = LOS
RLOS = LOF
RYEL = RAI

SR2: STATUS REGISTER 2 (Address=21 Hex)

(MSB)								(LSB)
RMF	TMF	SEC	RFDL	TFDL	RMTCH	RAF	RSC	

SYMBOL	POSITION	NAME AND DESCRIPTION
RMF	SR2.7	Receive Multiframe. Set on receive multiframe boundaries.
TMF	SR2.6	Transmit Multiframe. Set on transmit multiframe boundaries.
SEC	SR2.5	One Second Timer. Set on increments of one second based on RCLK; will be set in increments of 999 ms, 999 ms, and 1002 ms every 3 seconds.
RFDL	SR2.4	Receive FDL Buffer Full. Set when the receive FDL buffer (RFDL) fills to capacity (8 bits).
TFDL	SR2.3	Transmit FDL Buffer Empty. Set when the transmit FDL buffer (TFDL) empties.
RMTCH	SR2.2	Receive FDL Match Occurrence. Set when the RFDL matches either RMTCH1 or RMTCH2.
RAF	SR2.1	Receive FDL Abort. Set when eight consecutive one's are received in the FDL.
RSC	SR2.0	Receive Signaling Change. Set when the DS21Q42 detects a change of state in any of the robbed-bit signaling bits.

IMR1: INTERRUPT MASK REGISTER 1 (Address=7F Hex)

(MSB)	(LSB)						(LSB)
LUP	LDN	LOTG	SLIP	RBL	RYEL	RCL	RLOS

SYMBOL	POSITION	NAME AND DESCRIPTION
LUP	IMR1.7	Loop Up Code Detected. 0 = interrupt masked 1 = interrupt enabled
LDN	IMR1.6	Loop Down Code Detected. 0 = interrupt masked 1 = interrupt enabled
LOTG	IMR1.5	Loss of Transmit Clock. 0 = interrupt masked 1 = interrupt enabled
SLIP	IMR1.4	Elastic Store Slip Occurrence. 0 = interrupt masked 1 = interrupt enabled
RBL	IMR1.3	Receive Blue Alarm. 0 = interrupt masked 1 = interrupt enabled
RYE	IMR1.2	Receive Yellow Alarm. 0 = interrupt masked 1 = interrupt enabled

SYMBOL	POSITION	NAME AND DESCRIPTION
RCL	IMR1.1	Receive Carrier Loss. 0 = interrupt masked 1 = interrupt enabled
RLOS	IMR1.0	Receive Loss of Sync. 0 = interrupt masked 1 = interrupt enabled

IMR2: INTERRUPT MASK REGISTER 2 (Address=6F Hex)

(MSB)	(LSB)						(LSB)
RMF	TMF	SEC	RFDL	TFDL	RMTCH	RAF	RSC

SYMBOL	POSITION	NAME AND DESCRIPTION
RMF	IMR2.7	Receive Multiframe. 0 = interrupt masked 1 = interrupt enabled
TMF	IMR2.6	Transmit Multiframe. 0 = interrupt masked 1 = interrupt enabled
SEC	IMR2.5	One Second Timer. 0 = interrupt masked 1 = interrupt enabled
RFDL	IMR2.4	Receive FDL Buffer Full. 0 = interrupt masked 1 = interrupt enabled
TFDL	IMR2.3	Transmit FDL Buffer Empty. 0 = interrupt masked 1 = interrupt enabled
RMTCH	IMR2.2	Receive FDL Match Occurrence. 0 = interrupt masked 1 = interrupt enabled
RAF	IMR2.1	Receive FDL Abort. 0 = interrupt masked 1 = interrupt enabled
RSC	IMR2.0	Receive Signaling Change. 0 = interrupt masked 1 = interrupt enabled

8. ERROR COUNT REGISTERS

There are a set of three counters in each framer that record bipolar violations, excessive zeros, errors in the CRC6 code words, framing bit errors, and number of multiframes that the device is out of receive synchronization. Each of these three counters are automatically updated on either one second boundaries (CCR3.2=0) or every 42 ms (CCR3.2=1) as determined by the timer in Status Register 2 (SR2.5). Hence, these registers contain performance data from either the previous second or the previous 42 ms. The user can use the interrupt from the one second timer to determine when to read these registers. The user has a full second (or 42 ms) to read the counters before the data is lost. All three counters will saturate at their respective maximum counts and they will not rollover (note: only the Line Code Violation Count Register has the potential to overflow but the bit error would have to exceed 10^{-2} before this would occur).

Line Code Violation Count Register (LCVCR)

Line Code Violation Count Register 1 (LCVCR1) is the most significant word and LCVCR2 is the least significant word of a 16-bit counter that records code violations (CVs). CVs are defined as Bipolar Violations (BPVs) or excessive zeros. See Table 8-1 for details of exactly what the LCVCRs count. If the B8ZS mode is set for the receive side via CCR2.2, then B8ZS code words are not counted. This counter is always enabled; it is not disabled during receive loss of synchronization (RLOS=1) conditions.

LCVCR1: LINE CODE VIOLATION COUNT REGISTER 1 (Address = 23 Hex)

LCVCR2: LINE CODE VIOLATION COUNT REGISTER 2 (Address = 24 Hex)

(MSB)							(LSB)	
LCV15	LCV14	LCV13	LCV12	LCV11	LCV10	LCV9	LCV8	LCVCR1
LCV7	LCV6	LCV5	LCV4	LCV3	LCV2	LCV1	LCV0	LCVCR2

SYMBOL	POSITION	NAME AND DESCRIPTION
LCV15	LCVCR1.7	MSB of the 16-bit code violation count
LCV0	LCVCR2.0	LSB of the 16-bit code violation count

LINE CODE VIOLATION COUNTING ARRANGEMENTS Table 8-1

COUNT EXCESSIVE ZEROS? (RCR1.7)	B8ZS ENABLED? (CCR2.2)	WHAT IS COUNTED IN THE LCVCRs
no	no	BPVs
yes	no	BPVs + 16 consecutive zeros
no	yes	BPVs (B8ZS code words not counted)
yes	yes	BPV's + 8 consecutive zeros

Path Code Violation Count Register

(PCVCR) When the receive side of a framer is set to operate in the ESF framing mode (CCR2.3=1), PCVCR will automatically be set as a 12-bit counter that will record errors in the CRC6 code words. When set to operate in the D4 framing mode (CCR2.3=0), PCVCR will automatically count errors in the Ft framing bit position. Via the RCR2.1 bit, a framer can be programmed to also report errors in the Fs framing bit position. The PCVCR will be disabled during receive loss of synchronization (RLOS=1) conditions. See Table 8-2 for a detailed description of exactly what errors the PCVCR counts.

PCVCR1: PATH VIOLATION COUNT REGISTER 1 (Address = 25 Hex)

PCVCR2: PATH VIOLATION COUNT REGISTER 2 (Address = 26 Hex)

(MSB)				(LSB)				
(note 1)	(note 1)	(note 1)	(note 1)	CRC/ FB11	CRC/ FB10	CRC/ FB9	CRC/ FB8	PCVCR1
CRC/ FB7	CRC/ FB6	CRC/ FB5	CRC/ FB4	CRC/ FB3	CRC/ FB2	CRC/ FB1	CRC/ FB0	PCVCR2

SYMBOL	POSITION	NAME AND DESCRIPTION
CRC/FB11	PCVCR1.3	MSB of the 12-Bit CRC6 Error or Frame Bit Error Count (note#2)
CRC/FB0	PCVCR2.0	LSB of the 12-Bit CRC6 Error or Frame Bit Error Count (note#2)

Notes:

1. The upper nibble of the counter at address 25 is used by the Multiframe Out of Sync Count Register
2. PCVCR counts either errors in CRC code words (in the ESF framing mode; CCR2.3=1) or errors in the framing bit position (in the D4 framing mode; CCR2.3=0).

PATH CODE VIOLATION COUNTING ARRANGEMENTS Table 8-2

FRAMING MODE (CCR2.3)	COUNT Fs ERRORS? (RCR2.1)	WHAT IS COUNTED IN THE PCVCRs
D4	no	errors in the Ft pattern
D4	yes	errors in both the Ft & Fs patterns
ESF	don't care	errors in the CRC6 code words

MULTIFRAMES OUT OF SYNC COUNT REGISTER (MOSCR)

Normally the MOSCR is used to count the number of multiframes that the receive synchronizer is out of sync (RCR2.0=1). This number is useful in ESF applications needing to measure the parameters Loss Of Frame Count (LOFC) and ESF Error Events as described in AT&T publication TR54016. When the MOSCR is operated in this mode, it is not disabled during receive loss of synchronization (RLOS=1) conditions. The MOSCR has alternate operating mode whereby it will count either errors in the Ft framing pattern (in the D4 mode) or errors in the FPS framing pattern (in the ESF mode). When the MOSCR is operated in this mode, it is disabled during receive loss of synchronization (RLOS = 1) conditions.

See Table 8-3 for a detailed description of what the MOSCR is capable of counting.

MOSCR1: MULTIFRAMES OUT OF SYNC COUNT REGISTER 1

(Address = 25 Hex)

MOSCR2: MULTIFRAMES OUT OF SYNC COUNT REGISTER 2

(Address = 27 Hex)

(MSB)				(LSB)				
MOS/ FB11	MOS/ FB10	MOS/ FB9	MOS/ FB8	(note 1)	(note 1)	(note 1)	(note 1)	MOSCR 1
MOS/ FB7	MOS/ FB6	MOS/ FB5	MOS/ FB4	MOS/ FB3	MOS/ FB2	MOS/ FB1	MOS/ FB0	MOSCR 2

SYMBOL	POSITION	NAME AND DESCRIPTION
MOS/FB11	MOSCR1.7	MSB of the 12–Bit Multiframes Out of Sync or F–Bit Error Count (note #2)
MOS/FB0	MOSCR2.0	LSB of the 12–Bit Multiframes Out of Sync or F–Bit Error Count (note #2)

Notes:

1. The lower nibble of the counter at address 25 is used by the Path Code Violation Count Register
2. MOSCR counts either errors in framing bit position (RCR2.0=0) or the number of multiframes out of sync (RCR2.0=1)

MULTIFRAMES OUT OF SYNC COUNTING ARRANGEMENTS Table 8-3

FRAMING MODE (CCR2.3)	COUNT MOS OR F-BIT ERRORS (RCR2.0)	WHAT IS COUNTED IN THE MOSCRs
D4	MOS	number of multiframes out of sync
D4	F-Bit	errors in the Ft pattern
ESF	MOS	number of multiframes out of sync
ESF	F-Bit	errors in the FPS pattern

9. DS0 MONITORING FUNCTION

Each framer in the DS21Q42 has the ability to monitor one DS0 64 Kbps channel in the transmit direction and one DS0 channel in the receive direction at the same time. In the transmit direction the user will determine which channel is to be monitored by properly setting the TCM0 to TCM4 bits in the CCR5 register. In the receive direction, the RCM0 to RCM4 bits in the CCR6 register need to be properly set. The DS0 channel pointed to by the TCM0 to TCM4 bits will appear in the Transmit DS0 Monitor (TDS0M) register and the DS0 channel pointed to by the RCM0 to RCM4 bits will appear in the Receive DS0 (RDS0M) register. The TCM4 to TCM0 and RCM4 to RCM0 bits should be programmed with the decimal decode of the appropriate T1 channel. For example, if DS0 channel 6 (timeslot 5) in the transmit direction and DS0 channel 15 (timeslot 14) in the receive direction needed to be monitored, then the following values would be programmed into CCR5 and CCR6:

TCM4 = 0 RCM4 = 0
TCM3 = 0 RCM3 = 1
TCM2 = 1 RCM2 = 1
TCM1 = 0 RCM1 = 1
TCM0 = 1 RCM0 = 0

CCR5: COMMON CONTROL REGISTER 5 (Address=19 Hex)

[repeated here from section 6 for convenience]

(MSB)				(LSB)			
TJC	–	–	TCM4	TCM3	TCM2	TCM1	TCM0

SYMBOL	POSITION	NAME AND DESCRIPTION
TJC	CCR5.7	Transmit Japanese CRC Enable. See Section 6 for details.
–	CCR5.5	Not Assigned. Must be set to zero when written.
–	CCR5.5	Not Assigned. Must be set to zero when written.
TCM4	CCR5.4	Transmit Channel Monitor Bit 4. MSB of a channel decode that determines which transmit DS0 channel data will appear in the TDS0M register.
TCM3	CCR5.3	Transmit Channel Monitor Bit 3.
TCM2	CCR5.2	Transmit Channel Monitor Bit 2.
TCM1	CCR5.1	Transmit Channel Monitor Bit 1.
TCM0	CCR5.0	Transmit Channel Monitor Bit 0. LSB of the channel decode that determines which transmit DS0 channel data will appear in the TDS0M register.

TDS0M: TRANSMIT DS0 MONITOR REGISTER (Address=1A Hex)

(MSB)							(LSB)
B1	B2	B3	B4	B5	B6	B7	B8

SYMBOL	POSITION	NAME AND DESCRIPTION
B1	TDS0M.7	Transmit DS0 Channel Bit 1. MSB of the DS0 channel (first bit to be transmitted).
B2	TDS0M.6	Transmit DS0 Channel Bit 2.
B3	TDS0M.5	Transmit DS0 Channel Bit 3.
B4	TDS0M.4	Transmit DS0 Channel Bit 4.
B5	TDS0M.3	Transmit DS0 Channel Bit 5.
B6	TDS0M.2	Transmit DS0 Channel Bit 6.
B7	TDS0M.1	Transmit DS0 Channel Bit 7.
B8	TDS0M.0	Transmit DS0 Channel Bit 8. LSB of the DS0 channel (last bit to be transmitted).

CCR6: COMMON CONTROL REGISTER 6 (Address=1E Hex)

[repeated here from section 6 for convenience]

(MSB)							(LSB)
RJC	RESALGN	TESALGN	RCM4	RCM3	RCM2	RCM1	RCM0

SYMBOL	POSITION	NAME AND DESCRIPTION
RJC	CCR6.7	Receive Japanese CRC6 Enable. 0 = use ANSI/AT&T/ITU CRC6 calculation (normal operation) 1 = use Japanese standard JT-G704 CRC6 calculation
RESALGN	CCR6.6	Receive Elastic Store Align. Setting this bit from a zero to a one will force the receive elastic store's write/read pointers to a minimum separation of half a frame. If pointer separation is already greater than half a frame, setting this bit will have no effect. Should be toggled after RSYCLK has been applied and is stable. Must be cleared and set again for a subsequent align. See Section 13 for details.
TESALGN	CCR6.5	Transmit Elastic Store Align. Setting this bit from a zero to a one will force the transmit elastic store's write/read pointers to a minimum separation of half a frame. If pointer separation is already greater than half a frame, setting this bit will have no effect. Should be toggled after TSYCLK has been applied and is stable. Must be cleared and set again for a subsequent align. See Section 13 for details.
RCM4	CCR6.4	Receive Channel Monitor Bit 4. MSB of a channel decode that determines which receive channel data will appear in the RDS0M register. See Section 9 for details.

SYMBOL	POSITION	NAME AND DESCRIPTION
RCM3	CCR6.3	Receive Channel Monitor Bit 3.
RCM2	CCR6.2	Receive Channel Monitor Bit 2.
RCM1	CCR6.1	Receive Channel Monitor Bit 1.
RCM0	CCR6.0	Receive Channel Monitor Bit 0. LSB of the channel decode.

RDS0M: RECEIVE DS0 MONITOR REGISTER (Address=1F Hex)

(MSB)				(LSB)			
B1	B2	B3	B4	B5	B6	B7	B8

SYMBOL	POSITION	NAME AND DESCRIPTION
B1	RDS0M.7	Receive DS0 Channel Bit 1. MSB of the DS0 channel (first bit to be received).
B2	RDS0M.6	Receive DS0 Channel Bit 2.
B3	RDS0M.5	Receive DS0 Channel Bit 3.
B4	RDS0M.4	Receive DS0 Channel Bit 4.
B5	RDS0M.3	Receive DS0 Channel Bit 5.
B6	RDS0M.2	Receive DS0 Channel Bit 6.
B7	RDS0M.1	Receive DS0 Channel Bit 7.
B8	RDS0M.0	Receive DS0 Channel Bit 8. LSB of the DS0 channel (last bit to be received).

10. SIGNALING OPERATION

Each framer in the DS21Q42 contains provisions for both processor based (i.e., software based) signaling bit access and for hardware based access. Both the processor based access and the hardware based access can be used simultaneously if necessary. The processor based signaling is covered in Section 10.1 and the hardware based signaling is covered in Section 10.2.

10.1 PROCESSOR BASED SIGNALING

The robbed-bit signaling bits embedded in the T1 stream can be extracted from the receive stream and inserted into the transmit stream by each framer. There is a set of 12 registers for the receive side (RS1 to RS12) and 12 registers on the transmit side (TS1 to TS12). The signaling registers are detailed below. The CCR1.5 bit is used to control the robbed signaling bits as they appear at RSER. If CCR1.5 is set to zero, then the robbed signaling bits will appear at the RSER pin in their proper position as they are received. If CCR1.5 is set to a one, then the robbed signaling bit positions will be forced to a one at RSER. If hardware based signaling is being used, then CCR1.5 must be set to zero.

RS1 TO RS12: RECEIVE SIGNALING REGISTERS (Address=60 to 6B Hex)

(MSB)				(LSB)				
A(8)	A(7)	A(6)	A(5)	A(4)	A(3)	A(2)	A(1)	RS1 (60)
A(16)	A(15)	A(14)	A(13)	A(12)	A(11)	A(10)	A(9)	RS2 (61)
A(24)	A(23)	A(22)	A(21)	A(20)	A(19)	A(18)	A(17)	RS3 (62)
B(8)	B(7)	B(6)	B(5)	B(4)	B(3)	B(2)	B(1)	RS4 (63)
B(16)	B(15)	B(14)	B(13)	B(12)	B(11)	B(10)	B(9)	RS5 (64)
B(24)	B(23)	B(22)	B(21)	B(20)	B(19)	B(18)	B(17)	RS6 (65)
A/C(8)	A/C(7)	A/C(6)	A/C(5)	A/C(4)	A/C(3)	A/C(2)	A/C(1)	RS7 (66)
A/C(16)	A/C(15)	A/C(14)	A/C(13)	A/C(12)	A/C(11)	A/C(10)	A/C(9)	RS8 (67)
A/C(24)	A/C(23)	A/C(22)	A/C(21)	A/C(20)	A/C(19)	A/C(18)	A/C(17)	RS9 (68)
B/D(8)	B/D(7)	B/D(6)	B/D(5)	B/D(4)	B/D(3)	B/D(2)	B/D(1)	RS10 (69)
B/D(16)	B/D(15)	B/D(14)	B/D(13)	B/D(12)	B/D(11)	B/D(10)	B/D(9)	RS11 (6A)
B/D(24)	B/D(23)	B/D(22)	B/D(21)	B/D(20)	B/D(19)	B/D(18)	B/D(17)	RS12 (6B)

SYMBOL	POSITION	NAME AND DESCRIPTION
D(24)	RS12.7	Signaling Bit D in Channel 24
A(1)	RS1.0	Signaling Bit A in Channel 1

Each Receive Signaling Register (RS1 to RS12) reports the incoming robbed bit signaling from eight DS0 channels. In the ESF framing mode, there can be up to four signaling bits per channel (A, B, C, and D). In the D4 framing mode, there are only two signaling bits per channel (A and B). In the D4 framing mode, the framer will replace the C and D signaling bit positions with the A and B signaling bits from the previous multiframe. Hence, whether the framer is operated in either framing mode, the user needs only to retrieve the signaling bits every 3 ms. The bits in the Receive Signaling Registers are updated on multiframe boundaries so the user can utilize the Receive Multiframe Interrupt in the Receive Status Register 2 (SR2.7) to know when to retrieve the signaling bits. The Receive Signaling Registers are frozen and not updated during a loss of sync condition (SR1.0=1). They will contain the most recent signaling information before the “OOF” occurred. The signaling data reported in RS1 to RS12 is also available at the RSIG and RSER pins.

A change in the signaling bits from one multiframe to the next will cause the RSC status bit (SR2.0) to be set. The user can enable the INT* pin to toggle low upon detection of a change in signaling by setting the IMR2.0 bit. Once a signaling change has been detected, the user has at least 2.75 ms to read the data out of the RS1 to RS12 registers before the data will be lost.

TS1 TO TS12: TRANSMIT SIGNALING REGISTERS (Address=70 to 7B Hex)

(MSB)				(LSB)				
A(8)	A(7)	A(6)	A(5)	A(4)	A(3)	A(2)	A(1)	TS1 (70)
A(16)	A(15)	A(14)	A(13)	A(12)	A(11)	A(10)	A(9)	TS2 (71)
A(24)	A(23)	A(22)	A(21)	A(20)	A(19)	A(18)	A(17)	TS3 (72)
B(8)	B(7)	B(6)	B(5)	B(4)	B(3)	B(2)	B(1)	TS4 (73)
B(16)	B(15)	B(14)	B(13)	B(12)	B(11)	B(10)	B(9)	TS5 (74)
B(24)	B(23)	B(22)	B(21)	B(20)	B(19)	B(18)	B(17)	TS7 (75)
A/C(8)	A/C(7)	A/C(6)	A/C(5)	A/C(4)	A/C(3)	A/C(2)	A/C(1)	TS7 (76)
A/C(16)	A/C(15)	A/C(14)	A/C(13)	A/C(12)	A/C(11)	A/C(10)	A/C(9)	TS8 (77)
A/C(24)	A/C(23)	A/C(22)	A/C(21)	A/C(20)	A/C(19)	A/C(18)	A/C(17)	TS9 (78)
B/D(8)	B/D(7)	B/D(6)	B/D(5)	B/D(4)	B/D(3)	B/D(2)	B/D(1)	TS10 (79)
B/D(16)	B/D(15)	B/D(14)	B/D(13)	B/D(12)	B/D(11)	B/D(10)	B/D(9)	TS11 (7A)
B/D(24)	B/D(23)	B/D(22)	B/D(21)	B/D(20)	B/D(19)	B/D(18)	B/D(17)	TS12 (7B)

SYMBOL	POSITION	NAME AND DESCRIPTION
D(24)	TS12.7	Signaling Bit D in Channel 24
A(1)	TS1.0	Signaling Bit A in Channel 1

Each Transmit Signaling Register (TS1 to TS12) contains the Robbed Bit signaling for eight DS0 channels that will be inserted into the outgoing stream if enabled to do so via TCR1.4. In the ESF framing mode, there can be up to four signaling bits per channel (A, B, C, and D). On multiframe boundaries, the framer will load the values present in the Transmit Signaling Register into an outgoing signaling shift register that is internal to the device. The user can utilize the Transmit Multiframe Interrupt in Status Register 2 (SR2.6) to know when to update the signaling bits. In the ESF framing mode, the interrupt will come every 3 ms and the user has a full 3ms to update the TSRs. In the D4 framing mode, there are only two signaling bits per channel (A and B). However in the D4 framing mode, the framer uses the C and D bit positions as the A and B bit positions for the next multiframe. The framer will load the values in the TSRs into the outgoing shift register every other D4 multiframe.

10.2 HARDWARE BASED SIGNALING

Receive Side

In the receive side of the hardware based signaling, there are two operating modes for the signaling buffer; signaling extraction and signaling re-insertion. Signaling extraction involves pulling the signaling bits from the receive data stream and buffering them over a four multiframe buffer and outputting them in a serial PCM fashion on a channel-by-channel basis at the RSIG output. This mode is always enabled. In this mode, the receive elastic store may be enabled or disabled. If the receive elastic store is enabled, then the backplane clock (RSYSCLK) can be either 1.544 MHz or 2.048 MHz. In the ESF framing mode, the ABCD signaling bits are output on RSIG in the lower nibble of each channel. The RSIG data is updated once a multiframe (3 ms) unless a freeze is in effect. In the D4 framing mode, the AB signaling bits are output twice on RSIG in the lower nibble of each channel. Hence, bits 5 and 6 contain the same data as bits 7 and 8 respectively in each channel. The RSIG data is updated once a multiframe (1.5 ms) unless a freeze is in effect. See the timing diagrams in Section 20 for some examples.

The other hardware based signaling operating mode called signaling re-insertion can be invoked by setting the RSRE control bit high (CCR4.7=1). In this mode, the user will provide a multiframe sync at the RSYNC pin and the signaling data will be re-aligned at the RSER output according to this applied multiframe boundary. In this mode, the elastic store must be enabled however the backplane clock can be either 1.544 MHz or 2.048 MHz.

If the signaling re-insertion mode is enabled, the user can control which channels have signaling re-insertion performed on a channel-by-channel basis by setting the RPCSI control bit high (CCR4.6) and then programming the RCHBLK output pin to go high in the channels in which the signaling re-insertion should not occur. If the RPCSI bit is set low, then signaling re-insertion will occur in all channels when the signaling re-insertion mode is enabled (RSRE=1). How to control the operation of the RCHBLK output pin is covered in Section 12.

In both hardware based signaling operating modes, the user has the option to replace all of the extracted robbed-bit signaling bit positions with ones. This option is enabled via the RFSA1 control bit (CCR4.5) and it can be invoked on a per-channel basis by setting the RPCSI control bit (CCR4.6) high and then programming RCHBLK appropriately just like the per-channel signaling re-insertion operates.

The signaling data in the four multiframe buffer will be frozen in a known good state upon either a loss of synchronization (OOF event), carrier loss, or frame slip. This action meets the requirements of BellCore TR-TSY-000170 for signaling freezing. To allow this freeze action to occur, the RFE control bit (CCR4.4) should be set high. The user can force a freeze by setting the RFF control bit (CCR4.3) high. The four multiframe buffer provides a three multiframe delay in the signaling bits provided at the RSIG pin (and at the RSER pin if RSRE=1). When freezing is enabled (RFE=1), the signaling data will be held in the last known good state until the corrupting error condition subsides. When the error condition subsides, the signaling data will be held in the old state for at least an additional 9 ms (or 4.5 ms in D4 framing mode) before being allowed to be updated with new signaling data.

Transmit Side

Via the THSE control bit (CCR4.2), the framer can be set up to take the signaling data presented at the TSIG pin and insert the signaling data into the PCM data stream that is being input at the TSER pin. The user has the ability to control which channels are to have signaling data from the TSIG pin inserted into them on a channel-by-channel basis by setting the TPCSI control bit (CCR4.1) high. When TPCSI is enabled, channels in which the TCHBLK output has been programmed to be set high in, will not have signaling data from the TSIG pin inserted into them. The hardware signaling insertion capabilities of the framer are available whether the transmit side elastic store is enabled or disabled. If the elastic store is enabled, the backplane clock (TSYSCLK) can be either 1.544 MHz or 2.048 MHz.

11. PER-CHANNEL CODE (IDLE) GENERATION AND LOOPBACK

Each framer in the DS21Q42 can replace data on a channel-by-channel basis in both the transmit and receive directions. The transmit direction is from the backplane to the T1 line and is covered in Section 11.1. The receive direction is from the T1 line to the backplane and is covered in Section 11.2.

11.1 TRANSMIT SIDE CODE GENERATION

In the transmit direction there are two methods by which channel data from the backplane can be overwritten with data generated by the framer. The first method which is covered in Section 11.1.1 was a feature contained in the original DS21Q41 while the second method which is covered in Section 11.1.2 is a new feature of the DS21Q42.

11.1.1 Simple Idle Code Insertion and Per-Channel Loopback

The first method involves using the Transmit Idle Registers (TIR1/2/3) to determine which of the 24 T1 channels should be overwritten with the code placed in the Transmit Idle Definition Register (TIDR). This method allows the same 8-bit code to be placed into any of the 24 T1 channels. If this method is used, then the CCR4.0 control bit must be set to zero.

Each of the bit position in the Transmit Idle Registers (TIR1/TIR2/TIR3) represent a DS0 channel in the outgoing frame. When these bits are set to a one, the corresponding channel will transmit the Idle Code contained in the Transmit Idle Definition Register (TIDR). Robbed bit signaling and Bit 7 stuffing will occur over the programmed Idle Code unless the DS0 channel is made transparent by the Transmit Transparency Registers.

The Transmit Idle Registers (TIRs) have an alternate function that allow them to define a Per-Channel LoopBack (PCLB). If the TIRFS control bit (CCR4.0) is set to one, then the TIRs will determine which channels (if any) from the backplane should be replaced with the data from the receive side or in other words, off of the T1 line. If this mode is enabled, then transmit and receive clocks and frame syncs must be synchronized. One method to accomplish this would be to tie RCLK to TCLK and RFSYNC to TSYNC.

TIR1/TIR2/TIR3: TRANSMIT IDLE REGISTERS (Address=3C to 3E Hex)

[Also used for Per-Channel Loopback]

(MSB)				(LSB)				
CH8	CH7	CH6	CH5	CH4	CH3	CH2	CH1	TIR1 (3C)
CH16	CH15	CH14	CH13	CH12	CH11	CH10	CH9	TIR2 (3D)
CH24	CH23	CH22	CH21	CH20	CH19	CH18	CH17	TIR3 (3E)

SYMBOLS POSITIONS NAME AND DESCRIPTION

CH1 – 24	TIR1.0 - 3.7	Transmit Idle Code Insertion Control Bits. 0 = do not insert the Idle Code in the TIDR into this channel 1 = insert the Idle Code in the TIDR into this channel
----------	--------------	--

Note:

If CCR4.0=1, then a zero in the TIRs implies that channel data is to be sourced from TSER and a one implies that channel data is to be sourced from the output of the receive side framer (i.e., Per-Channel Loopback; see Figure 1-1).

TIDR: TRANSMIT IDLE DEFINITION REGISTER (Address=3F Hex)

(MSB)							(LSB)
TIDR7	TIDR6	TIDR5	TIDR4	TIDR3	TIDR2	TIDR1	TIDR0

SYMBOL	POSITION	NAME AND DESCRIPTION
TIDR7	TIDR.7	MSB of the Idle Code (this bit is transmitted first)
TIDR0	TIDR.0	LSB of the Idle Code (this bit is transmitted last)

11.1.2 Per-Channel Code Insertion

The second method involves using the Transmit Channel Control Registers (TCC1/2/3) to determine which of the 24 T1 channels should be overwritten with the code placed in the Transmit Channel Registers (TC1 to TC24). This method is more flexible than the first in that it allows a different 8-bit code to be placed into each of the 24 T1 channels.

TC1 TO TC24: TRANSMIT CHANNEL REGISTERS

(Address=40 to 4F and 50 to 57 Hex)

(for brevity, only channel one is shown; see Table 4-1 for other register address)

(MSB)							(LSB)	
C7	C6	C5	C4	C3	C2	C1	C0	TC1 (50)

SYMBOL	POSITION	NAME AND DESCRIPTION
C7	TC1.7	MSB of the Code (this bit is transmitted first)
C0	TC1.0	LSB of the Code (this bit is transmitted last)

TCC1/TCC2/TCC3: TRANSMIT CHANNEL CONTROL REGISTER

(Address=16 to 18 Hex)

(MSB)							(LSB)	
CH8	CH7	CH6	CH5	CH4	CH3	CH2	CH1	TCC1 (16)
CH16	CH15	CH14	CH13	CH12	CH11	CH10	CH9	TCC2 (17)
CH24	CH23	CH22	CH21	CH20	CH19	CH18	CH17	TCC3 (18)

SYMBOL	POSITION	NAME AND DESCRIPTION
CH1 – 24	TCC1.0 - 3.7	Transmit Code Insertion Control Bits 0 = do not insert data from the TC register into the transmit data stream 1 = insert data from the TC register into the transmit data stream

11.2 RECEIVE SIDE CODE GENERATION

In the receive direction there are also two methods by which channel data to the backplane can be overwritten with data generated by the framer. The first method which is covered in Section 11.2.1 was a feature contained in the original DS21Q41 while the second method which is covered in Section 11.2.2 is a new feature of the DS21Q42.

11.2.1 Simple Code Insertion

The first method on the receive side involves using the Receive Mark Registers (RMR1/2/3) to determine which of the 24 T1 channels should be overwritten with either a 7Fh idle code or with a digital milliwatt pattern. The RCR2.7 bit will determine which code is used. The digital milliwatt code is an eight byte repeating pattern that represents a 1 KHz sine wave (1E/0B/0B/1E/9E/8B/8B/9E). Each bit in the RMRs, represents a particular channel. If a bit is set to a one, then the receive data in that channel will be replaced with one of the two codes. If a bit is set to zero, no replacement occurs.

RMR1/RMR2/RMR3: RECEIVE MARK REGISTERS**(Address=2D to 2F Hex)**

(MSB)							(LSB)	
CH8	CH7	CH6	CH5	CH4	CH3	CH2	CH1	RMR1 (2D)
CH16	CH15	CH14	CH13	CH12	CH11	CH10	CH9	RMR2 (2E)
CH24	CH23	CH22	CH21	CH20	CH19	CH18	CH17	RMR3 (2F)

SYMBOLS

CH1 – 24

POSITIONS

RMR1.0 - 3.7

NAME AND DESCRIPTION**Receive Channel Mark Control Bits**

0 = do not affect the receive data associated with this channel
 1 = replace the receive data associated with this channel with either the idle code or the digital milliwatt code (depends on the RCR2.7 bit)

11.2.2 Per-Channel Code Insertion

The second method involves using the Receive Channel Control Registers (RCC1/2/3) to determine which of the 24 T1 channels off of the T1 line and going to the backplane should be overwritten with the code placed in the Receive Channel Registers (RC1 to RC24). This method is more flexible than the first in that it allows a different 8-bit code to be placed into each of the 24 T1 channels.

RC1 TO RC24: RECEIVE CHANNEL REGISTERS**(Address=58 to 5F and 80 to 8F Hex)**

(for brevity, only channel one is shown; see Table 4-1 for other register address)

(MSB)							(LSB)	
C7	C6	C5	C4	C3	C2	C1	C0	RC1 (80)

SYMBOL

C7

C0

POSITION

RC1.7

RC1.0

NAME AND DESCRIPTION

MSB of the Code (this bit is sent first to the backplane)

LSB of the Code (this bit is sent last to the backplane)

RCC1/RCC2/RCC3: RECEIVE CHANNEL CONTROL REGISTER**(Address=1B to 1D Hex)**

(MSB)							(LSB)	
CH8	CH7	CH6	CH5	CH4	CH3	CH2	CH1	RCC1 (1B)
CH16	CH15	CH14	CH13	CH12	CH11	CH10	CH9	RCC2 (1C)
CH24	CH23	CH22	CH21	CH20	CH19	CH18	CH17	RCC3 (1D)

SYMBOL

CH1 – 24

POSITION

RCC1.0 - 3.7

NAME AND DESCRIPTION**Receive Code Insertion Control Bits**

0 = do not insert data from the RC register into the receive data stream

1 = insert data from the RC register into the receive data stream

12. CLOCK BLOCKING REGISTERS

The Receive Channel Blocking Registers (RCBR1/RCBR2/RCBR3) and the Transmit Channel Blocking Registers (TCBR1/TCBR2/TCBR3) control the RCHBLK and TCHBLK pins respectively. The RCHBLK and TCHCLK pins are user programmable outputs that can be forced either high or low during individual channels. These outputs can be used to block clocks to a USART or LAPD controller in Fractional T1 or ISDN-PRI applications. When the appropriate bits are set to a one, the RCHBLK and TCHCLK pins will be held high during the entire corresponding channel time. See the timing in Section 20 for an example.

RCBR1/RCBR2/RCBR3: RECEIVE CHANNEL BLOCKING REGISTERS (Address=6C to 6E Hex)

(MSB)				(LSB)				
CH8	CH7	CH6	CH5	CH4	CH3	CH2	CH1	RCBR1 (6C)
CH16	CH15	CH14	CH13	CH12	CH11	CH10	CH9	RCBR2 (6D)
CH24	CH23	CH22	CH21	CH20	CH19	CH18	CH17	RCBR3 (6E)

SYMBOLS	POSITIONS	NAME AND DESCRIPTION
CH1 – 24	RCBR1.0 - 3.7	Receive Channel Blocking Control Bits.
		0 = force the RCHBLK pin to remain low during this channel time
		1 = force the RCHBLK pin high during this channel time

TCBR1/TCBR2/TCBR3: TRANSMIT CHANNEL BLOCKING REGISTERS (Address=32 to 34 Hex)

(MSB)				(LSB)				
CH8	CH7	CH6	CH5	CH4	CH3	CH2	CH1	TCBR1 (32)
CH16	CH15	CH14	CH13	CH12	CH11	CH10	CH9	TCBR2 (33)
CH24	CH23	CH22	CH21	CH20	CH19	CH18	CH17	TCBR3 (34)

SYMBOLS	POSITIONS	NAME AND DESCRIPTION
CH1 – 24	TCBR1.0 - 3.7	Transmit Channel Blocking Control Bits.
		0 = force the TCHBLK pin to remain low during this channel time
		1 = force the TCHBLK pin high during this channel time

13. ELASTIC STORES OPERATION

Each framer in the DS21Q42 contains dual two-frame (386 bits) elastic stores, one for the receive direction, and one for the transmit direction. These elastic stores have two main purposes. First, they can be used to rate convert the T1 data stream to 2.048 Mbps (or a multiple of 2.048 Mbps) which is the E1 rate. Secondly, they can be used to absorb the differences in frequency and phase between the T1 data stream and an asynchronous (i.e., not frequency locked) backplane clock (which can be 1.544 MHz or 2.048 MHz). The backplane clock can burst at rates up to 8.192 MHz. Both elastic stores contain full controlled slip capability which is necessary for this second purpose. Both elastic stores within the framer are fully independent and no restrictions apply to the sourcing of the various clocks that are applied to them. The transmit side elastic store can be enabled whether the receive elastic store is enabled or disabled and vice versa. Also, each elastic store can interface to either a 1.544 MHz or 2.048 MHz backplane without regard to the backplane rate the other elastic store is interfacing.

Two mechanisms are available to the user for resetting the elastic stores. The Elastic Store Reset (TX - CCR7.4 & RX - CCR7.5) function forces the elastic stores to a depth of one frame unconditionally. Data is lost during the reset. The second method, the Elastic Store Align (TX - CCR6.5 & RX - CCR6.6) forces the elastic store depth to a minimum depth of half a frame only if the current pointer separation is already less than half a frame. If a realignment occurs data is lost. In both mechanisms, independent resets are provided for both the receive and transmit elastic stores.

13.1 RECEIVE SIDE

If the receive side elastic store is enabled (CCR1.2=1), then the user must provide either a 1.544 MHz (CCR1.3=0) or 2.048 MHz (CCR1.3=1) clock at the RSYCLK pin. The user has the option of either providing a frame/multiframe sync at the RSYNC pin (RCR2.3=1) or having the RSYNC pin provide a pulse on frame boundaries (RCR2.3=0). If the user wishes to obtain pulses at the frame boundary, then RCR2.4 must be set to zero and if the user wishes to have pulses occur at the multiframe boundary, then RCR2.4 must be set to one. The framer will always indicate frame boundaries via the RFSYNC output whether the elastic store is enabled or not. If the elastic store is enabled, then multiframe boundaries will be indicated via the RMSYNC output. If the user selects to apply a 2.048 MHz clock to the RSYCLK pin, then the data output at RSER will be forced to all ones every fourth channel. Hence channels 1 (except for the MSB), 5, 9, 13, 17, 21, 25, and 29 (timeslots 0, 4, 8, 12, 16, 20, 24, and 28) will be forced to a one. The F-bit will be passed in the MSB of channel 1. Also, in 2.048 MHz applications, the RCHBLK output will be forced high during the same channels as the RSER pin. See Section 19 for more details. This is useful in T1 to CEPT (E1) conversion applications. If the 386-bit elastic buffer either fills or empties, a controlled slip will occur. If the buffer empties, then a full frame of data (193 bits) will be repeated at RSER and the SR1.4 and RIR1.3 bits will be set to a one. If the buffer fills, then a full frame of data will be deleted and the SR1.4 and RIR1.4 bits will be set to a one.

13.2 TRANSMIT SIDE

The operation of the transmit elastic store is very similar to the receive side. The transmit side elastic store is enabled via CCR1.7. A 1.544 MHz (CCR1.4=0) or 2.048 MHz (CCR1.4=1) clock can be applied to the TSYCLK input. If the user selects to apply a 2.048 MHz clock to the TSYCLK pin, then the data input at TSER will be ignored every fourth channel. Hence channels 1 (except for the MSB), 5, 9, 13, 17, 21, 25, and 29 (timeslots 0, 4, 8, 12, 16, 20, 24, and 28) will be ignored. A special case exists for the MSB of channel 1. Via TCR1.6 the MSB of channel 1 can be sampled as the F-bit. The user must supply a 8 KHz frame sync pulse to the TSSYNC input. Also, in 2.048 MHz applications, the TCHBLK output will be forced high during the channels ignored by the framer. See Section 19 for more details. Controlled slips in the transmit elastic store are reported in the RIR2.3 bit and the direction of the slip is reported in the RIR2.5 and RIR2.4 bits.

13.3 MINIMUM DELAY SYNCHRONOUS RSYCLK/TSYCLK MODE

In applications where the framer is connected to backplanes that are frequency locked to the recovered T1 clock (i.e., the RCLK output), the full two frame depth of the onboard elastic stores is really not needed. In fact, in some delay sensitive applications, the normal two frame depth may be excessive. Register bits CCR3.7 and CCR3.0 control the RX and TX elastic stores depths. In this mode, RSYCLK and TSYCLK must be tied together and they must be frequency locked to RCLK. All of the slip contention logic in the framer is disabled (since slips cannot occur). Also, since the buffer depth is no longer two frames deep, the framer must be set up to source a frame pulse at the RSYNC pin and this output must be tied to the TSSYNC input. On power-up after the RSYCLK and TSYCLK signals have locked to the RCLK signal, the elastic stores should be reset.

14. HDLC CONTROLLER

The DS21Q42 has an enhanced HDLC controller configurable for use with the Facilities Data Link or DS0s. There are 64 byte buffers in both the transmit and receive paths. The user can select any DS0 or multiple DS0s as well as any specific bits within the DS0(s) to pass through the HDLC controller. See Figure 20-15 for details on formatting the transmit side. Note that TBOC.6 = 1 and TDC1.7 = 1 cannot exist without corrupting the data in the FDL. For use with the FDL, see section 15.1. See Table 14-1 for configuring the transmit HDLC controller.

Four new registers were added for the enhanced functionality of the HDLC controller; RDC1, RDC2, TDC1, and TDC2. Note that the BOC controller is functional when the HDLC controller is used for DS0s. Section 15 contains all of the HDLC and BOC registers and information on FDL/Fs Extraction and Insertion with and without the HDLC controller.

Transmit HDLC Configuration Table 14-1

Function	TBOC.6	TDC1.7	TCR1.2
DS0(s)	0	1	1 or 0
FDL	1	0	1
Disable	0	0	1 or 0

14.1 HDLC for DS0s

When using the HDLC controllers for DS0s, the same registers shown in section 15 will be used except for the TBOC and RBOC registers and bits HCR.7, HSR.7, and HIMR.7. As a basic guideline for interpreting and sending HDLC messages and BOC messages, the following sequences can be applied.

Receive a HDLC Message

1. Enable RPS interrupts
2. Wait for interrupt to occur
3. Disable RPS interrupt and enable either RPE, RNE, or RHALF interrupt
4. Read RHIR to obtain REMPTY status
 - a. If REMPTY=0, then record OBYTE, CBYTE, and POK bits and then read the FIFO
 - a1. If CBYTE=0 then skip to step 5
 - a2. If CBYTE=1 then skip to step 7
 - b. If REMPTY=1, then skip to step 6
5. Repeat step 4
6. Wait for interrupt, skip to step 4
7. If POK=0, then discard whole packet, if POK=1, accept the packet
8. Disable RPE, RNE, or RHALF interrupt, enable RPS interrupt and return to step 1.

Transmit a HDLC Message

1. Make sure HDLC controller is done sending any previous messages and is current sending flags by checking that the FIFO is empty by reading the TEMPT status bit in the THIR register
2. Enable either the THALF or TNF interrupt
3. Read THIR to obtain TFULL status
 - a. If TFULL=0, then write a byte into the FIFO and skip to next step (special case occurs when the last byte is to be written, in this case set TEOM=1 before writing the byte and then skip to step 6)
 - b. If TFULL=1, then skip to step 5
4. Repeat step 3
5. Wait for interrupt, skip to step 3
6. Disable THALF or TNF interrupt and enable TMEND interrupt
7. Wait for an interrupt, then read TUDR status bit to make sure packet was transmitted correctly.

15. FDL/Fs EXTRACTION AND INSERTION

Each Framer/Formatter has the ability to extract/insert data from/ into the Facility Data Link (FDL) in the ESF framing mode and from/into Fs-bit position in the D4 framing mode. Since SLC-96 utilizes the Fs-bit position, this capability can also be used in SLC-96 applications. The DS21Q42 contains a complete HDLC and BOC controller for the FDL and this operation is covered in Section 15.1. To allow for backward compatibility between the DS21Q42 and earlier devices, the DS21Q42 maintains some legacy functionality for the FDL and this is covered in Section 15.2. Section 15.3 covers D4 and SLC-96 operation. Please contact the factory for a copy of C language source code for implementing the FDL on the DS21Q42.

15.1 HDLC AND BOC CONTROLLER FOR THE FDL

15.1.1 General Overview

The DS21Q42 contains a complete HDLC controller with 64-byte buffers in both the transmit and receive directions as well as separate dedicated hardware for Bit Oriented Codes (BOC). The HDLC controller performs all the necessary overhead for generating and receiving Performance Report Messages (PRM) as described in ANSI T1.403 and the messages as described in AT&T TR54016. The HDLC controller automatically generates and detects flags, generates and checks the CRC check sum, generates and detects abort sequences, stuffs and destuffs zeros (for transparency), and byte aligns to the HDLC data stream. The 64-byte buffers in the HDLC controller are large enough to allow a full PRM to be received or transmitted without host intervention. The BOC controller will automatically detect incoming BOC sequences and alert the host. When the BOC ceases, the DS21Q42 will also alert the host. The user can set the device up to send any of the possible 6-bit BOC codes.

There are thirteen registers that the host will use to operate and control the operation of the HDLC and BOC controllers. A brief description of the registers is shown in Table 15-1.

HDLC/BOC CONTROLLER REGISTER LIST Table 15-1

NAME	FUNCTION
HDLC Control Register (HCR)	general control over the HDLC and BOC controllers
HDLC Status Register (HSR)	key status information for both transmit and receive directions
HDLC Interrupt Mask Register (HIMR)	allows/stops status bits to/from causing an interrupt
Receive HDLC Information Register (RHIR)	status information on receive HDLC controller
Receive BOC Register (RBOC)	status information on receive BOC controller
Receive HDLC FIFO Register (RHFR)	access to 64-byte HDLC FIFO in receive direction
Receive HDLC DS0 Control Register 1 (RDC1) Receive HDLC DS0 Control Register 2 (RDC2)	controls the HDLC function when used on DS0 channels
Transmit HDLC Information Register (THIR)	status information on transmit HDLC controller
Transmit BOC Register (TBOC)	enables/disables transmission of BOC codes
Transmit HDLC FIFO Register (THFR)	access to 64-byte HDLC FIFO in transmit direction
Transmit HDLC DS0 Control Register 1 (TDC1) Transmit HDLC DS0 Control Register 2 (TDC2)	controls the HDLC function when used on DS0 channels

15.1.2 Status Register for the HDLC

Four of the HDLC/BOC controller registers (HSR, RHIR, RBOC, and THIR) provide status information. When a particular event has occurred (or is occurring), the appropriate bit in one of these four registers will be set to a one. Some of the bits in these four HDLC status registers are latched and some are real time bits that are not latched. Section 15.1.4 contains register descriptions that list which bits are latched and which are not. With the latched bits, when an event occurs and a bit is set to a one, it will remain set until the user reads that bit. The bit will be cleared when it is read and it will not be set again until the event has occurred again. The real time bits report the current instantaneous conditions that are occurring and the history of these bits is not latched.

Like the other status registers in the DS21Q42, the user will always proceed a read of any of the four registers with a write. The byte written to the register will inform the DS21Q42 which of the latched bits the user wishes to read and have cleared (the real time bits are not affected by writing to the status register). The user will write a byte to one of these registers, with a one in the bit positions he or she wishes to read and a zero in the bit positions he or she does not wish to obtain the latest information on. When a one is written to a bit location, the read register will be updated with current value and it will be cleared. When a zero is written to a bit position, the read register will not be updated and the previous value will be held. A write to the status and information registers will be immediately followed by a read of the same register. The read result should be logically AND'ed with the mask byte that was just written and this value should be written back into the same register to insure that bit does indeed clear. This second write step is necessary because the alarms and events in the status registers occur asynchronously in respect to their access via the parallel port. This write-read-write (for polled driven access) or write-read (for interrupt driven access) scheme allows an external microcontroller or microprocessor to individually poll certain bits without disturbing the other bits in the register. This operation is key in controlling the DS21Q42 with higher-order software languages.

Like the SR1 and SR2 status registers, the HSR register has the unique ability to initiate a hardware interrupt via the INT* output pin. Each of the events in the HSR can be either masked or unmasked from the interrupt pin via the HDLC Interrupt Mask Register (HIMR). Interrupts will force the INT* pin low when the event occurs. The INT* pin will be allowed to return high (if no other interrupts are present) when the user reads the event bit that caused the interrupt to occur.

Basic Operation Details

To allow the framer to properly source/receive data from/to the HDLC and BOC controller the legacy FDL circuitry (which is described in Section 15.2) should be disabled and the following bits should be programmed as shown:

TCR1.2 = 1 (source FDL data from the HDLC and BOC controller)
 TBOC.6 = 1 (enable HDLC and BOC controller)
 CCR2.5 = 0 (disable SLC-96 and D4 Fs-bit insertion)
 CCR2.4 = 0 (disable legacy FDL zero stuffer)
 CCR2.1 = 0 (disable SLC-96 reception)
 CCR2.0 = 0 (disable legacy FDL zero stuffer)
 IMR2.4 = 0 (disable legacy receive FDL buffer full interrupt)
 IMR2.3 = 0 (disable legacy transmit FDL buffer empty interrupt)
 IMR2.2 = 0 (disable legacy FDL match interrupt)
 IMR2.1 = 0 (disable legacy FDL abort interrupt).

As a basic guideline for interpreting and sending both HDLC messages and BOC messages, the following sequences can be applied:

Receive a HDLC Message or a BOC

1. Enable RBOC and RPS interrupts
2. Wait for interrupt to occur
3. If RBOC=1, then follow steps 5 and 6
4. If RPS=1, then follow steps 7 through 12
5. If LBD=1, a BOC is present, then read the code from the RBOC register and take action as needed
6. If BD=0, a BOC has ceased, take action as needed and then return to step 1
7. Disable RPS interrupt and enable either RPE, RNE, or RHALF interrupt
8. Read RHIR to obtain EMPTY status a. if EMPTY=0, then record OBYTE, CBYTE, and POK bits and then read the FIFO a1. if CBYTE=0 then skip to step 9 a2. if CBYTE=1 then skip to step 11 b. if EMPTY=1, then skip to step 10
9. Repeat step 8
10. Wait for interrupt, skip to step 8
11. If POK=0, then discard whole packet, if POK=1, accept the packet 12. disable RPE, RNE, or RHALF interrupt, enable RPS interrupt and return to step 1.

Transmit a HDLC Message

1. Make sure HDLC controller is done sending any previous messages and is current sending flags by checking that the FIFO is empty by reading the EMPTY status bit in the THIR register
2. Enable either the THALF or TNF interrupt
3. Read THIR to obtain TFULL status a. if TFULL=0, then write a byte into the FIFO and skip to next step (special case occurs when the last byte is to be written, in this case set TEOM=1 before writing the byte and then skip to step 6) b. if TFULL=1, then skip to step 5
4. Repeat step 3
5. Wait for interrupt, skip to step 3
6. Disable THALF or TNF interrupt and enable TMEND interrupt
7. Wait for an interrupt, then read TUDR status bit to make sure packet was transmitted correctly.

Transmit a BOC

1. Write 6-bit code into TBOC
2. Set SBOC bit in TBOC=1

15.1.3 HDLC/BOC Register Description

HCR: HDLC CONTROL REGISTER (Address = 00 Hex)

(MSB)						(LSB)	
RBR	RHR	TFS	THR	TABT	TEOM	TZSD	TCRCD

SYMBOL	POSITION	NAME AND DESCRIPTION
RBR	HCR.7	Receive BOC Reset. A 0 to 1 transition will reset the BOC circuitry. Must be cleared and set again for a subsequent reset.
RHR	HCR.6	Receive HDLC Reset. A 0 to 1 transition will reset the HDLC controller. Must be cleared and set again for a subsequent reset.
TFS	HCR.5	Transmit Flag/Idle Select. 0 = 7Eh 1 = FFh
THR	HCR.4	Transmit HDLC/BOC Reset. A 0 to 1 transition will reset both the HDLC controller and the transmit BOC circuitry. Must be cleared and set again for a subsequent reset.
TABT	HCR.3	Transmit Abort. A 0 to 1 transition will cause the FIFO contents to be dumped and one FEh abort to be sent followed by 7Eh or FFh flags/idle until a new packet is initiated by writing new data into the FIFO. Must be cleared and set again for a subsequent abort to be sent.
TEOM	HCR.2	Transmit End of Message. Should be set to a one just before the last data byte of a HDLC packet is written into the transmit FIFO at THFR. The HDLC controller will clear this bit when the last byte has been transmitted.

SYMBOL	POSITION	NAME AND DESCRIPTION
TZSD	HCR.1	Transmit Zero Stuffer Defeat. Overrides internal enable. 0 = enable the zero stuffer (normal operation) 1 = disable the zero stuffer
TCRCD	HCR.0	Transmit CRC Defeat. 0 = enable CRC generation (normal operation) 1 = disable CRC generation

HSR: HDLC STATUS REGISTER (Address = 01 Hex)

(MSB)				(LSB)			
RBOC	RPE	RPS	RHALF	RNE	THALF	TNF	TMEND

SYMBOL	POSITION	NAME AND DESCRIPTION
RBOC	HSR.7	Receive BOC Detector Change of State. Set whenever the BOC detector sees a change of state from a BOC Detected to a No Valid Code seen or vice versa. The setting of this bit prompts the user to read the RBOC register for details.
RPE	HSR.6	Receive Packet End. Set when the HDLC controller detects either the finish of a valid message (i.e., CRC check complete) or when the controller has experienced a message fault such as a CRC checking error, or an overrun condition, or an abort has been seen. The setting of this bit prompts the user to read the RHIR register for details.
RPS	HSR.5	Receive Packet Start. Set when the HDLC controller detects an opening byte. The setting of this bit prompts the user to read the RHIR register for details.
RHALF	HSR.4	Receive FIFO Half Full. Set when the receive 64-byte FIFO fills beyond the half way point. The setting of this bit prompts the user to read the RHIR register for details.
RNE	HSR.3	Receive FIFO Not Empty. Set when the receive 64-byte FIFO has at least one byte available for a read. The setting of this bit prompts the user to read the RHIR register for details.
THALF	HSR.2	Transmit FIFO Half Empty. Set when the transmit 64-byte FIFO empties beyond the half way point. The setting of this bit prompts the user to read the THIR register for details.
TNF	HSR.1	Transmit FIFO Not Full. Set when the transmit 64-byte FIFO has at least one byte available. The setting of this bit prompts the user to read the THIR register for details.
TMEND	HSR.0	Transmit Message End. Set when the transmit HDLC controller has finished sending a message. The setting of this bit prompts the user to read the THIR register for details.

Note:

The RBOC, RPE, RPS, and TMEND bits are latched and will be cleared when read.

HIMR: HDLC INTERRUPT MASK REGISTER (Address = 02 Hex)

(MSB)				(LSB)			
RBOC	RPE	RPS	RHALF	RNE	THALF	TNF	TMEND

SYMBOL	POSITION	NAME AND DESCRIPTION
RBOC	HIMR.7	Receive BOC Detector Change of State. 0 = interrupt masked 1 = interrupt enabled
RPE	HIMR.6	Receive Packet End. 0 = interrupt masked 1 = interrupt enabled
RPS	HIMR.5	Receive Packet Start. 0 = interrupt masked 1 = interrupt enabled
RHALF	HIMR.4	Receive FIFO Half Full. 0 = interrupt masked 1 = interrupt enabled
RNE	HIMR.3	Receive FIFO Not Empty. 0 = interrupt masked 1 = interrupt enabled
THALF	HIMR.2	Transmit FIFO Half Empty. 0 = interrupt masked 1 = interrupt enabled
TNF	HIMR.1	Transmit FIFO Not Full. 0 = interrupt masked 1 = interrupt enabled
TMEND	HIMR.0	Transmit Message End. 0 = interrupt masked 1 = interrupt enabled

RHIR: RECEIVE HDLC INFORMATION REGISTER (Address = 03 Hex)

(MSB)						(LSB)	
RABT	RCRCE	ROVR	RVM	REMPY	POK	CBYTE	OBYTE

SYMBOL	POSITION	NAME AND DESCRIPTION
RABT	RHIR.7	Abort Sequence Detected. Set whenever the HDLC controller sees 7 or more ones in a row.
RCRCE	RHIR.6	CRC Error. Set when the CRC checksum is in error.
ROVR	RHIR.5	Overrun. Set when the HDLC controller has attempted to write a byte into an already full receive FIFO.
RVM	RHIR.4	Valid Message. Set when the HDLC controller has detected and checked a complete HDLC packet.
REMPY	RHIR.3	Empty. A real-time bit that is set high when the receive FIFO is empty.

SYMBOL	POSITION	NAME AND DESCRIPTION
POK	RHIR.2	Packet OK. Set when the byte available for reading in the receive FIFO at RHFR is the last byte of a valid message (and hence no abort was seen, no overrun occurred, and the CRC was correct).
CBYTE	RHIR.1	Closing Byte. Set when the byte available for reading in the receive FIFO at RHFR is the last byte of a message (whether the message was valid or not).
OBYTE	RHIR.0	Opening Byte. Set when the byte available for reading in the receive FIFO at RHFR is the first byte of a message.

Note:

The RABT, RCRCE, ROVR, and RVM bits are latched and will be cleared when read.

RBOC: RECEIVE BIT ORIENTED CODE REGISTER (Address = 04 Hex)

(MSB)							(LSB)
LBD	BD	BOC5	BOC4	BOC3	BOC2	BOC1	BOC0

SYMBOL	POSITION	NAME AND DESCRIPTION
LBD	RBOC.7	Latched BOC Detected. A latched version of the BD status bit (RBOC.6). Will be cleared when read.
BD	RBOC.6	BOC Detected. A real-time bit that is set high when the BOC detector is presently seeing a valid sequence and set low when no BOC is currently being detected.
BOC5	RBOC.5	BOC Bit 5. Last bit received of the 6-bit code word.
BOC4	RBOC.4	BOC Bit 4.
BOC3	RBOC.3	BOC Bit 3.
BOC2	RBOC.2	BOC Bit 2.
BOC1	RBOC.1	BOC Bit 1.
BOC0	RBOC.0	BOC Bit 0. First bit received of the 6-bit code word.

Note:

1. The LBD bit is latched and will be cleared when read.
2. The RBOC0 to RBOC5 bits display the last valid BOC code verified; these bits will be set to all ones on reset.

RHFR: RECEIVE HDLC FIFO (Address = 05 Hex)

(MSB)						(LSB)	
HDLC7	HDLC6	HDLC5	HDLC4	HDLC3	HDLC2	HDLC1	HDLC0

SYMBOL	POSITION	NAME AND DESCRIPTION
HDLC7	RHFR.7	HDLC Data Bit 7. MSB of a HDLC packet data byte.
HDLC6	RHFR.6	HDLC Data Bit 6.
HDLC5	RHFR.5	HDLC Data Bit 5.
HDLC4	RHFR.4	HDLC Data Bit 4.
HDLC3	RHFR.3	HDLC Data Bit 3.
HDLC2	RHFR.2	HDLC Data Bit 2.
HDLC1	RHFR.1	HDLC Data Bit 1.
HDLC0	RHFR.0	HDLC Data Bit 0. LSB of a HDLC packet data byte.

THIR: TRANSMIT HDLC INFORMATION (Address = 06 Hex)

(MSB)						(LSB)	
–	–	–	–	–	EMPTY	TFULL	UDR

SYMBOL	POSITION	NAME AND DESCRIPTION
–	THIR.7	Not Assigned. Could be any value when read.
–	THIR.6	Not Assigned. Could be any value when read.
–	THIR.5	Not Assigned. Could be any value when read.
–	THIR.4	Not Assigned. Could be any value when read.
–	THIR.3	Not Assigned. Could be any value when read.
EMPTY	THIR.2	Transmit FIFO Empty. A real-time bit that is set high when the FIFO is empty.
TFULL	THIR.1	Transmit FIFO Full. A real-time bit that is set high when the FIFO is full.
UDR	THIR.0	Underrun. Set when the transmit FIFO unwantedly empties out and an abort is automatically sent.

Note:

The UDR bit is latched and will be cleared when read.

TBOC: TRANSMIT BIT ORIENTED CODE (Address = 07 Hex)

(MSB)						(LSB)	
SBOC	HBEN	BOC5	BOC4	BOC3	BOC2	BOC1	BOC0

SYMBOL	POSITION	NAME AND DESCRIPTION
SBOC	TBOC.7	Send BOC. Rising edge triggered. Must be transitioned from a 0 to a 1 transmit the BOC code placed in the BOC0 to BOC5 bits instead of data from the HDLC controller.
HBEN	TBOC.6	Transmit HDLC & BOC Controller Enable. 0 = source FDL data from the TLINK pin 1 = source FDL data from the onboard HDLC and BOC controller
BOC5	TBOC.5	BOC Bit 5. Last bit transmitted of the 6-bit code word.
BOC4	TBOC.4	BOC Bit 4.
BOC3	TBOC.3	BOC Bit 3.
BOC2	TBOC.2	BOC Bit 2.
BOC1	TBOC.1	BOC Bit 1.
BOC0	TBOC.0	BOC Bit 0. First bit transmitted of the 6-bit code word.

THFR: TRANSMIT HDLC FIFO (Address = 08 Hex)

(MSB)						(LSB)	
HDLC7	HDLC6	HDLC5	HDLC4	HDLC3	HDLC2	HDLC1	HDLC0

SYMBOL	POSITION	NAME AND DESCRIPTION
HDLC7	THFR.7	HDLC Data Bit 7. MSB of a HDLC packet data byte.
HDLC6	THFR.6	HDLC Data Bit 6.
HDLC5	THFR.5	HDLC Data Bit 5.
HDLC4	THFR.4	HDLC Data Bit 4.
HDLC3	THFR.3	HDLC Data Bit 3.
HDLC2	THFR.2	HDLC Data Bit 2.
HDLC1	THFR.1	HDLC Data Bit 1.
HDLC0	THFR.0	HDLC Data Bit 0. LSB of a HDLC packet data byte.

RDC1: RECEIVE HDLC DS0 CONTROL REGISTER 1 (Address = 90 Hex)

(MSB)				(LSB)			
RDS0E	-	RDS0M	RD4	RD3	RD2	RD1	RD0

SYMBOL	POSITION	NAME AND DESCRIPTION
RDS0E	RDC1.7	HDLC DS0 Enable. 0 = use receive HDLC controller for the FDL. 1 = use receive HDLC controller for one or more DS0 channels.
-	RDC1.6	Not Assigned. Should be set to 0.
RDS0M	RDC1.5	DS0 Selection Mode. 0 = utilize the RD0 to RD4 bits to select which single DS0 channel to use. 1 = utilize the RCHBLK control registers to select which DS0 channels to use.
RD4	RDC1.4	DS0 Channel Select Bit 4. MSB of the DS0 channel select.
RD3	RDC1.3	DS0 Channel Select Bit 3.
RD2	RDC1.2	DS0 Channel Select Bit 2.
RD1	RDC1.1	DS0 Channel Select Bit 1.
RD0	RDC1.0	DS0 Channel Select Bit 0. LSB of the DS0 channel select.

RDC2: RECEIVE HDLC DS0 CONTROL REGISTER 2 (Address = 91 Hex)

(MSB)				(LSB)			
RDB8	RDB7	RDB6	RDB5	RDB4	RDB3	RDB2	RDB1

SYMBOL	POSITION	NAME AND DESCRIPTION
RDB8	RDC2.7	DS0 Bit 8 Suppress Enable. MSB of the DS0. Set to one to stop this bit from being used.
RDB7	RDC2.6	DS0 Bit 7 Suppress Enable. Set to one to stop this bit from being used.
RDB6	RDC2.5	DS0 Bit 6 Suppress Enable. Set to one to stop this bit from being used.
RDB5	RDC2.4	DS0 Bit 5 Suppress Enable. Set to one to stop this bit from being used.
RDB4	RDC2.3	DS0 Bit 4 Suppress Enable. Set to one to stop this bit from being used.
RDB3	RDC2.2	DS0 Bit 3 Suppress Enable. Set to one to stop this bit from being used.
RDB2	RDC2.1	DS0 Bit 2 Suppress Enable. Set to one to stop this bit from being used.
RDB1	RDC2.0	DS0 Bit 1 Suppress Enable. LSB of the DS0. Set to one to stop this bit from being used.

TDC1: TRANSMIT HDLC DS0 CONTROL REGISTER 1 (Address = 92 Hex)

(MSB)				(LSB)			
TDS0E	-	TDS0M	TD4	TD3	TD2	TD1	TD0

SYMBOL	POSITION	NAME AND DESCRIPTION
TDS0E	TDC1.7	HDLC DS0 Enable. 0 = use transmit HDLC controller for the FDL. 1 = use transmit HDLC controller for one or more DS0 channels.
-	TDC1.6	Not Assigned. Should be set to 0.
TDS0M	TDC1.5	DS0 Selection Mode. 0 = utilize the TD0 to TD4 bits to select which single DS0 channel to use. 1 = utilize the TCHBLK control registers to select which DS0 channels to use.
TD4	TDC1.4	DS0 Channel Select Bit 4. MSB of the DS0 channel select.
TD3	TDC1.3	DS0 Channel Select Bit 3.
TD2	TDC1.2	DS0 Channel Select Bit 2.
TD1	TDC1.1	DS0 Channel Select Bit 1.
TD0	TDC1.0	DS0 Channel Select Bit 0. LSB of the DS0 channel select.

TDC2: TRANSMIT HDLC DS0 CONTROL REGISTER 2 (Address = 93 Hex)

(MSB)				(LSB)			
TDB8	TDB7	TDB6	TDB5	TDB4	TDB3	TDB2	TDB1

SYMBOL	POSITION	NAME AND DESCRIPTION
TDB8	TDC2.7	DS0 Bit 8 Suppress Enable. MSB of the DS0. Set to one to stop this bit from being used.
TDB7	TDC2.6	DS0 Bit 7 Suppress Enable. Set to one to stop this bit from being used.
TDB6	TDC2.5	DS0 Bit 6 Suppress Enable. Set to one to stop this bit from being used.
TDB5	TDC2.4	DS0 Bit 5 Suppress Enable. Set to one to stop this bit from being used.
TDB4	TDC2.3	DS0 Bit 4 Suppress Enable. Set to one to stop this bit from being used.
TDB3	TDC2.2	DS0 Bit 3 Suppress Enable. Set to one to stop this bit from being used.
TDB2	TDC2.1	DS0 Bit 2 Suppress Enable. Set to one to stop this bit from being used.
TDB1	TDC2.0	DS0 Bit 1 Suppress Enable. LSB of the DS0. Set to one to stop this bit from being used.

15.2 LEGACY FDL SUPPORT

15.2.1 Overview

The DS21Q42 maintains the circuitry that existed in the previous generation of Dallas Semiconductor's single chip transceivers and quad framers. Section 15.2 covers the circuitry and operation of this legacy functionality. In new applications, it is recommended that the HDLC controller and BOC controller described in Section 15.1 be used. On the receive side, it is possible to have both the new HDLC/BOC controller and the legacy hardware working at the same time. However this is not possible on the transmit side since there can be only one source of the FDL data internal to the device.

15.2.2 Receive Section

In the receive section, the recovered FDL bits or Fs bits are shifted bit-by-bit into the Receive FDL register (RFDL). Since the RFDL is 8 bits in length, it will fill up every 2 ms (8 times 250 us). The framer will signal an external microcontroller that the buffer has filled via the SR2.4 bit. If enabled via IMR2.4, the INT* pin will toggle low indicating that the buffer has filled and needs to be read. The user has 2 ms to read this data before it is lost. If the byte in the RFDL matches either of the bytes programmed into the RMTCH1 or RMTCH2 registers, then the SR2.2 bit will be set to a one and the INT* pin will toggle low if enabled via IMR2.2. This feature allows an external microcontroller to ignore the FDL or Fs pattern until an important event occurs.

The framer also contains a zero destuffer, which is controlled via the CCR2.0 bit. In both ANSI T1.403 and TR54016, communications on the FDL follows a subset of a LAPD protocol. The LAPD protocol states that no more than 5 ones should be transmitted in a row so that the data does not resemble an opening or closing flag (01111110) or an abort signal (11111111). If enabled via CCR2.0, the DS21Q42 will automatically look for 5 ones in a row, followed by a zero. If it finds such a pattern, it will automatically remove the zero. If the zero destuffer sees six or more ones in a row followed by a zero, the zero is not removed. The CCR2.0 bit should always be set to a one when the DS21Q42 is extracting the FDL. More on how to use the DS21Q42 in FDL applications in this legacy support mode is covered in a separate Application Note.

RFDL: RECEIVE FDL REGISTER (Address = 28 Hex)

(MSB)						(LSB)	
RFDL7	RFDL6	RFDL5	RFDL4	RFDL3	RFDL2	RFDL1	RFDL0

SYMBOL	POSITION	NAME AND DESCRIPTION
RFDL7	RFDL.7	MSB of the Received FDL Code
RFDL0	RFDL.0	LSB of the Received FDL Code

The Receive FDL Register (RFDL) reports the incoming Facility Data Link (FDL) or the incoming Fs bits. The LSB is received first.

RMTCH1: RECEIVE FDL MATCH REGISTER 1 (Address = 29 Hex)**RMTCH2: RECEIVE FDL MATCH REGISTER 2 (Address = 2A Hex)**

(MSB)						(LSB)	
RMFDL7	RMFDL6	RMFDL5	RMFDL4	RMFDL3	RMFDL2	RMFDL1	RMFDL0

SYMBOL	POSITION	NAME AND DESCRIPTION
RMFDL7	RMTCH1.7 RMTCH2.7	MSB of the FDL Match Code
RMFDL0	RMTCH1.0 RMTCH2.0	LSB of the FDL Match Code

When the byte in the Receive FDL Register matches either of the two Receive FDL Match Registers (RMTCH1/RMTCH2), SR2.2 will be set to a one and the INT* will go active if enabled via IMR2.2.

15.2.3 Transmit Section

The transmit section will shift out into the T1 data stream, either the FDL (in the ESF framing mode) or the Fs bits (in the D4 framing mode) contained in the Transmit FDL register (TFDL). When a new value is written to the TFDL, it will be multiplexed serially (LSB first) into the proper position in the outgoing T1 data stream. After the full eight bits has been shifted out, the framer will signal the host microcontroller that the buffer is empty and that more data is needed by setting the SR2.3 bit to a one. The INT* will also toggle low if enabled via IMR2.3. The user has 2 ms to update the TFDL with a new value. If the TFDL is not updated, the old value in the TFDL will be transmitted once again. The framer also contains a zero stuffer, which is controlled via the CCR2.4 bit. In both ANSI T1.403 and TR54016, communications on the FDL follows a subset of a LAPD protocol. The LAPD protocol states that no more than 5 ones should be transmitted in a row so that the data does not resemble an opening or closing flag (01111110) or an abort signal (11111111). If enabled via CCR2.4, the framer will automatically look for 5 ones in a row. If it finds such a pattern, it will automatically insert a zero after the five ones. The CCR2.0 bit should always be set to a one when the framer is inserting the FDL. More on how to use the DS21Q42 in FDL applications is covered in a separate Application Note.

TFDL: TRANSMIT FDL REGISTER (Address = 7E Hex)

[Also used to insert Fs framing pattern in D4 framing mode; see Section 15.3]

(MSB)						(LSB)	
TFDL7	TFDL6	TFDL5	TFDL4	TFDL3	TFDL2	TFDL1	TFDL0

SYMBOL	POSITION	NAME AND DESCRIPTION
TFDL7	TFDL.7	MSB of the FDL code to be transmitted
TFDL0	TFDL.0	LSB of the FDL code to be transmitted

The Transmit FDL Register (TFDL) contains the Facility Data Link (FDL) information that is to be inserted on a byte basis into the outgoing T1 data stream. The LSB is transmitted first.

15.2.4 D4/SLC-96 OPERATION

In the D4 framing mode, the framer uses the TFDL register to insert the Fs framing pattern. To allow the device to properly insert the Fs framing pattern, the TFDL register at address 7Eh must be programmed to 1Ch and the following bits must be programmed as shown: TCR1.2=0 (source Fs data from the TFDL register) CCR2.5=1 (allow the TFDL register to load on multiframe boundaries)

Since the SLC-96 message fields share the Fs-bit position, the user can access these message fields via the TFDL and RFDL registers. Please see the separate Application Note for a detailed description of how to implement a SLC-96

16. PROGRAMMABLE IN-BAND CODE GENERATION AND DETECTION

Each framer in the DS21Q42 has the ability to generate and detect a repeating bit pattern that is from one to eight bits in length. To transmit a pattern, the user will load the pattern to be sent into the Transmit Code Definition (TCD) register and select the proper length of the pattern by setting the TC0 and TC1 bits in the In-Band Code Control (IBCC) register. Once this is accomplished, the pattern will be transmitted as long as the TLOOP control bit (CCR3.1) is enabled. Normally (unless the transmit formatter is programmed to not insert the F-bit position) the framer will overwrite the repeating pattern once every 193 bits to allow the F-bit position to be sent. See Figure 20-15 for more details. As an example, if the user wished to transmit the standard “loop up” code for Channel Service Units which is a repeating pattern of ...10000100001... then 80h would be loaded into TDR and the length would set to 5 bits.

Each framer can detect two separate repeating patterns to allow for both a “loop up” code and a “loop down” code to be detected. The user will program the codes to be detected in the Receive Up Code Definition (RUPCD) register and the Receive Down Code Definition (RDNCD) register and the length of each pattern will be selected via the IBCC register. The framer will detect repeating pattern codes in both framed and unframed circumstances with bit error rates as high as 10^{*-2} . The code detector has a nominal integration period of 48 ms. Hence, after about 48 ms of receiving either code, the proper status bit (LUP at SR1.7 and LDN at SR1.6) will be set to a one. Normally codes are sent for a period of 5 seconds. It is recommended that the software poll the framer every 100 ms to 1000 ms until 5 seconds has elapsed to insure that the code is continuously present.

IBCC: IN-BAND CODE CONTROL REGISTER (Address=12 Hex)

(MSB)				(LSB)			
TC1	TC0	RUP2	RUP1	RUP0	RDN2	RDN1	RDN0

SYMBOL	POSITION	NAME AND DESCRIPTION
TC1	IBCC.7	Transmit Code Length Definition Bit 1. See Table 16-1
TC0	IBCC.6	Transmit Code Length Definition Bit 0. See Table 16-1
RUP2	IBCC.5	Receive Up Code Length Definition Bit 2. See Table 16-2
RUP1	IBCC.4	Receive Up Code Length Definition Bit 1. See Table 16-2
RUP0	IBCC.3	Receive Up Code Length Definition Bit 0. See Table 16-2
RDN2	IBCC.2	Receive Down Code Length Definition Bit 2. See Table 16-2
RDN1	IBCC.1	Receive Down Code Length Definition Bit 1. See Table 16-2
RDN0	IBCC.0	Receive Down Code Length Definition Bit 0. See Table 16-2

Table 16-1

TC1	TC0	LENGTH SELECTED
0	0	5 bits
0	1	6 bits / 3 bits
1	0	7 bits
1	1	8 bits / 4 bits / 2 bits / 1 bits

RECEIVE CODE LENGTH Table 16-2

RUP2/RDN2	RUP1/RDN1	RUP0/RDN0	LENGTH SELECTED
0	0	0	1 bits
0	0	1	2 bits
0	1	0	3 bits
0	1	1	4 bits
1	0	0	5 bits
1	0	1	6 bits
1	1	0	7 bits
1	1	1	8 bits

TCD: TRANSMIT CODE DEFINITION REGISTER (Address=13 Hex)

(MSB)							(LSB)
C7	C6	C5	C4	C3	C2	C1	C0

SYMBOL	POSITION	NAME AND DESCRIPTION
C7	TCD.7	Transmit Code Definition Bit 7. First bit of the repeating pattern.
C6	TCD.6	Transmit Code Definition Bit 6.
C5	TCD.5	Transmit Code Definition Bit 5.
C4	TCD.4	Transmit Code Definition Bit 4.
C3	TCD.3	Transmit Code Definition Bit 3.
C2	TCD.2	Transmit Code Definition Bit 2. A Don't Care if a 5 bit length is selected.
C1	TCD.1	Transmit Code Definition Bit 1. A Don't Care if a 5 or 6 bit length is selected.
C0	TCD.0	Transmit Code Definition Bit 0. A Don't Care if a 5, 6 or 7 bit length is selected.

RUPCD: RECEIVE UP CODE DEFINITION REGISTER (Address=14 Hex)

(MSB)				(LSB)			
C7	C6	C5	C4	C3	C2	C1	C0
SYMBOL	POSITION	NAME AND DESCRIPTION					
C7	RUPCD.7	Receive Up Code Definition Bit 7. First bit of the repeating pattern.					
C6	RUPCD.6	Receive Up Code Definition Bit 6. A Don't Care if a 1 bit length is selected.					
C5	RUPCD.5	Receive Up Code Definition Bit 5. A Don't Care if a 1 or 2 bit length is selected.					
C4	RUPCD.4	Receive Up Code Definition Bit 4. A Don't Care if a 1 to 3 bit length is selected.					
C3	RUPCD.3	Receive Up Code Definition Bit 3. A Don't Care if a 1 to 4 bit length is selected.					
C2	RUPCD.2	Receive Up Code Definition Bit 2. A Don't Care if a 1 to 5 bit length is selected.					
C1	RUPCD.1	Receive Up Code Definition Bit 1. A Don't Care if a 1 to 6 bit length is selected.					
C0	RUPCD.0	Receive Up Code Definition Bit 0. A Don't Care if a 1 to 7 bit length is selected.					

RDNCD: RECEIVE DOWN CODE DEFINITION REGISTER (Address=15 Hex)

(MSB)				(LSB)			
C7	C6	C5	C4	C3	C2	C1	C0
SYMBOL	POSITION	NAME AND DESCRIPTION					
C7	RDNCD.7	Receive Down Code Definition Bit 7. First bit of the repeating pattern.					
C6	RDNCD.6	Receive Down Code Definition Bit 6. A Don't Care if a 1 bit length is selected.					
C5	RDNCD.5	Receive Down Code Definition Bit 5. A Don't Care if a 1 or 2 bit length is selected.					
C4	RDNCD.4	Receive Down Code Definition Bit 4. A Don't Care if a 1 to 3 bit length is selected.					
C3	RDNCD.3	Receive Down Code Definition Bit 3. A Don't Care if a 1 to 4 bit length is selected.					
C2	RDNCD.2	Receive Down Code Definition Bit 2. A Don't Care if a 1 to 5 bit length is selected.					
C1	RDNCD.1	Receive Down Code Definition Bit 1. A Don't Care if a 1 to 6 bit length is selected.					
C0	RDNCD.0	Receive Down Code Definition Bit 0. A Don't Care if a 1 to 7 bit length is selected.					

17. TRANSMIT TRANSPARENCY

Each of the 24 T1 channels in the transmit direction of the framer can be either forced to be transparent or in other words, can be forced to stop Bit 7 Stuffing and/or Robbed Signaling from overwriting the data in the channels. Transparency can be invoked on a channel by channel basis by properly setting the TTR1, TTR2, and TTR3 registers.

TTR1/TTR2/TTR3: TRANSMIT TRANSPARENCY REGISTER (Address=39 to 3B Hex)

(MSB)						(LSB)		
CH8	CH7	CH6	CH5	CH4	CH3	CH2	CH1	TTR1 (39)
CH16	CH15	CH14	CH13	CH12	CH11	CH10	CH9	TTR2 (3A)
CH24	CH23	CH22	CH21	CH20	CH19	CH18	CH17	TTR3 (3B)

SYMBOLS	POSITIONS	NAME AND DESCRIPTION
---------	-----------	----------------------

CH1-24	TTR1.0-3.7	Transmit Transparency Registers. 0 = this DS0 channel is not transparent 1 = this DS0 channel is transparent
--------	------------	---

Each of the bit position in the Transmit Transparency Registers (TTR1/TTR2/TTR3) represent a DS0 channel in the outgoing frame. When these bits are set to a one, the corresponding channel is transparent (or clear). If a DS0 is programmed to be clear, no robbed bit signaling will be inserted nor will the channel have Bit 7 stuffing performed. However, in the D4 framing mode, bit 2 will be overwritten by a zero when a Yellow Alarm is transmitted. Also the user has the option to prevent the TTR registers from determining which channels are to have Bit 7 stuffing performed. If the TCR2.0 and TCR1.3 bits are set to one, then all 24 T1 channels will have Bit 7 stuffing performed on them regardless of how the TTR registers are programmed. In this manner, the TTR registers are only affecting which channels are to have robbed bit signaling inserted into them. Please see Figure 20-15 for more details.

18. INTERLEAVED PCM BUS OPERATION

In many architectures, the outputs of individual framers are combined into higher speed serial buses to simplify transport across the system. The DS21Q42 can be configured to allow each framer's data and signaling busses to be multiplexed into higher speed data and signaling busses eliminating external hardware saving board space and cost.

The interleaved PCM bus option supports two bus speeds and interleave modes. The 4.096 MHz bus speed allows two framers to share a common bus. The 8.192 MHz bus speed allows all four of the DS21Q42's framers to share a common bus. Framers can interleave their data either on byte or frame boundaries. Framers that share a common bus must be configured through software and require several device pins to be connected together externally (see figures 18-1 & 18-2). Each framer's elastic stores must be enabled and configured for 2.048 MHz operation. The signal RSYNC must be configured as an input on each framer.

For all bus configurations, one framer will be configured as the master device and the remaining framers on the shared bus will be configured as slave devices. Refer to the IBO register description below for more detail. In the 4.096 MHz bus configuration there is one master and one slave per bus. Figure 18-1 shows the DS21Q42 configured to support two 4.096 MHz buses. Bus 1 consists of framers 0 and 1. Bus 2 consists of framers 2 and 3. Framers 0 and 2 are programmed as master devices. Framers 1 and 3 are programmed as slave devices. In the 8.192 MHz bus configuration there is one master and three slaves. Figure 18-2 shows the DS21Q42 configured to support a 8.192 MHz bus. Framers 0 is programmed as the master device. Framers 1, 2 and 3 are programmed as slave devices. Consult timing diagrams in section 20 for additional information.

When using the frame interleave mode, all framers that share an interleaved bus must have receive signals (RPOS & RNEG) that are synchronous with each other. The received signals must originate from the same clock reference. This restriction does not apply in the byte interleave mode.

IBO: INTERLEAVE BUS OPERATION REGISTER (Address = 94 Hex)

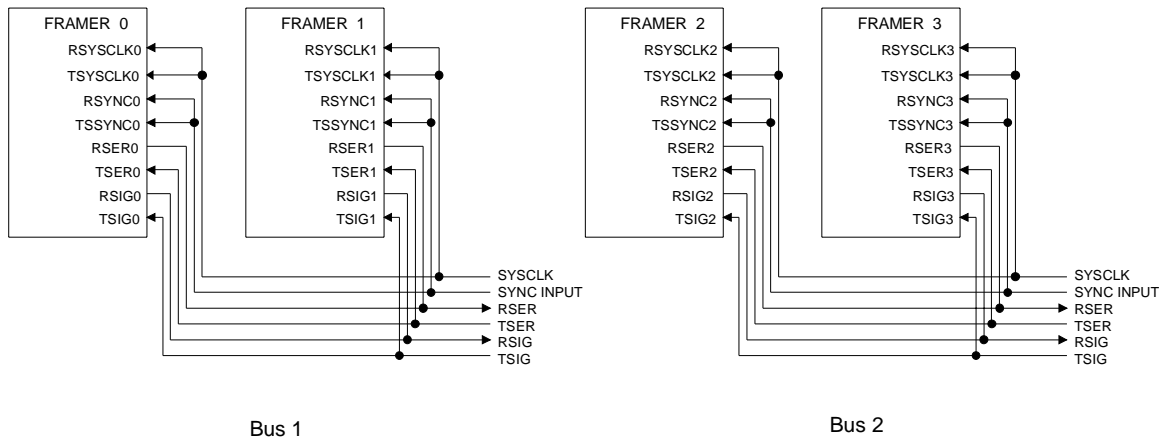
(MSB)				(LSB)			
-	-	-	-	IBOEN	INTSEL	MSEL0	MSEL1

SYMBOL	POSITION	NAME AND DESCRIPTION
-	IBO.6	Not Assigned. Should be set to 0.
-	IBO.6	Not Assigned. Should be set to 0.
-	IBO.5	Not Assigned. Should be set to 0.
-	IBO.4	Not Assigned. Should be set to 0.
IBOEN	IBO.3	Interleave Bus Operation Enable 0 = Interleave Bus Operation disabled. 1 = Interleave Bus Operation enabled.
INTSEL	IBO.2	Interleave Type Select 0 = Byte interleave. 1 = Frame interleave.
MSEL0	IBO.1	Master Device Bus Select Bit 0 See table 18-1.
MSEL1	IBO.0	Master Device Bus Select Bit 1 See table 18-1.

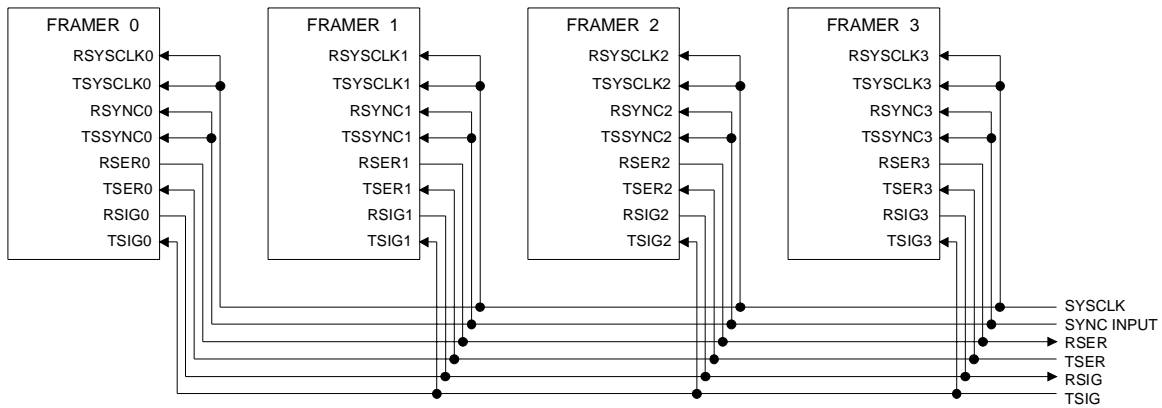
Master Device Bus Select Table 18-1

MSEL1	MSEL0	Function
0	0	Slave device.
0	1	Master device with 1 slave device (4.096 MHz bus rate)
1	0	Master device with 3 slave devices (8.192 MHz bus rate)
1	1	Reserved

4.096 MHz Interleaved Bus External Pin Connection Example Figure 18-1



8.192 MHz Interleaved Bus External Pin Connection Example Figure 18-2



19. JTAG-BOUNDARY SCAN ARCHITECTURE AND TEST ACCESS PORT

19.1 Description

The DS21Q42 IEEE 1149.1 design supports the standard instruction codes SAMPLE/PRELOAD, BYPASS, and EXTEST. Optional public instructions included with this design are HIGHZ, CLAMP, and IDCODE. See Figure 19-1 for a block diagram. The DS21Q42 contains the following items, which meet the requirements, set by the IEEE 1149.1 Standard Test Access Port and Boundary Scan Architecture.

Test Access Port (TAP)

TAP Controller

Instruction Register

Bypass Register

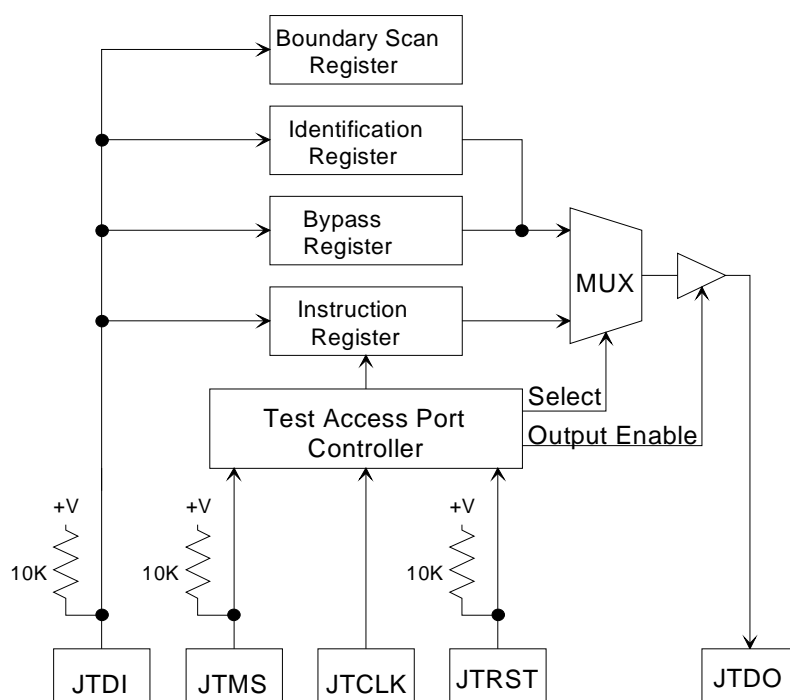
Boundary Scan Register

Device Identification Register

The JTAG feature is only available when the DS21Q42 feature set is selected (FMS = 0). The JTAG feature is disabled when the DS21Q42 is configured for emulation of the DS21Q41B (FMS = 1). Details on Boundary Scan Architecture and the Test Access Port can be found in IEEE 1149.1-1990, IEEE 1149.1a-1993, and IEEE 1149.1b-1994.

The Test Access Port has the necessary interface pins; JTRST*, JTCLK, JTMS, JTDI, and JTDO. See the pin descriptions for details.

Boundary Scan Architecture Figure 19-1



19.2 TAP Controller State Machine

This section covers the details on the operation of the Test Access Port (TAP) Controller State Machine. Please see Figure 19.2 for details on each of the states described below.

TAP Controller

The TAP controller is a finite state machine that responds to the logic level at JTMS on the rising edge of JTCLK.

Test-Logic-Reset

Upon power up of the DS21Q42, the TAP Controller will be in the Test-Logic-Reset state. The Instruction register will contain the IDCODE instruction. All system logic of the DS21Q42 will operate normally.

Run-Test-Idle

The Run-Test-Idle is used between scan operations or during specific tests. The Instruction register and Test registers will remain idle.

Select-DR-Scan

All test registers retain their previous state. With JTMS low, a rising edge of JTCLK moves the controller into the Capture-DR state and will initiate a scan sequence. JTMS HIGH during a rising edge on JTCLK moves the controller to the Select-IR

Capture-DR

Data may be parallel-loaded into the Test Data registers selected by the current instruction. If the instruction does not call for a parallel load or the selected register does not allow parallel loads, the Test register will remain at its current value. On the rising edge of JTCLK, the controller will go to the Shift-DR state if JTMS is low or it will go to the Exit1-DR state if JTMS is high.

Shift-DR

The Test Data register selected by the current instruction will be connected between JTDI and JTDO and will shift data one stage towards its serial output on each rising edge of JTCLK. If a Test Register selected by the current instruction is not placed in the serial path, it will maintain its previous state.

Exit1-DR

While in this state, a rising edge on JTCLK with JTMS high will put the controller in the Update-DR state, and terminate the scanning process. A rising edge on JTCLK with JTMS low will put the controller in the Pause-DR state.

Pause-DR

Shifting of the test registers is halted while in this state. All Test registers selected by the current instruction will retain their previous state. The controller will remain in this state while JTMS is low. A rising edge on JTCLK with JTMS high will put the controller in the Exit2-DR state.

Exit2-DR

While in this state, a rising edge on JTCLK with JTMS high will put the controller in the Update-DR state and terminate the scanning process. A rising edge on JTCLK with JTMS low will enter the Shift-DR state.

Update-DR

A falling edge on JTCLK while in the Update-DR state will latch the data from the shift register path of the Test registers into the data output latches. This prevents changes at the parallel output due to changes in the shift register. A rising edge on JTCLK with JTMS low, will put the controller in the Run-Test-Idle state. With JTMS high, the controller will enter the Select-DR-Scan state.

Select-IR-Scan

All test registers retain their previous state. The instruction register will remain unchanged during this state. With JTMS low, a rising edge of JTCLK moves the controller into the Capture-IR state and will initiate a scan sequence for the Instruction register. JTMS high during a rising edge on JTCLK puts the controller back into the Test-Logic-Reset state.

Capture-IR

The Capture-IR state is used to load the shift register in the instruction register with a fixed value. This value is loaded on the rising edge of JTCLK. If JTMS is high on the rising edge of JTCLK, the controller will enter the Exit1-IR state. If JTMS is low on the rising edge of JTCLK, the controller will enter the Shift-IR state.

Shift-IR

In this state, the shift register in the instruction register is connected between JTDI and JTDO and shifts data one stage for every rising edge of JTCLK towards the serial output. The parallel registers, as well as all Test registers remain at their previous states. A rising edge on JTCLK with JTMS high will move the controller to the Exit1-IR state. A rising edge on JTCLK with JTMS low will keep the controller in the Shift-IR state while moving data one stage thorough the instruction shift register.

Exit1-IR

A rising edge on JTCLK with JTMS low will put the controller in the Pause-IR state. If JTMS is high on the rising edge of JTCLK, the controller will enter the Update-IR state and terminate the scanning process.

Pause-IR

Shifting of the instruction shift register is halted temporarily. With JTMS high, a rising edge on JTCLK will put the controller in the Exit2-IR state. The controller will remain in the Pause-IR state if JTMS is low during a rising edge on JTCLK.

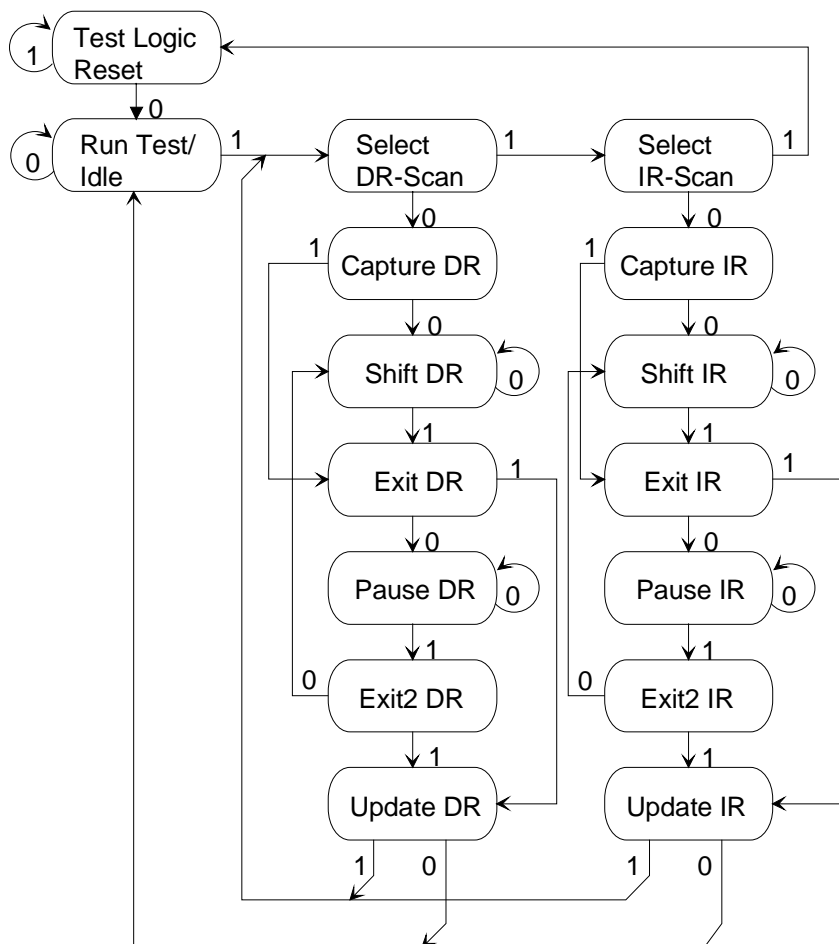
Exit2-IR

A rising edge on JTCLK with JTMS low will put the controller in the Update-IR state. The controller will loop back to Shift-IR if JTMS is high during a rising edge of JTCLK in this state.

Update-IR

The instruction code shifted into the instruction shift register is latched into the parallel output on the falling edge of JTCLK as the controller enters this state. Once latched, this instruction becomes the current instruction. A rising edge on JTCLK with JTMS low, will put the controller in the Run-Test-Idle state. With JTMS high, the controller will enter the Select-DR-Scan state.

TAP Controller State Machine Figure 19-2



19.3 Instruction Register and Instructions

The instruction register contains a shift register as well as a latched parallel output and is 3 bits in length. When the TAP controller enters the Shift-IR state, the instruction shift register will be connected between JTDI and JTDO. While in the Shift-IR state, a rising edge on JTCLK with JTMS low will shift the data one stage towards the serial output at JTDO. A rising edge on JTCLK in the Exit1-IR state or the Exit 2-IR state with JTMS high will move the controller to the Update-IR state. The falling edge of that same JTCLK will latch the data in the instruction shift register to the instruction parallel output. Instructions supported by the DS21Q42 with their respective operational binary codes are shown in Table 19-1.

Instruction Codes For The DS21352/552 IEEE 1149.1 Architecture Table 19-1

Instruction	Selected Register	Instruction Codes
SAMPLE/PRELOAD	Boundary Scan	010
BYPASS	Bypass	111
EXTEST	Boundary Scan	000
CLAMP	Boundary Scan	011
HIGHZ	Boundary Scan	100
IDCODE	Device Identification	001

SAMPLE/PRELOAD

A mandatory instruction for the IEEE 1149.1 specification. This instruction supports two functions. The digital I/Os of the DS21Q42 can be sampled at the boundary scan register without interfering with the normal operation of the device by using the Capture-DR state. SAMPLE/PRELOAD also allows the DS21Q42 to shift data into the boundary scan register via JTDI using the Shift-DR state.

EXTEST

EXTEST allows testing of all interconnections to the DS21Q42. When the EXTEST instruction is latched in the instruction register, the following actions occur. Once enabled via the Update-IR state, the parallel outputs of all digital output pins will be driven. The boundary scan register will be connected between JTDI and JTDO. The Capture-DR will sample all digital inputs into the boundary scan register.

BYPASS

When the BYPASS instruction is latched into the parallel instruction register, JTDI connects to JTDO through the one-bit bypass test register. This allows data to pass from JTDI to JTDO not affecting the device's normal operation.

IDCODE

When the IDCODE instruction is latched into the parallel instruction register, the Identification Test register is selected. The device identification code will be loaded into the Identification register on the rising edge of JTCLK following entry into the Capture-DR state. Shift-DR can be used to shift the identification code out serially via JTDO. During Test-Logic-Reset, the identification code is forced into the instruction register's parallel output. The ID code will always have a '1' in the LSB position. The next 11 bits identify the manufacturer's JEDEC number and number of continuation bytes followed by 16 bits for the device and 4 bits for the version. See Table 19-2. Table 19-3 lists the device ID codes for the DS21Q42 and DS21Q44 devices.

ID Code Structure Table 19-2

	MSB			LSB
Contents	Version (Contact Factory)	Device ID (See Table 19-3)	JEDEC "00010100001"	"1"
Length	4 bits	16bits	11bits	1bit

Device ID Codes Table 19-3

DEVICE	16-BIT NUMBER
DS21Q42	0000h
DS21Q44	0001h

HIGH_Z

All digital outputs of the DS21Q42 will be placed in a high impedance state. The BYPASS register will be connected between JTDI and JTDO.

CLAMP

All digital outputs of the DS21Q42 will output data from the boundary scan parallel output while connecting the bypass register between JTDI and JTDO. The outputs will not change during the CLAMP instruction.

19.4 Test Registers

IEEE 1149.1 requires a minimum of two test registers; the bypass register and the boundary scan register. An optional test register has been included with the DS21Q42 design. This test register is the identification register and is used in conjunction with the IDCODE instruction and the Test-Logic-Reset state of the TAP controller.

Boundary Scan Register

This register contains both a shift register path and a latched parallel output for all control cells and digital I/O cells and is 126 bits in length. Table 17-3 shows all of the cell bit locations and definitions.

Bypass Register

This is a single one-bit shift register used in conjunction with the BYPASS, CLAMP, and HIGHZ instructions, which provides a short path between JTDI and JTDO.

Identification Register

The identification register contains a 32-bit shift register and a 32-bit latched parallel output. This register is selected during the IDCODE instruction and when the TAP controller is in the Test-Logic-Reset state.

Boundary Scan Register Description Table 19-4

DEVICE PIN	SCAN REGISTER BIT	SYMBOL	TYPE	CONTROL BIT DESCRIPTION
1	81	TCHBLK0	O	
2	80	TPOS0	O	
3	79	TNEG0	O	
4	78	RLINK0	O	
5	77	RLCLK0	O	
6	76	RCLK0	I	
7	75	RNEG0	I	
8	74	RPOS0	I	
9	73	RSIG0	O	
10	72	RCHBLK0	O	
11	71	RSYSCLK0	I	
-	70	RSYNC0.cntl	-	0 = RSYNCO an input I = RSYNCO an output
12	69	RSYNC0	I/O	
13	68	RSER0	O	
14	-	VSS	-	
15	-	VDD	-	
16	67	SPARE1	-	
17	66	RFSYNCO	O	
18	-	JTRST*	I	
19	65	TCLK0	I	
20	64	TLCLK0	O	
-	63	TSYNC0.cntl	-	0 = TSYNCO an input I = TSYNCO an output
21	62	TSYNC0	I/O	
22	61	TLINK0	I	
23	60	A0	I	
24	59	A1	I	
25	58	A2	I	
26	57	A3	I	
27	56	A4	I	
28	55	A5	I	
29	54	A6/ALE (AS)	I	
30	53	INT*	O	
31	52	TSYSCLK1	I	
32	51	TSER1	I	
33	50	TSSYNC1	I	
34	49	TSIG1	I	
35	48	TCHBLK1	O	
36	47	TPOS1	O	
37	46	TNEG1	O	
38	45	RLINK1	O	
39	44	RLCLK1	O	
40	43	RCLK1	I	

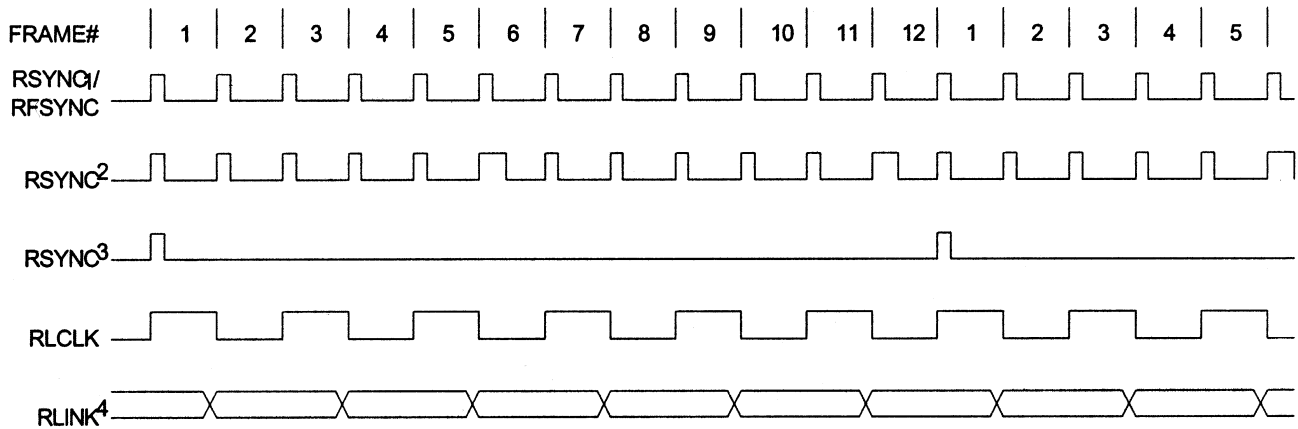
DEVICE PIN	SCAN REGISTER BIT	SYMBOL	TYPE	CONTROL BIT DESCRIPTION
41	42	RNEG1	I	
42	41	RPOS1	I	
43	40	RSIG1	O	
44	39	RCHBLK1	O	
45	38	RSYSCLK1	I	
46	37	A7	I	
47	36	FMS	I	
-	35	RSYNC1.cntl	-	0 = RSYNC1 an input I = RSYNC1 an output
48	34	RSYNC1	I/O	
49	33	RSER1	O	
50	-	JTMS	I	
51	32	RFSYNC1	O	
52	-	JTCLK	I	
53	31	TCLK1	I	
54	30	TLCLK1	O	
-	29	TSYNC1.cntl	-	0 = TSYNC1 an input I = TSYNC1 an output
55	28	TSYNC1	I/O	
56	27	TLINK1	I	
57	26	TEST	I	
58	25	FS0	I	
59	24	FS1	I	
60	23	CS*	I	
61	22	BTS	I	
62	21	RD*/(DS*)	I	
63	20	WR*/(R/W*)	I	
64	19	MUX	I	
65	18	TSYSCLK2	I	
66	17	TSER2	I	
67	16	TSSYNC2	I	
68	15	TSIG2	I	
69	14	TCHBLK2	O	
70	13	TPOS2	O	
71	12	TNEG2	O	
72	11	RLINK2	O	
73	10	RLCLK2	O	
74	9	RCLK2	I	
75	8	RNEG2	I	
76	7	RPOS2	I	
77	6	RSIG2	O	
78	-	VSS	-79	
79	-	VDD	-	
80	5	RCHBLK2	O	
81	4	RSYSCLK2	I	
-	3	RSYNC2.cntl	-	0 = RSYNC2 an input

DEVICE PIN	SCAN REGISTER BIT	SYMBOL	TYPE	CONTROL BIT DESCRIPTION
				I = RSYNC2 an output
82	2	RSYNC2	I/O	
83	1	RSER2	O	
84	-	JTDI	I	
85	0	RFSYNC2	O	
86	-	JTDO	O	
87	125	TCLK2	I	
88	124	TLCLK2	O	
-	123	TSYNC2.cntl	-	0 = TSYNC2 an input I = TSYNC2 an output
89	122	TSYNC2	I/O	
90	121	TLINK2	I	
91	120	TSYSCLK3	I	
92	119	TSER3	I	
93	118	TSSYNC3	I	
94	117	TSIG3	I	
95	116	TCHBLK3	O	
96	115	TPOS3	O	
97	114	TNEG3	O	
98	113	RLINK3	O	
99	112	RLCLK3	O	
100	111	RCLK3	I	
101	110	RNEG3	I	
102	109	RPOS3	I	
103	108	RSIG3	O	
104	107	RCHBLK3	O	
105	106	RSYSCLK3	I	
-	105	RSYNC3.cntl	-	0 = RSYNC3 an input I = RSYNC3 an output
106	104	RSYNC3	I/O	
107	103	RSER3	O	
108	102	8MCLK	O	
109	101	RFSYNC3	O	
110	-	VSS	-	
111	-	VDD	-	
112	100	CLKSI	I	
113	99	TCLK3	I	
114	98	TLCLK3	O	
-	97	TSYNC3.cntl	-	0 = TSYNC3 an input I = TSYNC3 an output
115	96	TSYNC3	I/O	
116	95	TLINK3	I	
-	94	BUS.cntl	-	0 = D0-D7 or AD0-AD7 are inputs I = D0-D7 or AD0-AD7 are outputs
117	93	D0 or AD0	I/O	
118	92	D1 or AD1	I/O	

DEVICE PIN	SCAN REGISTER BIT	SYMBOL	TYPE	CONTROL BIT DESCRIPTION
119	91	D2 or AD2	I/O	
120	90	D3 or AD3	I/O	
121	89	D4 or AD4	I/O	
122	88	D5 or AD5	I/O	
123	87	D6 or AD6	I/O	
124	86	D7 or AD7	I/O	
125	85	TSYSCLK0	I	
126	84	TSER0	I	
127	83	TSSYNC0	I	
128	82	TSIG0	I	

20. TIMING DIAGRAMS

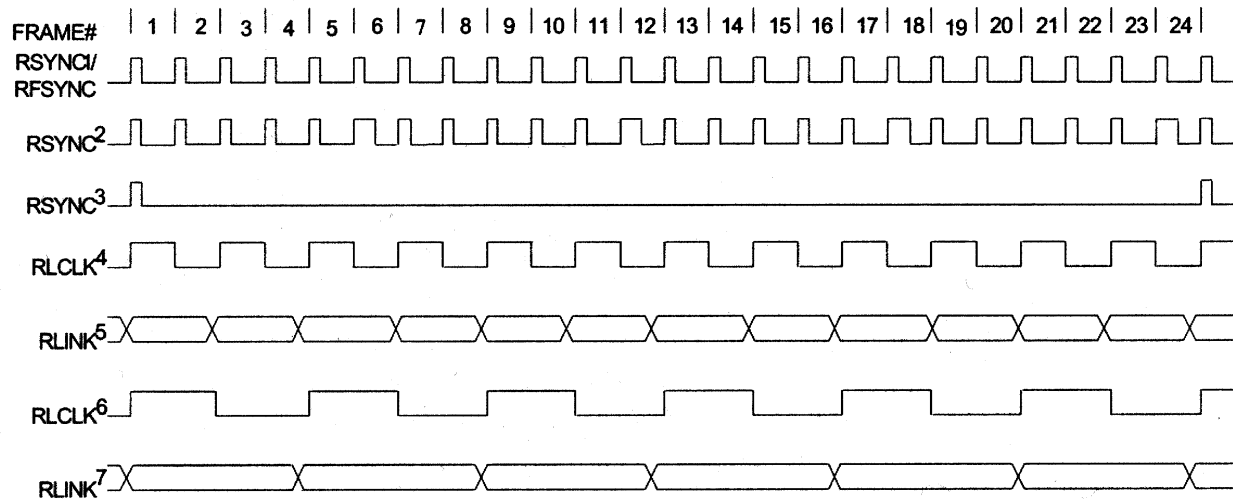
RECEIVE SIDE D4 TIMING Figure 20-1



Notes:

1. RSYNC in the frame mode (RCR2.4 = 0) and double-wide frame sync is not enabled (RCR2.5 = 0)
2. RSYNC in the frame mode (RCR2.4 = 0) and double-wide frame sync is enabled (RCR2.5 = 1)
3. RSYNC in the multiframe mode (RCR2.4 = 1)
4. RLINK data (Fs - bits) is updated one bit prior to even frames and held for two frames
5. RLINK and RLCLK are not synchronous with RSYNC when the receive side elastic store is enabled

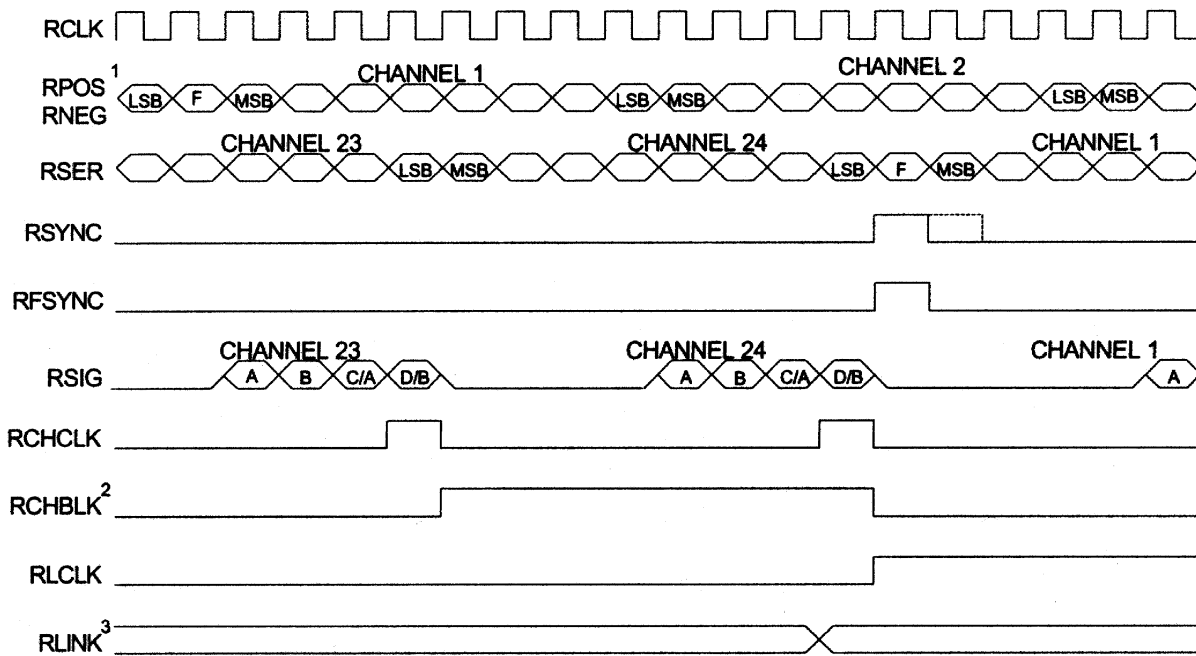
RECEIVE SIDE ESF TIMING Figure 20-2



Notes:

1. RSYNC in the frame mode (RCR2.4 = 0) and double-wide frame sync is not enabled (RCR2.5 = 0)
2. RSYNC in the frame mode (RCR2.4 = 0) and double-wide frame sync is enabled (RCR2.5 = 1)
3. RSYNC in the multiframe mode (RCR2.4 = 1)
4. ZBTSI mode disabled (RCR2.6 = 0)
5. RLINK data (FDL bits) is updated one bit time before odd frames and held for two frames
6. ZBTSI mode is enabled (RCR2.6 = 1)
7. RLINK data (Z bits) is updated one bit time before odd frames and held for four frames
8. RLINK and RLCLK are not synchronous with RSYNC when the receive side elastic store is enabled

RECEIVE SIDE BOUNDARY TIMING (with elastic store disabled) Figure 20-3

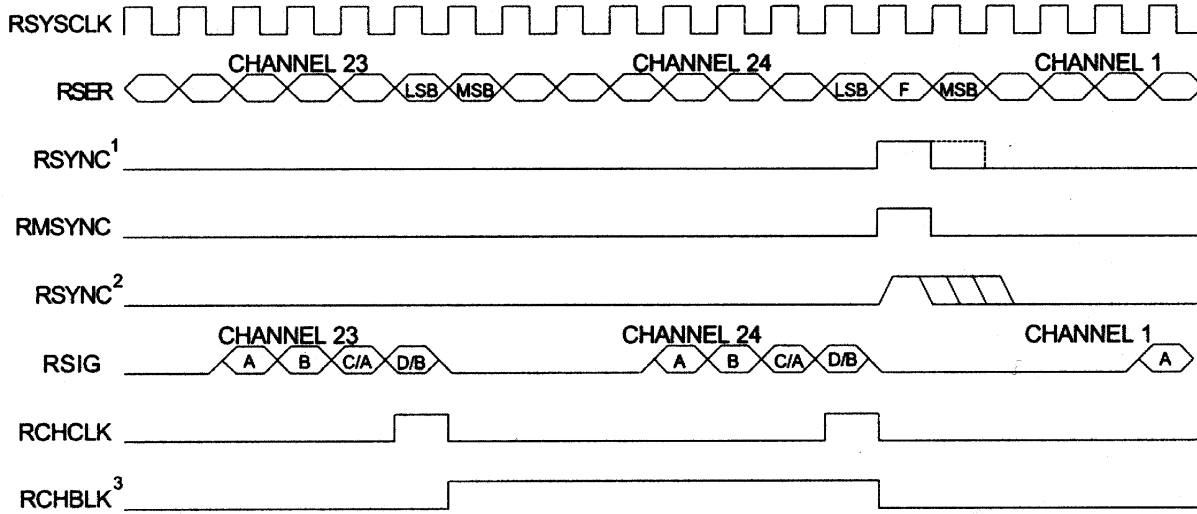


Notes:

1. There is a 13 RCLK delay from RPOS/RNEG to RSER.
2. RCHBLK is programmed to block channel 24.
3. Shown is RLINK/RLCLK in the ESF framing mode.

RECEIVE SIDE 1.544 MHz BOUNDARY TIMING (with elastic store enabled)

Figure 20-4

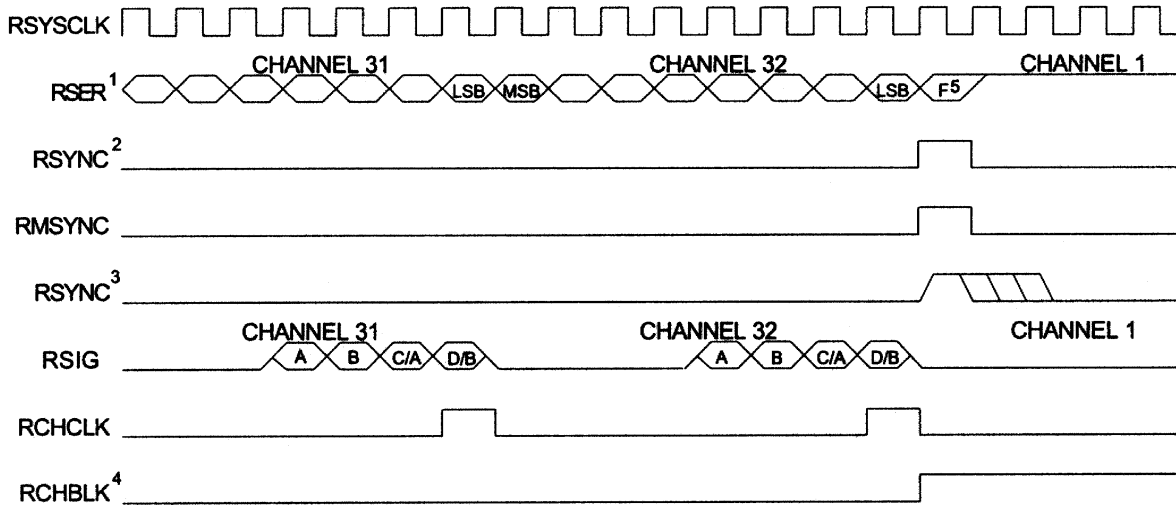


Notes:

1. RSYNC is in the output mode (RCR2.3 = 0)
2. RSYNC is in the input mode (RCR2.3 = 1)
3. RCHBLK is programmed to block channel 24

RECEIVE SIDE 2.048 MHz BOUNDARY TIMING (with elastic store enabled)

Figure 20-5

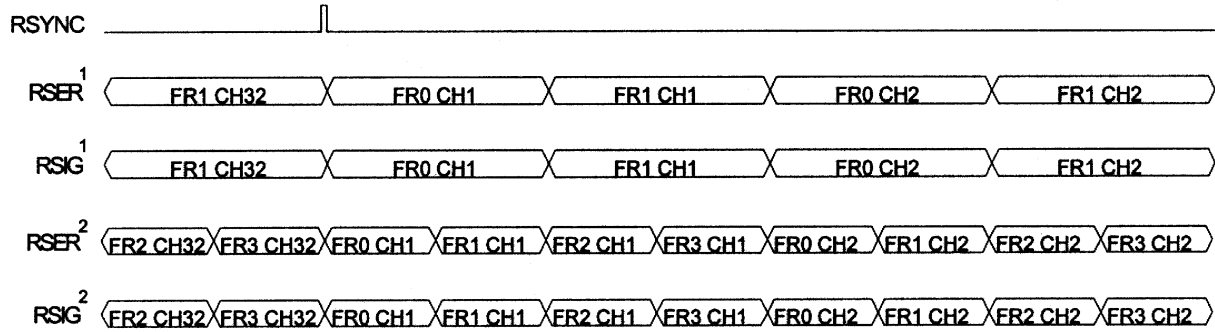


Notes:

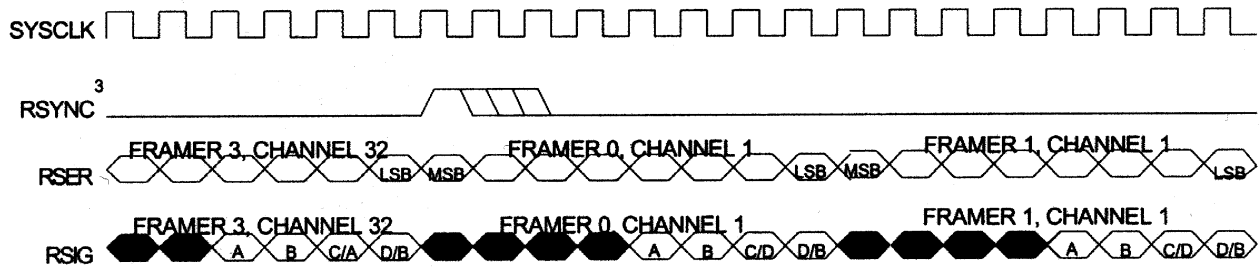
1. RSER data in channels 1, 5, 9, 13, 17, 21, 25, and 29 are forced to one
2. RSYNC is in the output mode (RCR2.3 = 0)
3. RSYNC is in the input mode (RCR2.3 = 1)
4. RCHBLK is forced to one in the same channels as RSER (see Note 1)
5. The F-Bit position is passed through the receive side elastic store and occupies the MSB position of channel 1.

RECEIVE SIDE INTERLEAVED BUS OPERATION BYTE MODE TIMING

Figure 20-6



BIT DETAIL

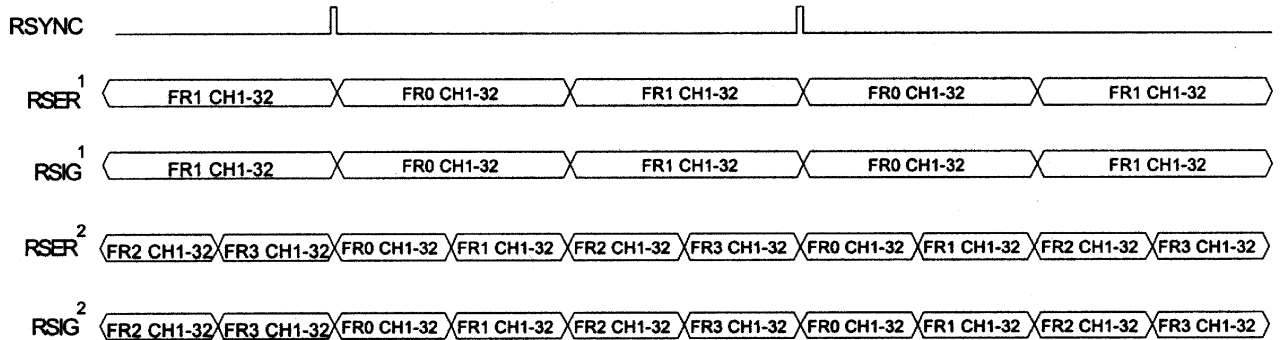


Notes:

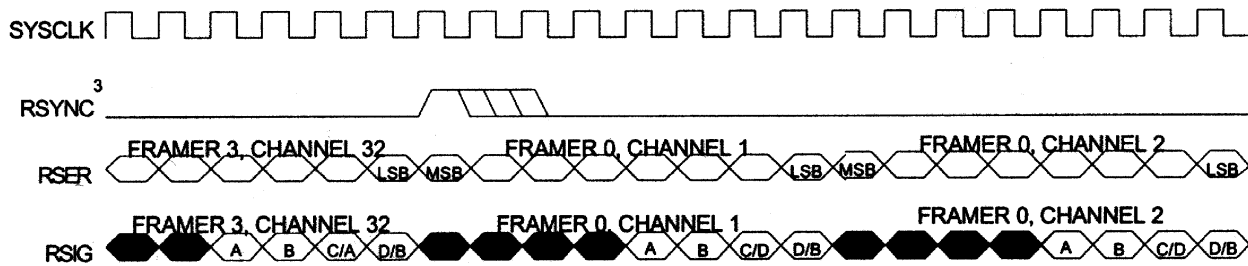
1. 4.096 MHz bus configuration.
2. 8.192 MHz bus configuration.
3. RSYNC is in the input mode (RCR2.3 = 1).

RECEIVE SIDE INTERLEAVED BUS OPERATION FRAME MODE TIMING

Figure 20-7



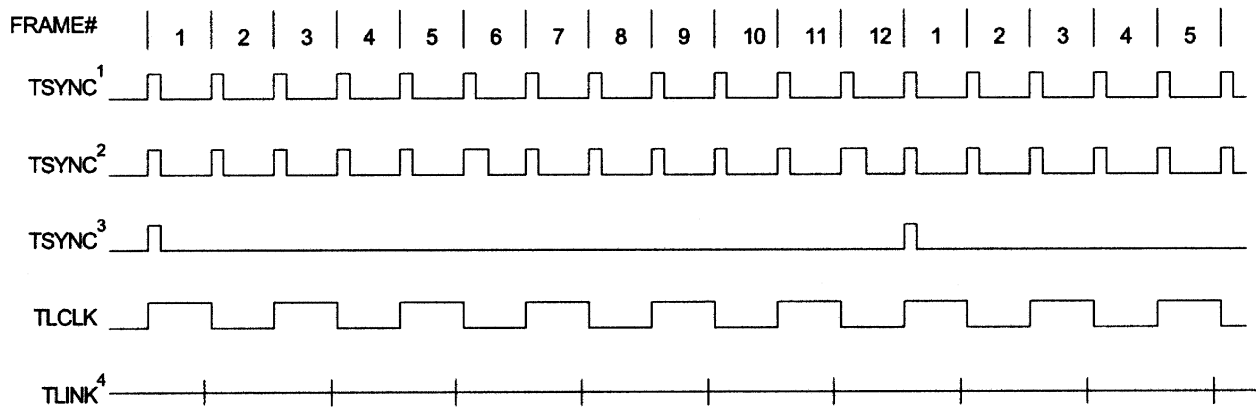
BIT DETAIL



Notes:

1. 4.096 MHz bus configuration.
2. 8.192 MHz bus configuration.
3. RSYNC is in the input mode (RCR2.3 = 1).

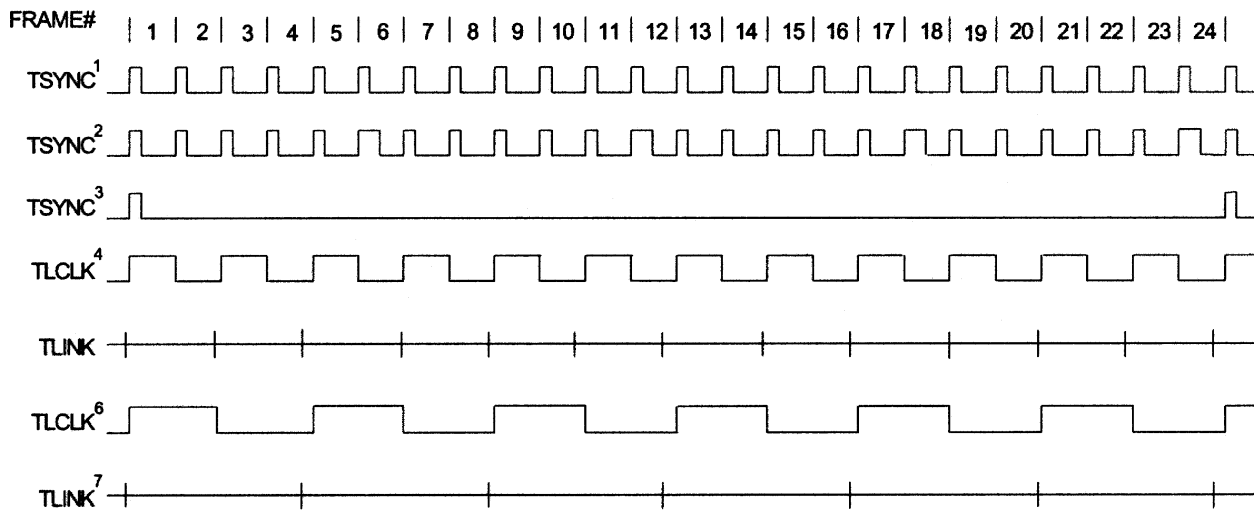
TRANSMIT SIDE D4 TIMING Figure 20-8



Notes:

1. TSYNC in the frame mode (TCR2.3 = 0) and double-wide frame sync is not enabled (TCR2.4 = 0)
2. TSYNC in the frame mode (TCR2.3 = 0) and double-wide frame sync is enabled (TCR2.4 = 1)
3. TSYNC in the multiframe mode (TCR2.3 = 1)
4. TLINK data (F_s - bits) is sampled during the F-bit position of even frames for insertion into the outgoing T1 stream when enabled via TCR1.2
5. TLINK and TLCLK are not synchronous with TFSYNC

TRANSMIT SIDE ESF TIMING Figure 20-9

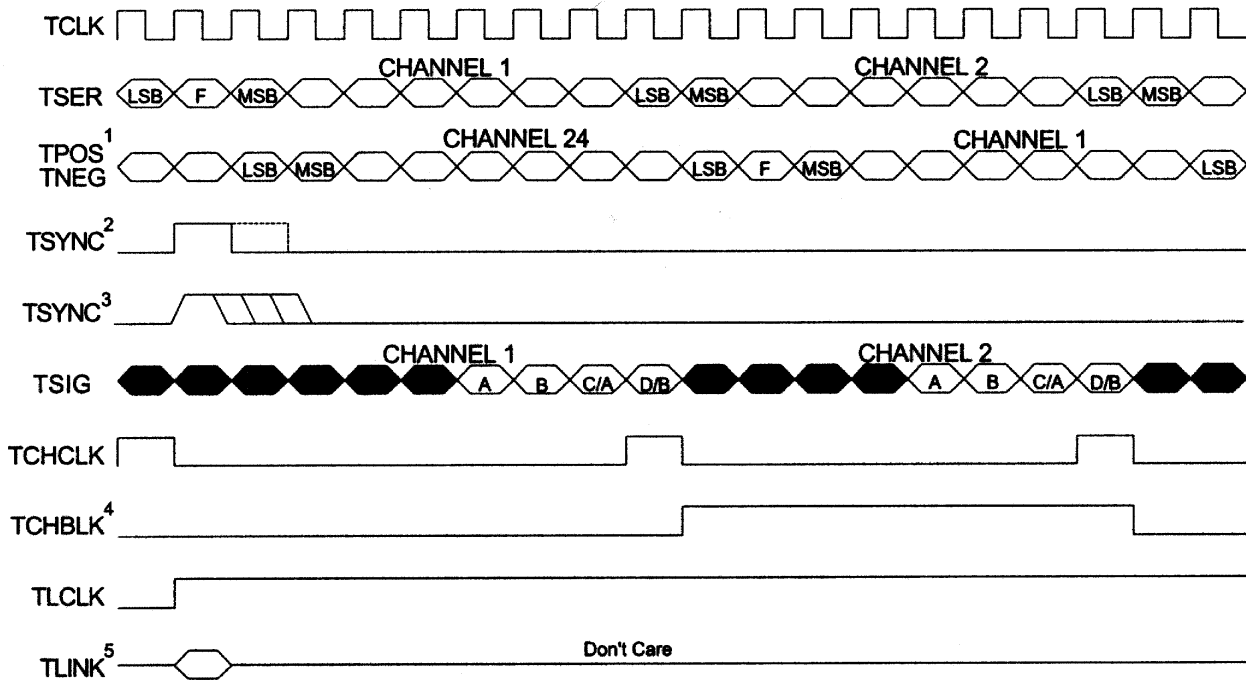


Notes:

1. TSYNC in the frame mode (TCR2.3 = 0) and double-wide frame sync is not enabled (TCR2.4 = 0)
2. TSYNC in the frame mode (TCR2.3 = 0) and double-wide frame sync is enabled (TCR2.4 = 1)
3. TSYNC in the multiframe mode (TCR2.3 = 1)
4. ZBTISI mode disabled (TCR2.5 = 0)
5. TLINK data (FDL bits) is sampled during the F-bit time of odd frame and inserted into the outgoing T1 stream if enabled via TCR1.2
6. ZBTISI mode is enabled (TCR2.5 = 1)
7. TLINK data (Z bits) is sampled during the F-bit time of frames 1, 5, 9, 13, 17, and 21 and inserted into the outgoing stream if enabled via TCR1.2
8. TLINK and TLCLK are not synchronous with TFSYNC

TRANSMIT SIDE BOUNDARY TIMING (with elastic store disabled)

Figure 20-10

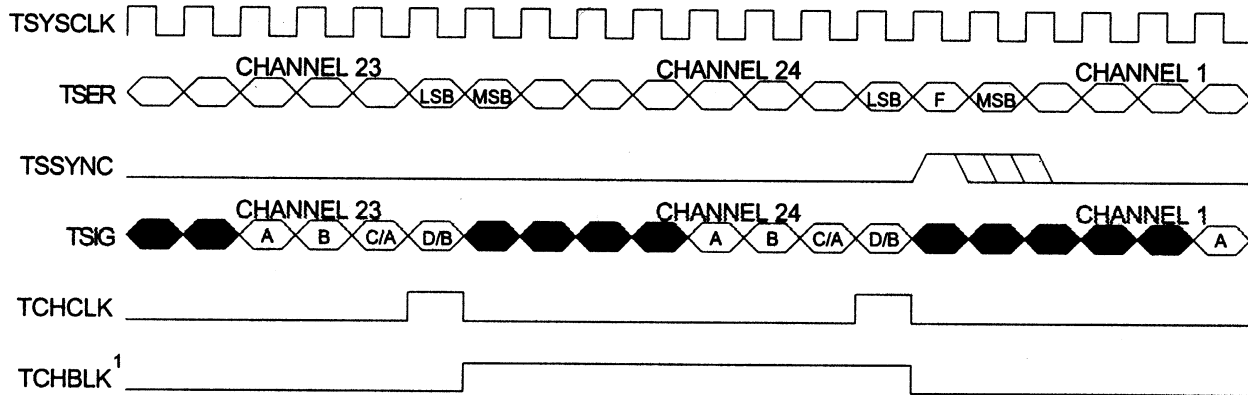


Notes:

1. There is a 10 TCLK delay from TSER to TPOS/TNEG.
2. TSYNC is in the output mode (TCR2.2 = 1)
3. TSYNC is in the input mode (TCR2.2 = 0)
4. TCHBLK is programmed to block channel 2
5. Shown is TLINK/TLCLK in the ESF framing mode

TRANSMIT SIDE 1.544 MHz BOUNDARY TIMING (with elastic store enabled)

Figure 20-11

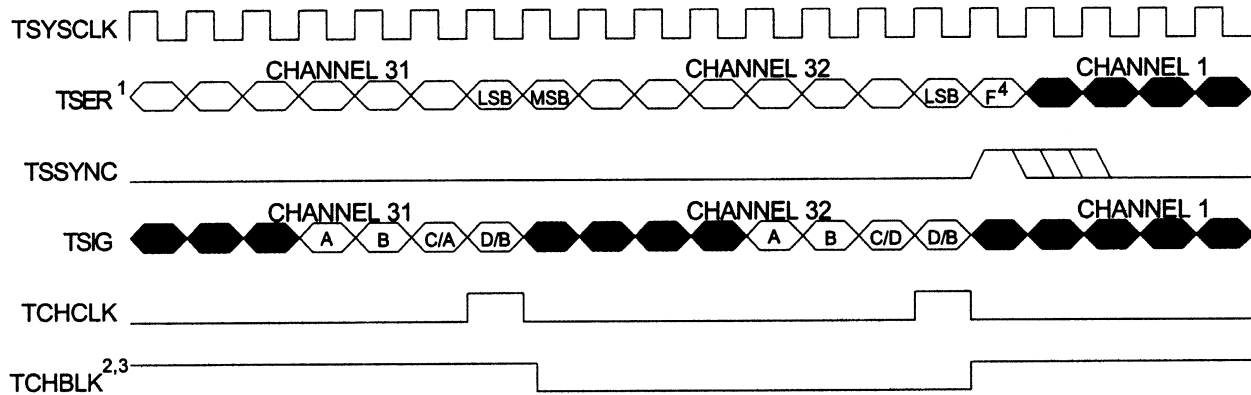


Note:

1. TCHBLK is programmed to block channel 24 (if the TPCSI bit is set, then the signaling data at TSIG will be ignored during channel 24).

TRANSMIT SIDE 2.048 MHz BOUNDARY TIMING (with elastic store enabled)

Figure 20-12

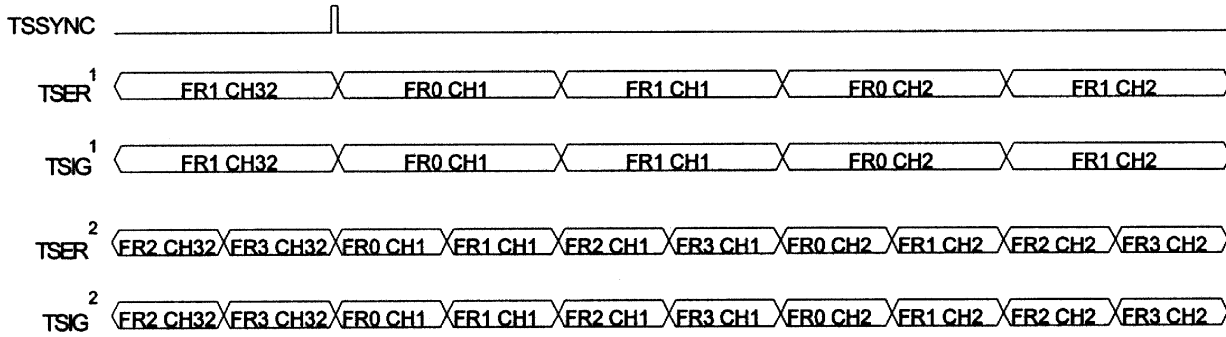


Notes:

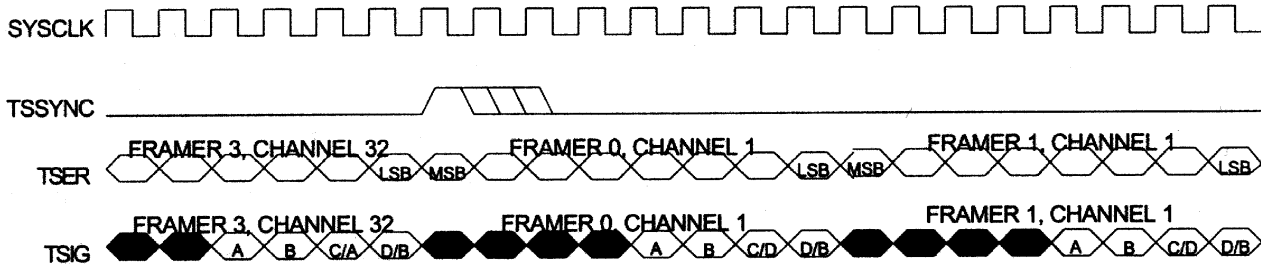
1. TSER data in channels 1, 5, 9, 13, 17, 21, 25, and 29 is ignored
2. TCHBLK is programmed to block channel 31 (if the TPCSI bit is set, then the signaling data at TSIG will be ignored).
3. TCHBLK is forced to one in the same channels as TSER is ignored (see Note 1)
4. The F-bit position (MSB position of channel 1) for the T1 frame is sampled and passed through the transmit side elastic store (normally the transmit side formatter overwrites the F-bit position unless the formatter is programmed to pass-through the F-bit position)

TRANSMIT SIDE INTERLEAVED BUS OPERATION BYTE MODE TIMING

Figure 20-13



BIT DETAIL

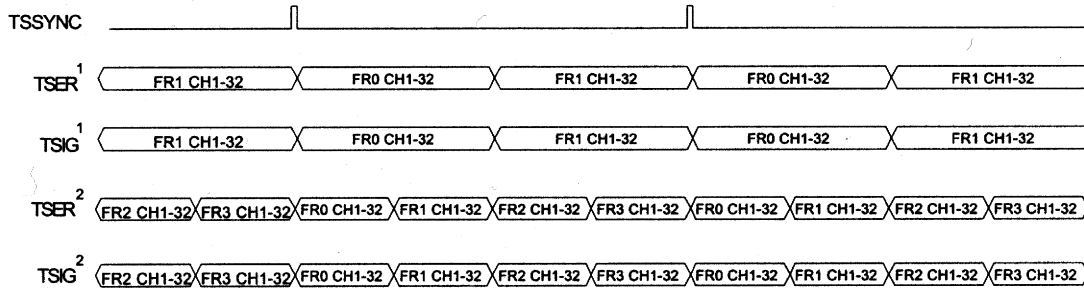


Notes:

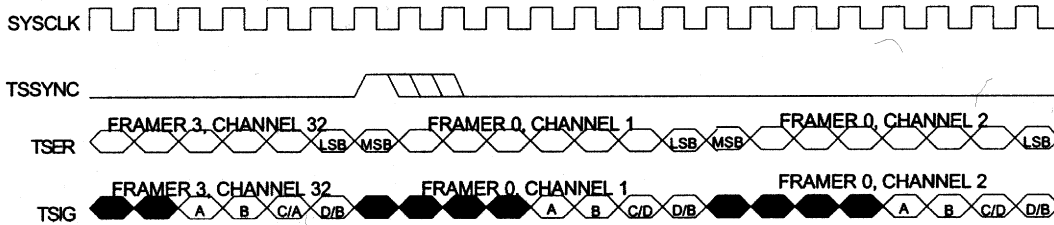
1. 4.096 MHz bus configuration.
2. 8.192 MHz bus configuration.

TRANSMIT SIDE INTERLEAVED BUS OPERATION FRAME MODE TIMING

Figure 20-14



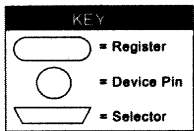
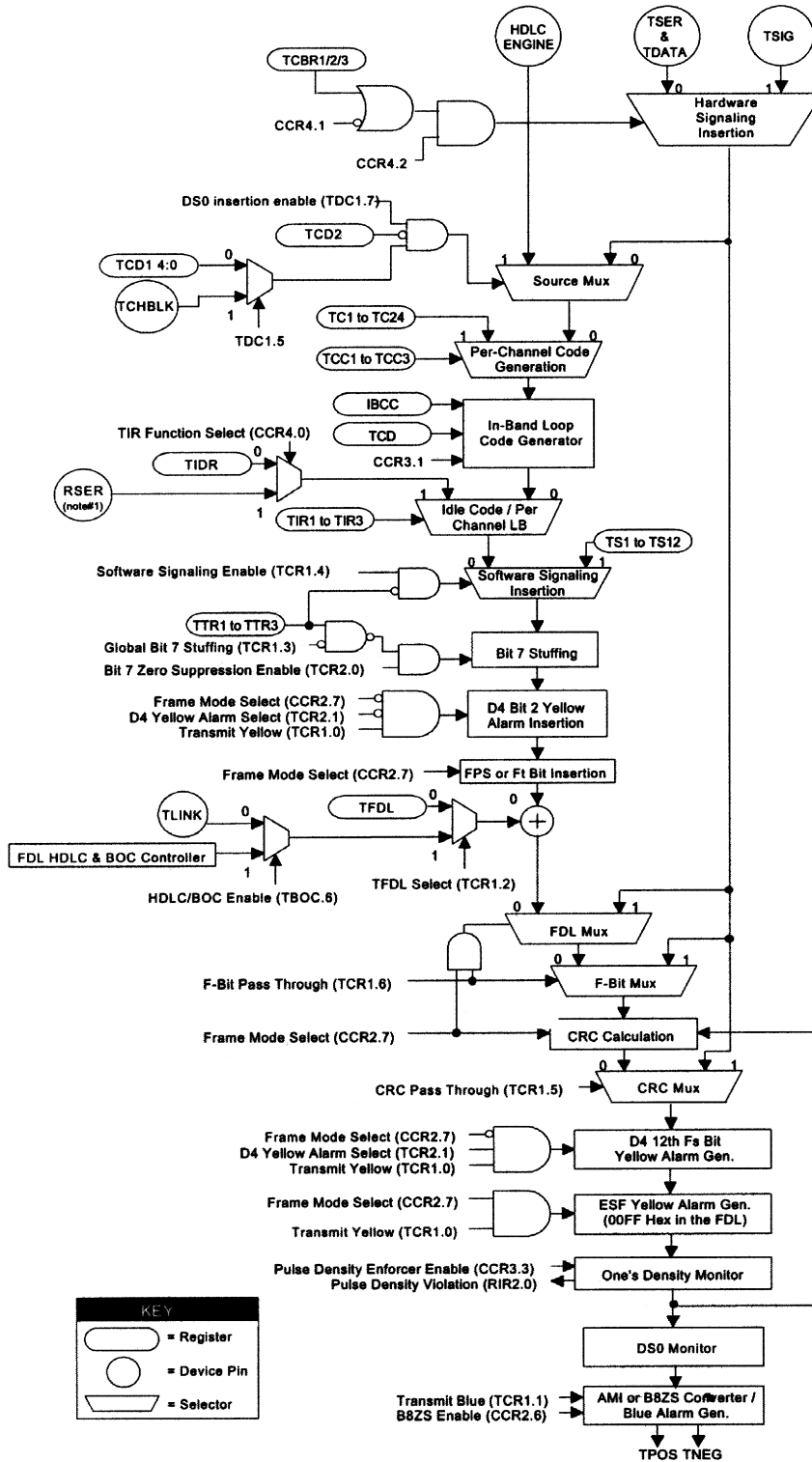
BIT DETAIL



Notes:

1. 4.096 MHz bus configuration.
2. 8.192 MHz bus configuration.

DS21Q42 TRANSMIT DATA FLOW Figure 20-15



Notes:

1. TCLK should be tied to RCLK and TSYNC should be tied to RFSYNC for data to be properly sourced from RSER.

21. OPERATING PARAMETERS

ABSOLUTE MAXIMUM RATINGS*

Voltage on Any Non-Supply Pin Relative to Ground	-1.0V to +5.5V
Supply Voltage	-0.3V to +3.63V
Operating Temperature for DS21Q42T	0°C to 70°C
Operating Temperature for DS21Q42TN	-40°C to +85°C
Storage Temperature	-55°C to +125°C

* This is a stress rating only and functional operation of the device at these or any other conditions above those indicated in the operation sections of this specification is not implied. Exposure to absolute maximum rating conditions for extended periods of time may affect reliability.

RECOMMENDED DC OPERATING CONDITIONS

(0°C to 70°C for DS21Q42T;
0°C to +85°C for DS21Q42TN)

PARAMETER	SYMBOL	MIN	TYP	MAX	UNITS	NOTES
Logic 1	V _{IH}	2.0		5.5	V	
Logic 1	V _{IL}	-0.3		+0.8	V	
Supply	V _{DD}	2.97		3.63	V	

CAPACITANCE

(t_A = 25°C)

PARAMETER	SYMBOL	MIN	TYP	MAX	UNITS	NOTES
Input Capacitance	C _{IN}		5		pF	
Output Capacitance	C _{OUT}		7		pF	

DC CHARACTERISTICS

(0°C to 70°C; V_{DD} = 2.97 to 3.63V for DS21Q42T;
-40°C to +85°C; V_{DD} = 2.97 to 3.63V for DS21Q42TN)

PARAMETER	SYMBOL	MIN	TYP	MAX	UNITS	NOTES
Supply Current @ 3.3V	I _{DD}		75		mA	1
Input Leakage	I _{IL}	-1.0		+1.0	μA	2
Output Leakage	I _{LO}			1.0	μA	3
Output Current (2.4V)	I _{OH}	-1.0			mA	
Output Current (0.4V)	I _{OL}	+4.0			mA	

Notes:

1. TCLK=RCLK=TSYSCLK=RSYSCLK=1.544 MHz; outputs open circuited.
2. 0.0V < V_{IN} < V_{DD}.
3. Applied to INT* when 3-stated.

AC CHARACTERISTICS–**MULTIPLEXED PARALLEL PORT (MUX=1)****(0°C to 70°C; VDD = 2.97 to 3.63V for DS21Q42T****– 40°C to +85°C; VDD = 2.97 to 3.63V for DS21Q42TN)**

PARAMETER	SYMBOL	MIN	TYP	MAX	UNITS	NOTES
Cycle Time	t_{CYC}	200			ns	
Pulse Width, DS low or RD*high	PW_{EL}	100			ns	
Pulse Width, DS high or RD* low	PW_{EH}	100			ns	
Input Rise/Fall times	t_R, t_F		20		ns	
R/W* Hold Time	t_{RWH}	10			ns	
R/W* Set Up time before DS high	t_{RWS}	50			ns	
CS*, FSO or FS1 Set Up time before DS, WR* or RD* active	t_{CS}	20			ns	
CS*, FSO or FS1 Hold time	t_{CH}	0			ns	
Read Data Hold time	t_{DHR}	10	50		ns	
Write Data Hold time	t_{DHW}	0			ns	
Muxed Address valid to AS or ALE fall	t_{ASL}	15			ns	
Muxed Address Hold time	t_{AHL}	10			ns	
Delay time DS, WR* or RD* to AS or ALE rise	t_{ASD}	20			ns	
Pulse Width AS or ALE high	PW_{ASH}	30			ns	
Delay time, AS or ALE to DS, WR* or RD*	t_{ASED}	10			ns	
Output Data Delay time from DS or RD*	t_{DDR}	20		80	ns	
Data Set Up time	t_{DSW}	50			ns	

(see Figures 21-1 to 21-3 for details)

AC CHARACTERISTICS –**NON-MULTIPLEXED PARALLEL PORT (MUX=0)**

**(0°C to 70°C; VDD = 2.97 to 3.63V for DS21Q42T;
–40°C to +85°C; VDD = 2.97 to 3.63V for 21Q42TN)**

PARAMETER	SYMBOL	MIN	TYP	MAX	UNITS	NOTES
Set Up Time for A0 to A7, FS0 or FS1 Valid to CS* Active	t1	0			ns	
Set Up Time for CS* Active to either RD*, WR*, or DS* Active	t2	0			ns	
Delay Time from either RD* or DS* Active to Data Valid	t3			75	ns	
Hold Time from either RD*, WR*, or DS* Inactive to CS* Inactive	t4	0			ns	
Hold Time from CS* Inactive to Data Bus 3–state	t5	5		20	ns	
Wait Time from either WR* or DS* Active to Latch Data	t6	75			ns	
Data Set Up Time to either WR* or DS* Inactive	t7	10			ns	
Data Hold Time from either WR* or DS* Inactive	t8	10			ns	
Address Hold from either WR* or DS* inactive	t9	10			ns	

See Figures 21–4 to 21–7 for details.

AC CHARACTERISTICS – RECEIVE SIDE

(0°C to 70°C; VDD = 2.97 to 3.63V for DS21Q42T;
 –40°C to +85°C; VDD = 2.97 to 3.63V for DS21Q42TN)

PARAMETER	SYMBOL	MIN	TYP	MAX	UNITS	NOTES
RCLK Period	t_{CP}		648		ns	
RCLK Pulse Width	t_{CH}	75			ns	
	t_{CL}	75			ns	
RSYSCLK Period	t_{SP}	122	648		ns	1
	t_{SP}	122	488		ns	2
RSYSCLK Pulse Width	t_{SH}	t_{SL}	50		ns	
			50		ns	
RSYNC Set Up to RSYSCLK Falling	t_{SU}	20		$t_{SH} - 5$	ns	
RSYNC Pulse Width	t_{PW}	50			ns	
RPOS/RNEG Set UP to RCLK Falling	t_{SU}	20			ns	
RPOS/RNEG Hold From RCLK Falling	t_{HD}	20			ns	
RSYSCLK/RCLK Rise and Fall Times	t_R, t_F			25	ns	
Delay RCLK to RSER, RSIG, RLINK Valid	t_{D1}			50	ns	
Delay RCLK to RCHCLK, RSYNC, RCHBLK, RFSYNC, RLCLK	t_{D2}			50	ns	
Delay RSYSCLK to RSER, RSIG Valid	t_{D3}			50	ns	
Delay RSYSCLK to RCHCLK, RCHBLK, RMSYNC, RSYNC	t_{D4}			50	ns	

See Figures 21-8 to 21-10 for details.

Notes:

1. RSYSCLK = 1.544 MHz.
2. RSYSCLK = 2.048 MHz.

AC CHARACTERISTICS – TRANSMIT SIDE

(0°C to 70°C; VDD = 2.97 to 3.63V for DS21Q42T;
 –40°C to +85°C; VDD = 2.97 to 3.63V for DS21Q42TN)

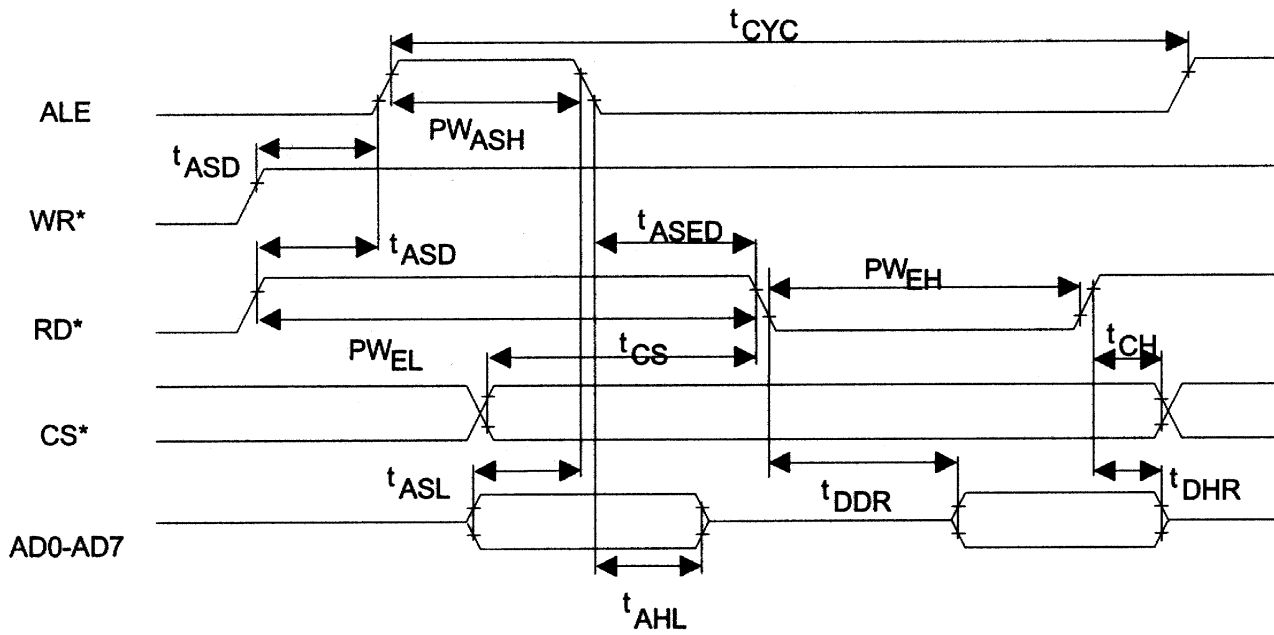
PARAMETER	SYMBOL	MIN	TYP	MAX	UNITS	NOTES
TCLK Period	t_{CP}		648		ns	
TCLK Pulse Width	t_{CH}	75			ns	
	t_{CL}	75			ns	
TCLKI Pulse Width	t_{LH}	75			ns	
	t_{LL}	75			ns	
TSYSCLK Period	t_{SP}	122	648		ns	1
	t_{SP}	122	448		ns	2
TSYSCLK Pulse Width	t_{SH}	50			ns	
	t_{SL}	50			ns	
TSYNC or TSSYNC Set Up to TCLK or TSYSCLK falling	t_{SU}	20		$t_{CH} - 5$ or $t_{SH} - 5$	ns	
TSYNC or TSSYNC Pulse Width	t_{PW}	50			ns	
TSER, TSIG, TLINK Set Up to TCLK, TSYSCLK Falling	t_{SU}	20			ns	
TSER, TSIG, TLINK Hold from TCLK, TSYSCLK Falling	t_{HD}	20			ns	
TCLK or TSYSCLK Rise and Fall Times	t_R, t_F			25	ns	
Delay TCLK to TPOS, TNEG Valid	t_{DD}			50	ns	
Delay TCLK to TCHBLK, TCHBLK, TSYNC, TLCLK	t_{D2}			50	ns	
Delay TSYSCLK to TCHCLK, TCHBLK	t_{D3}			75	ns	

See Figures 21–11 to 21–13 for details.

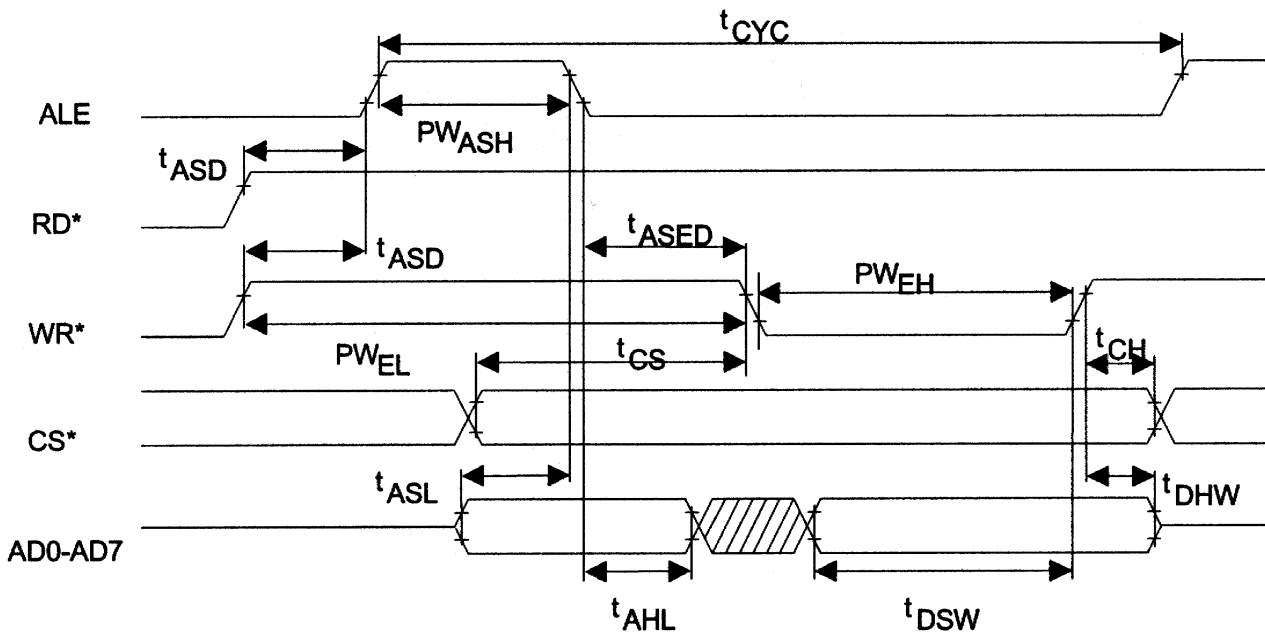
Notes:

1. TSYSCLK = 1.544 MHz.
2. TSYSCLK = 2.048 MHz.

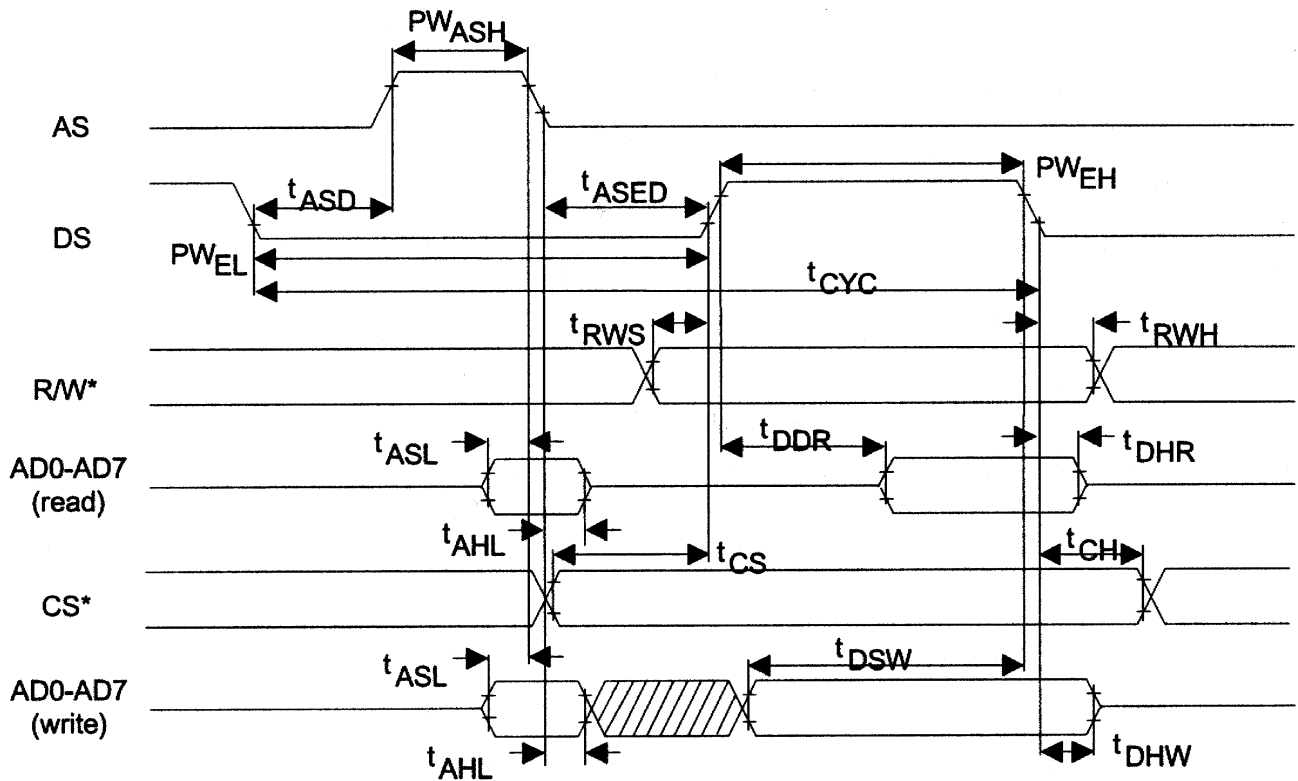
INTEL BUS READ AC TIMING (BTS=0 / MUX = 1) Figure 21-1



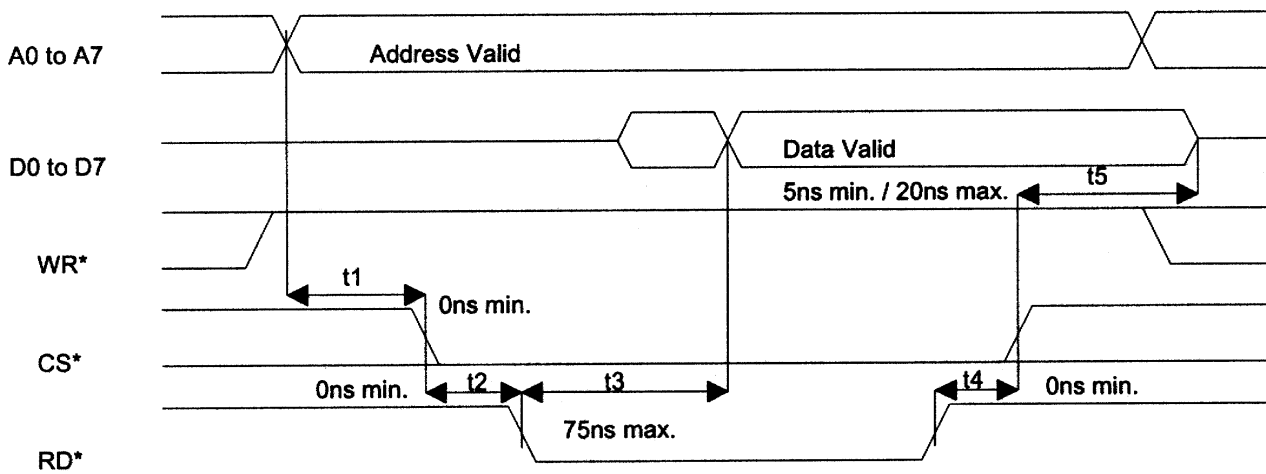
INTEL BUS WRITE TIMING (BTS=0 / MUX=1) Figure 21-2



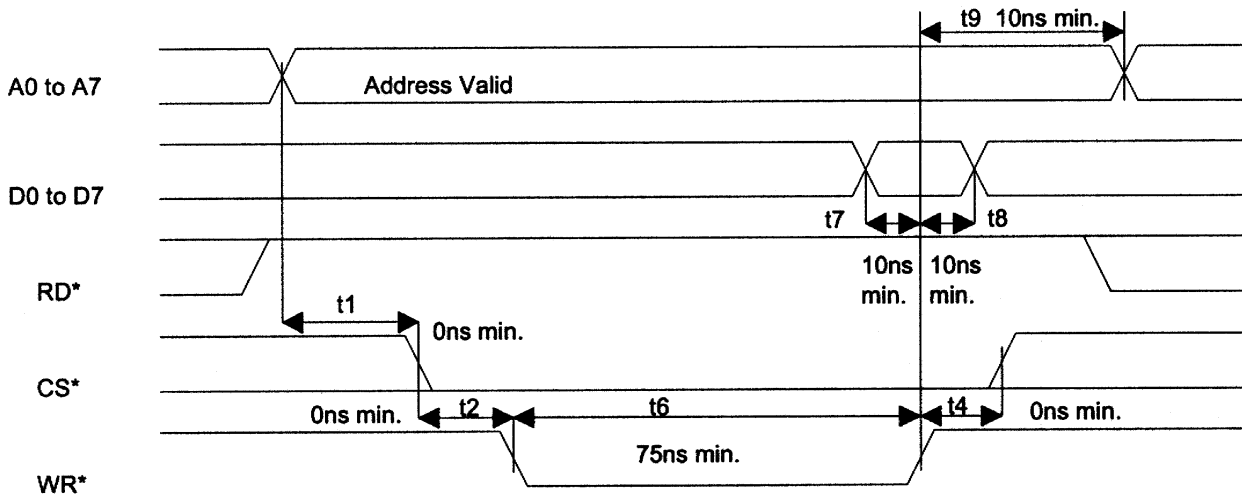
MOTOROLA BUS AC TIMING (BTS = 1 / MUX = 1) Figure 21-3



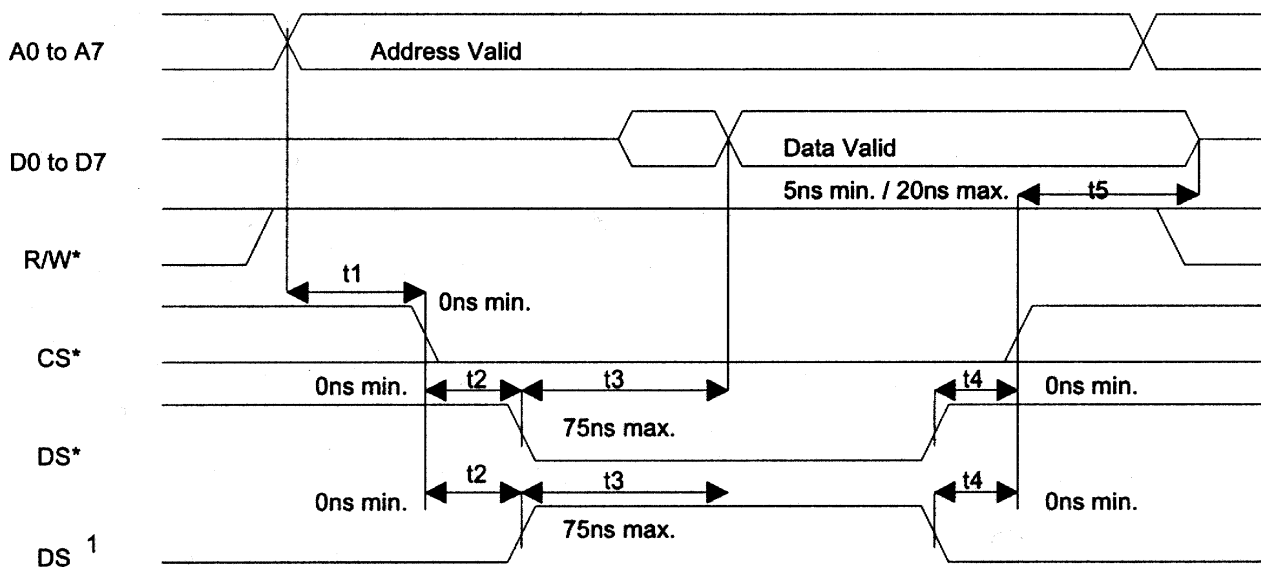
INTEL BUS READ AC TIMING (BTS=0 / MUX=0) Figure 21-4



INTEL BUS WRITE AC TIMING (BTS=0 / MUX=0) Figure 21-5



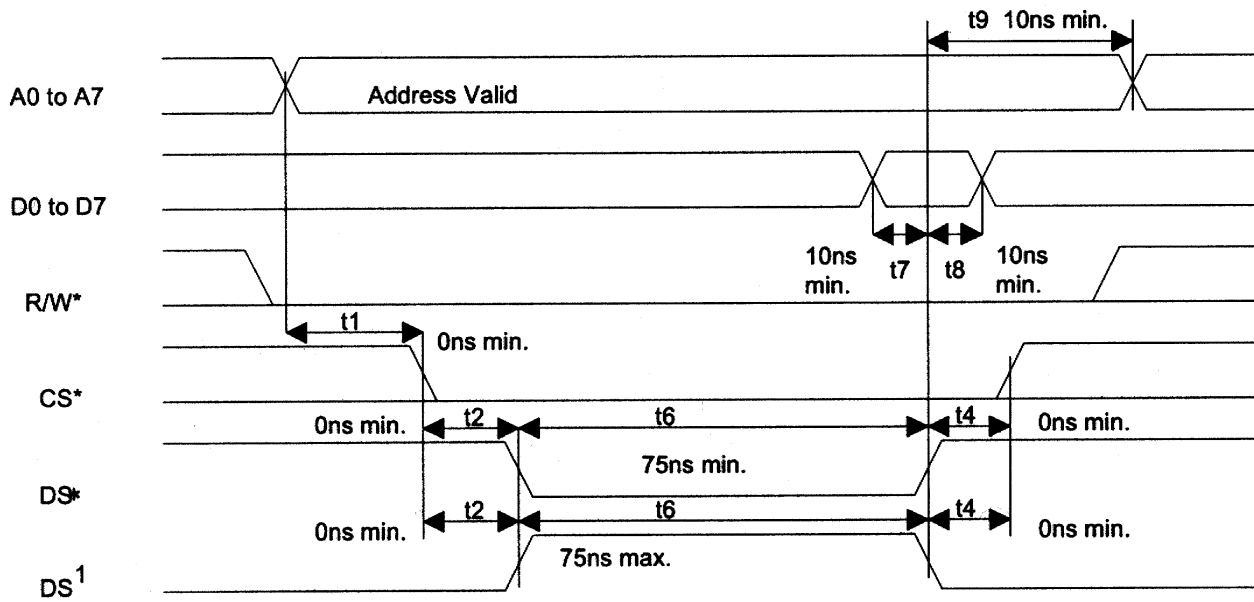
MOTOROLA BUS READ AC TIMING (BTS=1 / MUX=0) Figure 21-6



Note:

1. The signal DS is active high when emulating the DS21Q41 (FMS = 1).

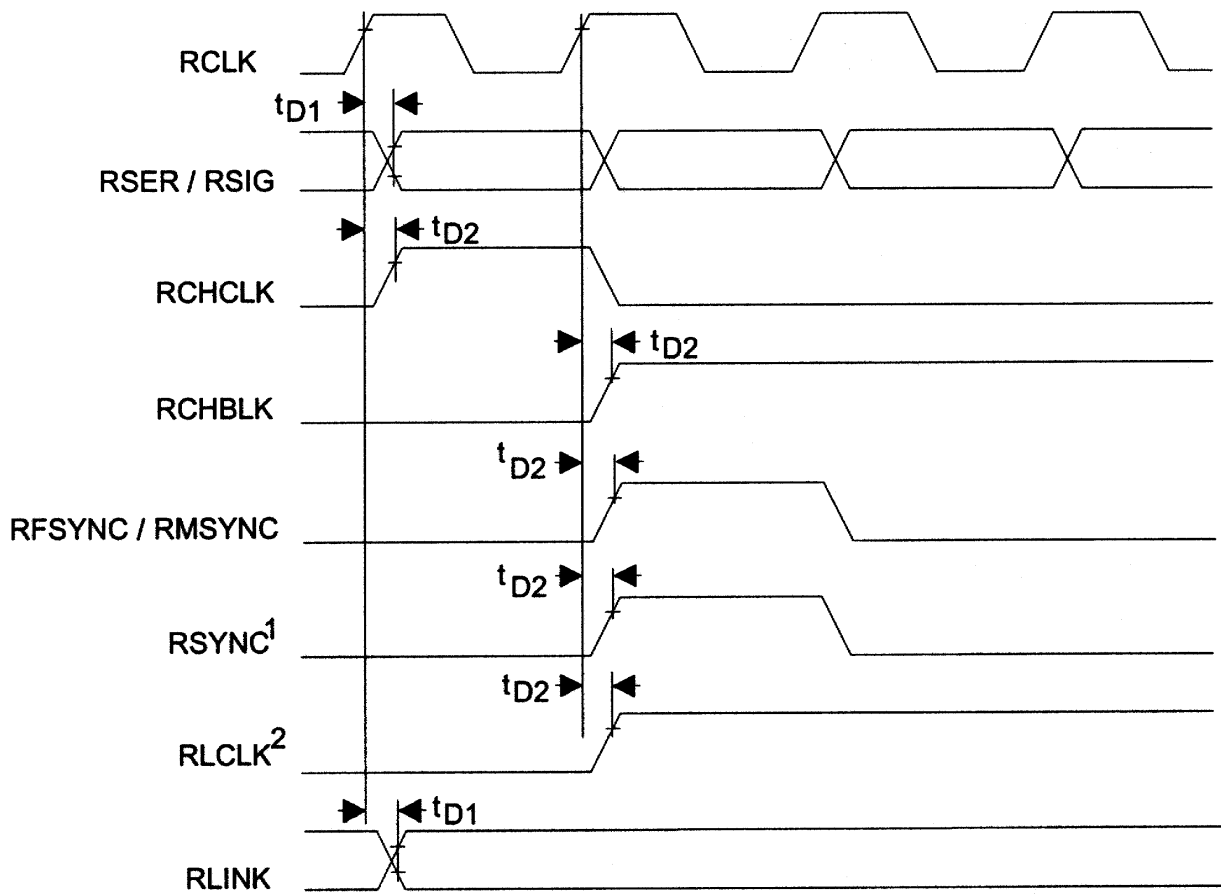
MOTOROLA BUS WRITE AC TIMING (BTS=1 / MUX=0) Figure 21-7



Note:

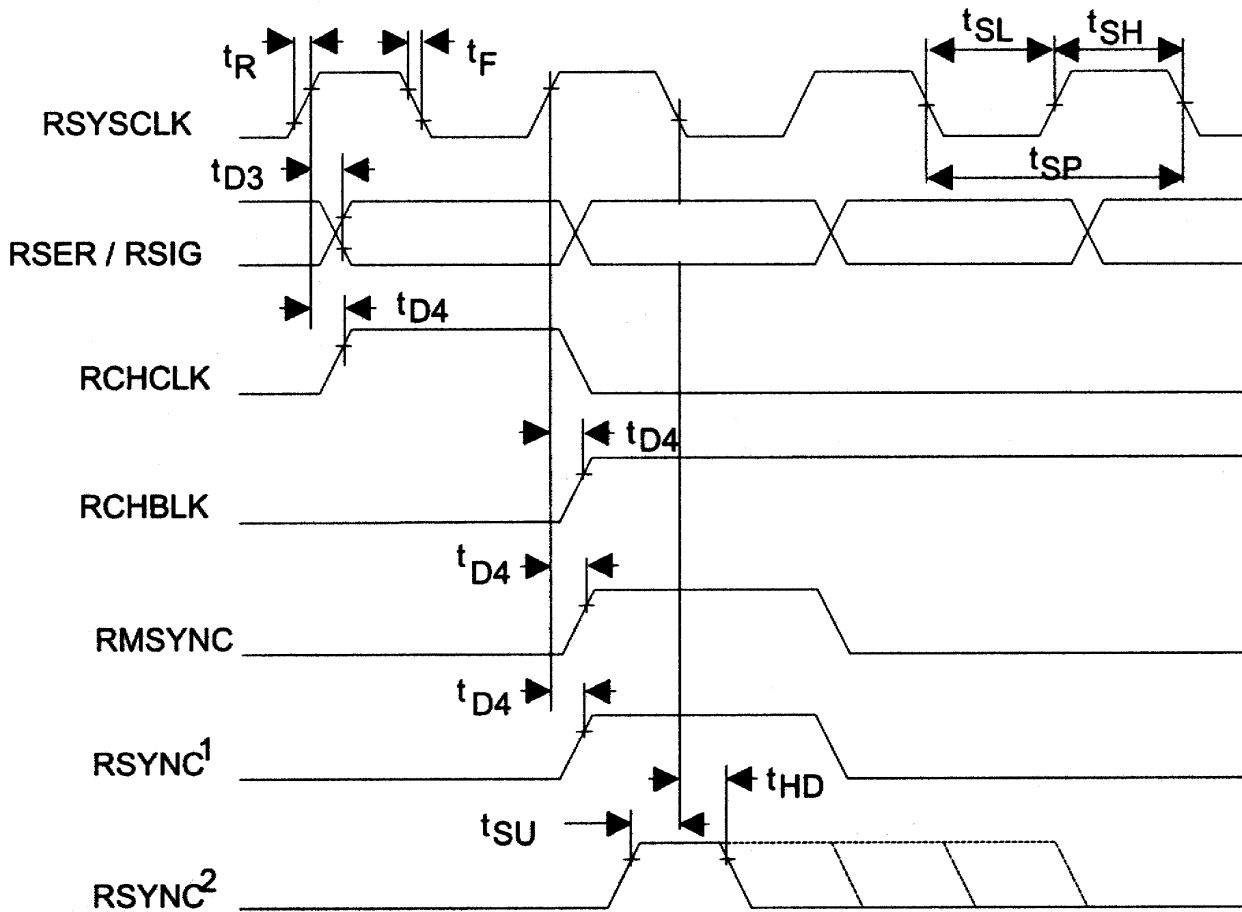
1. The signal DS is active high when emulating the DS21Q41 (FMS = 1).

RECEIVE SIDE AC TIMING Figure 21-8

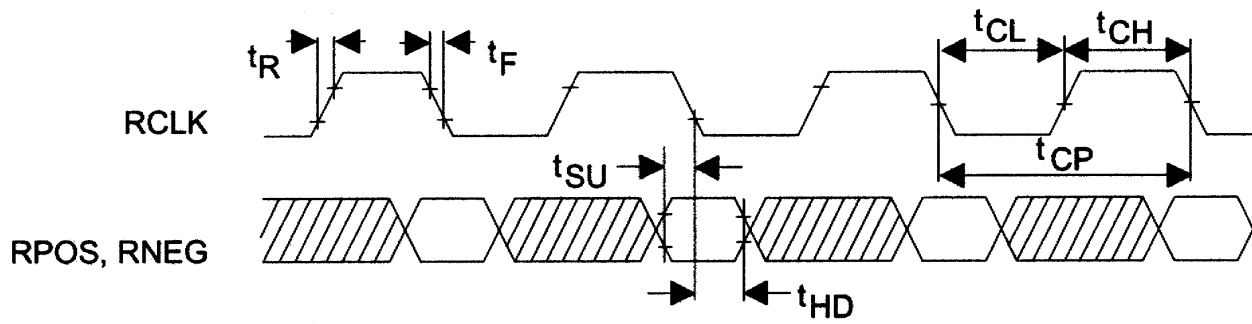
**Notes:**

1. RSYNC is in the output mode (RCR2.3 = 0).
2. Shown is RLINK/RLCLK in the ESF framing mode.
3. No relationship between RCHCLK and RCHBLK and the other signals is implied.

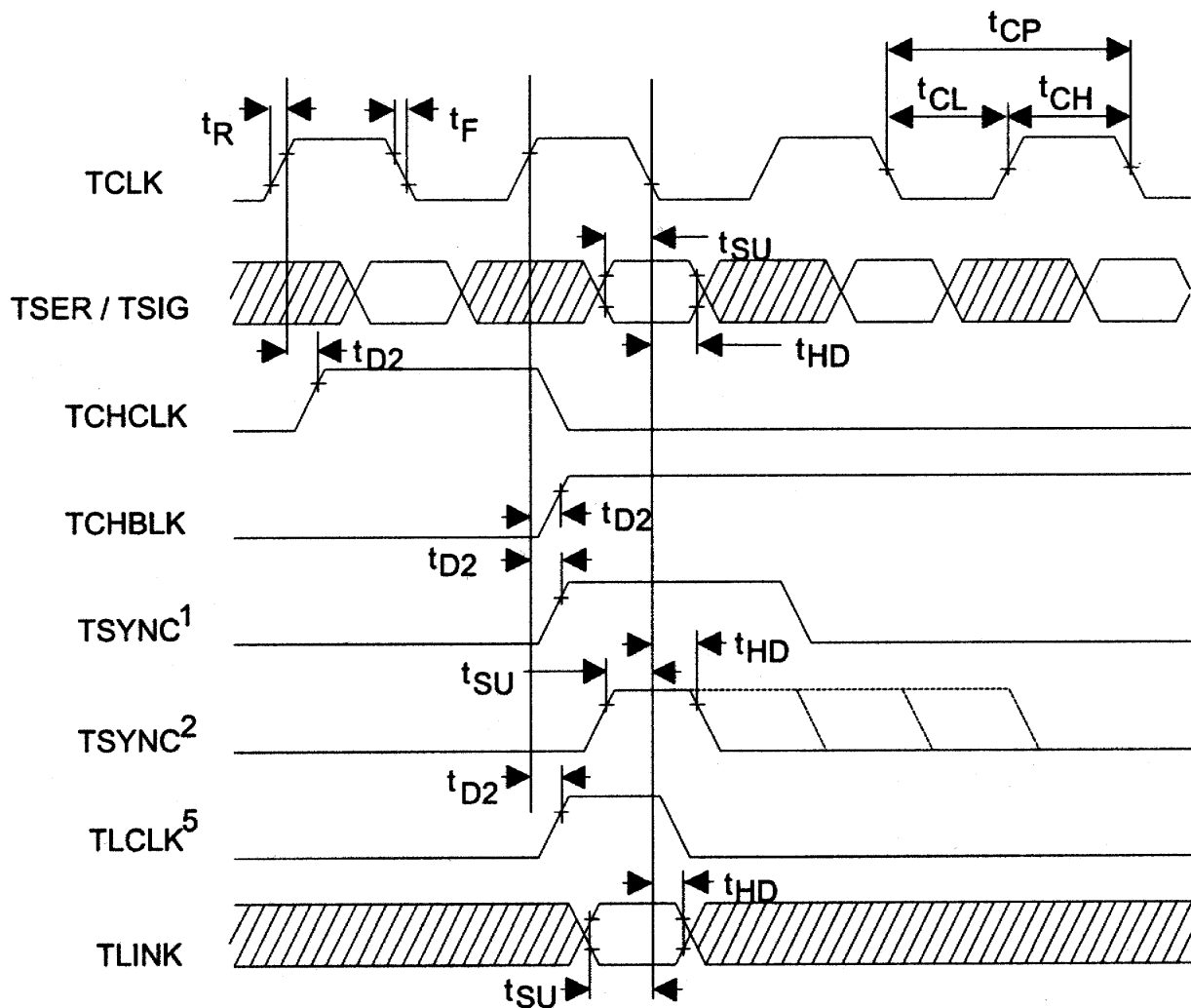
RECEIVE SYSTEM SIDE AC TIMING Figure 21-9

**Notes:**

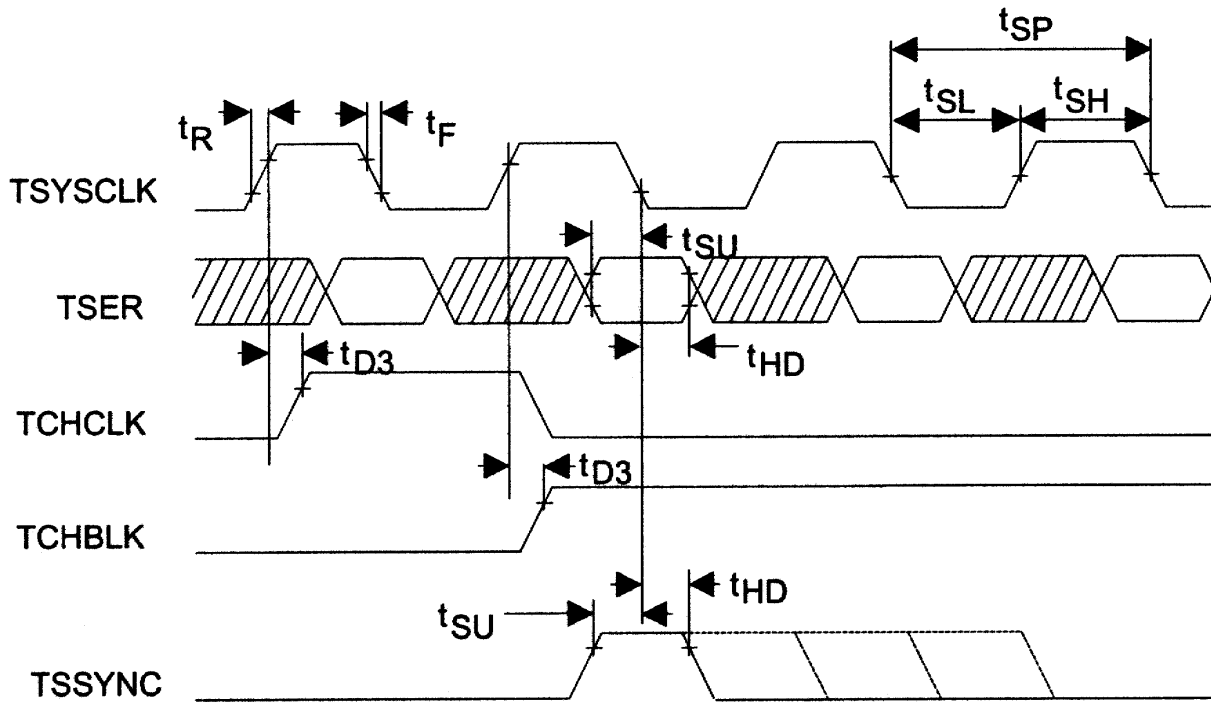
1. RSYNC is in the output mode ($R_{CR2.3} = 0$)
2. RSYNC is in the input mode ($R_{CR2.3} = 1$)

RECEIVE LINE INTERFACE AC TIMING Figure 21-10

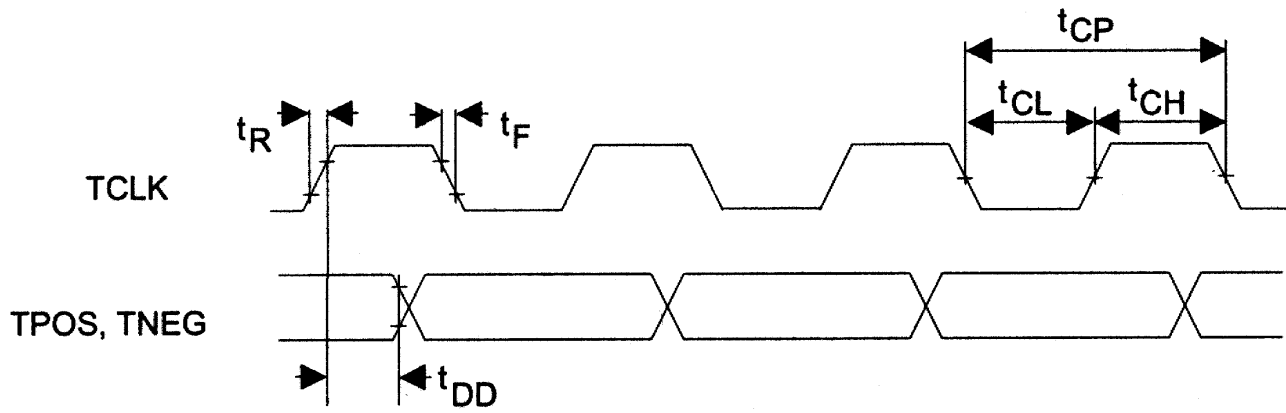
TRANSMIT SIDE AC TIMING Figure 21-11

**Notes:**

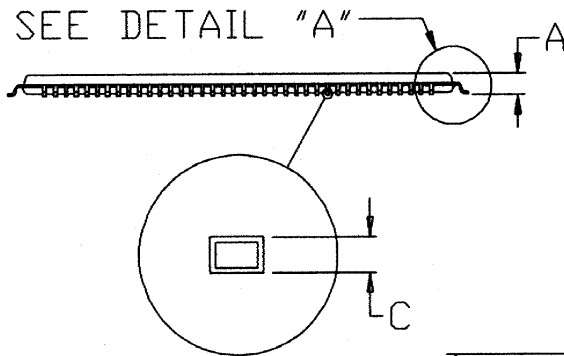
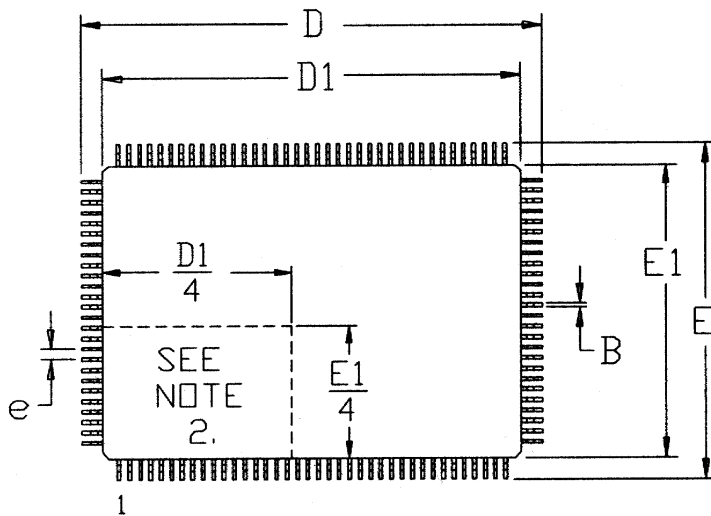
1. TSYNC is in the output mode ($TCR2.2 = 1$).
2. TSYNC is in the input mode ($TCR2.2 = 0$).
3. TSER is sampled on the falling edge of TCLK when the transmit side elastic store is disabled.
4. TCHCLK and TCHBLK are synchronous with TCLK when the transmit side elastic store is disabled.
5. TLINK is only sampled during F-bit locations.
6. No relationship between TCHCLK and TCHBLK and the other signals is implied.

TRANSMIT SYSTEM SIDE AC TIMING Figure 21-12

Notes:

1. TSER is only sampled on the falling edge of TSYSCLK when the transmit side elastic store is enabled.
2. TCHCLK and TCHBLK are synchronous with TSYSCLK when the transmit side elastic store is enabled.

TRANSMIT LINE INTERFACE SIDE AC TIMING Figure 21-13

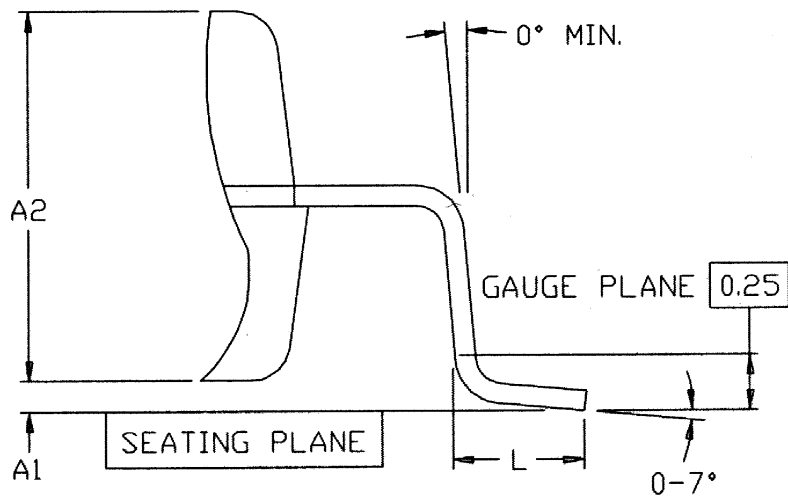
22. 128-Pin TQFP Package Specifications



NOTES:

1. DIMENSIONS D1 AND E1 INCLUDE MOLD MISMATCH, BUT DO NOT INCLUDE MOLD PROTRUSION; ALLOWABLE PROTRUSION IS 0.25 MM PER SIDE.
2. DETAILS OF PIN 1 IDENTIFIER ARE OPTIONAL BUT MUST BE LOCATED WITHIN THE ZONE INDICATED.
3. ALLOWABLE DAMBAR PROTRUSION IS 0.08 MM TOTAL IN EXCESS OF THE B DIMENSION; PROTRUSION NOT TO BE LOCATED ON LOWER RADIUS OR FOOT OF LEAD.

DIM	MIN	MAX
A	-	1.60
A1	0.05	-
A2	1.35	1.45
B	0.17	0.27
C	0.09	0.20
D	21.80	22.20
D1	20.00	BSC
E	15.80	16.20
E1	14.00	BSC
e	0.50	BSC
L	0.45	0.75



DETAIL A

DIMENSIONS ARE IN MILLIMETERS