

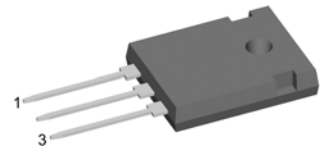
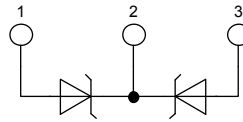
Schottky Diode

High Performance Schottky Diode
Low Loss and Soft Recovery
Common Cathode

$V_{RRM} = 45\text{ V}$
 $I_{FAV} = 2 \times 40\text{ A}$
 $V_F = 0.67\text{ V}$

Part number

DSA 80 C 45 HB



Backside: cathode

Features / Advantages:

- Very low V_f
- Extremely low switching losses
- low I_{rm} values
- Improved thermal behaviour
- High reliability circuit operation
- Low voltage peaks for reduced protection circuits
- Low noise switching

Applications:

- Rectifiers in switch mode power supplies (SMPS)
- Free wheeling diode in low voltage converters

Package:

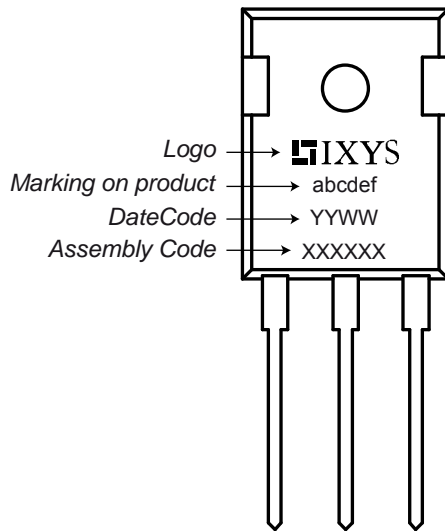
- Housing: TO-247
- Industry standard outline
- Epoxy meets UL 94V-0
- RoHS compliant

Ratings

| Symbol | Definition | Conditions | Ratings | | | Unit |
|------------|-------------------------------------|---|---------|------|------|--------------------|
| | | | min. | typ. | max. | |
| V_{RRM} | max. repetitive reverse voltage | | | | 45 | V |
| I_R | reverse current | $V_R = 45\text{ V}$ | | | 0.75 | μA |
| | | $V_R = 45\text{ V}$ | | | 7.5 | mA |
| V_F | forward voltage | $I_F = 40\text{ A}$ | | | 0.78 | V |
| | | $I_F = 80\text{ A}$ | | | 0.98 | V |
| | | $I_F = 40\text{ A}$ | | | 0.67 | V |
| | | $I_F = 80\text{ A}$ | | | 0.87 | V |
| I_{FAV} | average forward current | rectangular, $d = 0.5$ | | | 40 | A |
| V_{FD} | threshold voltage | } for power loss calculation only | | | 0.42 | V |
| r_F | slope resistance | | | | 5 | $\text{m}\Omega$ |
| R_{thJC} | thermal resistance junction to case | | | | 0.70 | K/W |
| T_{VJ} | virtual junction temperature | | -55 | | 175 | $^{\circ}\text{C}$ |
| P_{tot} | total power dissipation | | | | 215 | W |
| I_{FSM} | max. forward surge current | $t = 10\text{ ms}$ (50 Hz), sine | | | 400 | A |
| C_J | junction capacitance | $V_R = \text{tbd V}$; $f = 1\text{ MHz}$ | | tbd | | pF |

| Symbol | Definition | Conditions | Ratings | | | Unit |
|---------------|-------------------------------------|-----------------------|---------|------|------|------|
| | | | min. | typ. | max. | |
| I_{RMS} | RMS current | per pin ¹⁾ | | | 70 | A |
| R_{thCH} | thermal resistance case to heatsink | | | 0.25 | | K/W |
| T_{stg} | storage temperature | | -55 | | 150 | °C |
| Weight | | | | 6 | | g |
| M_D | mounting torque | | 0.8 | | 1.2 | Nm |
| F_C | mounting force with clip | | 20 | | 120 | N |

¹⁾ I_{RMS} is typically limited by: 1. pin-to-chip resistance; or by 2. current capability of the chip.
 In case of 1, a common cathode/anode configuration and a non-isolated backside, the whole current capability can be used by connecting the backside.

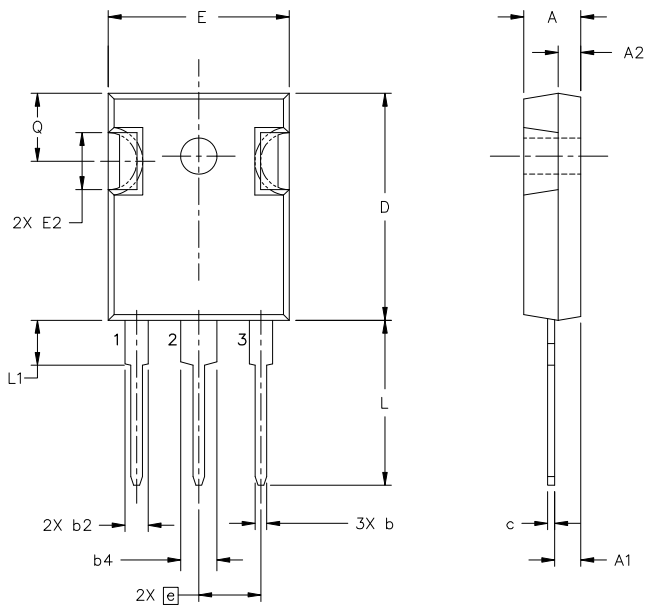
Product Marking

Part number

- D = Diode
- S = Schottky Diode
- A = low VF
- 80 = Current Rating [A]
- C = Common Cathode
- 45 = Reverse Voltage [V]
- HB = TO-247AD (3)

| Ordering | Part Name | Marking on Product | Delivering Mode | Base Qty | Code Key |
|----------|----------------|--------------------|-----------------|----------|----------|
| Standard | DSA 80 C 45 HB | DSA80C45HB | Tube | 30 | 504890 |

| Similar Part | Package | Voltage class |
|--------------|---------|---------------|
| DSA80C100PB | TO-220 | 100 |
| DSA90C200HB | TO-247 | 200 |

Outlines TO-247



| Symbol | Inches | | Millimeters | |
|------------------|-----------|-------|-------------|-------|
| | min | max | min | max |
| A | 0.185 | 0.209 | 4.70 | 5.30 |
| A1 | 0.087 | 0.102 | 2.21 | 2.59 |
| A2 | 0.059 | 0.098 | 1.50 | 2.49 |
| D | 0.819 | 0.845 | 20.79 | 21.45 |
| E | 0.610 | 0.640 | 15.48 | 16.24 |
| E2 | 0.170 | 0.216 | 4.31 | 5.48 |
| e | 0.215 BSC | | 5.46 BSC | |
| L | 0.780 | 0.800 | 19.80 | 20.30 |
| L1 | - | 0.177 | - | 4.49 |
| $\varnothing P$ | 0.140 | 0.144 | 3.55 | 3.65 |
| Q | 0.212 | 0.244 | 5.38 | 6.19 |
| S | 0.242 BSC | | 6.14 BSC | |
| b | 0.039 | 0.055 | 0.99 | 1.40 |
| b2 | 0.065 | 0.094 | 1.65 | 2.39 |
| b4 | 0.102 | 0.135 | 2.59 | 3.43 |
| c | 0.015 | 0.035 | 0.38 | 0.89 |
| D1 | 0.515 | - | 13.07 | - |
| D2 | 0.020 | 0.053 | 0.51 | 1.35 |
| E1 | 0.530 | - | 13.45 | - |
| $\varnothing P1$ | - | 0.291 | - | 7.39 |