



Smart Hall Effect Sensor for Camshaft Applications

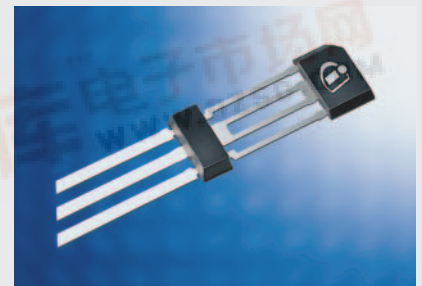
Applications

- Camshaft position sensor

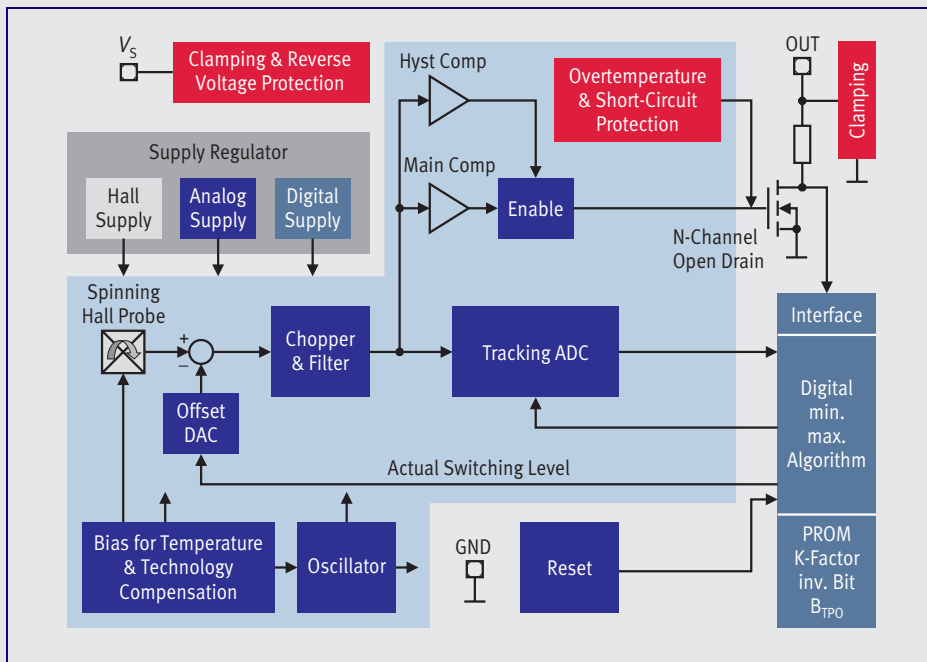
Features

- TPO True Power On functionality
- Mono-cell chopped Hall system
- TIM Twisted Independent Mounting
- Dynamic self-calibrating algorithm
- End-of-line programmable switching points
- TC of back-bias magnet programmable
- High sensitivity ($B_{\min} < 1.5 \text{ mT}$) and high stability of the magnetic switching points
- High resistance to mechanical stress
- Digital output signal (voltage interface)
- Short-circuit protection
- Module style package with two 4.7 nF integrated capacitors

P-SSO-3-9



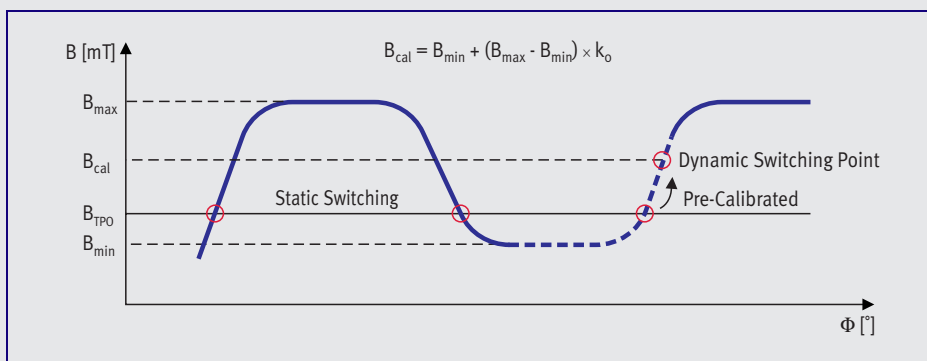
TLE4980C



Block Diagram

The IC consists of a chopped hall-probe (mono-cell in the centre of the chip) with a chopped preamplifier. Next there is a summing node for threshold level adjustment. The threshold switching is actually done in the main comparator. A converter feeds a digital calibration logic. This logic monitors the digitalized signal by looking for minimum and maximum values and also calculates correction values for threshold adjustment. The static switching level is simply done by fetching a digital value out of a PROM.

Parameter	Value	Unit
Operating voltage	3.3 ... 18	V
Power on time	<1	ms
B_{TPO}	20 ... 75	mT
Programm. Range TC_{magnet}	-1200 ... 500	ppm/K
Frequency range	0 ... 4500	Hz
Temperature range T_j	-40 ... +155	°C
k_o factor	0 ... 100	%



How to reach us:
<http://www.infineon.com>

Infineon Technologies AG
 Richard-Strauss-Straße 76
 81679 München
 Tel. (+49) 89-92 21 40 86
 Fax (+49) 89-92 21 20 71

Infineon Technologies (AP) Pte Ltd
 25 New Industrial Road
 Singapore 536211
 Tel. (+65) 8-40 05 91
 Fax (+65) 8-40 00 76

Infineon Technologies Corp.
 Suite 112, Sensors Marketing Group
 21800 Haggerty Rd.
 NORTHVILLE, (MI) 48167
 Tel. (+1) 2 48-3 74 08 90
 Fax (+1) 2 48-3 74 25 01

Type	Sales Code	Package
TLE4980C	Q62705-K675	PSSO-3-9

How to reach us:
<http://www.infineon.com>

Published by
 Infineon Technologies AG,
 St.-Martin-Strasse 53,
 D-81669 München

© Infineon Technologies AG 2003. All Rights Reserved.

Attention please!

The information herein is given to describe certain components and shall not be considered as a guarantee of characteristics.

Terms of delivery and rights to technical change reserved.

We hereby disclaim any and all warranties, including but not limited to warranties of non-infringement, regarding circuits, descriptions and charts stated herein.

Information

For further information on technology, delivery terms and conditions and prices please contact your nearest Infineon Technologies Office in Germany or our Infineon Technologies Representatives worldwide.

Warnings

Due to technical requirements components may contain dangerous substances. For information on the types in question please contact your nearest Infineon Technologies Office.

Infineon Technologies Components may only be used in life-support devices or systems with the express written approval of Infineon Technologies, if a failure of such components can reasonably be expected to cause the failure of that life-support device or system, or to affect the safety or effectiveness of that device or system. Life support devices or systems are intended to be implanted in the human body, or to support and/or maintain and sustain and/or protect human life. If they fail, it is reasonable to assume that the health of the user or other persons may be endangered.