

INTEGRATED CIRCUITS

DATA SHEET

TEA6321

Sound fader control circuit

Preliminary specification
Supersedes data of August 1993
File under Integrated Circuits, IC01

1995 Dec 19

Sound fader control circuit

TEA6321

FEATURES

- Source selector for four stereo and one mono inputs
- Interface for noise reduction circuits
- Interface for external equalizer
- Volume, balance and fader control
- Special loudness characteristic automatically controlled in combination with volume setting
- Bass control with equalizer filters
- Treble control
- Mute control at audio signal zero crossing
- Fast mute control via I²C-bus
- Fast mute control via pin
- I²C-bus control for all functions
- Power supply with internal power-on reset.



GENERAL DESCRIPTION

The sound fader control circuit TEA6321 is an I²C-bus controlled stereo preamplifier for car radio hi-fi sound applications.

QUICK REFERENCE DATA

| SYMBOL | PARAMETER | CONDITIONS | MIN. | TYP. | MAX. | UNIT |
|---------------------------|----------------------------------|---|------|------|------|------|
| V _{CC} | supply voltage | | 7.5 | 8.5 | 9.5 | V |
| I _{CC} | supply current | V _{CC} = 8.5 V | – | 26 | – | mA |
| V _{o(rms)} | maximum output voltage level | V _{CC} = 8.5 V; THD ≤ 0.1% | – | 2000 | – | mV |
| G _v | voltage gain | | –86 | – | +20 | dB |
| G _{step(vol)} | step resolution (volume) | | – | 1 | – | dB |
| G _{bass} | bass control | | –18 | – | +18 | dB |
| G _{treble} | treble control | | –12 | – | +12 | dB |
| G _{step(treble)} | step resolution (treble) | | – | 1.5 | – | dB |
| (S+N)/N | signal-plus-noise to noise ratio | V _o = 2.0 V; G _v = 0 dB; unweighted | – | 105 | – | dB |
| RR ₁₀₀ | ripple rejection | V _{r(rms)} < 200 mV; f = 100 Hz; G _v = 0 dB | – | 75 | – | dB |
| α _{CS} | channel separation | 250 Hz ≤ f ≤ 10 kHz; G _v = 0 dB | 90 | 96 | – | dB |

ORDERING INFORMATION

| TYPE NUMBER | PACKAGE | | |
|-------------|---------|--|----------|
| | NAME | DESCRIPTION | VERSION |
| TEA6321T | SO32 | plastic small outline package; 32 leads; body width 7.5 mm | SOT287-1 |

Sound fader control circuit

TEA6321

BLOCK DIAGRAM

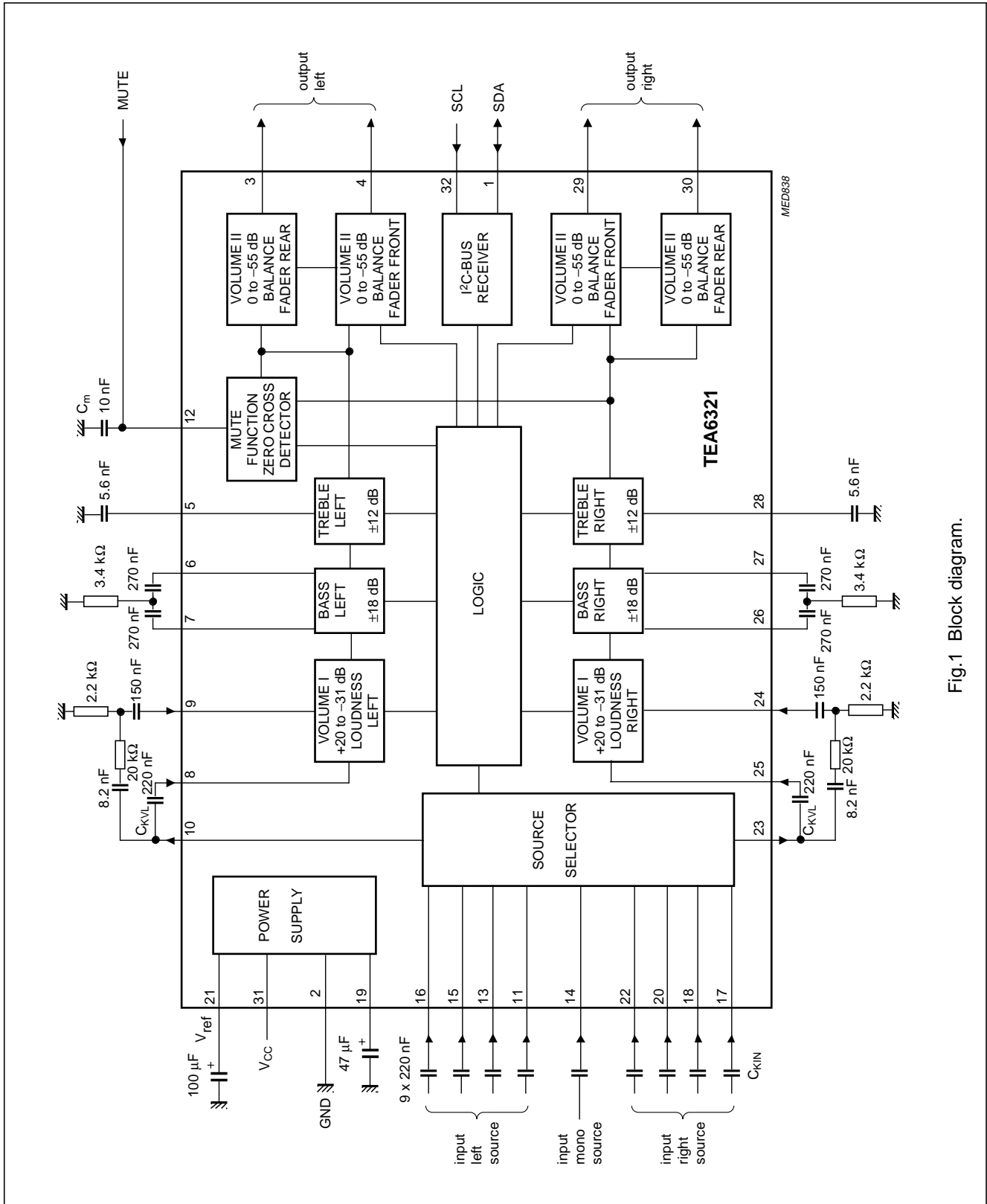


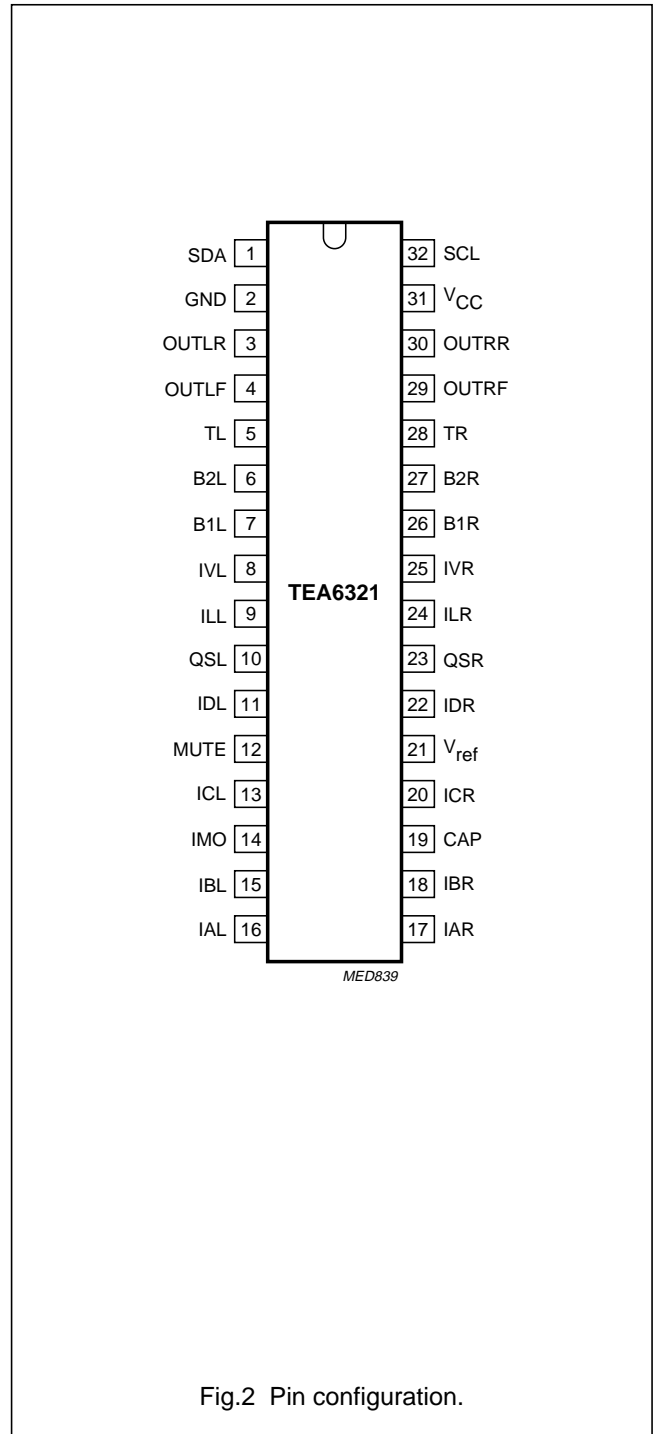
Fig.1 Block diagram.

Sound fader control circuit

TEA6321

PINNING

| SYMBOL | PIN | DESCRIPTION |
|------------------|-----|--|
| SDA | 1 | serial data input/output |
| GND | 2 | ground |
| OUTLR | 3 | output left rear |
| OUTLF | 4 | output left front |
| TL | 5 | treble control capacitor left channel or input from an external equalizer |
| B2L | 6 | bass control left channel or output to an external equalizer |
| B1L | 7 | bass control, left channel |
| IVL | 8 | input volume I, left control part |
| ILL | 9 | input loudness, left control part |
| QSL | 10 | output source selector, left channel |
| IDL | 11 | input D left source |
| MUTE | 12 | mute control |
| ICL | 13 | input C left source |
| IMO | 14 | input mono source |
| IBL | 15 | input B left source |
| IAL | 16 | input A left source |
| IAR | 17 | input A right source |
| IBR | 18 | input B right source |
| CAP | 19 | electronic filtering for supply |
| ICR | 20 | input C right source |
| V _{ref} | 21 | reference voltage (0.5V _{CC}) |
| IDR | 22 | input D right source |
| QSR | 23 | output source selector right channel |
| ILR | 24 | input loudness right channel |
| IVR | 25 | input volume I, right control part |
| B1R | 26 | bass control right channel |
| B2R | 27 | bass control right channel or output to an external equalizer |
| TR | 28 | treble control capacitor right channel or input from an external equalizer |
| OUTRF | 29 | output right front |
| OUTRR | 30 | output right rear |
| V _{CC} | 31 | supply voltage |
| SCL | 32 | serial clock input |



Sound fader control circuit

TEA6321

FUNCTIONAL DESCRIPTION

The source selector selects one of 4 stereo inputs or the mono input. The maximum input signal voltage is $V_{i(rms)} = 2\text{ V}$. The outputs of the source selector and the inputs of the following volume control parts are available at pins 8 and 10 for the left channel and pins 23 and 25 for the right channel. This offers the possibility of interfacing a noise reduction system.

The volume control function is split into two sections: volume I control block and volume II control block.

The control range of volume I is between +20 dB and -31 dB in steps of 1 dB. The volume II control range is between 0 dB and -55 dB in steps of 1 dB. Although the theoretical possible control range is 106 dB (+20 to -86 dB), in practice a range of 86 dB (+20 to -66 dB) is recommended. The gain/attenuation setting of the volume I control block is common for both channels.

The volume I control block operates in combination with the loudness control. The filter is linear when the maximum gain for the volume I control (+20 dB) is selected. The filter characteristic increases automatically over a range of 32 dB down to a setting of -12 dB. That means the maximum filter characteristic is obtained at -12 dB setting of volume I. Further reduction of the volume does not further influence the filter characteristic (see Fig.5). The maximum selected filter characteristic is determined by external components. The proposed application gives a maximum boost of 17 dB for bass and 4.5 dB for treble. The loudness may be switched on or off via I²C-bus control (see Table 7).

The volume I control block is followed by the bass control block. An external filter for each channel in combination with internal resistors, provides the frequency response of the bass control (see Fig.3). The adjustable range is between -18 and +18 dB in steps of 1.8 dB at 46 Hz.

Both loudness and bass control result in a maximum bass boost of 35 dB for low volume settings.

The treble control block offers a control range between -12 and +12 dB in steps of 1.5 dB at 15 kHz. The filter characteristic is determined by a single capacitor of 5.6 nF for each channel in combination with internal resistors (see Fig.4).

The basic step width of treble control is 3 dB. The intermediate steps are obtained by switching 1.5 dB boost and 1.5 dB attenuation steps.

The bass and treble control functions can be switched off via I²C-bus. In this event the internal signal flow is

disconnected. The connections B2L and B2R are outputs and TL and TR are inputs for inserting an external equalizer.

The last section of the circuit is the volume II block. The balance and fader functions are performed using the same control blocks. This is realized by 4 independently controllable attenuators, one for each output. The control range of these attenuators is 55 dB in steps of 1 dB with an additional mute step.

The circuit provides 3 mute modes:

1. Zero crossing mode mute via I²C-bus using 2 independent zero crossing detectors (ZCM, see Tables 2 and 9 and Fig.16).
2. Fast mute via MUTE pin (see Fig.10).
3. Fast mute via I²C-bus either by general mute (GMU, see Tables 2 and 9) or volume II block setting (see Table 4).

The mute function is performed immediately if ZCM is cleared (ZCM = 0). If the bit is set (ZCM = 1) the mute is activated after changing the GMU bit. The actual mute switching is delayed until the next zero crossing of the audio frequency signal. As the two audio channels (left and right) are independent, two comparators are built-in to control independent mute switches.

To avoid a large delay of mute switching when very low frequencies are processed, the maximum delay time is limited to typically 100 ms by an integrated timing circuit and an external capacitor ($C_m = 10\text{ nF}$, see Fig.10). This timing circuit is triggered by reception of a new data word for the switch function which includes the GMU bit. After a discharge and charge period of an external capacitor the muting switch follows the GMU bit if no zero crossing was detected during that time.

The mute function can also be controlled externally. If the mute pin is switched to ground all outputs are muted immediately (hardware mute). This mute request overwrites all mute controls via the I²C-bus for the time the pin is held LOW. The hardware mute position is not stored in the TEA6321.

For the turn on/off behaviour the following explanation is generally valid. To avoid AF output caused by the input signal coming from preceding stages, which produces output during drop of V_{CC} , the mute has to be set before the V_{CC} will drop. This can be achieved by I²C-bus control or by grounding the MUTE pin.

For use where is no mute in the application before turn off, a supply voltage drop of more than $1 \times V_{BE}$ will result in a mute during the voltage drop.

Sound fader control circuit
TEA6321

The power supply should include a V_{CC} buffer capacitor, which provides a discharging time constant. If the input signal does not disappear after turn off the input will become audible after certain time. A 4.7 k Ω resistor discharges the V_{CC} buffer capacitor, because the internal current of the IC does not discharge it completely.

The hardware mute function is favourable for use in Radio Data System (RDS) applications. The zero crossing mute avoids modulation plops. This feature is an advantage for mute during changing presets and/or sources (e.g. traffic announcement during cassette playback).

LIMITING VALUES

In accordance with the Absolute Maximum Rating System (IEC 134).

| SYMBOL | PARAMETER | CONDITIONS | MIN. | MAX. | UNIT |
|-----------|--|------------|------|----------|--------------|
| V_{CC} | supply voltage | | 0 | 10 | V |
| V_n | voltage at pins 1 and 3 to 32 to pin 2 | | 0 | V_{CC} | V |
| T_{amb} | operating ambient temperature | | -40 | +85 | $^{\circ}$ C |
| T_{stg} | storage temperature | | -65 | +150 | $^{\circ}$ C |
| V_{es} | electrostatic handling | note 1 | | | |

Note

- Human body model: C = 100 pF; R = 1.5 k Ω ; V \geq 2 kV. Charge device model: C = 200 pF; R = 0 Ω ; V \geq 500 V.

Sound fader control circuit

TEA6321

CHARACTERISTICS

$V_{CC} = 8.5\text{ V}$; $R_S = 600\ \Omega$; $R_L = 10\ \text{k}\Omega$; $C_L = 2.5\ \text{nF}$; AC coupled; $f = 1\ \text{kHz}$; $T_{\text{amb}} = 25\ ^\circ\text{C}$; gain control $G_V = 0\ \text{dB}$; bass linear; treble linear; fader off; balance in mid position; loudness off; unless otherwise specified.

| SYMBOL | PARAMETER | CONDITIONS | MIN. | TYP. | MAX. | UNIT |
|---------------------|---|--|-------|------|------|------|
| V_{CC} | supply voltage | | 7.5 | 8.5 | 9.5 | V |
| I_{CC} | supply current | | – | 26 | 33 | mA |
| V_{DC} | internal DC voltage at inputs and outputs | | 3.83 | 4.25 | 4.68 | V |
| V_{ref} | internal reference voltage at pin 21 | | – | 4.25 | – | V |
| $G_{V(\text{max})}$ | maximum voltage gain | $R_S = 0\ \Omega$; $R_L = \infty$ | 19 | 20 | 21 | dB |
| $V_{o(\text{rms})}$ | output voltage level for P_{max} at the power output stage start of clipping | THD $\leq 0.1\%$; see Fig.11 | – | 2000 | – | mV |
| | | THD = 1% | 2300 | – | – | mV |
| | | $R_L = 2\ \text{k}\Omega$; $C_L = 10\ \text{nF}$; THD = 1% | 2000 | – | – | mV |
| $V_{i(\text{rms})}$ | input sensitivity | $V_o = 2000\ \text{mV}$; $G_V = 20\ \text{dB}$ | – | 200 | – | mV |
| f_{ro} | roll-off frequency | $C_{\text{KIN}} = 220\ \text{nF}$; $C_{\text{KVL}} = 220\ \text{nF}$; $Z_i = Z_{i(\text{min})}$ | | | | |
| | | low frequency (–1 dB) | 60 | – | – | Hz |
| | | low frequency (–3 dB) | 30 | – | – | Hz |
| | | high frequency (–1 dB) | 20000 | – | – | Hz |
| | | $C_{\text{KIN}} = 470\ \text{nF}$; $C_{\text{KVL}} = 100\ \text{nF}$; $Z_i = Z_{i(\text{typ})}$ | 17 | – | – | Hz |
| α_{cs} | channel separation | $V_i = 2\ \text{V}$; frequency range 250 Hz to 10 kHz | 90 | 96 | – | dB |
| THD | total harmonic distortion | frequency range 20 Hz to 12.5 kHz | | | | |
| | | $V_i = 100\ \text{mV}$; $G_V = 20\ \text{dB}$ | – | 0.1 | – | % |
| | | $V_i = 1\ \text{V}$; $G_V = 0\ \text{dB}$ | – | 0.05 | 0.15 | % |
| | | $V_i = 2\ \text{V}$; $G_V = 0\ \text{dB}$ | – | 0.1 | – | % |
| | | $V_i = 2\ \text{V}$; $G_V = -10\ \text{dB}$ | – | 0.1 | – | % |
| RR | ripple rejection | $V_{r(\text{rms})} < 200\ \text{mV}$ | | | | |
| | | $f = 100\ \text{Hz}$ | 70 | 76 | – | dB |
| | | $f = 40\ \text{Hz to } 12.5\ \text{kHz}$ | – | 66 | – | dB |
| (S+N)/N | signal-plus-noise to noise ratio | unweighted; 20 Hz to 20 kHz RMS; $V_o = 2.0\ \text{V}$; see Figs 6 and 7 | – | 105 | – | dB |
| | | CCIR468-2 weighted; quasi peak; $V_o = 2.0\ \text{V}$ | | | | |
| | | $G_V = 0\ \text{dB}$ | – | 95 | – | dB |
| | | $G_V = 12\ \text{dB}$ | – | 88 | – | dB |
| | | $G_V = 20\ \text{dB}$ | – | 81 | – | dB |

Sound fader control circuit

TEA6321

| SYMBOL | PARAMETER | CONDITIONS | MIN. | TYP. | MAX. | UNIT |
|---|--|-----------------------------------|------|------|------|------------|
| $P_{no(rms)}$ | noise output power (RMS value) only contribution of TEA6321; power amplifier for 6 W | mute position; note 1 | – | – | 10 | nW |
| α_{ct} | crosstalk $\left(20 \log \frac{V_{bus(p-p)}}{V_{o(rms)}}\right)$ between bus inputs and signal outputs | note 2 | – | 110 | – | dB |
| Source selector | | | | | | |
| Z_i | input impedance | | 25 | 35 | 45 | k Ω |
| α_S | input isolation of one selected source to any other input | f = 1 kHz | – | 105 | – | dB |
| | | f = 12.5 kHz | – | 95 | – | dB |
| $V_{i(rms)}$ | maximum input voltage (RMS value) | THD < 0.5%; $V_{CC} = 8.5$ V | – | 2.15 | – | V |
| | | THD < 0.5%; $V_{CC} = 7.5$ V | – | 1.8 | – | V |
| V_{offset} | DC offset voltage at source selector output by selection of any inputs | | – | – | 10 | mV |
| Z_o | output impedance | | – | 80 | 120 | Ω |
| R_L | output load resistance | | 10 | – | – | k Ω |
| C_L | output load capacity | | 0 | – | 2500 | pF |
| G_v | voltage gain, source selector | | – | 0 | – | dB |
| Control part (source selector disconnected; source resistance 600 Ω) | | | | | | |
| Z_i | input impedance volume input | | 100 | 150 | 200 | k Ω |
| | input impedance loudness input | | 25 | 33 | 40 | k Ω |
| Z_o | output impedance | | – | 80 | 120 | Ω |
| R_L | output load resistance | | 2 | – | – | k Ω |
| C_L | output load capacity | | 0 | – | 10 | nF |
| R_{DCL} | DC load resistance at output to ground | | 4.7 | – | – | k Ω |
| $V_{i(rms)}$ | maximum input voltage (RMS value) | THD < 0.5% | – | 2.15 | – | V |
| V_{no} | noise output voltage | CCIR468-2 weighted; quasi peak | | | | |
| | | $G_v = 20$ dB | – | 110 | 220 | μ V |
| | | $G_v = 0$ dB | – | 33 | 50 | μ V |
| | | $G_v = -66$ dB | – | 13 | 22 | μ V |
| | | mute position | – | 10 | – | μ V |
| CR_{tot} | total continuous control range | | – | 106 | – | dB |
| | recommended control range | | – | 86 | – | dB |
| G_{step} | step resolution | | – | 1 | – | dB |
| | step error between any adjoining step | | – | – | 0.5 | dB |

Sound fader control circuit

TEA6321

| SYMBOL | PARAMETER | CONDITIONS | MIN. | TYP. | MAX. | UNIT |
|---|---|---|------|------|------|------|
| ΔG_a | attenuator set error | $G_v = +20$ to -50 dB | – | – | 2 | dB |
| | | $G_v = -51$ to -66 dB | – | – | 3 | dB |
| ΔG_t | gain tracking error | $G_v = +20$ to -50 dB | – | – | 2 | dB |
| $MUTE_{att}$ | mute attenuation | see Fig.10 | 100 | 110 | – | dB |
| V_{offset} | DC step offset between any adjoining step | $G_v = 0$ to -66 dB | – | 0.2 | 10 | mV |
| | | $G_v = 20$ to 0 dB | – | 2 | 15 | mV |
| | DC step offset between any step to mute | $G_v = 0$ to -66 dB | – | – | 10 | mV |
| Volume I control and loudness | | | | | | |
| CR_{vol} | continuous volume control range | | – | 51 | – | dB |
| G_v | voltage gain | | –31 | – | +20 | dB |
| G_{step} | step resolution | | – | 1 | – | dB |
| L_{Bmax} | maximum loudness boost | loudness on; referred to loudness off; boost is determined by external components | | | | |
| | | $f = 40$ Hz | – | 17 | – | dB |
| | | $f = 10$ kHz | – | 4.5 | – | dB |
| Bass control | | | | | | |
| G_{bass} | bass control, maximum boost | $f = 46$ Hz | 16 | 18 | 19 | dB |
| | maximum attenuation | $f = 46$ Hz | 16 | 18 | 19 | dB |
| G_{step} | step resolution (toggle switching) | $f = 46$ Hz | – | 1.8 | – | dB |
| | step error between any adjoining step | $f = 46$ Hz | – | – | 0.5 | dB |
| V_{offset} | DC step offset in any bass position | | – | – | 20 | mV |
| Treble control | | | | | | |
| G_{treble} | treble control, maximum boost | $f = 15$ kHz | 11 | 12 | 13 | dB |
| | maximum attenuation | $f = 15$ kHz | 11 | 12 | 13 | dB |
| | maximum boost | $f > 15$ kHz | – | – | 15 | dB |
| G_{step} | step resolution (toggle switching) | $f = 15$ kHz | – | 1.5 | – | dB |
| | step error between any adjoining step | $f = 15$ kHz | – | – | 0.5 | dB |
| V_{offset} | DC step offset in any treble position | | – | – | 10 | mV |
| Volume II, balance and fader control | | | | | | |
| CR | continuous attenuation fader and volume control range | | 53.5 | 55 | 56.5 | dB |
| G_{step} | step resolution | | – | 1 | 2 | dB |
| | attenuation set error | | – | – | 1.5 | dB |

Sound fader control circuit

TEA6321

| SYMBOL | PARAMETER | CONDITIONS | MIN. | TYP. | MAX. | UNIT |
|---|---|--------------------------|------|----------------|----------|---------------|
| Mute function (see Fig.10) | | | | | | |
| HARDWARE MUTE | | | | | | |
| V_{sw} | mute switch level ($2 \times V_{BE}$) | | – | 1.45 | – | V |
| <i>mute active</i> | | | | | | |
| V_{swLOW} | input level | | – | – | 1.0 | V |
| I_i | input current | $V_{swLOW} = 1\text{ V}$ | –300 | – | – | μA |
| <i>mute passive: level internally defined</i> | | | | | | |
| V_{swHIGH} | saturation voltage | | – | – | V_{CC} | V |
| $t_{d(mute)}$ | delay until mute passive | | – | – | 0.5 | ms |
| ZERO CROSSING MUTE | | | | | | |
| I_d | discharge current | | 0.3 | 0.6 | 1.2 | μA |
| I_{ch} | charge current | | –300 | –150 | – | μA |
| V_{swDEL} | delay switch level ($3 \times V_{BE}$) | | – | 2.2 | – | V |
| t_d | delay time | $C_m = 10\text{ nF}$ | – | 100 | – | ms |
| V_{wind} | window for audio signal zero crossing detection | | – | 30 | 40 | mV |
| Muting at power supply drop | | | | | | |
| V_{CCdrop} | supply drop for mute active | | – | $V_{19} - 0.7$ | – | V |
| Power-on reset (when reset is active the GMU-bit (general mute) is set and the I²C-bus receiver is in reset position) | | | | | | |
| V_{CC} | increasing supply voltage start of reset | | – | – | 2.5 | V |
| | end of reset | | 5.2 | 6.5 | 7.2 | V |
| | decreasing supply voltage start of reset | | 4.2 | 5.5 | 6.2 | V |
| Digital part (I²C-bus pins); note 3 | | | | | | |
| V_{iH} | HIGH level input voltage | | 3 | – | 9.5 | V |
| V_{iL} | LOW level input voltage | | –0.3 | – | +1.5 | V |
| I_{iH} | HIGH level input current | | –10 | – | +10 | μA |
| I_{iL} | LOW level input current | | –10 | – | +10 | μA |
| V_{oL} | LOW level output voltage | $I_L = 3\text{ mA}$ | – | – | 0.4 | V |

Notes to the characteristics

- The indicated values for output power assume a 6 W power amplifier at 4 Ω with 20 dB gain and a fixed attenuator of 12 dB in front of it. Signal-to-noise ratios exclude noise contribution of the power amplifier.
- The transmission contains: total initialization with MAD and subaddress for volume and 8 data words, see also definition of characteristics, clock frequency = 50 kHz, repetition burst rate = 400 Hz, maximum bus signal amplitude = 5 V (p-p).
- The AC characteristics are in accordance with the I²C-bus specification. This specification, "The I²C-bus and how to use it", can be ordered using the code 9398 393 40011.

Sound fader control circuit

TEA6321

I²C-BUS PROTOCOL**I²C-bus format**

| | | | | | | | |
|------------------|------------------------------|------------------|---------------------------|------------------|---------------------|------------------|------------------|
| S ⁽¹⁾ | SLAVE ADDRESS ⁽²⁾ | A ⁽³⁾ | SUBADDRESS ⁽⁴⁾ | A ⁽³⁾ | DATA ⁽⁵⁾ | A ⁽³⁾ | P ⁽⁶⁾ |
|------------------|------------------------------|------------------|---------------------------|------------------|---------------------|------------------|------------------|

Notes

1. S = START condition.
2. SLAVE ADDRESS (MAD) = 1000 0000.
3. A = acknowledge, generated by the slave.
4. SUBADDRESS (SAD), see Table 1.
5. DATA, see Table 1.
6. P = STOP condition.

Table 1 Second byte after MAD.

| FUNCTION | BIT | MSB | | | | | | | LSB | |
|-------------------|-----|-----|---|---|---|---|------------------|------------------|------------------|---|
| | | 7 | 6 | 5 | 4 | 3 | 2 ⁽¹⁾ | 1 ⁽¹⁾ | 0 ⁽¹⁾ | |
| Volume/loudness | V | 0 | 0 | 0 | 0 | 0 | 0 | 0 | 0 | 0 |
| Fader front right | FFR | 0 | 0 | 0 | 0 | 0 | 0 | 0 | 0 | 1 |
| Fader front left | FFL | 0 | 0 | 0 | 0 | 0 | 0 | 0 | 1 | 0 |
| Fader rear right | FRR | 0 | 0 | 0 | 0 | 0 | 0 | 0 | 1 | 1 |
| Fader rear left | FRL | 0 | 0 | 0 | 0 | 0 | 1 | 0 | 0 | 0 |
| Bass | BA | 0 | 0 | 0 | 0 | 0 | 1 | 0 | 0 | 1 |
| Treble | TR | 0 | 0 | 0 | 0 | 0 | 1 | 1 | 0 | 0 |
| Switch | S | 0 | 0 | 0 | 0 | 0 | 1 | 1 | 1 | 1 |

Note

1. Significant subaddress.

Sound fader control circuit

TEA6321

Table 2 Definition of third byte after MAD and SAD

| FUNCTION | BIT | MSB | | | | | | | | LSB | |
|-------------------|-----|---------------------|---------------------|---------------------|---------------------|---------------------|---------------------|---------------------|---------------------|-----|--|
| | | 7 | 6 | 5 | 4 | 3 | 2 | 1 | 0 | | |
| Volume/loudness | V | ZCM ⁽¹⁾ | LOFF ⁽²⁾ | V5 ⁽³⁾ | V4 ⁽³⁾ | V3 ⁽³⁾ | V2 ⁽³⁾ | V1 ⁽³⁾ | V0 ⁽³⁾ | | |
| Fader front right | FFR | X ⁽⁴⁾ | X ⁽⁴⁾ | FFR5 ⁽⁵⁾ | FFR4 ⁽⁵⁾ | FFR3 ⁽⁵⁾ | FFR2 ⁽⁵⁾ | FFR1 ⁽⁵⁾ | FFR0 ⁽⁵⁾ | | |
| Fader front left | FFL | X ⁽⁴⁾ | X ⁽⁴⁾ | FFL5 ⁽⁶⁾ | FFL4 ⁽⁶⁾ | FFL3 ⁽⁶⁾ | FFL2 ⁽⁶⁾ | FFL1 ⁽⁶⁾ | FFL0 ⁽⁶⁾ | | |
| Fader rear right | FRR | X ⁽⁴⁾ | X ⁽⁴⁾ | FRR5 ⁽⁷⁾ | FRR4 ⁽⁷⁾ | FRR3 ⁽⁷⁾ | FRR2 ⁽⁷⁾ | FRR1 ⁽⁷⁾ | FRR0 ⁽⁷⁾ | | |
| Fader rear left | FRL | X ⁽⁴⁾ | X ⁽⁴⁾ | FRL5 ⁽⁸⁾ | FRL4 ⁽⁸⁾ | FRL3 ⁽⁸⁾ | FRL2 ⁽⁸⁾ | FRL1 ⁽⁸⁾ | FRL0 ⁽⁸⁾ | | |
| Bass | BA | X ⁽⁴⁾ | X ⁽⁴⁾ | X ⁽⁴⁾ | BA4 ⁽⁹⁾ | BA3 ⁽⁹⁾ | BA2 ⁽⁹⁾ | BA1 ⁽⁹⁾ | BA0 ⁽⁹⁾ | | |
| Treble | TR | X ⁽⁴⁾ | X ⁽⁴⁾ | X ⁽⁴⁾ | TR4 ⁽¹⁰⁾ | TR3 ⁽¹⁰⁾ | TR2 ⁽¹⁰⁾ | TR1 ⁽¹⁰⁾ | TR0 ⁽¹⁰⁾ | | |
| Switch | S | GMU ⁽¹¹⁾ | X ⁽⁴⁾ | X ⁽⁴⁾ | X ⁽⁴⁾ | X ⁽⁴⁾ | SC2 ⁽¹²⁾ | SC1 ⁽¹²⁾ | SC0 ⁽¹²⁾ | | |

Notes

1. Zero crossing mode.
2. Switch loudness on/off.
3. Volume control.
4. Don't care bits (logic 1 during testing).
5. Fader control front right.
6. Fader control front left.
7. Fader control rear right.
8. Fader control rear left.
9. Bass control.
10. Treble control.
11. Mute control for all outputs except the outputs OVL and OVR (general mute).
12. Source selector control.

Sound fader control circuit

TEA6321

Table 3 Volume I setting

| G _v (dB) | DATA | | | | | |
|--|------|----|----|----|----|----|
| | V5 | V4 | V3 | V2 | V1 | V0 |
| Loudness on: the increment of the loudness characteristics is linear at every volume step in the range from +20 to -11 dB | | | | | | |
| +20 | 1 | 1 | 1 | 1 | 1 | 1 |
| +19 | 1 | 1 | 1 | 1 | 1 | 0 |
| +18 | 1 | 1 | 1 | 1 | 0 | 1 |
| +17 | 1 | 1 | 1 | 1 | 0 | 0 |
| +16 | 1 | 1 | 1 | 0 | 1 | 1 |
| +15 | 1 | 1 | 1 | 0 | 1 | 0 |
| +14 | 1 | 1 | 1 | 0 | 0 | 1 |
| +13 | 1 | 1 | 1 | 0 | 0 | 0 |
| +12 | 1 | 1 | 0 | 1 | 1 | 1 |
| +11 | 1 | 1 | 0 | 1 | 1 | 0 |
| +10 | 1 | 1 | 0 | 1 | 0 | 1 |
| +9 | 1 | 1 | 0 | 1 | 0 | 0 |
| +8 | 1 | 1 | 0 | 0 | 1 | 1 |
| +7 | 1 | 1 | 0 | 0 | 1 | 0 |
| +6 | 1 | 1 | 0 | 0 | 0 | 1 |
| +5 | 1 | 1 | 0 | 0 | 0 | 0 |
| +4 | 1 | 0 | 1 | 1 | 1 | 1 |
| +3 | 1 | 0 | 1 | 1 | 1 | 0 |
| +2 | 1 | 0 | 1 | 1 | 0 | 1 |
| +1 | 1 | 0 | 1 | 1 | 0 | 0 |
| 0 | 1 | 0 | 1 | 0 | 1 | 1 |
| -1 | 1 | 0 | 1 | 0 | 1 | 0 |
| -2 | 1 | 0 | 1 | 0 | 0 | 1 |
| -3 | 1 | 0 | 1 | 0 | 0 | 0 |
| -4 | 1 | 0 | 0 | 1 | 1 | 1 |
| -5 | 1 | 0 | 0 | 1 | 1 | 0 |
| -6 | 1 | 0 | 0 | 1 | 0 | 1 |
| -7 | 1 | 0 | 0 | 1 | 0 | 0 |
| -8 | 1 | 0 | 0 | 0 | 1 | 1 |
| -9 | 1 | 0 | 0 | 0 | 1 | 0 |
| -10 | 1 | 0 | 0 | 0 | 0 | 1 |
| -11 | 1 | 0 | 0 | 0 | 0 | 0 |

Sound fader control circuit

TEA6321

| G _v (dB) | DATA | | | | | |
|---|------|----|----|----|----|----|
| | V5 | V4 | V3 | V2 | V1 | V0 |
| Loudness characteristic is constant in a range from -11 dB to -31 dB | | | | | | |
| -12 | 0 | 1 | 1 | 1 | 1 | 1 |
| -13 | 0 | 1 | 1 | 1 | 1 | 0 |
| -14 | 0 | 1 | 1 | 1 | 0 | 1 |
| -15 | 0 | 1 | 1 | 1 | 0 | 0 |
| -16 | 0 | 1 | 1 | 0 | 1 | 1 |
| -17 | 0 | 1 | 1 | 0 | 1 | 0 |
| -18 | 0 | 1 | 1 | 0 | 0 | 1 |
| -19 | 0 | 1 | 1 | 0 | 0 | 0 |
| -20 | 0 | 1 | 0 | 1 | 1 | 1 |
| -21 | 0 | 1 | 0 | 1 | 1 | 0 |
| -22 | 0 | 1 | 0 | 1 | 0 | 1 |
| -23 | 0 | 1 | 0 | 1 | 0 | 0 |
| -24 | 0 | 1 | 0 | 0 | 1 | 1 |
| -25 | 0 | 1 | 0 | 0 | 1 | 0 |
| -26 | 0 | 1 | 0 | 0 | 0 | 1 |
| -27 | 0 | 1 | 0 | 0 | 0 | 0 |
| -28 | 0 | 0 | 1 | 1 | 1 | 1 |
| -29 | 0 | 0 | 1 | 1 | 1 | 0 |
| -30 | 0 | 0 | 1 | 1 | 0 | 1 |
| -31 | 0 | 0 | 1 | 1 | 0 | 0 |
| Repetition of steps in a range from -28 dB to -31 dB | | | | | | |
| -28 | 0 | 0 | 1 | 0 | 1 | 1 |
| -29 | 0 | 0 | 1 | 0 | 1 | 0 |
| -30 | 0 | 0 | 1 | 0 | 0 | 1 |
| -31 | 0 | 0 | 1 | 0 | 0 | 0 |
| -28 | 0 | 0 | 0 | 1 | 1 | 1 |
| -29 | 0 | 0 | 0 | 1 | 1 | 0 |
| -30 | 0 | 0 | 0 | 1 | 0 | 1 |
| -31 | 0 | 0 | 0 | 1 | 0 | 0 |
| -28 | 0 | 0 | 0 | 0 | 1 | 1 |
| -29 | 0 | 0 | 0 | 0 | 1 | 0 |
| -30 | 0 | 0 | 0 | 0 | 0 | 1 |
| -31 | 0 | 0 | 0 | 0 | 0 | 0 |

Sound fader control circuit

TEA6321

Table 4 Volume II setting (fader and balance); note 1

| G_v (dB) | DATA | | | | | |
|---------------|------|------|------|------|------|------|
| | FRR5 | FRR4 | FRR3 | FRR2 | FRR1 | FRR0 |
| | FRL5 | FRL4 | FRL3 | FRL2 | FRL1 | FRL0 |
| | FFL5 | FFL4 | FFL3 | FFL2 | FFL1 | FFL0 |
| | FFR5 | FFR4 | FFR3 | FFR2 | FFR1 | FFR0 |
| 0 | 1 | 1 | 1 | 1 | 1 | 1 |
| -1 | 1 | 1 | 1 | 1 | 1 | 0 |
| -2 | 1 | 1 | 1 | 1 | 0 | 1 |
| -3 | 1 | 1 | 1 | 1 | 0 | 0 |
| -4 | 1 | 1 | 1 | 0 | 1 | 1 |
| -5 | 1 | 1 | 1 | 0 | 1 | 0 |
| -6 | 1 | 1 | 1 | 0 | 0 | 1 |
| -7 | 1 | 1 | 1 | 0 | 0 | 0 |
| -8 | 1 | 1 | 0 | 1 | 1 | 1 |
| -9 | 1 | 1 | 0 | 1 | 1 | 0 |
| -10 | 1 | 1 | 0 | 1 | 0 | 1 |
| -11 | 1 | 1 | 0 | 1 | 0 | 0 |
| -12 | 1 | 1 | 0 | 0 | 1 | 1 |
| -13 | 1 | 1 | 0 | 0 | 1 | 0 |
| -14 | 1 | 1 | 0 | 0 | 0 | 1 |
| -15 | 1 | 1 | 0 | 0 | 0 | 0 |
| -16 | 1 | 0 | 1 | 1 | 1 | 1 |
| -17 | 1 | 0 | 1 | 1 | 1 | 0 |
| -18 | 1 | 0 | 1 | 1 | 0 | 1 |
| -19 | 1 | 0 | 1 | 1 | 0 | 0 |
| -20 | 1 | 0 | 1 | 0 | 1 | 1 |
| -21 | 1 | 0 | 1 | 0 | 1 | 0 |
| -22 | 1 | 0 | 1 | 0 | 0 | 1 |
| -23 | 1 | 0 | 1 | 0 | 0 | 0 |
| -24 | 1 | 0 | 0 | 1 | 1 | 1 |
| -25 | 1 | 0 | 0 | 1 | 1 | 0 |
| -26 | 1 | 0 | 0 | 1 | 0 | 1 |
| -27 | 1 | 0 | 0 | 1 | 0 | 0 |
| -28 | 1 | 0 | 0 | 0 | 1 | 1 |
| -29 | 1 | 0 | 0 | 0 | 1 | 0 |
| -30 | 1 | 0 | 0 | 0 | 0 | 1 |
| -31 | 1 | 0 | 0 | 0 | 0 | 0 |
| -32 | 0 | 1 | 1 | 1 | 1 | 1 |
| -33 | 0 | 1 | 1 | 1 | 1 | 0 |
| -34 | 0 | 1 | 1 | 1 | 0 | 1 |

Sound fader control circuit

TEA6321

| G_v (dB) | DATA | | | | | |
|---------------|------|------|------|------|------|------|
| | FRR5 | FRR4 | FRR3 | FRR2 | FRR1 | FRR0 |
| | FRL5 | FRL4 | FRL3 | FRL2 | FRL1 | FRL0 |
| | FFL5 | FFL4 | FFL3 | FFL2 | FFL1 | FFL0 |
| | FFR5 | FFR4 | FFR3 | FFR2 | FFR1 | FFR0 |
| -35 | 0 | 1 | 1 | 1 | 0 | 0 |
| -36 | 0 | 1 | 1 | 0 | 1 | 1 |
| -37 | 0 | 1 | 1 | 0 | 1 | 0 |
| -38 | 0 | 1 | 1 | 0 | 0 | 1 |
| -39 | 0 | 1 | 1 | 0 | 0 | 0 |
| -40 | 0 | 1 | 0 | 1 | 1 | 1 |
| -41 | 0 | 1 | 0 | 1 | 1 | 0 |
| -42 | 0 | 1 | 0 | 1 | 0 | 1 |
| -43 | 0 | 1 | 0 | 1 | 0 | 0 |
| -44 | 0 | 1 | 0 | 0 | 1 | 1 |
| -45 | 0 | 1 | 0 | 0 | 1 | 0 |
| -46 | 0 | 1 | 0 | 0 | 0 | 1 |
| -47 | 0 | 1 | 0 | 0 | 0 | 0 |
| -48 | 0 | 0 | 1 | 1 | 1 | 1 |
| -49 | 0 | 0 | 1 | 1 | 1 | 0 |
| -50 | 0 | 0 | 1 | 1 | 0 | 1 |
| -51 | 0 | 0 | 1 | 1 | 0 | 0 |
| -52 | 0 | 0 | 1 | 0 | 1 | 1 |
| -53 | 0 | 0 | 1 | 0 | 1 | 0 |
| -54 | 0 | 0 | 1 | 0 | 0 | 1 |
| -55 | 0 | 0 | 1 | 0 | 0 | 0 |
| mute | 0 | 0 | 0 | 1 | 1 | 1 |
| mute | 0 | 0 | 0 | 1 | 1 | 0 |
| mute | 0 | 0 | 0 | 1 | 0 | 1 |
| mute | 0 | 0 | 0 | 1 | 0 | 0 |
| mute | 0 | 0 | 0 | 0 | 1 | 1 |
| mute | 0 | 0 | 0 | 0 | 1 | 0 |
| mute | 0 | 0 | 0 | 0 | 0 | 1 |
| mute | 0 | 0 | 0 | 0 | 0 | 0 |

Note

1. For a particular range the data is always the same, only the subaddress changes.

Sound fader control circuit

TEA6321

Table 5 Bass setting

| G_{bass} (dB) | DATA | | | | |
|---------------------------|------|-----|-----|-----|-----|
| | BA4 | BA3 | BA2 | BA1 | BA0 |
| +18.0 | 1 | 1 | 1 | 1 | 1 |
| +16.2 | 1 | 1 | 1 | 1 | 0 |
| +18.0 | 1 | 1 | 1 | 0 | 1 |
| +16.2 | 1 | 1 | 1 | 0 | 0 |
| +18.0 | 1 | 1 | 0 | 1 | 1 |
| +16.2 | 1 | 1 | 0 | 1 | 0 |
| +14.4 | 1 | 1 | 0 | 0 | 1 |
| +12.6 | 1 | 1 | 0 | 0 | 0 |
| +10.8 | 1 | 0 | 1 | 1 | 1 |
| +9.0 | 1 | 0 | 1 | 1 | 0 |
| +7.2 | 1 | 0 | 1 | 0 | 1 |
| +5.4 | 1 | 0 | 1 | 0 | 0 |
| +3.6 | 1 | 0 | 0 | 1 | 1 |
| +1.8 | 1 | 0 | 0 | 1 | 0 |
| 0 ⁽¹⁾ | 1 | 0 | 0 | 0 | 1 |
| 0 ⁽²⁾ | 1 | 0 | 0 | 0 | 0 |
| -1.8 | 0 | 1 | 1 | 1 | 1 |
| -3.6 | 0 | 1 | 1 | 1 | 0 |
| -5.4 | 0 | 1 | 1 | 0 | 1 |
| -7.2 | 0 | 1 | 1 | 0 | 0 |
| -9.0 | 0 | 1 | 0 | 1 | 1 |
| -10.8 | 0 | 1 | 0 | 1 | 0 |
| -12.6 | 0 | 1 | 0 | 0 | 1 |
| -14.4 | 0 | 1 | 0 | 0 | 0 |
| -16.2 | 0 | 0 | 1 | 1 | 1 |
| -18.0 | 0 | 0 | 1 | 1 | 0 |
| -16.2 | 0 | 0 | 1 | 0 | 1 |
| -18.0 | 0 | 0 | 1 | 0 | 0 |
| note 3 | 0 | 0 | 0 | 1 | 1 |
| note 3 | 0 | 0 | 0 | 1 | 0 |
| note 3 | 0 | 0 | 0 | 0 | 1 |
| notes 3 and 4 | 0 | 0 | 0 | 0 | 0 |

Notes

1. Recommended data word for step 0 dB.
2. Result of 1.8 dB boost and 1.8 dB attenuation.
3. The last four bass control data words mute the bass response.
4. The last bass control and treble control data words (00000) enable the external equalizer connection.

Sound fader control circuit

TEA6321

Table 6 Treble setting

| G_{treble} (dB) | DATA | | | | |
|-----------------------------|------|-----|-----|-----|-----|
| | TR4 | TR3 | TR2 | TR1 | TR0 |
| +12.0 | 1 | 1 | 1 | 1 | 1 |
| +10.5 | 1 | 1 | 1 | 1 | 0 |
| +12.0 | 1 | 1 | 1 | 0 | 1 |
| +10.5 | 1 | 1 | 1 | 0 | 0 |
| +12.0 | 1 | 1 | 0 | 1 | 1 |
| +10.5 | 1 | 1 | 0 | 1 | 0 |
| +12.0 | 1 | 1 | 0 | 0 | 1 |
| +10.5 | 1 | 1 | 0 | 0 | 0 |
| +9.0 | 1 | 0 | 1 | 1 | 1 |
| +7.5 | 1 | 0 | 1 | 1 | 0 |
| +6.0 | 1 | 0 | 1 | 0 | 1 |
| +4.5 | 1 | 0 | 1 | 0 | 0 |
| +3.0 | 1 | 0 | 0 | 1 | 1 |
| +1.5 | 1 | 0 | 0 | 1 | 0 |
| 0 ⁽¹⁾ | 1 | 0 | 0 | 0 | 1 |
| 0 ⁽²⁾ | 1 | 0 | 0 | 0 | 0 |
| -1.5 | 0 | 1 | 1 | 1 | 1 |
| -3.0 | 0 | 1 | 1 | 1 | 0 |
| -4.5 | 0 | 1 | 1 | 0 | 1 |
| -6.0 | 0 | 1 | 1 | 0 | 0 |
| -7.5 | 0 | 1 | 0 | 1 | 1 |
| -9.0 | 0 | 1 | 0 | 1 | 0 |
| -10.5 | 0 | 1 | 0 | 0 | 1 |
| -12.0 | 0 | 1 | 0 | 0 | 0 |
| note 3 | 0 | 0 | 1 | 1 | 1 |
| note 3 | 0 | 0 | 1 | 1 | 0 |
| note 3 | 0 | 0 | 1 | 0 | 1 |
| note 3 | 0 | 0 | 1 | 0 | 0 |
| note 3 | 0 | 0 | 0 | 1 | 1 |
| note 3 | 0 | 0 | 0 | 1 | 0 |
| note 3 | 0 | 0 | 0 | 0 | 1 |
| notes 3 and 4 | 0 | 0 | 0 | 0 | 0 |

Notes

1. Recommended data word for step 0 dB.
2. Result of 1.5 dB boost and 1.5 dB attenuation.
3. The last eight treble control data words select treble output.
4. The last treble control and bass control data words (00000) enable the external equalizer connection.

Sound fader control circuit

TEA6321

Table 7 Loudness setting

| CHARACTERISTIC | DATA LOFF |
|----------------|-----------|
| With loudness | 0 |
| Linear | 1 |

Table 8 Selected input

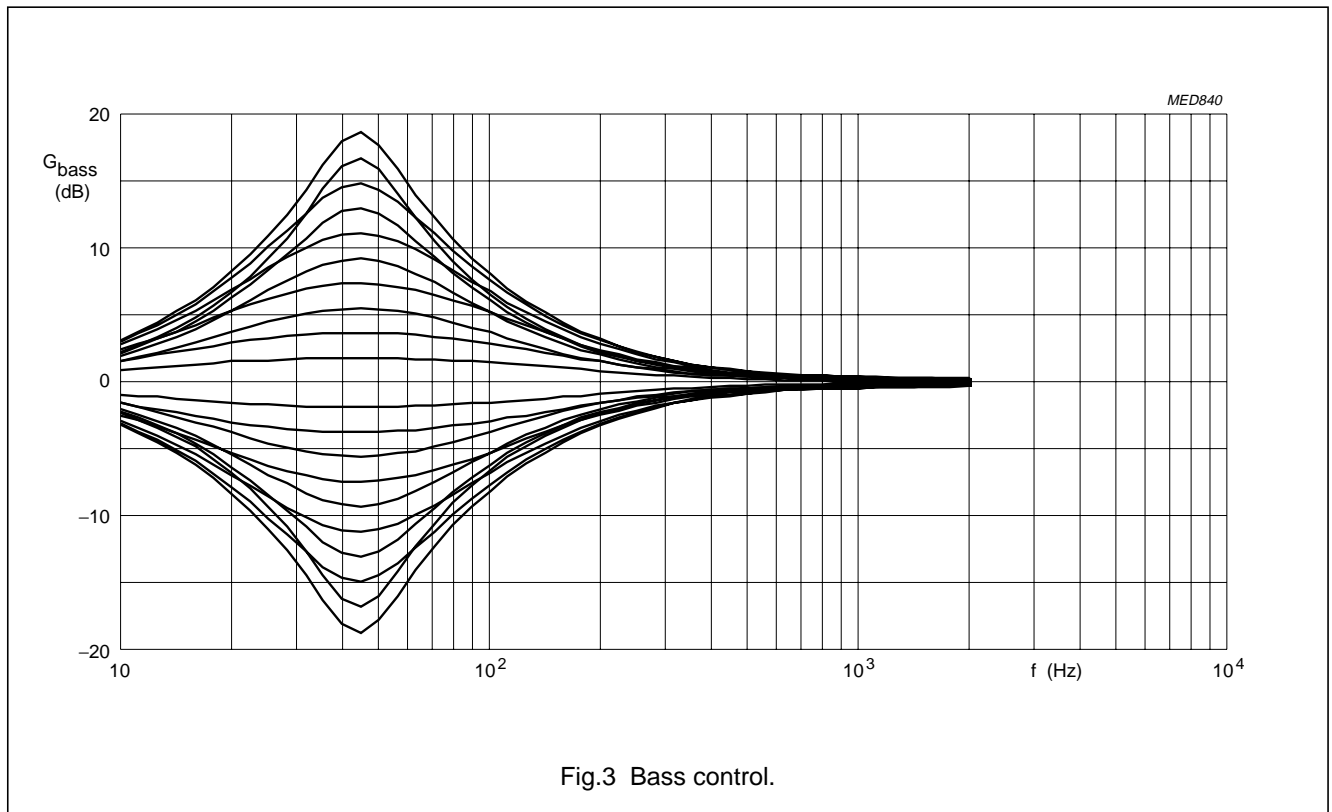
| FUNCTION | DATA | | |
|---------------------------|------|------------------|------------------|
| | SC2 | SC1 | SC0 |
| Stereo inputs IAL and IAR | 1 | 1 | 1 |
| Stereo inputs IBL and IBR | 1 | 1 | 0 |
| Stereo inputs ICL and ICR | 1 | 0 | 1 |
| Stereo inputs IDL and IDR | 1 | 0 | 0 |
| Mono input IMO | 0 | X ⁽¹⁾ | X ⁽¹⁾ |

Table 9 Mute mode

| FUNCTION | DATA | |
|---|------|-----|
| | GMU | ZCM |
| Direct mute off | 0 | 0 |
| Mute off delayed until the next zero crossing | 0 | 1 |
| Direct mute | 1 | 0 |
| Mute delayed until the next zero crossing | 1 | 1 |

Note

1. X = don't care bits (logic 1 during testing).



Sound fader control circuit

TEA6321

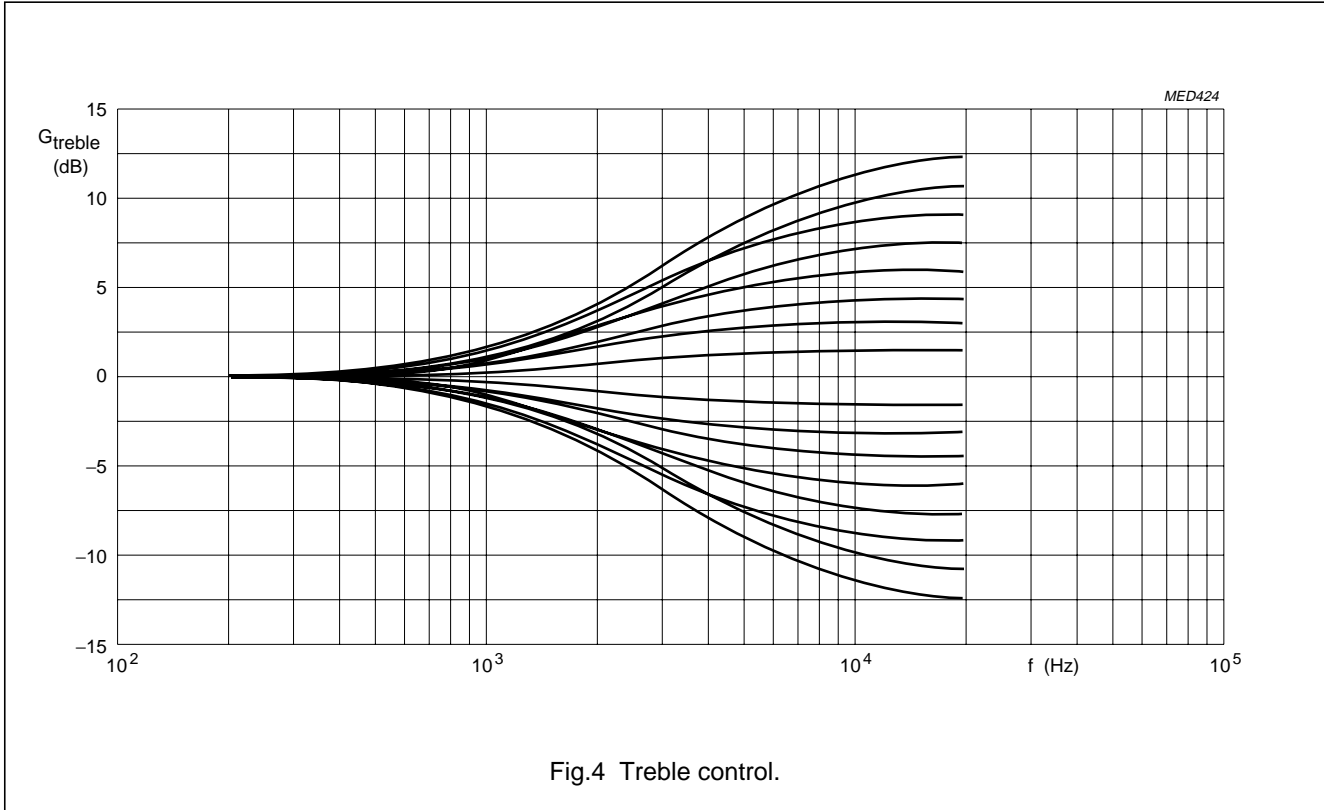


Fig.4 Treble control.

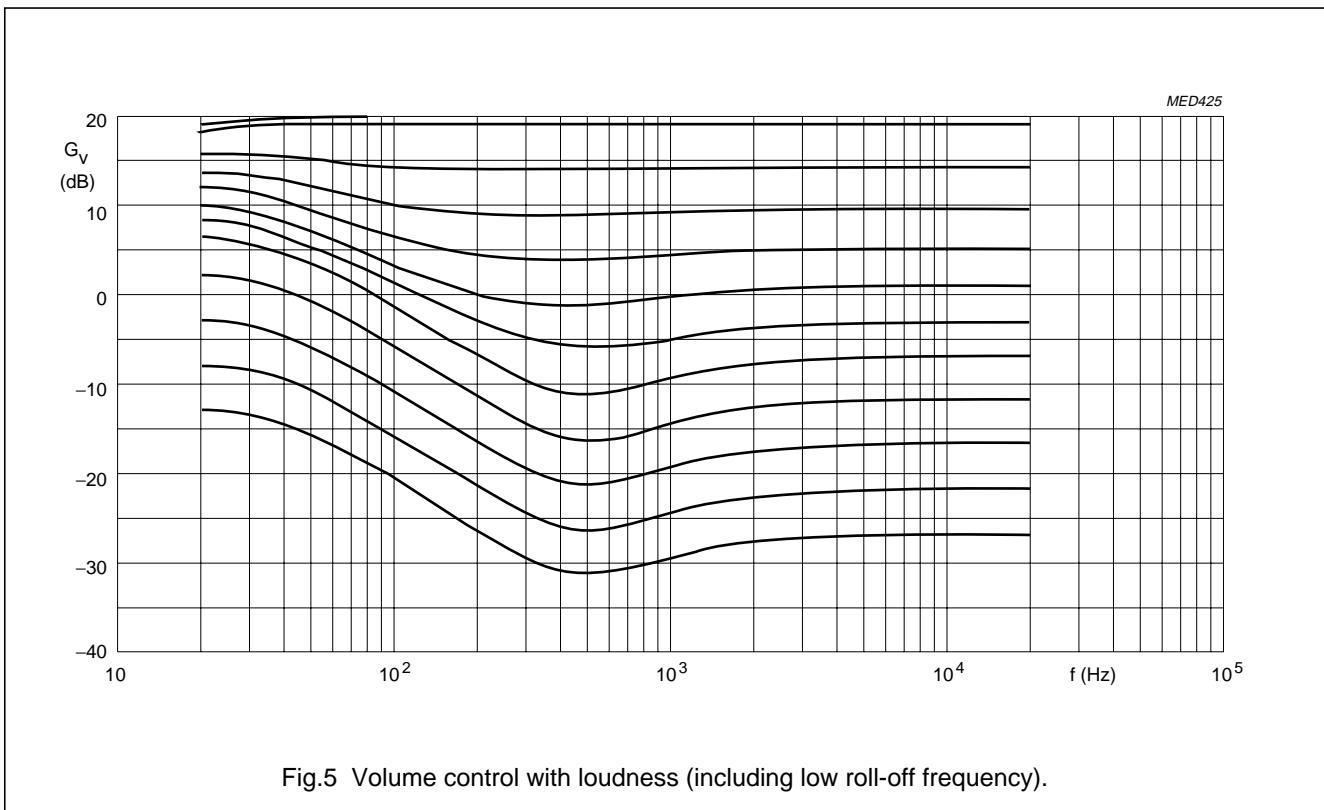
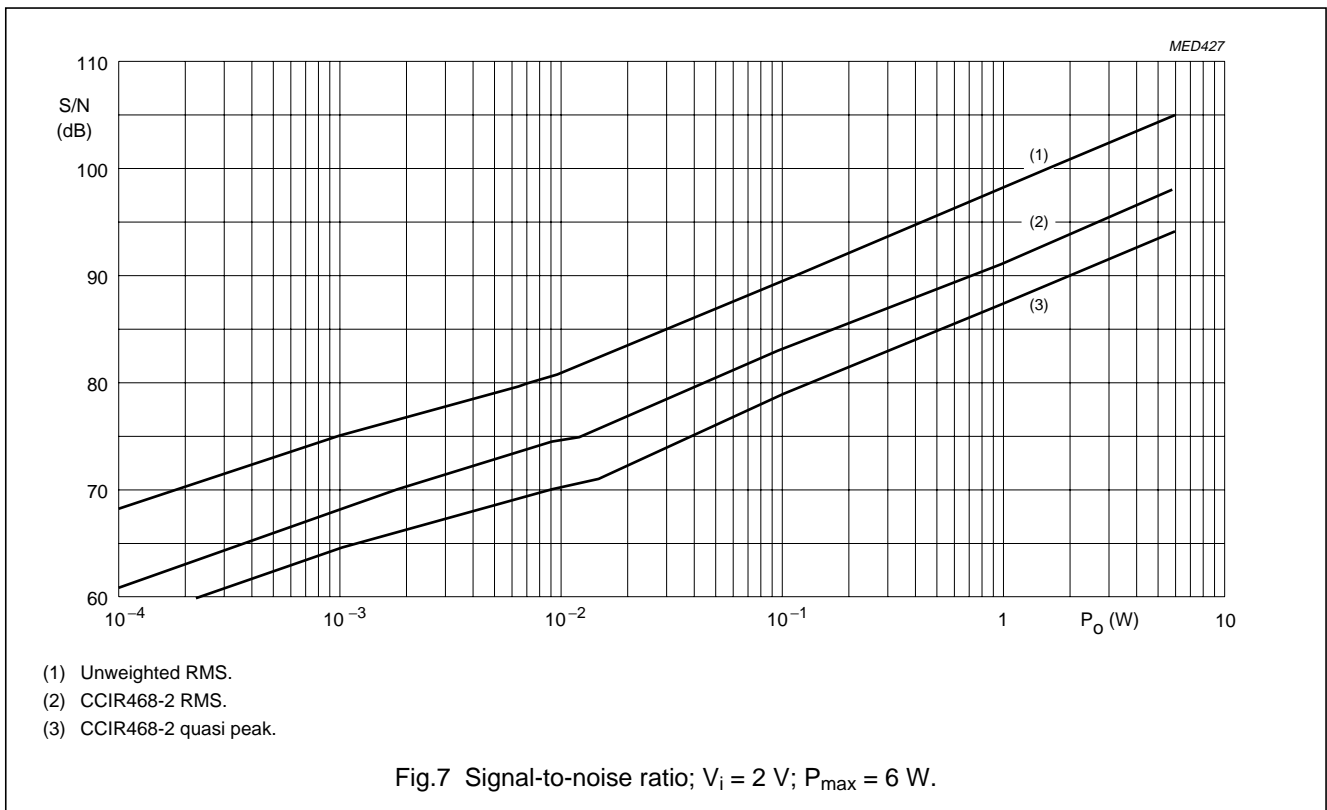
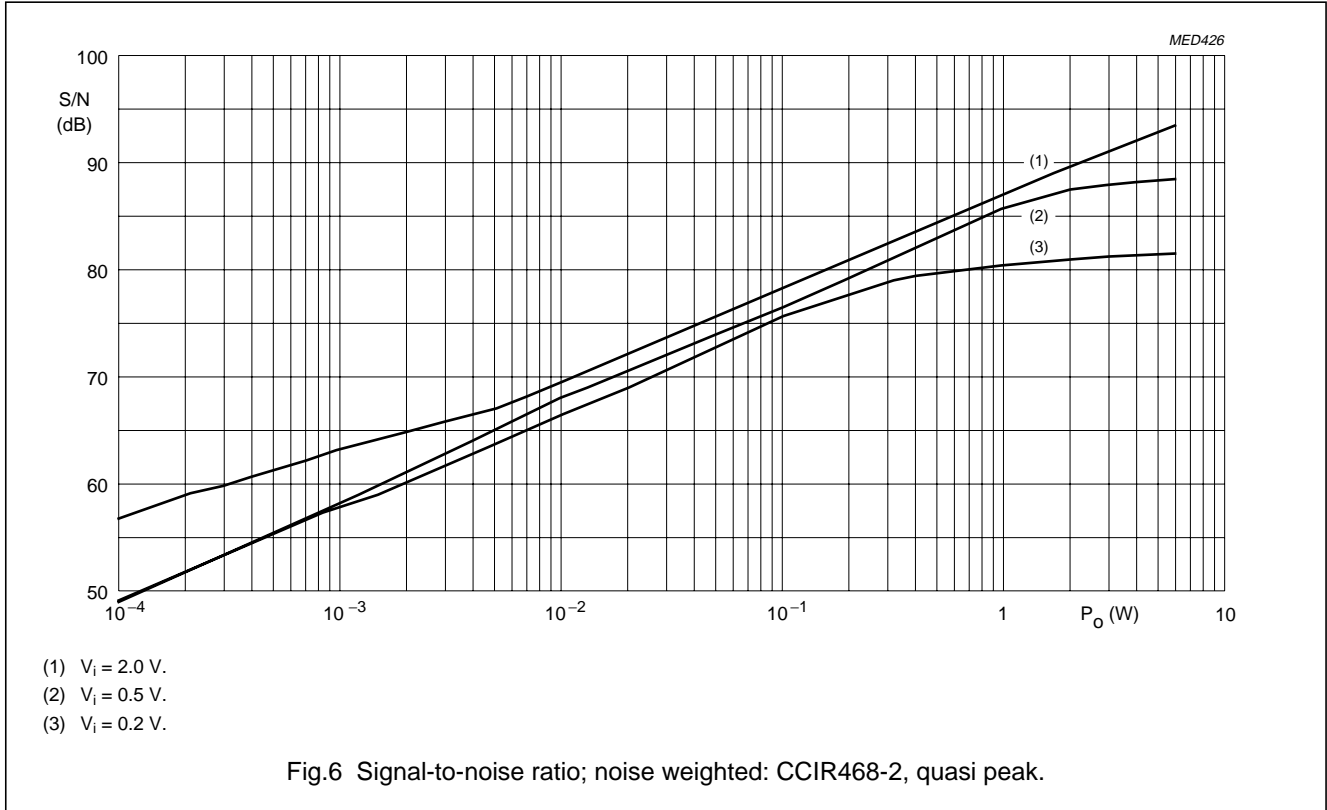


Fig.5 Volume control with loudness (including low roll-off frequency).

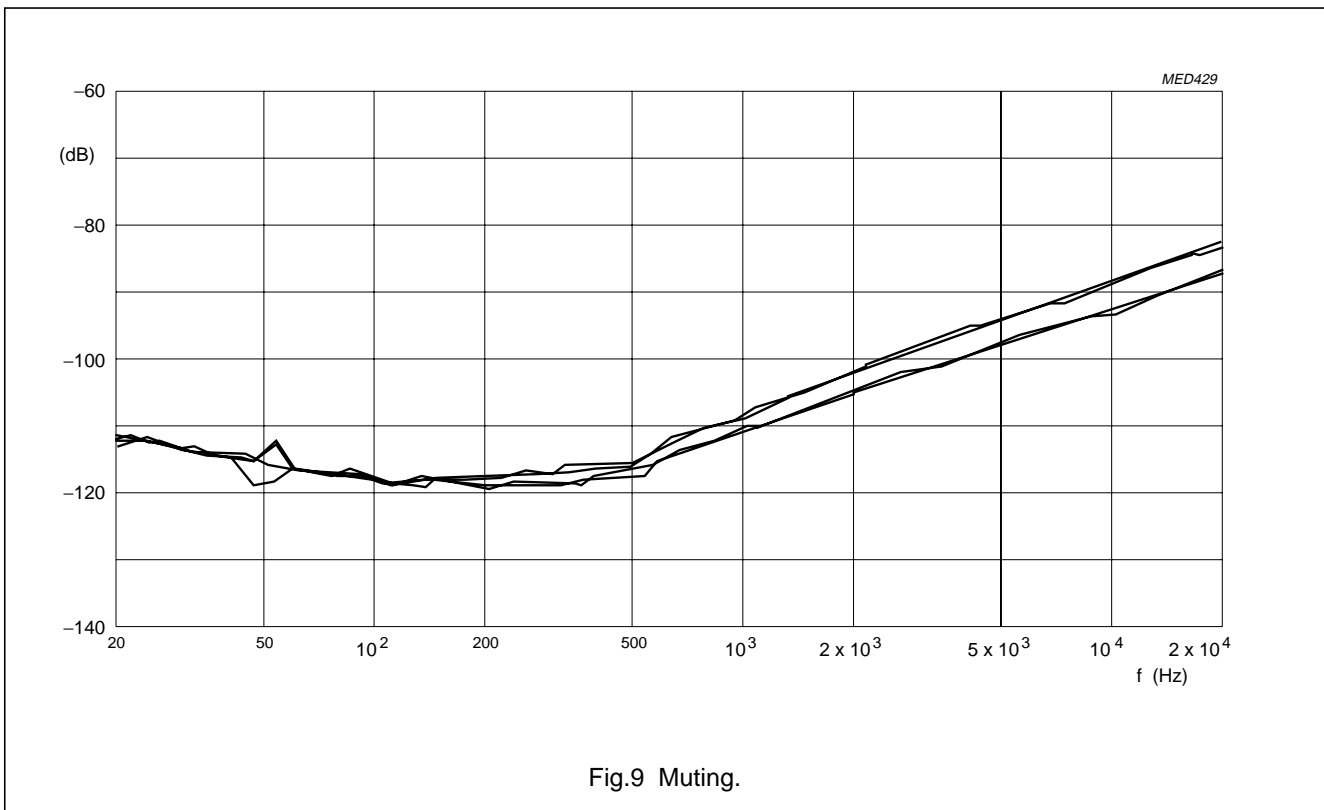
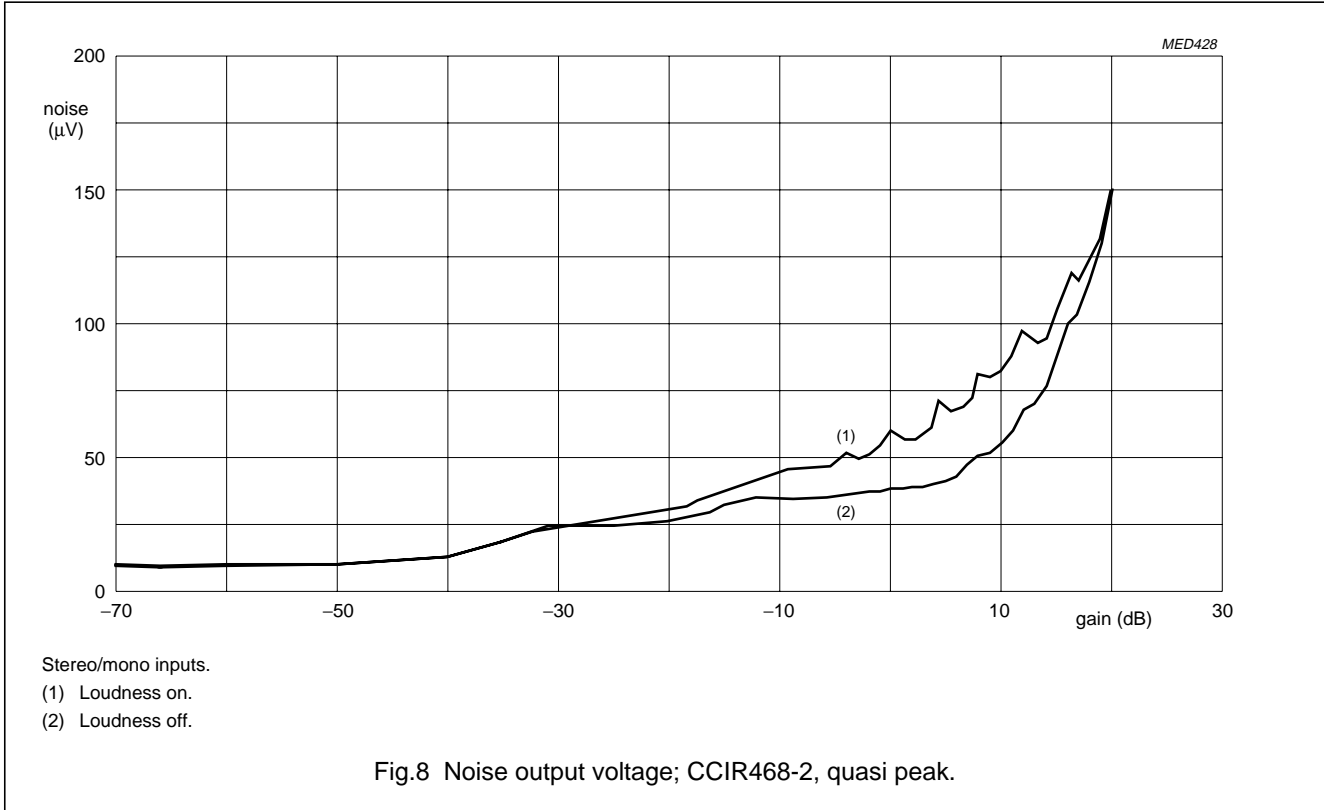
Sound fader control circuit

TEA6321



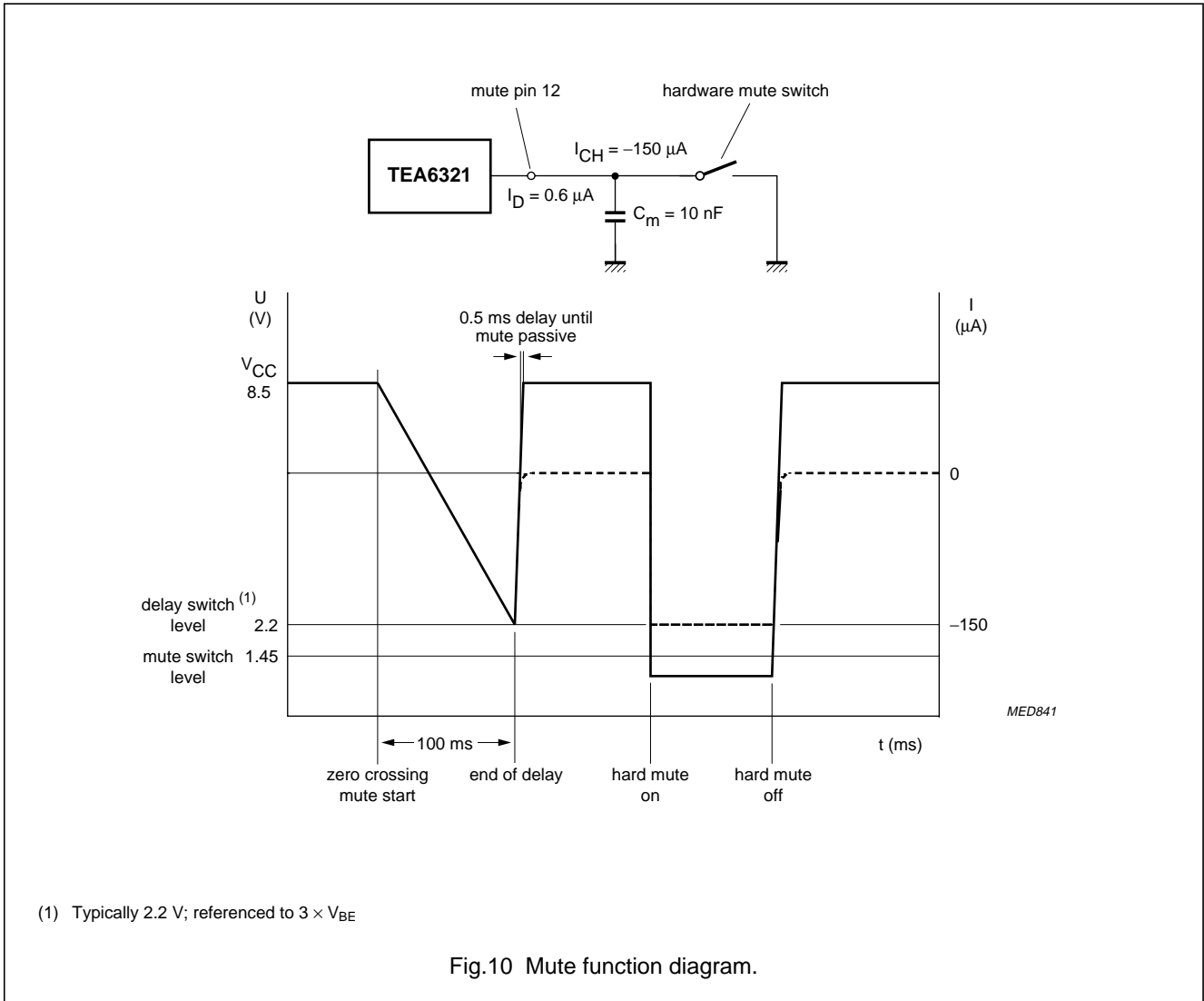
Sound fader control circuit

TEA6321



Sound fader control circuit

TEA6321

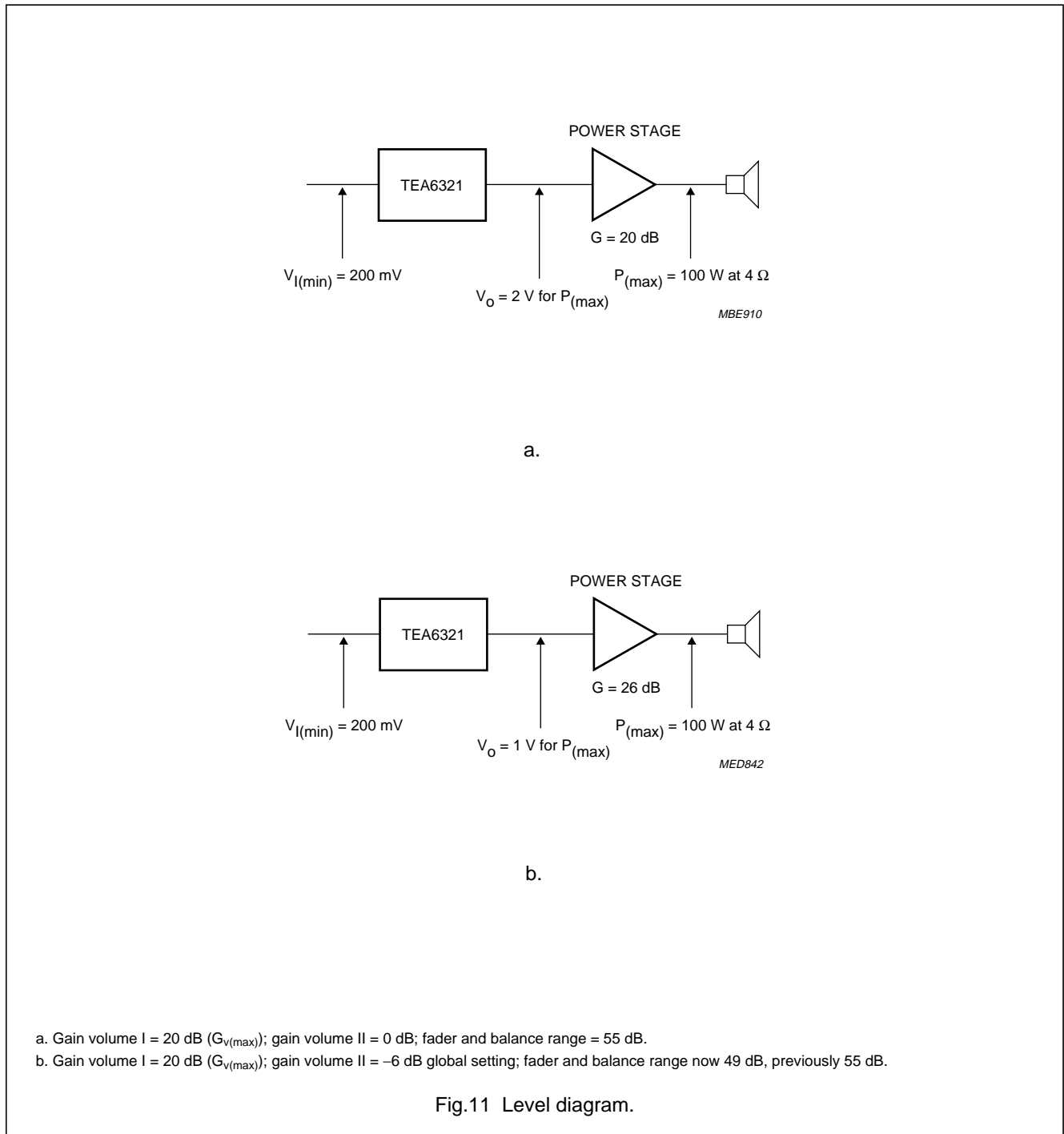


Sound fader control circuit

TEA6321

If the 20 dB gain is not required for the maximum volume position, it will be an advantage to use the maximum boost gain and then increased attenuation in the last section, Volume II.

Therefore the loudness will be at the correct place and a lower noise and offset voltage will be achieved.



Sound fader control circuit

TEA6321

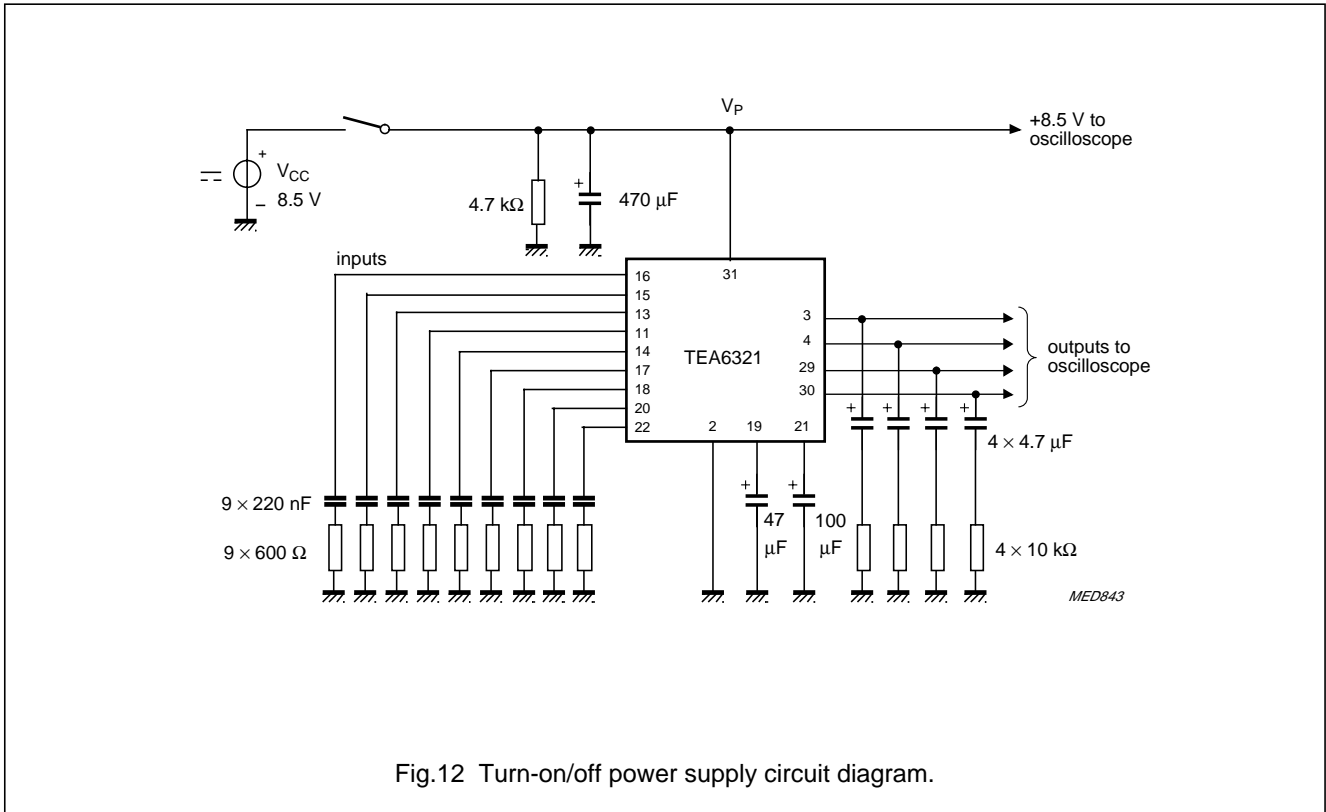


Fig.12 Turn-on/off power supply circuit diagram.

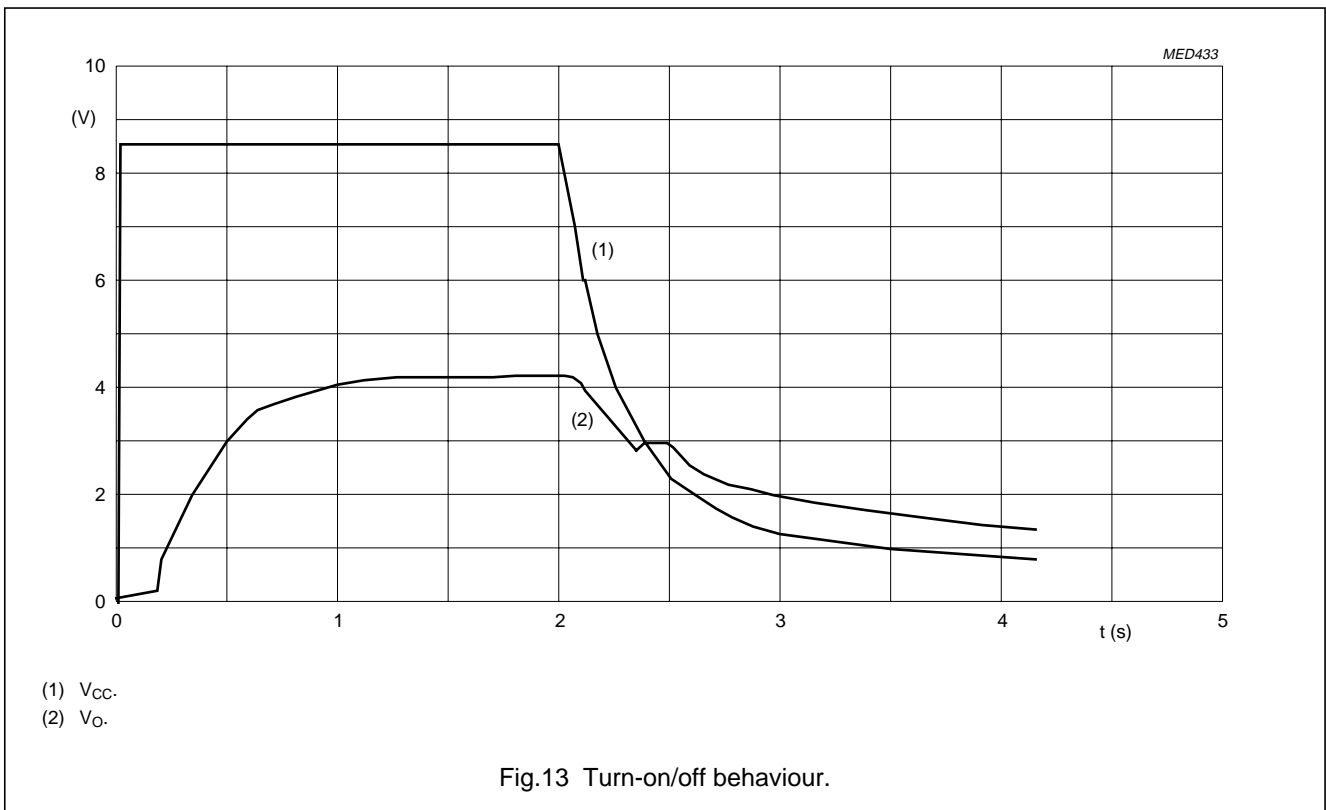


Fig.13 Turn-on/off behaviour.

Sound fader control circuit

TEA6321

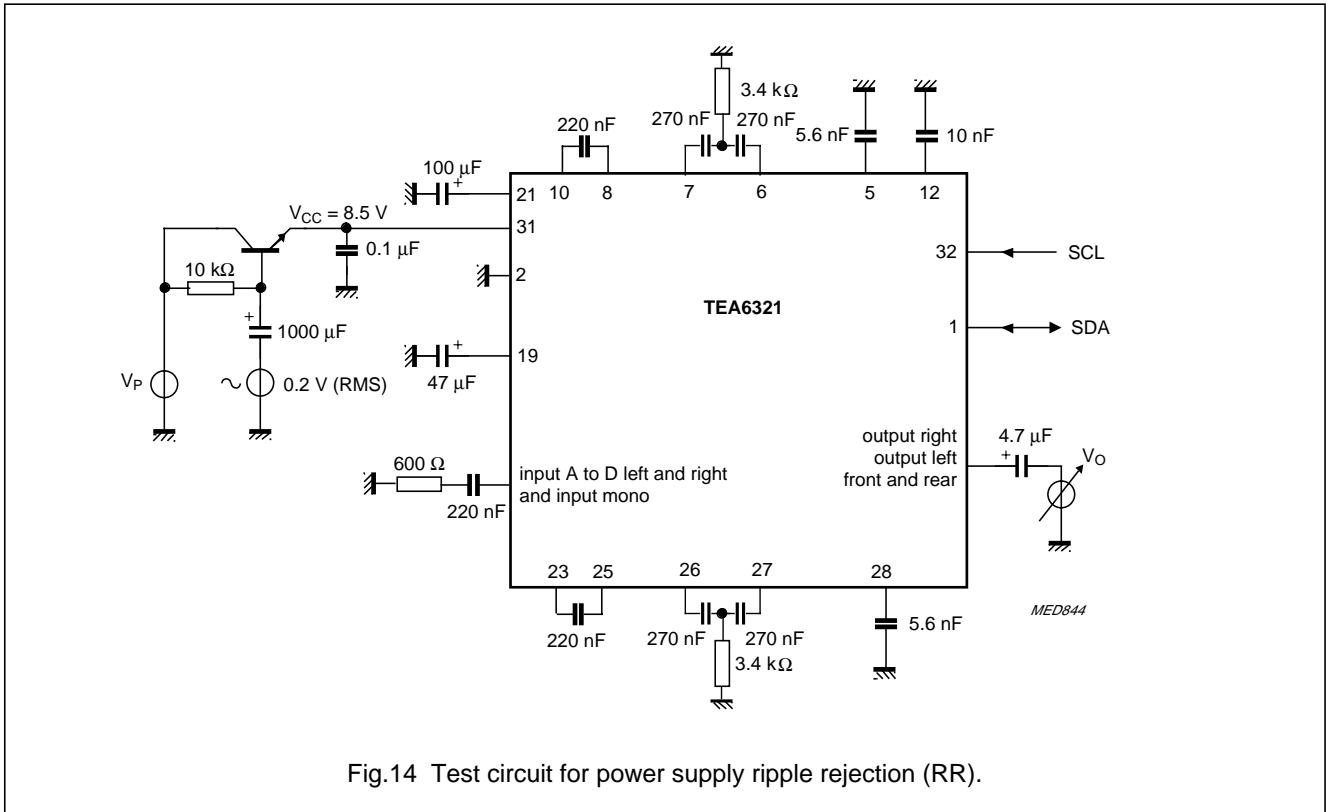


Fig.14 Test circuit for power supply ripple rejection (RR).

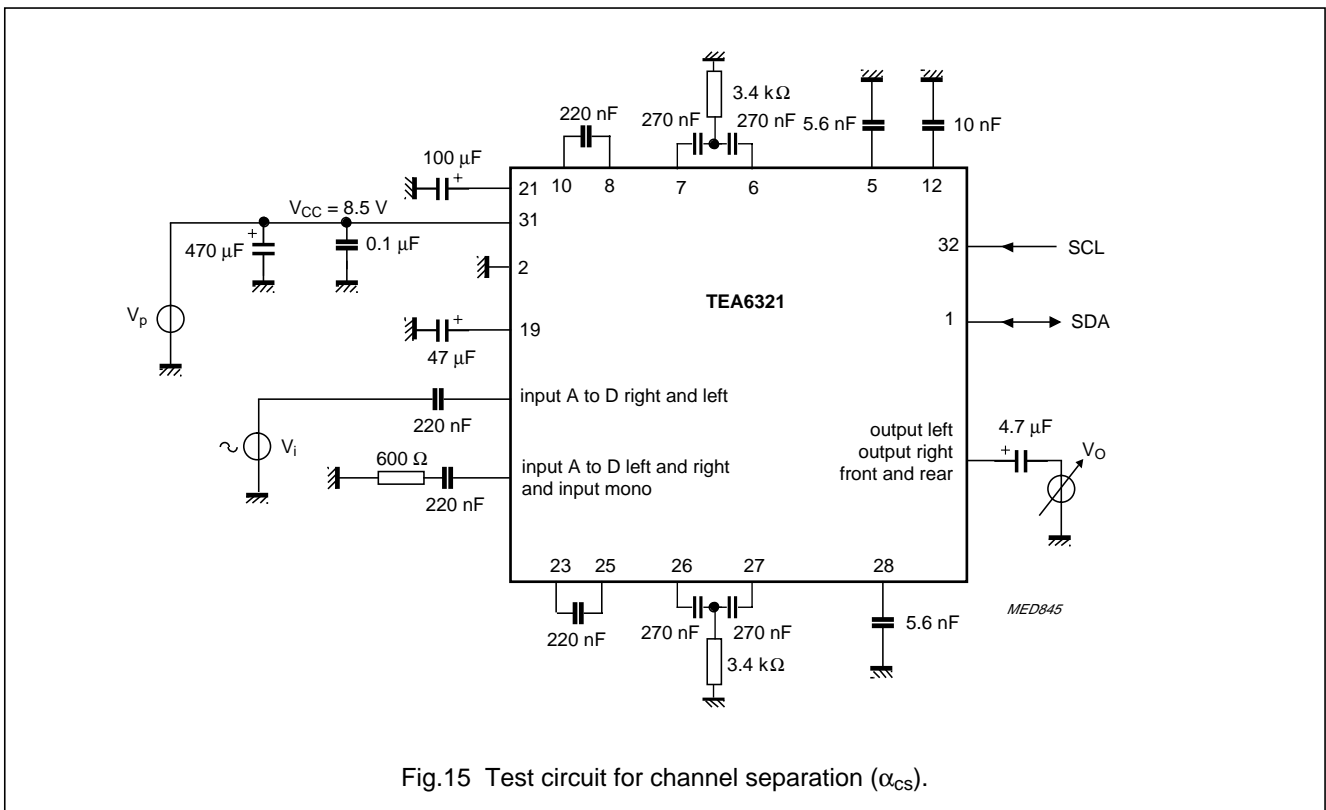


Fig.15 Test circuit for channel separation (α_{CS}).

Sound fader control circuit

TEA6321

Selection of input signals by using the zero crossing mute mode

A selection from input A (IAL) to input B (IBL) left sources produces a modulation click depending on the difference of the signal values at the time of switching.

At t_1 the maximum possible difference between signals is 7 V(p-p) (see Fig.16) and gives a large click. Using the cross detector no modulation click is audible.

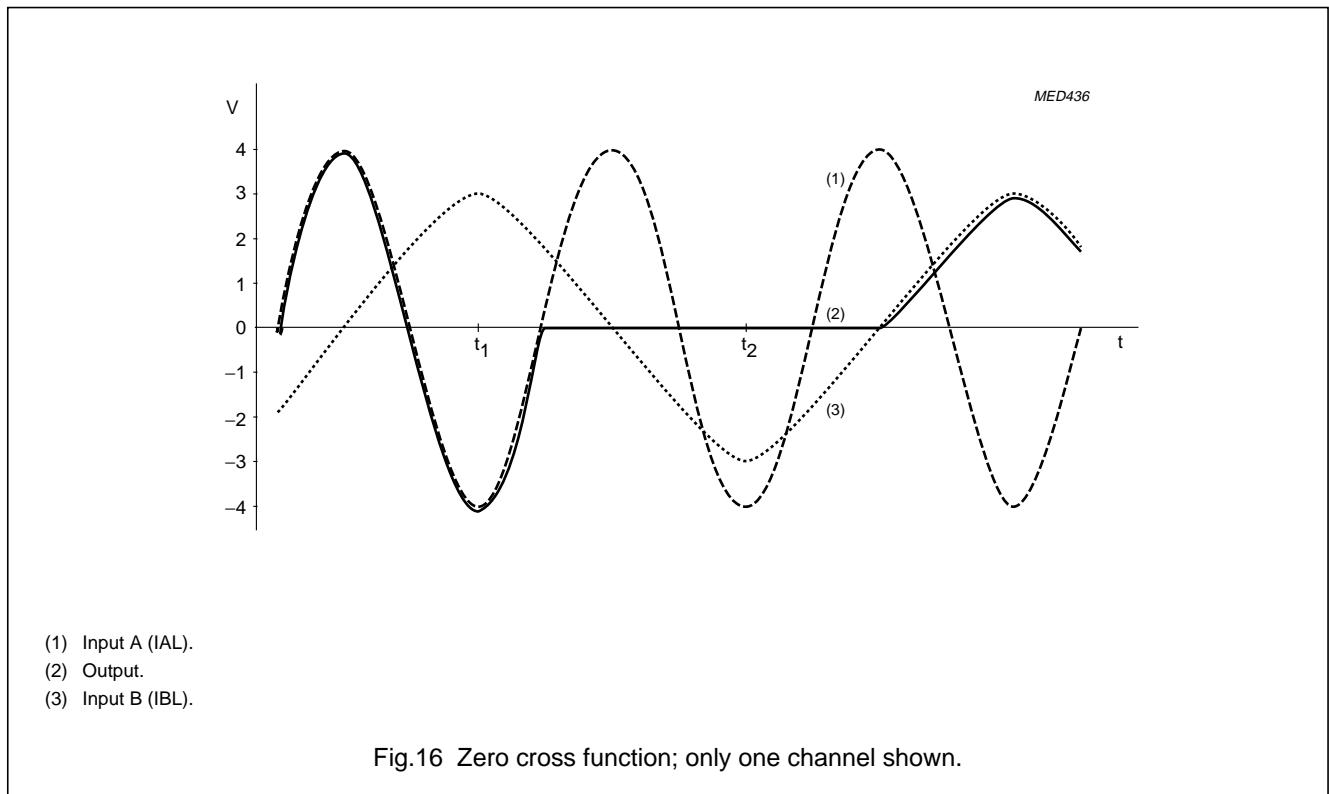
For example: The selection is enabled at t_1 , the microcontroller sets the zero cross bit (ZCM = 1) and then the mute bit (GMU = 1) via the I²C-bus. The output signal

follows the input A signal, until the next zero crossing occurs and then activates mute.

After a fixed delay time at t_2 , the microcontroller sends the bits for input switching and mute inactive.

The output signal remains muted until the next signal zero crossing of input B (IBL) occurs, and then follows that signal.

The delay time $t_2 - t_1$ is e.g. 40 ms. Therefore the capacity $C_m = 3.3$ nF. The zero cross function is working at the lowest frequency of 40 Hz determined by the C_m capacitor.



Sound fader control circuit

TEA6321

Loudness filter calculation example

Figure 17 shows the basic loudness circuit with an external low-pass filter application. R1 allows an attenuation range of 21 dB while the boost is determined by the gain stage V₂. Both result in a loudness control range of +20 to -12 dB.

Defining f_{ref} as the frequency where the level does not change while switching loudness on/off. The external resistor R3 for f_{ref} → ∞ can be calculated as:

$$R3 = R1 \frac{10^{\frac{G_v}{20}}}{1 - 10^{\frac{G_v}{20}}}$$

With G_v = -21 dB and R1 = 33 kΩ,

R3 = 3.2 kΩ is generated.

For the low-pass filter characteristic the value of the external capacitor C1 can be determined by setting a specific boost for a defined frequency and referring the gain to G_v at f_{ref} as indicated above.

$$\left| \frac{1}{j(\omega C1)} \right| = \frac{(R1 + R3) \times 10^{\frac{G_v}{20}} - R3}{1 - 10^{\frac{G_v}{20}}}$$

For example: 3 dB boost at f = 1 kHz
 G_v = G_{v(ref)} + 3 dB = -18 dB; f = 1 kHz and C1 = 100 nF.

If a loudness characteristic with additional high frequency boost is desired, an additional high-pass section has to be included in the external filter circuit as indicated in the block diagram. A filter configuration that provides AC coupling avoids offset voltage problems.

Figure 18 shows an example of the loudness circuit with bass and treble boost. The calculation of this network is numeric.

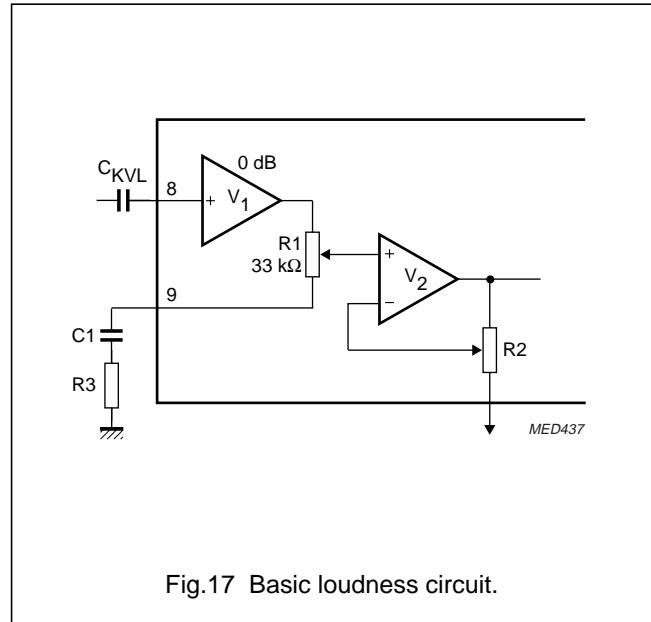


Fig.17 Basic loudness circuit.

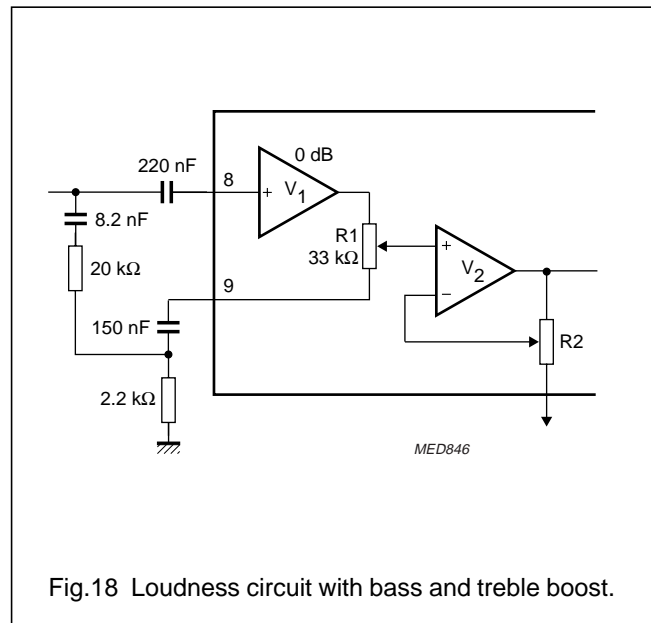


Fig.18 Loudness circuit with bass and treble boost.

Sound fader control circuit

TEA6321

INTERNAL PIN CONFIGURATIONS

Values shown in Figs 19 to 31 are typical DC values;
 $V_{CC} = 8.5 V$.

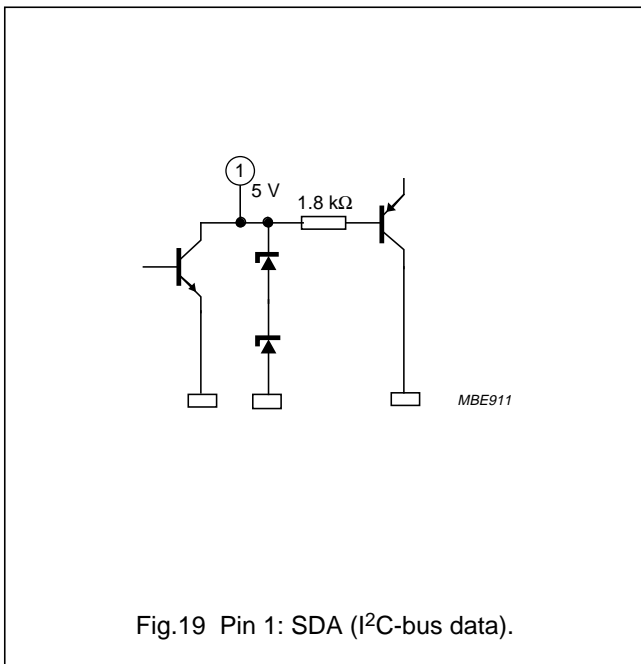


Fig.19 Pin 1: SDA (I²C-bus data).

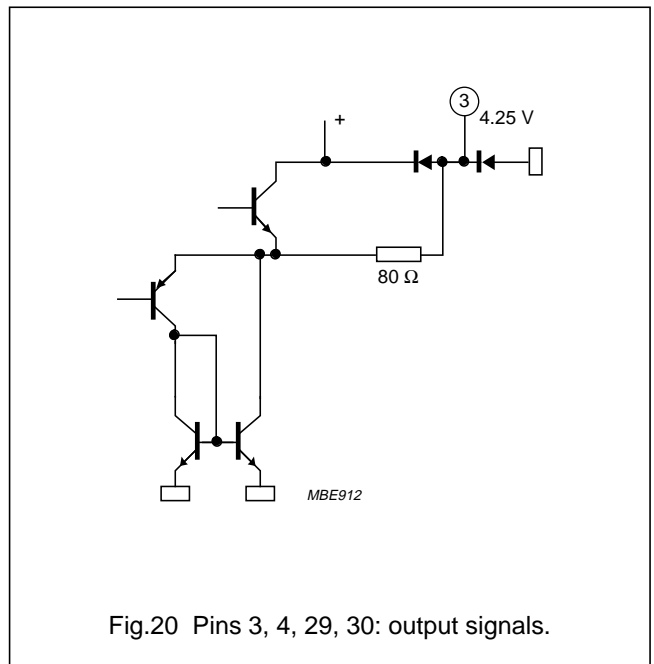


Fig.20 Pins 3, 4, 29, 30: output signals.

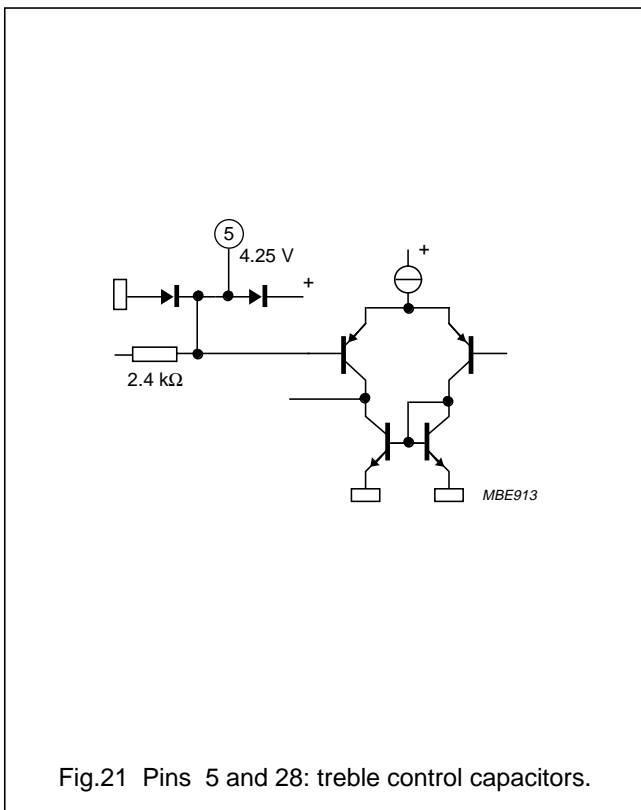


Fig.21 Pins 5 and 28: treble control capacitors.

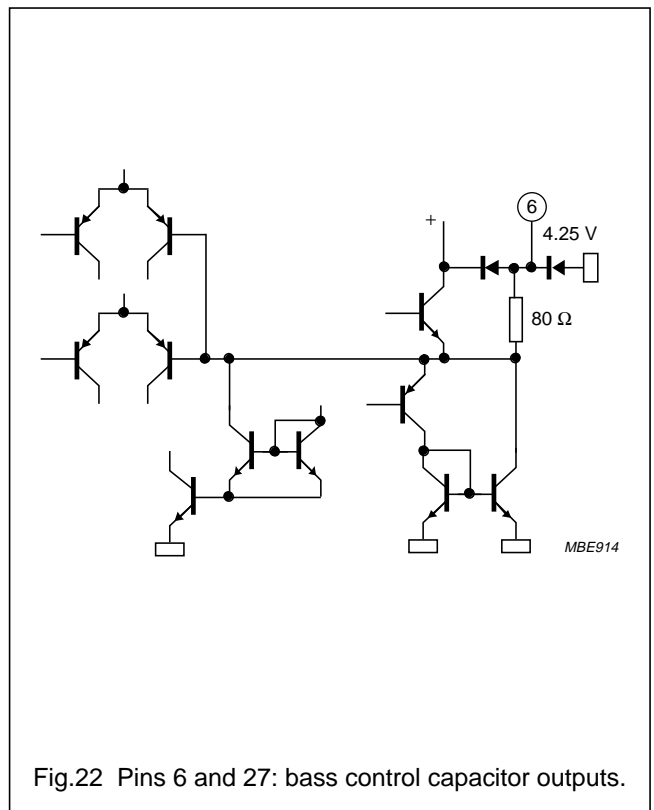


Fig.22 Pins 6 and 27: bass control capacitor outputs.

Sound fader control circuit

TEA6321

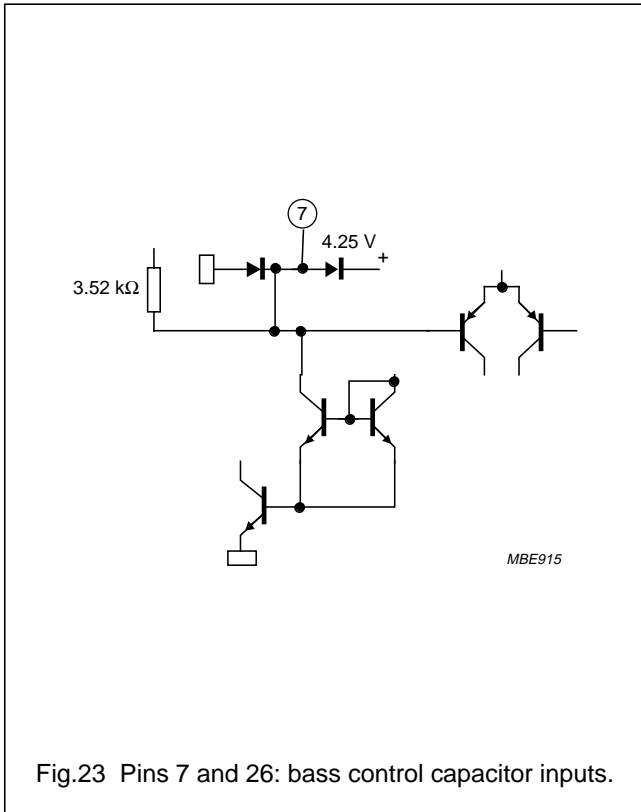


Fig.23 Pins 7 and 26: bass control capacitor inputs.

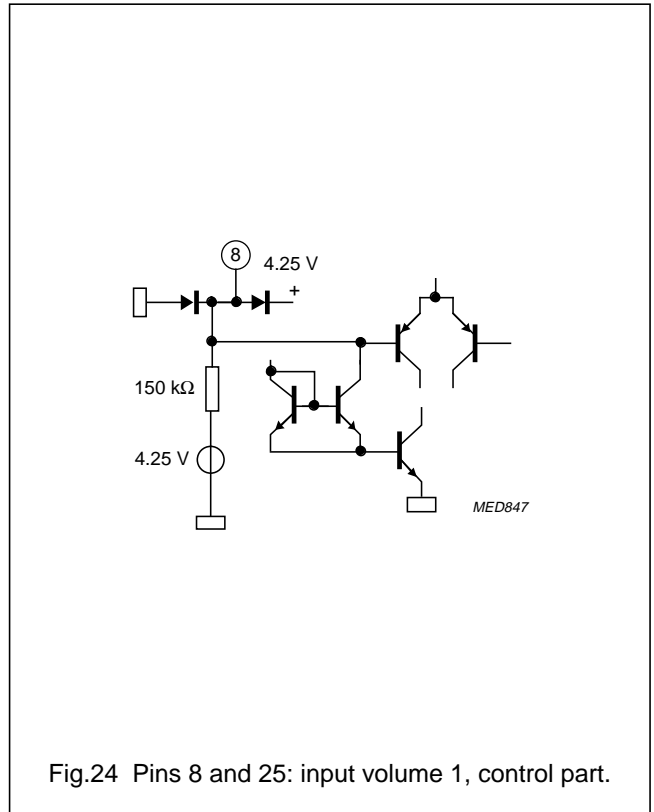


Fig.24 Pins 8 and 25: input volume 1, control part.

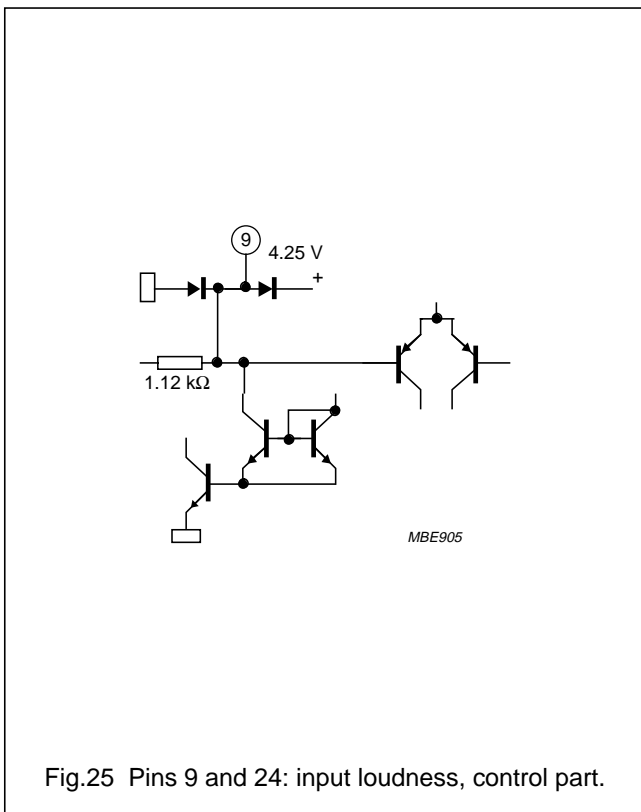


Fig.25 Pins 9 and 24: input loudness, control part.

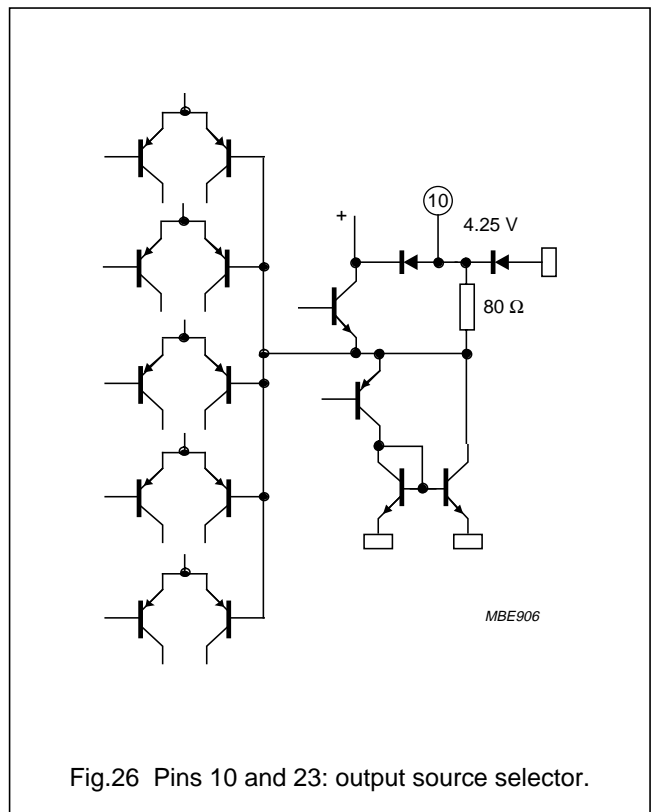
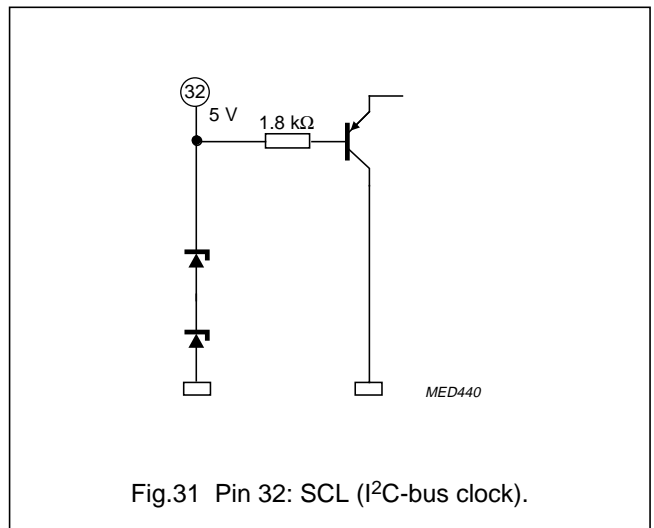
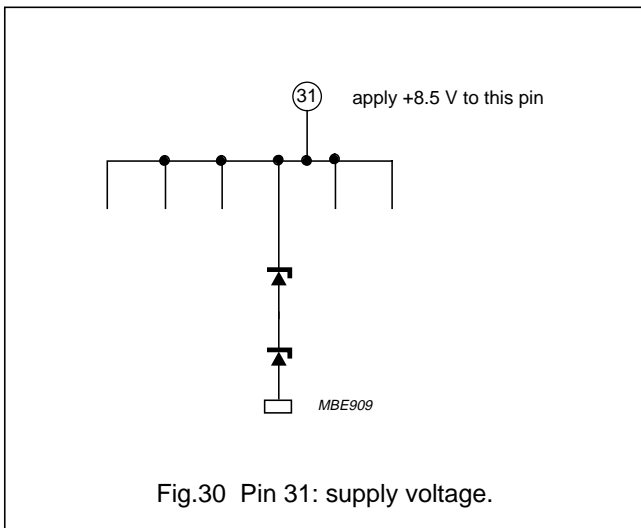
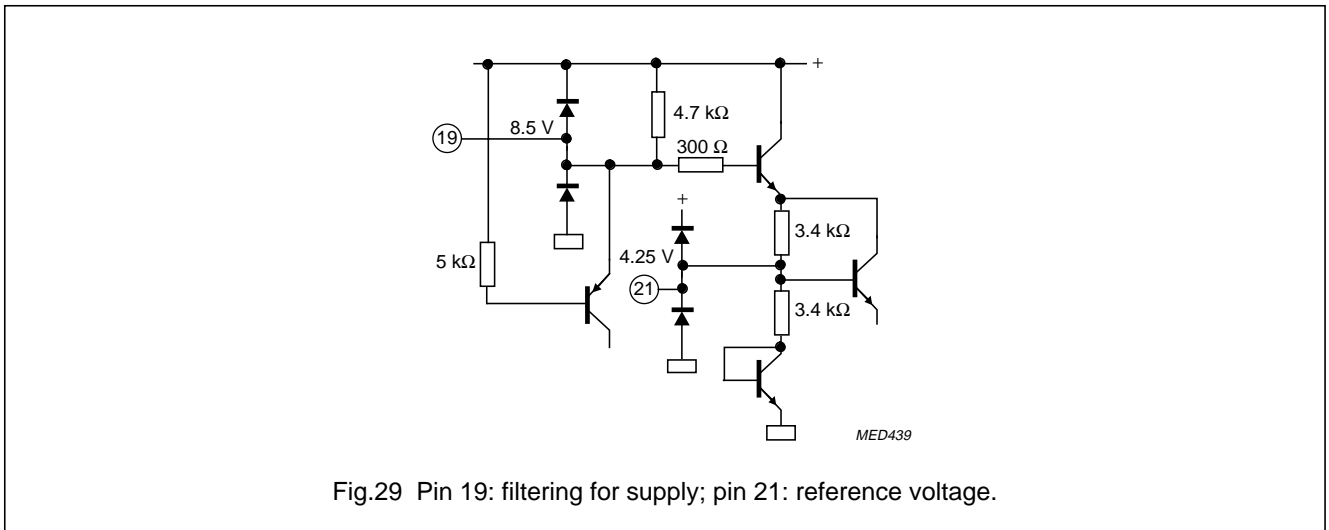
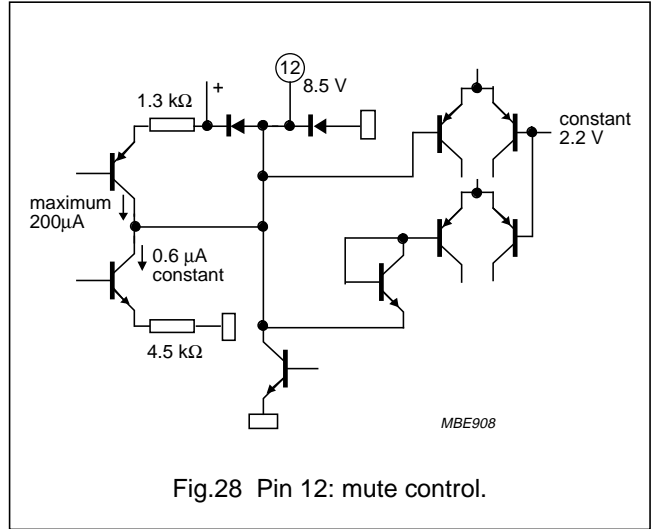
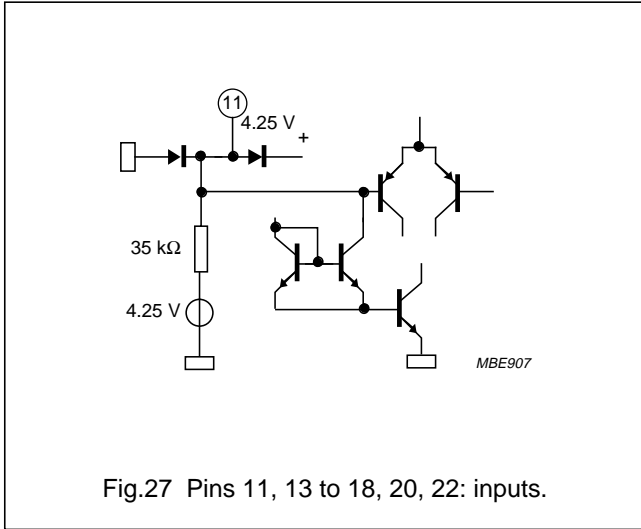


Fig.26 Pins 10 and 23: output source selector.

Sound fader control circuit

TEA6321



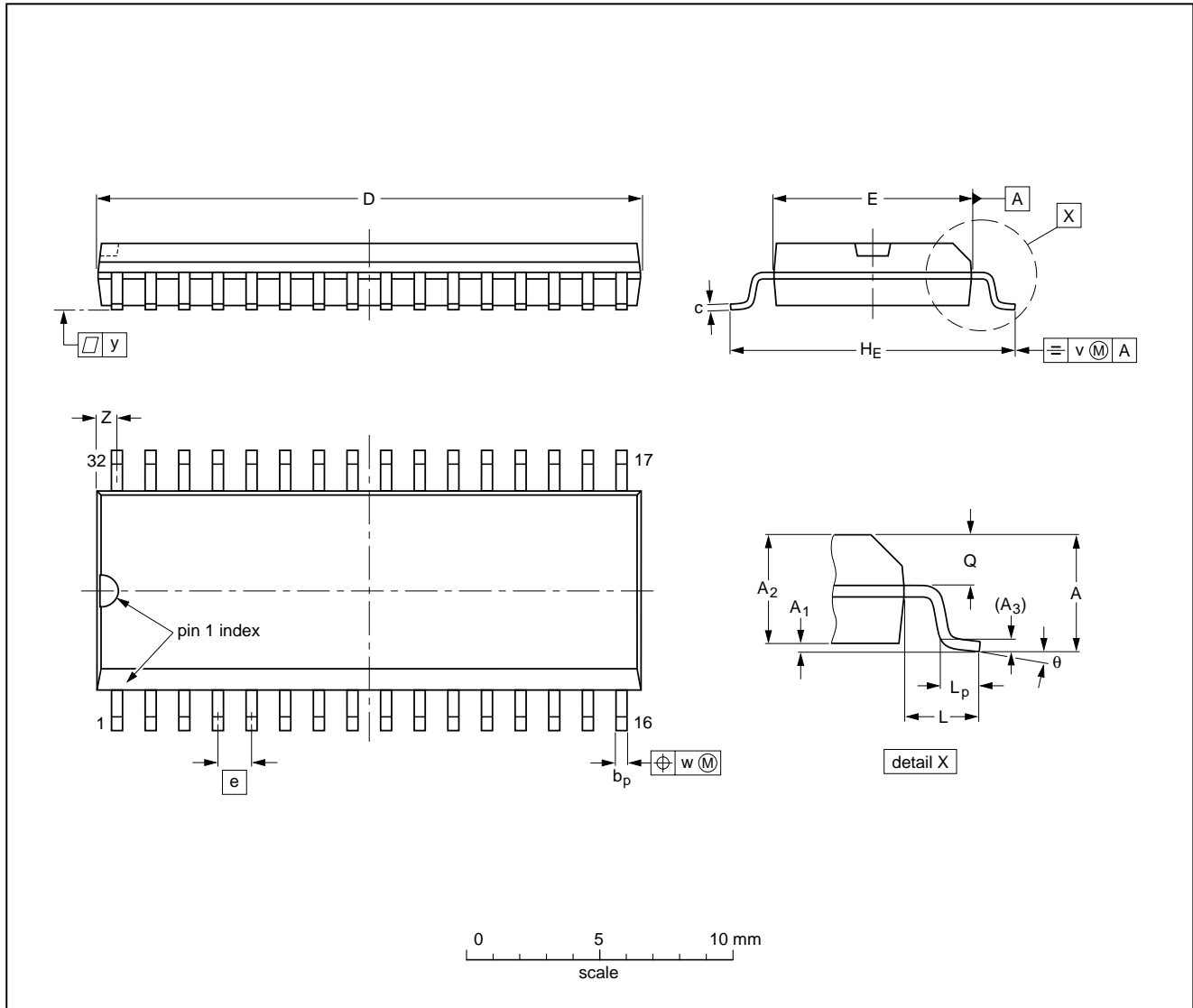
Sound fader control circuit

TEA6321

PACKAGE OUTLINE

SO32: plastic small outline package; 32 leads; body width 7.5 mm

SOT287-1



DIMENSIONS (inch dimensions are derived from the original mm dimensions)

| UNIT | A max. | A ₁ | A ₂ | A ₃ | b _p | c | D ⁽¹⁾ | E ⁽¹⁾ | e | H _E | L | L _p | Q | v | w | y | Z ⁽¹⁾ | θ |
|--------|--------|----------------|----------------|----------------|----------------|----------------|------------------|------------------|-------|----------------|-------|----------------|----------------|------|------|-------|------------------|----------|
| mm | 2.65 | 0.3 0.1 | 2.45 2.25 | 0.25 | 0.49 0.36 | 0.27 0.18 | 20.7 20.3 | 7.6 7.4 | 1.27 | 10.65 10.00 | 1.4 | 1.1 0.4 | 1.2 1.0 | 0.25 | 0.25 | 0.1 | 0.95 0.55 | 8° 0° |
| inches | 0.10 | 0.012 0.004 | 0.096 0.086 | 0.01 | 0.02 0.01 | 0.011 0.007 | 0.81 0.80 | 0.30 0.29 | 0.050 | 0.419 0.394 | 0.055 | 0.043 0.016 | 0.047 0.039 | 0.01 | 0.01 | 0.004 | 0.037 0.022 | |

Note

1. Plastic or metal protrusions of 0.15 mm maximum per side are not included.

| OUTLINE VERSION | REFERENCES | | | | EUROPEAN PROJECTION | ISSUE DATE |
|-----------------|------------|-------|------|--|---------------------|----------------------|
| | IEC | JEDEC | EIAJ | | | |
| SOT287-1 | | | | | | 95-01-25 97-05-22 |

Sound fader control circuit

TEA6321

SOLDERING

Introduction

There is no soldering method that is ideal for all IC packages. Wave soldering is often preferred when through-hole and surface mounted components are mixed on one printed-circuit board. However, wave soldering is not always suitable for surface mounted ICs, or for printed-circuits with high population densities. In these situations reflow soldering is often used.

This text gives a very brief insight to a complex technology. A more in-depth account of soldering ICs can be found in our *"IC Package Databook"* (order code 9398 652 90011).

Reflow soldering

Reflow soldering techniques are suitable for all SO packages.

Reflow soldering requires solder paste (a suspension of fine solder particles, flux and binding agent) to be applied to the printed-circuit board by screen printing, stencilling or pressure-syringe dispensing before package placement.

Several techniques exist for reflowing; for example, thermal conduction by heated belt. Dwell times vary between 50 and 300 seconds depending on heating method. Typical reflow temperatures range from 215 to 250 °C.

Preheating is necessary to dry the paste and evaporate the binding agent. Preheating duration: 45 minutes at 45 °C.

Wave soldering

Wave soldering techniques can be used for all SO packages if the following conditions are observed:

- A double-wave (a turbulent wave with high upward pressure followed by a smooth laminar wave) soldering technique should be used.
- The longitudinal axis of the package footprint must be parallel to the solder flow.
- The package footprint must incorporate solder thieves at the downstream end.

During placement and before soldering, the package must be fixed with a droplet of adhesive. The adhesive can be applied by screen printing, pin transfer or syringe dispensing. The package can be soldered after the adhesive is cured.

Maximum permissible solder temperature is 260 °C, and maximum duration of package immersion in solder is 10 seconds, if cooled to less than 150 °C within 6 seconds. Typical dwell time is 4 seconds at 250 °C.

A mildly-activated flux will eliminate the need for removal of corrosive residues in most applications.

Repairing soldered joints

Fix the component by first soldering two diagonally-opposite end leads. Use only a low voltage soldering iron (less than 24 V) applied to the flat part of the lead. Contact time must be limited to 10 seconds at up to 300 °C. When using a dedicated tool, all other leads can be soldered in one operation within 2 to 5 seconds between 270 and 320 °C.

Sound fader control circuit

TEA6321

DEFINITIONS

| | |
|---|---|
| Data sheet status | |
| Objective specification | This data sheet contains target or goal specifications for product development. |
| Preliminary specification | This data sheet contains preliminary data; supplementary data may be published later. |
| Product specification | This data sheet contains final product specifications. |
| Limiting values | |
| Limiting values given are in accordance with the Absolute Maximum Rating System (IEC 134). Stress above one or more of the limiting values may cause permanent damage to the device. These are stress ratings only and operation of the device at these or at any other conditions above those given in the Characteristics sections of the specification is not implied. Exposure to limiting values for extended periods may affect device reliability. | |
| Application information | |
| Where application information is given, it is advisory and does not form part of the specification. | |

LIFE SUPPORT APPLICATIONS

These products are not designed for use in life support appliances, devices, or systems where malfunction of these products can reasonably be expected to result in personal injury. Philips customers using or selling these products for use in such applications do so at their own risk and agree to fully indemnify Philips for any damages resulting from such improper use or sale.

PURCHASE OF PHILIPS I²C COMPONENTS

Purchase of Philips I²C components conveys a license under the Philips' I²C patent to use the components in the I²C system provided the system conforms to the I²C specification defined by Philips. This specification can be ordered using the code 9398 393 40011.

Sound fader control circuit

TEA6321

NOTES

Philips Semiconductors – a worldwide company

Argentina: IEROD, Av. Juramento 1992 - 14.b, (1428)
BUENOS AIRES, Tel. (541)786 7633, Fax. (541)786 9367

Australia: 34 Waterloo Road, NORTH RYDE, NSW 2113,
Tel. (02)805 4455, Fax. (02)805 4466

Austria: Triester Str. 64, A-1101 WIEN, P.O. Box 213,
Tel. (01)60 101-1236, Fax. (01)60 101-1211

Belgium: Postbus 90050, 5600 PB EINDHOVEN, The Netherlands,
Tel. (31)40-2783749, Fax. (31)40-2788399

Brazil: Rua do Rocio 220 - 5th floor, Suite 51,
CEP: 04552-903-SÃO PAULO-SP, Brazil,
P.O. Box 7383 (01064-970),
Tel. (011)821-2333, Fax. (011)829-1849

Canada: PHILIPS SEMICONDUCTORS/COMPONENTS:
Tel. (800) 234-7381, Fax. (708) 296-8556

Chile: Av. Santa Maria 0760, SANTIAGO,
Tel. (02)773 816, Fax. (02)777 6730

China/Hong Kong: 501 Hong Kong Industrial Technology Centre,
72 Tat Chee Avenue, Kowloon Tong, HONG KONG,
Tel. (852)2319 7888, Fax. (852)2319 7700

Colombia: IPRELENZO LTDA, Carrera 21 No. 56-17,
77621 BOGOTA, Tel. (571)249 7624/(571)217 4609,
Fax. (571)217 4549

Denmark: Prags Boulevard 80, PB 1919, DK-2300
COPENHAGEN S, Tel. (45)32 88 26 36, Fax. (45)31 57 19 49

Finland: Sinikalliontie 3, FIN-02630 ESPOO,
Tel. (358)0-615 800, Fax. (358)0-615800 920

France: 4 Rue du Port-aux-Vins, BP317,
92156 SURESNES Cedex,
Tel. (01)4099 6161, Fax. (01)4099 6427

Germany: P.O. Box 10 51 40, 20035 HAMBURG,
Tel. (040)23 53 60, Fax. (040)23 53 63 00

Greece: No. 15, 25th March Street, GR 17778 TAVROS,
Tel. (01)4894 339/4894 911, Fax. (01)4814 240

India: Philips INDIA Ltd, Shivsagar Estate, A Block,
Dr. Annie Besant Rd. Worli, Bombay 400 018
Tel. (022)4938 541, Fax. (022)4938 722

Indonesia: Philips House, Jalan H.R. Rasuna Said Kav. 3-4,
P.O. Box 4252, JAKARTA 12950,
Tel. (021)5201 122, Fax. (021)5205 189

Ireland: Newstead, Clonskeagh, DUBLIN 14,
Tel. (01)7640 000, Fax. (01)7640 200

Italy: PHILIPS SEMICONDUCTORS S.r.l.,
Piazza IV Novembre 3, 20124 MILANO,
Tel. (0039)2 6752 2531, Fax. (0039)2 6752 2557

Japan: Philips Bldg 13-37, Kohnan2-chome, Minato-ku, TOKYO 108,
Tel. (03)3740 5130, Fax. (03)3740 5077

Korea: Philips House, 260-199 Itaewon-dong,
Yongsan-ku, SEOUL, Tel. (02)709-1412, Fax. (02)709-1415

Malaysia: No. 76 Jalan Universiti, 46200 PETALING JAYA,
SELANGOR, Tel. (03)750 5214, Fax. (03)757 4880

Mexico: 5900 Gateway East, Suite 200, EL PASO, TX 79905,
Tel. 9-5(800)234-7381, Fax. (708)296-8556

Netherlands: Postbus 90050, 5600 PB EINDHOVEN, Bldg. VB,
Tel. (040)2783749, Fax. (040)2788399

New Zealand: 2 Wagener Place, C.P.O. Box 1041, AUCKLAND,
Tel. (09)849-4160, Fax. (09)849-7811

Norway: Box 1, Manglerud 0612, OSLO,
Tel. (022)74 8000, Fax. (022)74 8341

Pakistan: Philips Electrical Industries of Pakistan Ltd.,
Exchange Bldg. ST-2/A, Block 9, KDA Scheme 5, Clifton,
KARACHI 75600, Tel. (021)587 4641-49,
Fax. (021)577035/5874546

Philippines: PHILIPS SEMICONDUCTORS PHILIPPINES Inc.,
106 Valero St. Salcedo Village, P.O. Box 2108 MCC, MAKATI,
Metro MANILA, Tel. (63) 2 816 6380, Fax. (63) 2 817 3474

Portugal: PHILIPS PORTUGUESA, S.A.,
Rua dr. António Loureiro Borges 5, Arquiparque - Miraflores,
Apartado 300, 2795 LINDA-A-VELHA,
Tel. (01)4163160/4163333, Fax. (01)4163174/4163366

Singapore: Lorong 1, Toa Payoh, SINGAPORE 1231,
Tel. (65)350 2000, Fax. (65)251 6500

South Africa: S.A. PHILIPS Pty Ltd.,
195-215 Main Road Martindale, 2092 JOHANNESBURG,
P.O. Box 7430, Johannesburg 2000,
Tel. (011)470-5911, Fax. (011)470-5494

Spain: Balmes 22, 08007 BARCELONA,
Tel. (03)301 6312, Fax. (03)301 42 43

Sweden: Kottbygatan 7, Akalla. S-164 85 STOCKHOLM,
Tel. (0)8-632 2000, Fax. (0)8-632 2745

Switzerland: Allmendstrasse 140, CH-8027 ZÜRICH,
Tel. (01)488 2211, Fax. (01)481 77 30

Taiwan: PHILIPS TAIWAN Ltd., 23-30F, 66, Chung Hsiao West
Road, Sec. 1, Taipei, Taiwan ROC, P.O. Box 22978,
TAIPEI 100, Tel. (886) 2 382 4443, Fax. (886) 2 382 4444

Thailand: PHILIPS ELECTRONICS (THAILAND) Ltd.,
209/2 Sanpavuth-Bangna Road Prakanong,
Bangkok 10260, THAILAND,
Tel. (66) 2 745-4090, Fax. (66) 2 398-0793

Turkey: Talatpasa Cad. No. 5, 80640 GÜLTEPE/ISTANBUL,
Tel. (0212)279 27 70, Fax. (0212)282 67 07

Ukraine: PHILIPS UKRAINE, 2A Akademika Koroleva str., Office 165,
252148 KIEV, Tel. 380-44-4760297, Fax. 380-44-4766991

United Kingdom: Philips Semiconductors LTD.,
276 Bath Road, Hayes, MIDDLESEX UB3 5BX,
Tel. (0181)730-5000, Fax. (0181)754-8421

United States: 811 East Arques Avenue, SUNNYVALE,
CA 94088-3409, Tel. (800)234-7381, Fax. (708)296-8556

Uruguay: Coronel Mora 433, MONTEVIDEO,
Tel. (02)70-4044, Fax. (02)92 0601

Internet: <http://www.semiconductors.philips.com/ps/>

For all other countries apply to: Philips Semiconductors,
International Marketing and Sales, Building BE-p,
P.O. Box 218, 5600 MD EINDHOVEN, The Netherlands,
Telex 35000 phtcnl, Fax. +31-40-2724825

SCDS47

© Philips Electronics N.V. 1995

All rights are reserved. Reproduction in whole or in part is prohibited without the prior written consent of the copyright owner.

The information presented in this document does not form part of any quotation or contract, is believed to be accurate and reliable and may be changed without notice. No liability will be accepted by the publisher for any consequence of its use. Publication thereof does not convey nor imply any license under patent- or other industrial or intellectual property rights.

Printed in The Netherlands

513061/1100/02/pp36

Date of release: 1995 Dec 19

Document order number:

9397 750 00534