

**INTEGRATED CIRCUITS**

# DATA SHEET

## **TEA6323T** Sound fader control circuit

Preliminary specification  
File under Integrated Circuits, IC01

1995 Dec 20

## Sound fader control circuit

## TEA6323T

## FEATURES

- Source selector for three stereo and one differential stereo input for remote sources
- The differential stereo input works optional as a fourth stereo input and the common mode pin can be used as well as an additional mono input
- Interface for noise reduction circuits
- Interface for external equalizer
- Volume, balance and fader control
- Output at volume I for external booster
- Special loudness characteristic automatically controlled in combination with volume setting
- Bass control with equalizer filters
- Treble control
- Mute control at audio signal zero crossing
- Logic output to read mute status
- Fast mute control via I<sup>2</sup>C-bus
- Fast mute control via pin
- I<sup>2</sup>C-bus control for all functions
- Power supply with internal power-on reset
- Power down indication.



## GENERAL DESCRIPTION

The sound fader control circuit TEA6323T is an I<sup>2</sup>C-bus controlled stereo preamplifier for car radio hi-fi sound applications.

## QUICK REFERENCE DATA

SYMBOL	PARAMETER	CONDITIONS	MIN.	TYP.	MAX.	UNIT
V <sub>CC</sub>	supply voltage		7.5	8.5	9.5	V
I <sub>CC</sub>	supply current	V <sub>CC</sub> = 8.5 V	–	26	–	mA
V <sub>O(rms)</sub>	maximum output voltage level	V <sub>CC</sub> = 8.5 V; THD ≤ 0.1%	–	2000	–	mV
G <sub>V</sub>	voltage gain		–86	–	+20	dB
G <sub>step(vol)</sub>	step resolution (volume)		–	1	–	dB
G <sub>bass</sub>	bass control		–18	–	+18	dB
G <sub>treble</sub>	treble control		–12	–	+12	dB
G <sub>step(treble)</sub>	step resolution (treble)		–	1.5	–	dB
(S+N)/N	signal-plus-noise to noise ratio	V <sub>O</sub> = 2.0 V; G <sub>V</sub> = 0 dB; unweighted	–	105	–	dB
RR <sub>100</sub>	ripple rejection	V <sub>r(rms)</sub> < 200 mV; f = 100 Hz; G <sub>V</sub> = 0 dB	–	75	–	dB
CMRR	common mode rejection ratio differential stereo input		43	53	–	dB

## ORDERING INFORMATION

TYPE NUMBER	PACKAGE		
	NAME	DESCRIPTION	VERSION
TEA6323T	VSO40	plastic very small outline package; 40 leads	SOT158-1



## Sound fader control circuit

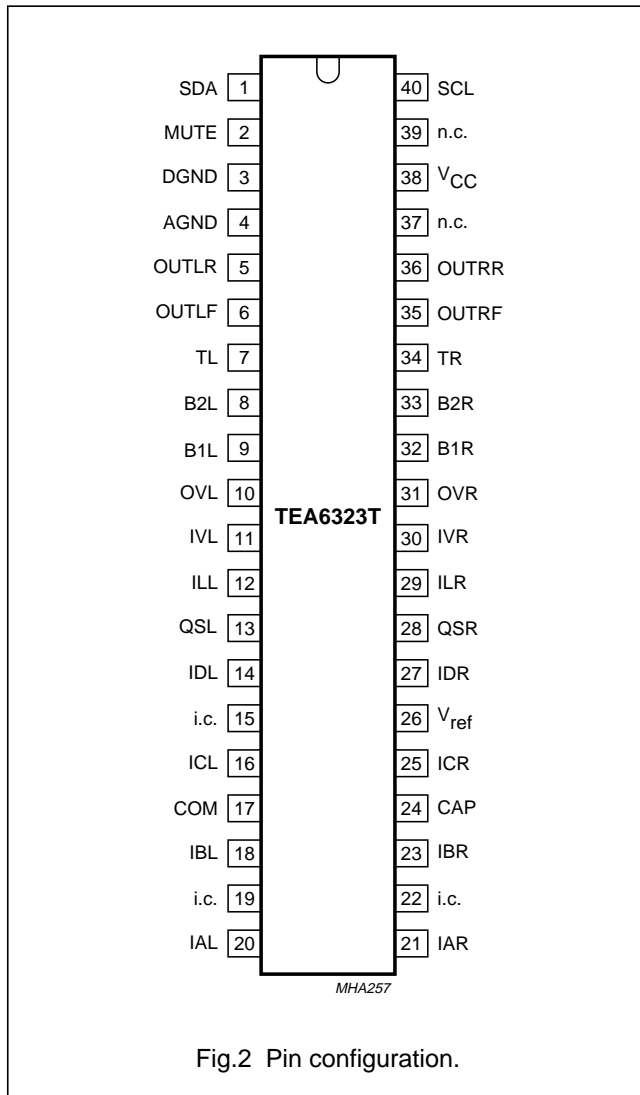
TEA6323T

## PINNING

SYMBOL	PIN	DESCRIPTION
SDA	1	serial data input/output
MUTE	2	mute control input and output
DGND	3	digital ground
AGND	4	analog ground
OUTLR	5	output left rear
OUTLF	6	output left front
TL	7	treble control capacitor left channel or input from an external equalizer
B2L	8	bass control left channel or output to an external equalizer
B1L	9	bass control, left channel
OVL	10	output volume I, left channel
IVL	11	input volume I, left control part
ILL	12	input loudness, left control part
QSL	13	output source selector, left channel
IDL	14	input D left source
i.c.	15	COMM, common mode rejection adjust, centre position
ICL	16	input C left source
COM	17	common mode input / mono source input
IBL	18	input B left source
i.c.	19	COML, common mode rejection adjust, left position
IAL	20	input A differential source left
IAR	21	input A differential source right
i.c.	22	COMR, common mode rejection adjust, right position
IBR	23	input B right source
CAP	24	electronic filtering for supply
ICR	25	input C right source
V <sub>ref</sub>	26	reference voltage (0.5V <sub>CC</sub> )
IDR	27	input D right source
QSR	28	output source selector right channel
ILR	29	input loudness right channel
IVR	30	input volume I, right control part
OVR	31	output volume I, right channel
B1R	32	bass control right channel
B2R	33	bass control right channel or output to an external equalizer
TR	34	treble control capacitor right channel or input from an external equalizer
OUTRF	35	output right front
OUTRR	36	output right rear
n.c.	37	not connected
V <sub>CC</sub>	38	supply voltage
n.c.	39	not connected
SCL	40	serial clock input

## Sound fader control circuit

## TEA6323T



## FUNCTIONAL DESCRIPTION

The source selector allows either the source selection between the differential stereo input (IAL, IAR and COM) and three stereo inputs, or selection of four stereo inputs and the mono input (COM). The maximum input signal voltage is  $V_{i(rms)} = 2\text{ V}$ . The outputs of the source selector and the inputs of the following volume control parts are available at pins 13 and 11 for the left channel and pins 28 and 30 for the right channel. This offers the possibility of interfacing a noise reduction system.

The volume control part is following the source selector. The signal phase from input volume control part to all outputs is  $180^\circ$ .

The volume control function is split into two sections: volume I control block and volume II control block.

The control range of volume I is between +20 dB and -31 dB in steps of 1 dB. The volume II control range is between 0 dB and -55 dB in steps of 1 dB. Although the theoretical possible control range is 106 dB (+20 to -86 dB), in practice a range of 86 dB (+20 to -66 dB) is recommended. The gain/attenuation setting of the volume I control block is common for both channels.

The volume I control block operates in combination with the loudness control. The filter is linear when the maximum gain for the volume I control (+20 dB) is selected. The filter characteristic increases automatically over a range of 32 dB down to a setting of -12 dB. That means the maximum filter characteristic is obtained at -12 dB setting of volume I. Further reduction of the volume does not further influence the filter characteristic (see Fig.5). The maximum selected filter characteristic is determined by external components. The proposed application gives a maximum boost of 17 dB for bass and 4.5 dB for treble. The loudness may be switched on or off via I<sup>2</sup>C-bus control (see Table 7).

The volume I control block has an output pin and is followed by the bass control block. An external filter for each channel in combination with internal resistors, provides the frequency response of the bass control (see Fig.3). The adjustable range is between -18 and +18 dB in steps of 1.8 dB at 46 Hz.

Both, loudness and bass control result in a maximum bass boost of 35 dB for low volume settings.

The treble control block offers a control range between -12 and +12 dB in steps of 1.5 dB at 15 kHz. The filter characteristic is determined by a single capacitor of 5.6 nF for each channel in combination with internal resistors (see Fig.4).

The basic step width of treble control is 3 dB. The intermediate steps are obtained by switching 1.5 dB boost and 1.5 dB attenuation steps.

The bass and treble control functions can be switched off via I<sup>2</sup>C-bus. In this event the internal signal flow is disconnected. The connections B2L and B2R are outputs and TL and TR are inputs for inserting an external equalizer.

## Sound fader control circuit

## TEA6323T

The last section of the circuit is the volume II block. The balance and fader functions are performed using the same control blocks. This is realized by 4 independently controllable attenuators, one for each output. The control range of these attenuators is 55 dB in steps of 1 dB with an additional mute step.

The circuit provides 3 mute modes:

1. Zero crossing mode mute via I<sup>2</sup>C-bus using 2 independent zero crossing detectors (ZCM, see Tables 2 and 9).
2. Fast mute via MUTE pin.
3. Fast mute via I<sup>2</sup>C-bus either by general mute (GMU, see Tables 2 and 9) or volume II block setting (see Table 4).

The mute function is performed immediately if ZCM is cleared (ZCM = 0). If the bit is set (ZCM = 1) the mute is activated after changing the GMU bit. The actual mute switching is delayed until the next zero crossing of the audio frequency signal. As the two audio channels (left and right) are independent, two comparators are built-in to control independent mute switches.

To avoid a large delay of mute switching when very low frequencies are processed or the output signal amplitude is lower than the DC offset voltage a second I<sup>2</sup>C-bus transmission is needed. Both transmissions have the same data and the second transmission a delay time of e.g. 100 ms. The first transmission starts the zero cross circuit, but second transmission moves the mute switch immediately if the circuit has no zero cross detected.

The mute function can also be controlled externally. If the mute pin is switched to ground all outputs are muted immediately (except the outputs volume left and right (OVL and OVR) and hardware mute). This mute request overwrites all mute controls via the I<sup>2</sup>C-bus for the time the pin is held LOW. The hardware mute position is not stored in the TEA6323T.

The mute pin can also be used as output. The mute pin voltage is low when all outputs are in mute position.

For the turn on/off behaviour the following explanation is generally valid. To avoid AF output caused by the input signal coming from preceding stages, which produces output during drop of V<sub>CC</sub>, the mute has to be set, before the V<sub>CC</sub> will drop. This can be achieved by I<sup>2</sup>C-bus control or by grounding the MUTE pin.

For use where is no mute in the application before turn off, a supply voltage drop of more than  $1 \times V_{BE}$  will result in a mute during the voltage drop.

The power supply should include a V<sub>CC</sub> buffer capacitor, which provides a discharging time constant. If the input signal does not disappear after turn off the input will become audible after certain time. A 4.7 kΩ resistor discharges the V<sub>CC</sub> buffer capacitor, because the internal current of the IC does not discharge it completely.

The hardware mute function is favourable for use in Radio Data System (RDS) applications. The zero crossing mute avoids modulation plops. This feature is an advantage for mute during changing presets and/or sources (e.g. traffic announcement during cassette playback).

### LIMITING VALUES

In accordance with the Absolute Maximum Rating System (IEC 134).

SYMBOL	PARAMETER	CONDITIONS	MIN.	MAX.	UNIT
V <sub>CC</sub>	supply voltage		0	10	V
V <sub>n</sub>	voltage at pins 1, 2 and 5 to 40 to pins 3 and 4		0	V <sub>CC</sub>	V
T <sub>amb</sub>	operating ambient temperature		-40	+85	°C
T <sub>stg</sub>	storage temperature		-65	+150	°C
V <sub>es</sub>	electrostatic handling	note 1			

### Note

1. Human body model: C = 100 pF; R = 1.5 kΩ; V ≥ 2 kV. Charge device model: C = 200 pF; R = 0 Ω; V ≥ 500 V.

## Sound fader control circuit

## TEA6323T

**CHARACTERISTICS**

$V_{CC} = 8.5$  V;  $R_S = 600$   $\Omega$ ;  $R_L = 10$  k $\Omega$ ;  $C_L = 2.5$  nF; AC coupled;  $f = 1$  kHz;  $T_{amb} = 25$  °C; gain control  $G_v = 0$  dB; bass linear; treble linear; fader off; balance in mid position; loudness off; unless otherwise specified.

SYMBOL	PARAMETER	CONDITIONS	MIN.	TYP.	MAX.	UNIT
$V_{CC}$	supply voltage		7.5	8.5	9.5	V
$I_{CC}$	supply current		–	26	33	mA
$V_{DC}$	internal DC voltage at inputs and outputs		3.83	4.25	4.68	V
$V_{ref}$	internal reference voltage at pin 26		–	4.25	–	V
$G_{v(max)}$	maximum voltage gain	$R_S = 0$ $\Omega$ ; $R_L = \infty$	19	20	21	dB
$V_{o(rms)}$	output voltage level for $P_{max}$ at the power output stage start of clipping	THD $\leq 0.5\%$ ; see Fig.10	–	2000	–	mV
		THD = 1%; $G_v = 3$ dB	2300	–	–	mV
		$R_L = 2$ k $\Omega$ ; $C_L = 10$ nF; THD = 1%	2000	–	–	mV
$V_{i(rms)}$	input sensitivity	$V_o = 2000$ mV; $G_v = 20$ dB	–	200	–	mV
$f_{ro}$	roll-off frequency	$C_{KIN} = 220$ nF; $C_{KVL} = 220$ nF; $Z_i = Z_{i(min)}$ low frequency (–1 dB)	60	–	–	Hz
		low frequency (–3 dB)	30	–	–	Hz
		high frequency (–1 dB)	20000	–	–	Hz
		$C_{KIN} = 470$ nF; $C_{KVL} = 100$ nF; $Z_i = Z_{i(typ)}$ low frequency (–3 dB)	17	–	–	Hz
$\alpha_{cs}$	channel separation	$V_i = 2$ V; frequency range 250 Hz to 10 kHz	74	80	–	dB
THD	total harmonic distortion	frequency range 20 Hz to 12.5 kHz $V_i = 100$ mV; $G_v = 20$ dB	–	0.1	–	%
		$V_i = 1$ V; $G_v = 0$ dB	–	0.05	0.1	%
		$V_i = 2$ V; $G_v = 0$ dB	–	0.1	–	%
		$V_i = 2$ V; $G_v = -10$ dB	–	0.1	–	%
RR	ripple rejection	$V_{r(rms)} < 200$ mV				
		$f = 100$ Hz	70	76	–	dB
		$f = 40$ Hz to 12.5 kHz	–	66	–	dB

## Sound fader control circuit

## TEA6323T

SYMBOL	PARAMETER	CONDITIONS	MIN.	TYP.	MAX.	UNIT
(S+N)/N	signal-plus-noise to noise ratio	unweighted; 20 Hz to 20 kHz (RMS); $V_o = 2.0$ V; see Figs 6 and 7	–	105	–	dB
		CCIR468-2 weighted; quasi peak; $V_o = 2.0$ V				
		$G_v = 0$ dB	–	95	–	dB
		$G_v = 12$ dB	–	88	–	dB
		$G_v = 20$ dB	–	81	–	dB
		differential input				
		$G_v = 0$ dB	–	90	–	dB
		$G_v = 20$ dB	–	79	–	dB
CMRR	common mode rejection ratio differential stereo input		43	53	–	dB
$P_{no(rms)}$	noise output power (RMS value) only contribution of TEA6323T; power amplifier for 6 W	mute position; note 1	–	–	10	nW
$\alpha_{ct}$	crosstalk $\left( 20 \log \frac{V_{bus(p-p)}}{V_{o(rms)}} \right)$ between bus inputs and signal outputs	note 2	–	110	–	dB
<b>Source selector</b>						
$Z_i$	input impedance		25	35	45	k $\Omega$
$\alpha_S$	input isolation of one selected source to any other input	$f = 1$ kHz	–	105	–	dB
		$f = 12.5$ kHz	–	95	–	dB
$V_{i(rms)}$	maximum input voltage (RMS value)	THD < 0.5%; $V_{CC} = 8.5$ V	–	2.15	–	V
		THD < 0.5%; $V_{CC} = 7.5$ V	–	1.8	–	V
$V_{offset}$	DC offset voltage at source selector output by selection of any stereo inputs by selection of differential input or mono input		–	–	10	mV
			–	–	20	mV
$Z_o$	output impedance		–	80	120	$\Omega$
$R_L$	output load resistance		10	–	–	k $\Omega$
$C_L$	output load capacity		0	–	2500	pF
$G_v$	voltage gain, source selector		–	0	–	dB
<b>Control part (source selector disconnected; source resistance 600 <math>\Omega</math>)</b>						
$Z_i$	input impedance volume input		100	150	200	k $\Omega$
	input impedance loudness input		25	33	40	k $\Omega$
$Z_o$	output impedance		–	80	120	$\Omega$
$R_L$	output load resistance		2	–	–	k $\Omega$
$C_L$	output load capacity		0	–	10	nF



## Sound fader control circuit

## TEA6323T

SYMBOL	PARAMETER	CONDITIONS	MIN.	TYP.	MAX.	UNIT
$V_{i(rms)}$	maximum input voltage (RMS value)	THD < 0.5%	–	2.15	–	V
$V_{no}$	noise output voltage	CCIR468-2 weighted; quasi peak $G_v = 20$ dB $G_v = 0$ dB $G_v = -66$ dB mute position	– – – –	110 33 13 10	220 50 22 –	$\mu$ V $\mu$ V $\mu$ V $\mu$ V
$CR_{tot}$	total continuous control range		–	106	–	dB
	recommended control range		–	86	–	dB
$G_{step}$	step resolution		–	1	–	dB
	step error between any adjoining step		–	–	0.5	dB
$\Delta G_a$	attenuator set error	$G_v = +20$ to $-50$ dB	–	–	2	dB
		$G_v = -51$ to $-66$ dB	–	–	3	dB
$\Delta G_t$	gain tracking error	$G_v = +20$ to $-50$ dB	–	–	2	dB
$MUTE_{att}$	mute attenuation	see Fig.9	100	110	–	dB
$V_{offset}$	DC step offset between any adjoining step	$G_v = 0$ to $-66$ dB	–	0.2	10	mV
		$G_v = 20$ to $0$ dB	–	2	15	mV
	DC step offset between any step to mute	$G_v = 0$ to $-66$ dB	–	–	10	mV
		$G_v = 20$ to $0$ dB	–	–	40	mV
		$G_v = 0$ to $-31$ dB; loudness on	–	–	17	mV
<b>Volume I control and loudness</b>						
$CR_{vol}$	continuous volume control range		–	51	–	dB
$G_v$	voltage gain		-31	–	+20	dB
$G_{step}$	step resolution		–	1	–	dB
$L_{Bmax}$	maximum loudness boost	loudness on; referred to loudness off; boost is determined by external components				
		$f = 40$ Hz	–	17	–	dB
		$f = 10$ kHz	–	4.5	–	dB
<b>Bass control</b>						
$G_{bass}$	bass control, maximum boost	$f = 46$ Hz	16	18	19	dB
	maximum attenuation	$f = 46$ Hz	16	18	19	dB
$G_{step}$	step resolution (toggle switching)	$f = 46$ Hz	–	1.8	–	dB
	step error between any adjoining step	$f = 46$ Hz	–	–	0.5	dB
$V_{offset}$	DC step offset in any bass position		–	–	20	mV

## Sound fader control circuit

## TEA6323T

SYMBOL	PARAMETER	CONDITIONS	MIN.	TYP.	MAX.	UNIT
<b>Treble control</b>						
G <sub>treble</sub>	treble control, maximum boost	f = 15 kHz	11	12	13	dB
	maximum attenuation	f = 15 kHz	11	12	13	dB
	maximum boost	f > 15 kHz	–	–	15	dB
G <sub>step</sub>	step resolution (toggle switching)	f = 15 kHz	–	1.5	–	dB
	step error between any adjoining step	f = 15 kHz	–	–	0.5	dB
V <sub>offset</sub>	DC step offset in any treble position		–	–	10	mV
<b>Volume II, balance and fader control</b>						
CR	continuous attenuation fader and volume control range		53.5	55	56.5	dB
G <sub>step</sub>	step resolution		–	1	2	dB
	attenuation set error		–	–	1.5	dB
<b>Mute function</b>						
V <sub>muteLOWI</sub>	input level for fast mute detection		–	–	1.0	V
	input level for no mute detection		2.2	–	–	V
V <sub>muteLOWO</sub>	output level for mute	I ≤ 1 mA; C <sub>I</sub> ≤ 100 pF	–	–	0.4	V
V <sub>muteHIGH</sub>	pull-up voltage	open collector	–	–	V <sub>CC</sub>	V
V <sub>CCdrop</sub>	supply drop to V <sub>CAP</sub> for mute active		–	–0.7	–	V
<b>Power-on reset (when reset is active the GMU-bit (general mute) is set and the I<sup>2</sup>C-bus receiver is in reset position)</b>						
V <sub>CC</sub>	increasing supply voltage start of reset		–	–	2.5	V
	end of reset		5.2	6.5	7.2	V
	decreasing supply voltage start of reset		4.2	5.5	6.2	V
<b>Digital part (I<sup>2</sup>C-bus pins); note 3</b>						
V <sub>iH</sub>	HIGH level input voltage		3	–	9.5	V
V <sub>iL</sub>	LOW level input voltage		–0.3	–	+1.5	V
I <sub>iH</sub>	HIGH level input current	V <sub>CC</sub> = 0 to 9.5 V	–10	–	+10	μA
I <sub>iL</sub>	LOW level input current		–10	–	+10	μA
V <sub>oL</sub>	LOW level output voltage	I <sub>L</sub> = 3 mA	–	–	0.4	V

**Notes to the characteristics**

- The indicated values for output power assume a 6 W power amplifier at 4 Ω with 20 dB gain and a fixed attenuator of 12 dB in front of it. Signal-to-noise ratios exclude noise contribution of the power amplifier.
- The transmission contains: total initialization with MAD and subaddress for volume and 8 data words, see also definition of characteristics, clock frequency = 50 kHz, repetition burst rate = 400 Hz, maximum bus signal amplitude = 5 V (p-p).
- The AC characteristics are in accordance with the I<sup>2</sup>C-bus specification. This specification, "The I<sup>2</sup>C-bus and how to use it", can be ordered using the code 9398 393 40011.

## Sound fader control circuit

## TEA6323T

**I<sup>2</sup>C-BUS PROTOCOL****I<sup>2</sup>C-bus format**

S <sup>(1)</sup>	SLAVE ADDRESS <sup>(2)</sup>	A <sup>(3)</sup>	SUBADDRESS <sup>(4)</sup>	A <sup>(3)</sup>	DATA <sup>(5)</sup>	A <sup>(3)</sup>	P <sup>(6)</sup>
------------------	------------------------------	------------------	---------------------------	------------------	---------------------	------------------	------------------

**Notes**

1. S = START condition.
2. SLAVE ADDRESS (MAD) = 1000 0000.
3. A = acknowledge, generated by the slave.
4. SUBADDRESS (SAD), see Table 1.
5. DATA, see Table 1; if more than 1 byte of DATA is transmitted, then auto-increment of the significant subaddress is performed.
6. P = STOP condition.

**Table 1** Second byte after MAD

FUNCTION	BIT	MSB							LSB	
		7	6	5	4	3	2 <sup>(1)</sup>	1 <sup>(1)</sup>	0 <sup>(1)</sup>	
Volume/loudness	V	0	0	0	0	0	0	0	0	0
Fader front right	FFR	0	0	0	0	0	0	0	0	1
Fader front left	FFL	0	0	0	0	0	0	0	1	0
Fader rear right	FRR	0	0	0	0	0	0	0	1	1
Fader rear left	FRL	0	0	0	0	0	1	0	0	0
Bass	BA	0	0	0	0	0	1	0	0	1
Treble	TR	0	0	0	0	0	1	1	0	0
Switch	S	0	0	0	0	0	1	1	1	1

**Note**

1. Significant subaddress.

## Sound fader control circuit

## TEA6323T

**Table 2** Definition of third byte after MAD and SAD

FUNCTION	BIT	MSB								LSB	
		7	6	5	4	3	2	1	0		
Volume/loudness	V	ZCM <sup>(1)</sup>	LOFF <sup>(2)</sup>	V5 <sup>(3)</sup>	V4 <sup>(3)</sup>	V3 <sup>(3)</sup>	V2 <sup>(3)</sup>	V1 <sup>(3)</sup>	V0 <sup>(3)</sup>		
Fader front right	FFR	0	0	FFR5 <sup>(5)</sup>	FFR4 <sup>(5)</sup>	FFR3 <sup>(5)</sup>	FFR2 <sup>(5)</sup>	FFR1 <sup>(5)</sup>	FFR0 <sup>(5)</sup>		
Fader front left	FFL	0	0	FFL5 <sup>(6)</sup>	FFL4 <sup>(6)</sup>	FFL3 <sup>(6)</sup>	FFL2 <sup>(6)</sup>	FFL1 <sup>(6)</sup>	FFL0 <sup>(6)</sup>		
Fader rear right	FRR	0	0	FRR5 <sup>(7)</sup>	FRR4 <sup>(7)</sup>	FRR3 <sup>(7)</sup>	FRR2 <sup>(7)</sup>	FRR1 <sup>(7)</sup>	FRR0 <sup>(7)</sup>		
Fader rear left	FRL	0	0	FRL5 <sup>(8)</sup>	FRL4 <sup>(8)</sup>	FRL3 <sup>(8)</sup>	FRL2 <sup>(8)</sup>	FRL1 <sup>(8)</sup>	FRL0 <sup>(8)</sup>		
Bass	BA	0	0	0	BA4 <sup>(9)</sup>	BA3 <sup>(9)</sup>	BA2 <sup>(9)</sup>	BA1 <sup>(9)</sup>	BA0 <sup>(9)</sup>		
Treble	TR	0	0	0	TR4 <sup>(10)</sup>	TR3 <sup>(10)</sup>	TR2 <sup>(10)</sup>	TR1 <sup>(10)</sup>	TR0 <sup>(10)</sup>		
Switch	S	GMU <sup>(11)</sup>	0	0	0	0	SC2 <sup>(12)</sup>	SC1 <sup>(12)</sup>	SC0 <sup>(12)</sup>		

**Notes**

1. Zero crossing mode.
2. Switch loudness on/off.
3. Volume control.
4. Don't care bits (logic 1 during testing).
5. Fader control front right.
6. Fader control front left.
7. Fader control rear right.
8. Fader control rear left.
9. Bass control.
10. Treble control.
11. Mute control for all outputs except OVL and OVR (general mute).
12. Source selector control.

## Sound fader control circuit

## TEA6323T

**Table 3** Volume I setting

G <sub>v</sub> (dB)	DATA					
	V5	V4	V3	V2	V1	V0
<b>Loudness on: the increment of the loudness characteristics is linear at every volume step in the range from +20 to -11 dB</b>						
+20	1	1	1	1	1	1
+19	1	1	1	1	1	0
+18	1	1	1	1	0	1
+17	1	1	1	1	0	0
+16	1	1	1	0	1	1
+15	1	1	1	0	1	0
+14	1	1	1	0	0	1
+13	1	1	1	0	0	0
+12	1	1	0	1	1	1
+11	1	1	0	1	1	0
+10	1	1	0	1	0	1
+9	1	1	0	1	0	0
+8	1	1	0	0	1	1
+7	1	1	0	0	1	0
+6	1	1	0	0	0	1
+5	1	1	0	0	0	0
+4	1	0	1	1	1	1
+3	1	0	1	1	1	0
+2	1	0	1	1	0	1
+1	1	0	1	1	0	0
0	1	0	1	0	1	1
-1	1	0	1	0	1	0
-2	1	0	1	0	0	1
-3	1	0	1	0	0	0
-4	1	0	0	1	1	1
-5	1	0	0	1	1	0
-6	1	0	0	1	0	1
-7	1	0	0	1	0	0
-8	1	0	0	0	1	1
-9	1	0	0	0	1	0
-10	1	0	0	0	0	1
-11	1	0	0	0	0	0

## Sound fader control circuit

## TEA6323T

G <sub>v</sub> (dB)	DATA					
	V5	V4	V3	V2	V1	V0
<b>Loudness characteristic is constant in a range from -11 dB to -31 dB</b>						
-12	0	1	1	1	1	1
-13	0	1	1	1	1	0
-14	0	1	1	1	0	1
-15	0	1	1	1	0	0
-16	0	1	1	0	1	1
-17	0	1	1	0	1	0
-18	0	1	1	0	0	1
-19	0	1	1	0	0	0
-20	0	1	0	1	1	1
-21	0	1	0	1	1	0
-22	0	1	0	1	0	1
-23	0	1	0	1	0	0
-24	0	1	0	0	1	1
-25	0	1	0	0	1	0
-26	0	1	0	0	0	1
-27	0	1	0	0	0	0
-28	0	0	1	1	1	1
-29	0	0	1	1	1	0
-30	0	0	1	1	0	1
-31	0	0	1	1	0	0
<b>Repetition of steps in a range from -28 dB to -31 dB</b>						
-28	0	0	1	0	1	1
-29	0	0	1	0	1	0
-30	0	0	1	0	0	1
-31	0	0	1	0	0	0
-28	0	0	0	1	1	1
-29	0	0	0	1	1	0
-30	0	0	0	1	0	1
-31	0	0	0	1	0	0
-28	0	0	0	0	1	1
-29	0	0	0	0	1	0
-30	0	0	0	0	0	1
-31	0	0	0	0	0	0

## Sound fader control circuit

## TEA6323T

**Table 4** Volume II setting (fader and balance)

$G_v$ (dB)	DATA					
	FRR5	FRR4	FRR3	FRR2	FRR1	FRR0
	FRL5	FRL4	FRL3	FRL2	FRL1	FRL0
	FFL5	FFL4	FFL3	FFL2	FFL1	FFL0
	FFR5	FFR4	FFR3	FFR2	FFR1	FFR0
0	1	1	1	1	1	1
-1	1	1	1	1	1	0
-2	1	1	1	1	0	1
-3	1	1	1	1	0	0
-4	1	1	1	0	1	1
-5	1	1	1	0	1	0
-6	1	1	1	0	0	1
-7	1	1	1	0	0	0
-8	1	1	0	1	1	1
-9	1	1	0	1	1	0
-10	1	1	0	1	0	1
-11	1	1	0	1	0	0
-12	1	1	0	0	1	1
-13	1	1	0	0	1	0
-14	1	1	0	0	0	1
-15	1	1	0	0	0	0
-16	1	0	1	1	1	1
-17	1	0	1	1	1	0
-18	1	0	1	1	0	1
-19	1	0	1	1	0	0
-20	1	0	1	0	1	1
-21	1	0	1	0	1	0
-22	1	0	1	0	0	1
-23	1	0	1	0	0	0
-24	1	0	0	1	1	1
-25	1	0	0	1	1	0
-26	1	0	0	1	0	1
-27	1	0	0	1	0	0
-28	1	0	0	0	1	1
-29	1	0	0	0	1	0
-30	1	0	0	0	0	1
-31	1	0	0	0	0	0
-32	0	1	1	1	1	1
-33	0	1	1	1	1	0
-34	0	1	1	1	0	1

## Sound fader control circuit

## TEA6323T

$G_v$ (dB)	DATA					
	FRR5	FRR4	FRR3	FRR2	FRR1	FRR0
	FRL5	FRL4	FRL3	FRL2	FRL1	FRL0
	FFL5	FFL4	FFL3	FFL2	FFL1	FFL0
	FFR5	FFR4	FFR3	FFR2	FFR1	FFR0
-35	0	1	1	1	0	0
-36	0	1	1	0	1	1
-37	0	1	1	0	1	0
-38	0	1	1	0	0	1
-39	0	1	1	0	0	0
-40	0	1	0	1	1	1
-41	0	1	0	1	1	0
-42	0	1	0	1	0	1
-43	0	1	0	1	0	0
-44	0	1	0	0	1	1
-45	0	1	0	0	1	0
-46	0	1	0	0	0	1
-47	0	1	0	0	0	0
-48	0	0	1	1	1	1
-49	0	0	1	1	1	0
-50	0	0	1	1	0	1
-51	0	0	1	1	0	0
-52	0	0	1	0	1	1
-53	0	0	1	0	1	0
-54	0	0	1	0	0	1
-55	0	0	1	0	0	0
mute	0	0	0	1	1	1
mute	0	0	0	1	1	0
mute	0	0	0	1	0	1
mute	0	0	0	1	0	0
mute	0	0	0	0	1	1
mute	0	0	0	0	1	0
mute	0	0	0	0	0	1
mute	0	0	0	0	0	0



## Sound fader control circuit

## TEA6323T

Table 5 Bass setting

$G_{\text{bass}}$ (dB)	DATA				
	BA4	BA3	BA2	BA1	BA0
+18.0	1	1	1	1	1
+16.2	1	1	1	1	0
+18.0	1	1	1	0	1
+16.2	1	1	1	0	0
+18.0	1	1	0	1	1
+16.2	1	1	0	1	0
+14.4	1	1	0	0	1
+12.6	1	1	0	0	0
+10.8	1	0	1	1	1
+9.0	1	0	1	1	0
+7.2	1	0	1	0	1
+5.4	1	0	1	0	0
+3.6	1	0	0	1	1
+1.8	1	0	0	1	0
0 <sup>(1)</sup>	1	0	0	0	1
0 <sup>(2)</sup>	1	0	0	0	0
-1.8	0	1	1	1	1
-3.6	0	1	1	1	0
-5.4	0	1	1	0	1
-7.2	0	1	1	0	0
-9.0	0	1	0	1	1
-10.8	0	1	0	1	0
-12.6	0	1	0	0	1
-14.4	0	1	0	0	0
-16.2	0	0	1	1	1
-18.0	0	0	1	1	0
-16.2	0	0	1	0	1
-18.0	0	0	1	0	0
note 3	0	0	0	1	1
note 3	0	0	0	1	0
note 3	0	0	0	0	1
notes 3 and 4	0	0	0	0	0

## Notes

1. Recommended data word for step 0 dB.
2. Result of 1.8 dB boost and 1.8 dB attenuation.
3. The last four bass control data words mute the bass response.
4. The last bass control and treble control data words (00000) enable the external equalizer connection.

## Sound fader control circuit

## TEA6323T

**Table 6** Treble setting

$G_{\text{treble}}$ (dB)	DATA				
	TR4	TR3	TR2	TR1	TR0
+12.0	1	1	1	1	1
+10.5	1	1	1	1	0
+12.0	1	1	1	0	1
+10.5	1	1	1	0	0
+12.0	1	1	0	1	1
+10.5	1	1	0	1	0
+12.0	1	1	0	0	1
+10.5	1	1	0	0	0
+9.0	1	0	1	1	1
+7.5	1	0	1	1	0
+6.0	1	0	1	0	1
+4.5	1	0	1	0	0
+3.0	1	0	0	1	1
+1.5	1	0	0	1	0
0 <sup>(1)</sup>	1	0	0	0	1
0 <sup>(2)</sup>	1	0	0	0	0
-1.5	0	1	1	1	1
-3.0	0	1	1	1	0
-4.5	0	1	1	0	1
-6.0	0	1	1	0	0
-7.5	0	1	0	1	1
-9.0	0	1	0	1	0
-10.5	0	1	0	0	1
-12.0	0	1	0	0	0
note 3	0	0	1	1	1
note 3	0	0	1	1	0
note 3	0	0	1	0	1
note 3	0	0	1	0	0
note 3	0	0	0	1	1
note 3	0	0	0	1	0
note 3	0	0	0	0	1
notes 3 and 4	0	0	0	0	0

**Notes**

1. Recommended data word for step 0 dB.
2. Result of 1.5 dB boost and 1.5 dB attenuation.
3. The last eight treble control data words select treble output.
4. The last treble control and bass control data words (00000) enable the external equalizer connection.

## Sound fader control circuit

## TEA6323T

**Table 7** Loudness setting

CHARACTERISTIC	DATA LOFF
With loudness	0
Linear	1

**Table 8** Selected input

FUNCTION	DATA		
	SC2	SC1	SC0
Stereo inputs IAL and IAR	1	1	1
Stereo inputs IBL and IBR	1	1	0
Stereo inputs ICL and ICR	1	0	1
Stereo inputs IDL and IDR	1	0	0
(Stereo inputs) IAL and IAR	0	1	1
Differential inputs IAL, IAR and COM	0	1	0
No input (input mute)	0	0	1
Mono input COM	0	0	0

**Table 9** Mute mode

FUNCTION	DATA	
	GMU	ZCM
Direct mute off	0	0
Mute off delayed until the next zero crossing	0	1
Direct mute	1	0
Mute delayed until the next zero crossing	1	1

Sound fader control circuit

TEA6323T

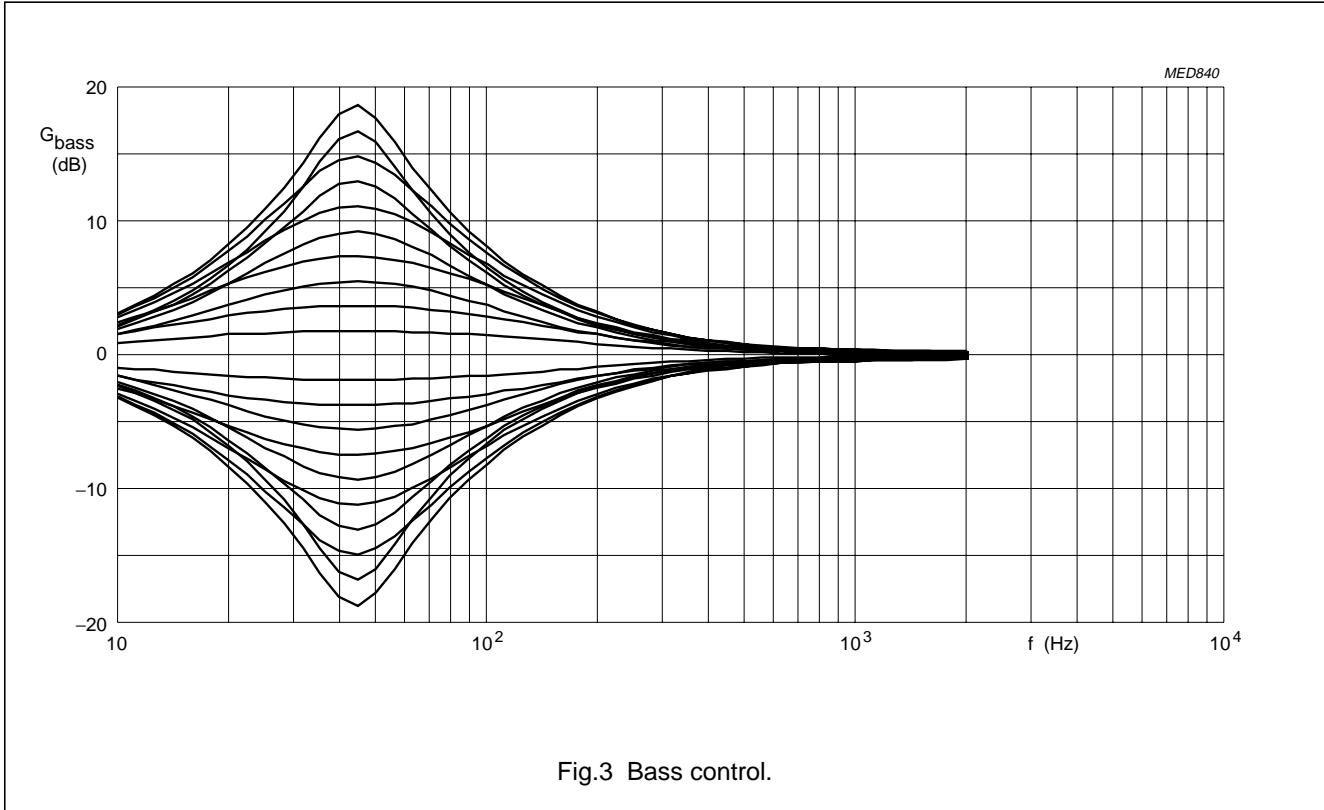


Fig.3 Bass control.

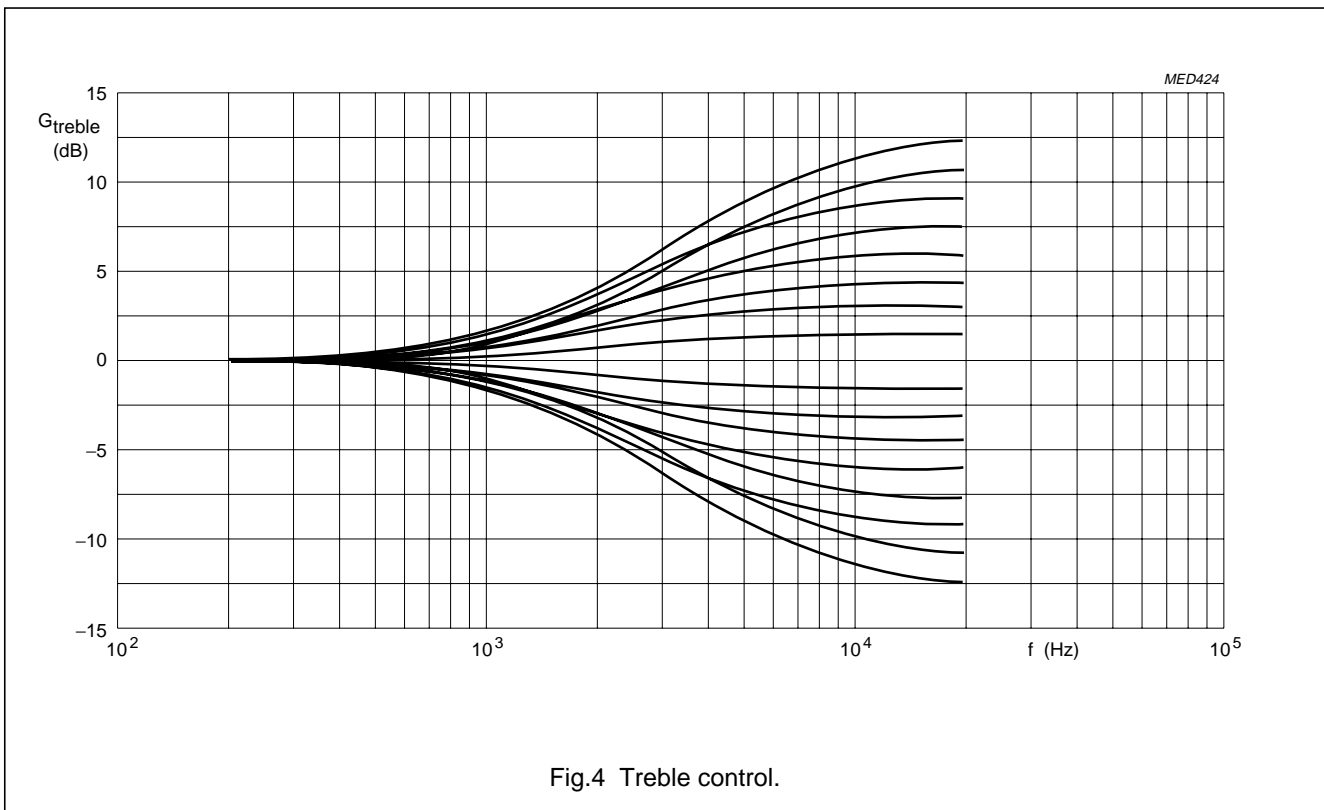
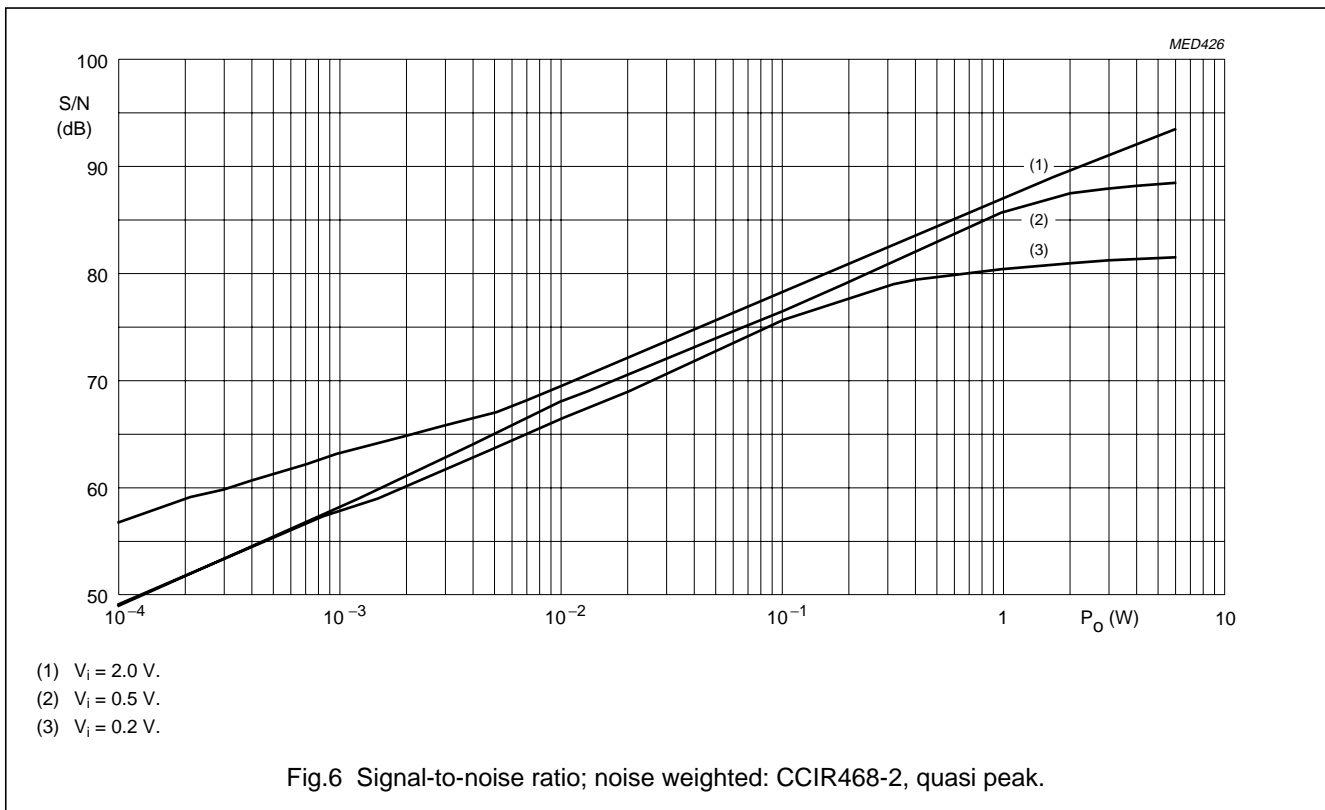
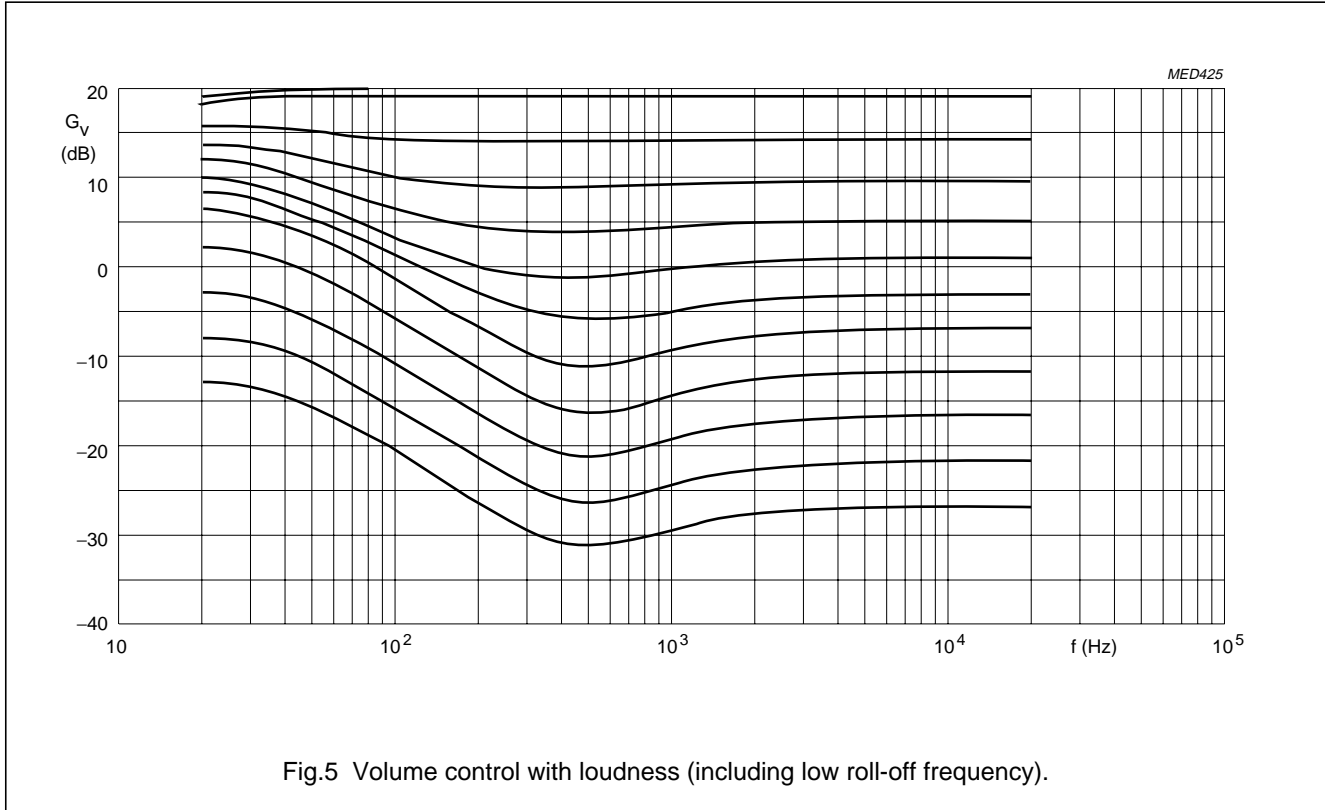


Fig.4 Treble control.

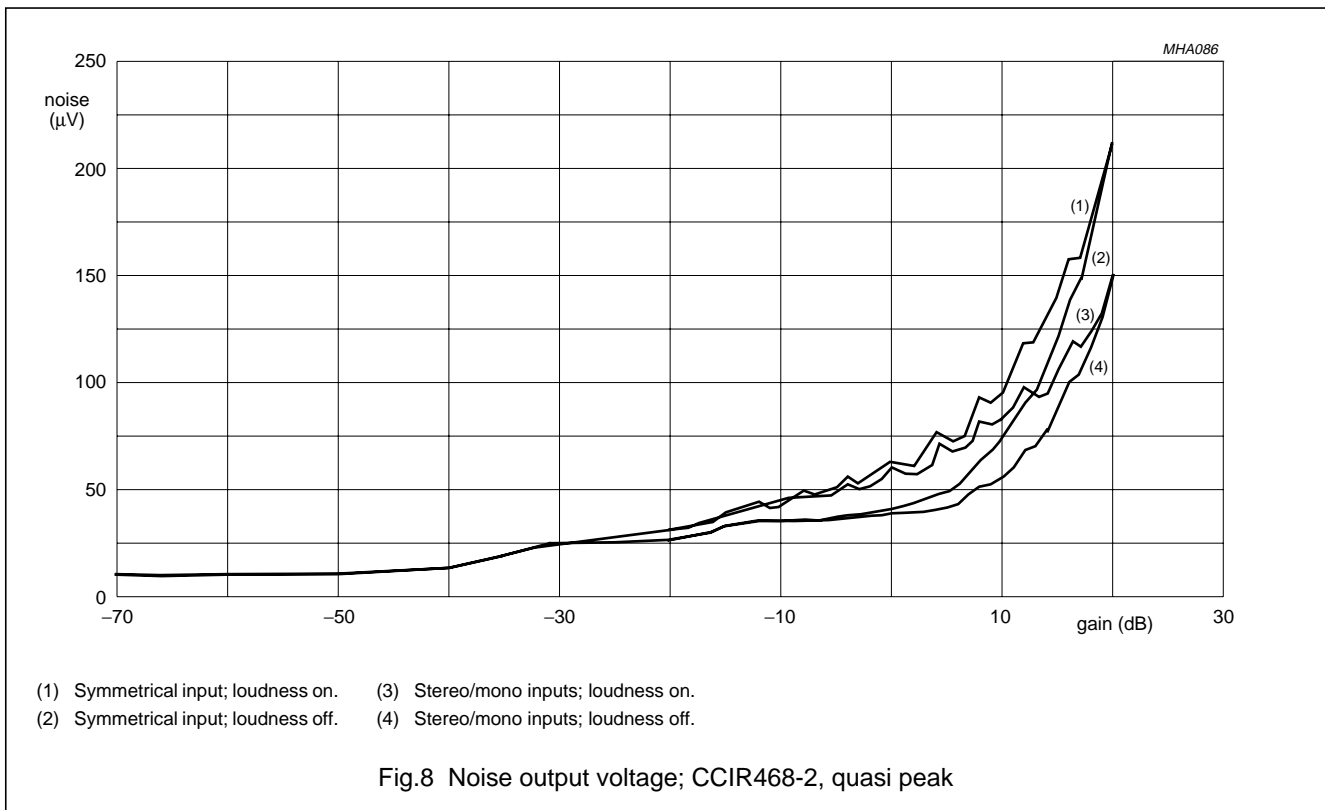
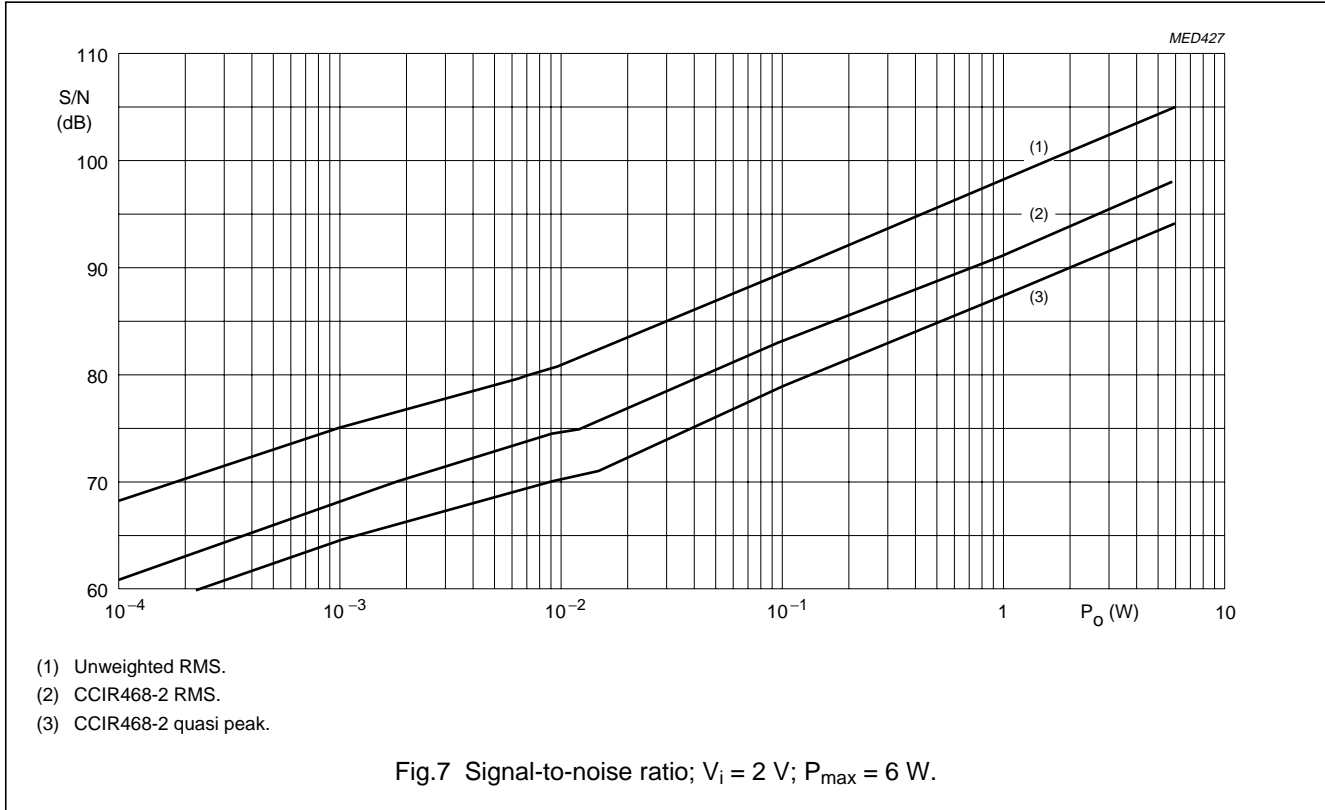
Sound fader control circuit

TEA6323T



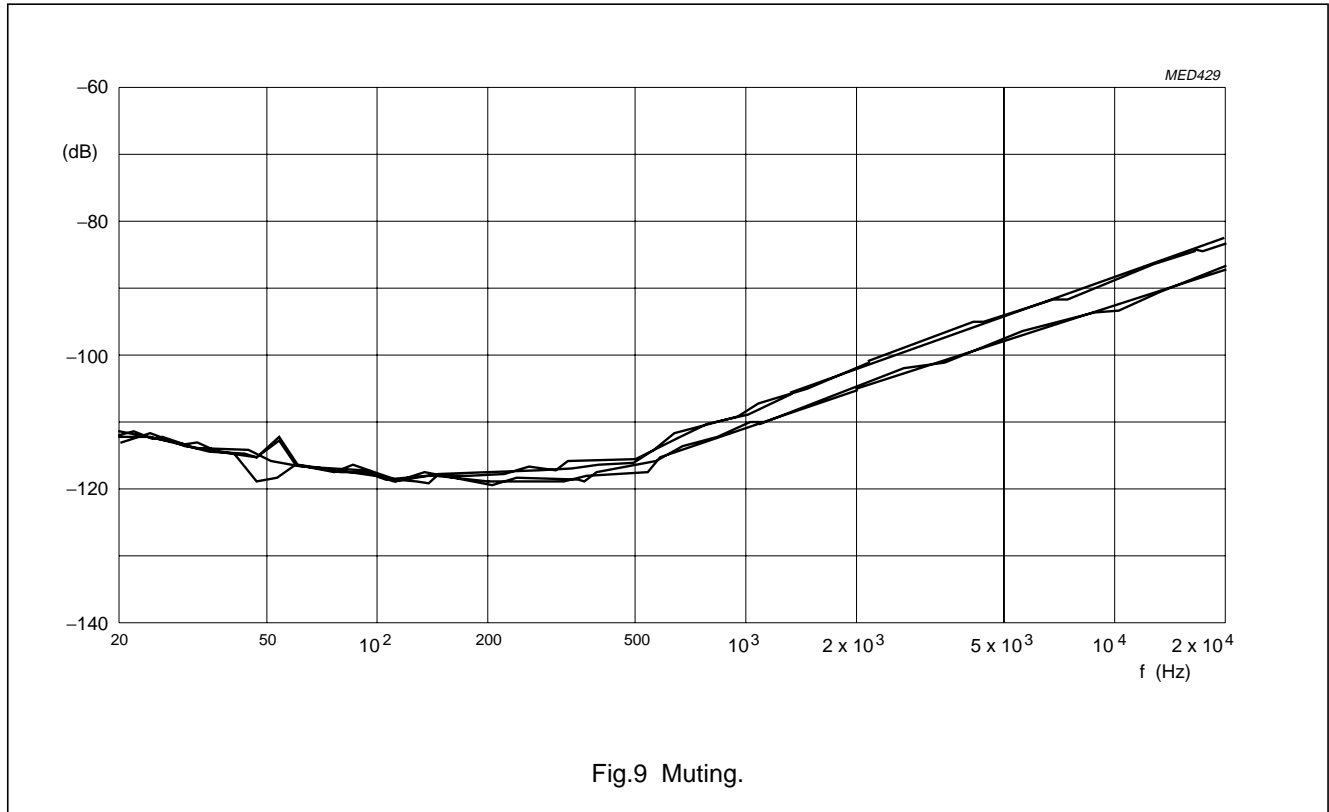
Sound fader control circuit

TEA6323T



Sound fader control circuit

TEA6323T

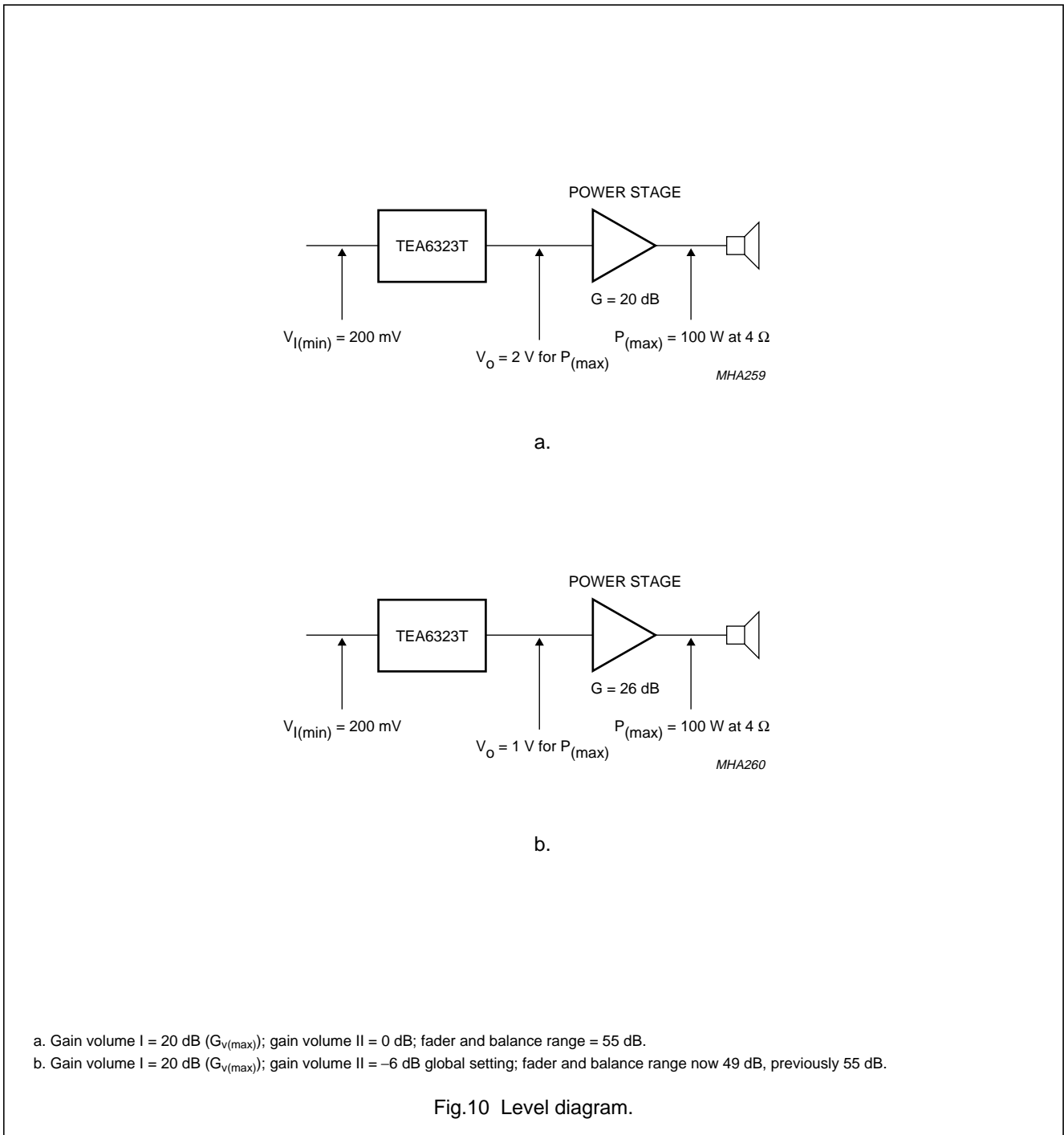


Sound fader control circuit

TEA6323T

If the 20 dB gain is not required for the maximum volume position, it will be an advantage to use the maximum boost gain and then increased attenuation in the last section, Volume II.

Therefore the loudness will be at the correct place and a lower noise and offset voltage will be achieved.





Sound fader control circuit

TEA6323T

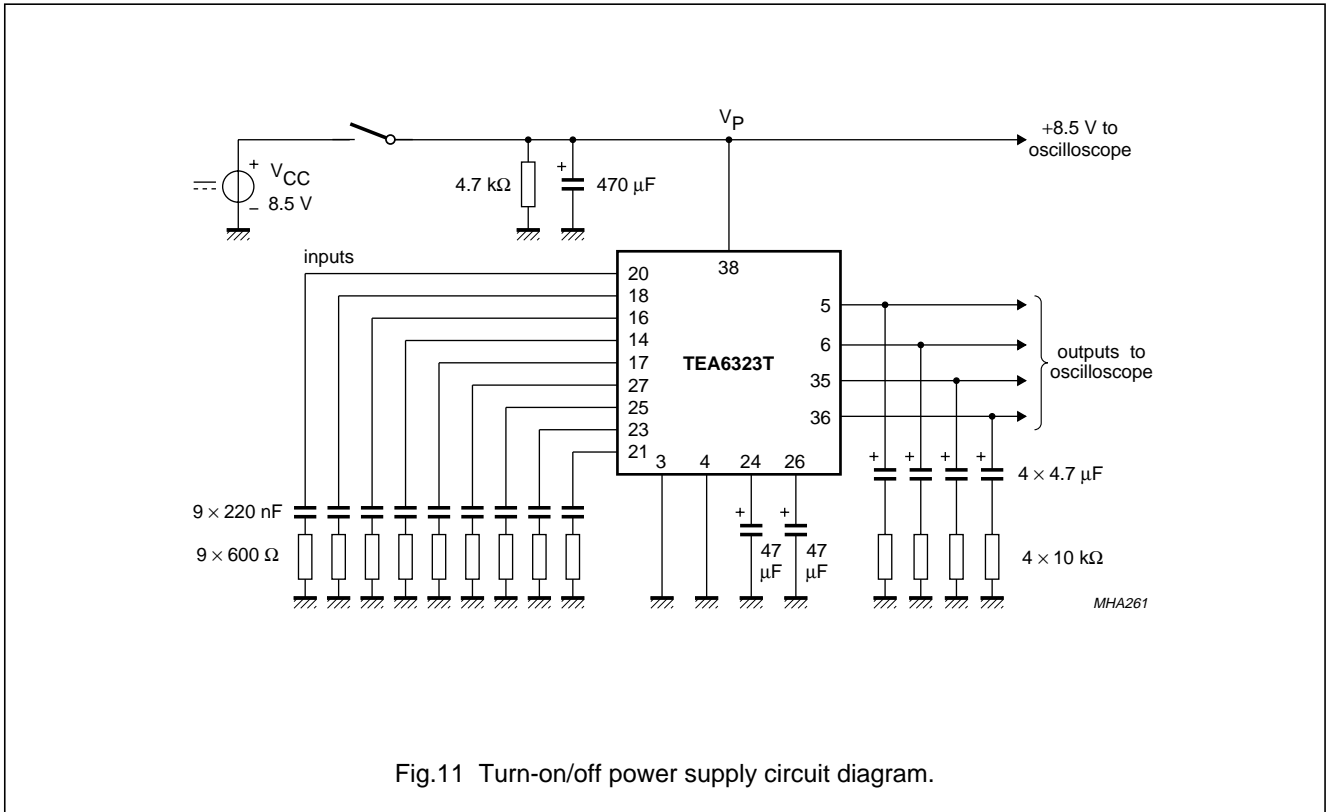


Fig.11 Turn-on/off power supply circuit diagram.

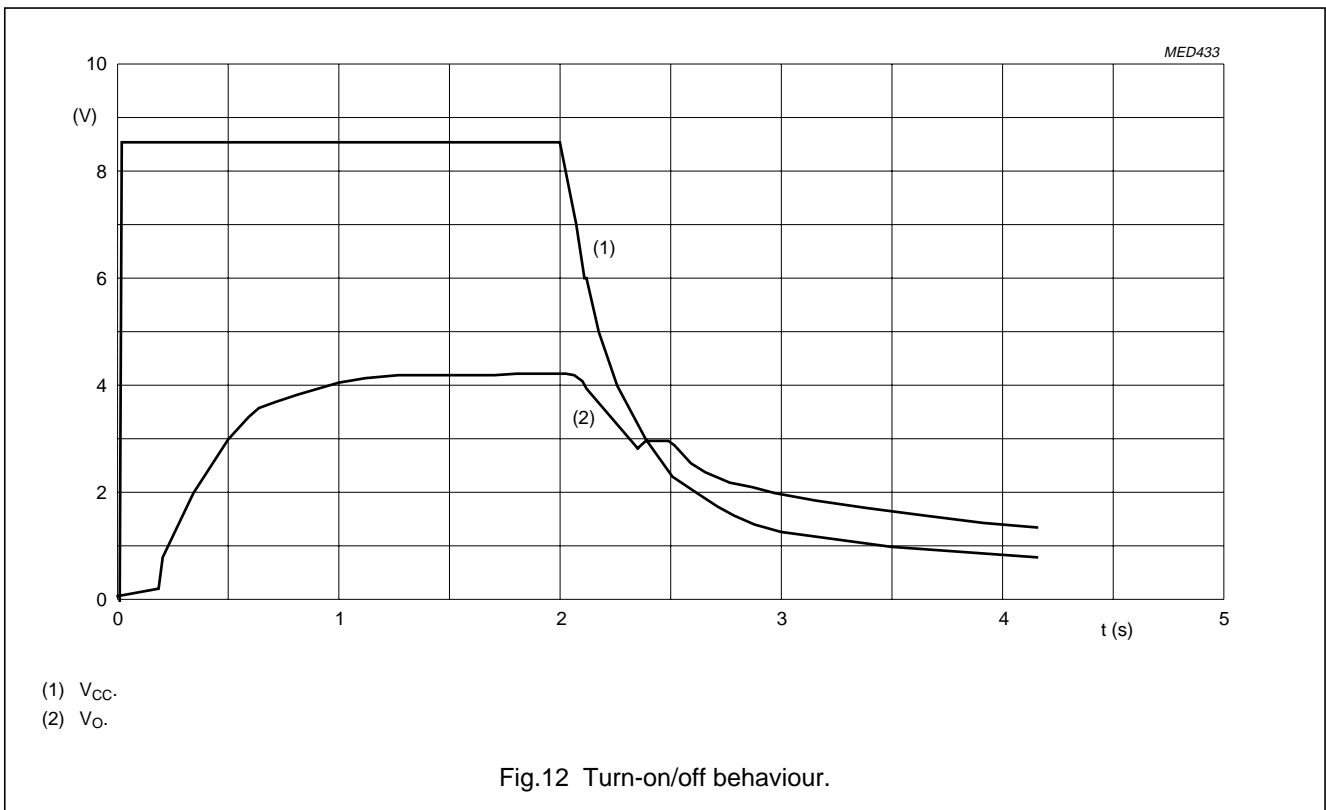


Fig.12 Turn-on/off behaviour.

Sound fader control circuit

TEA6323T

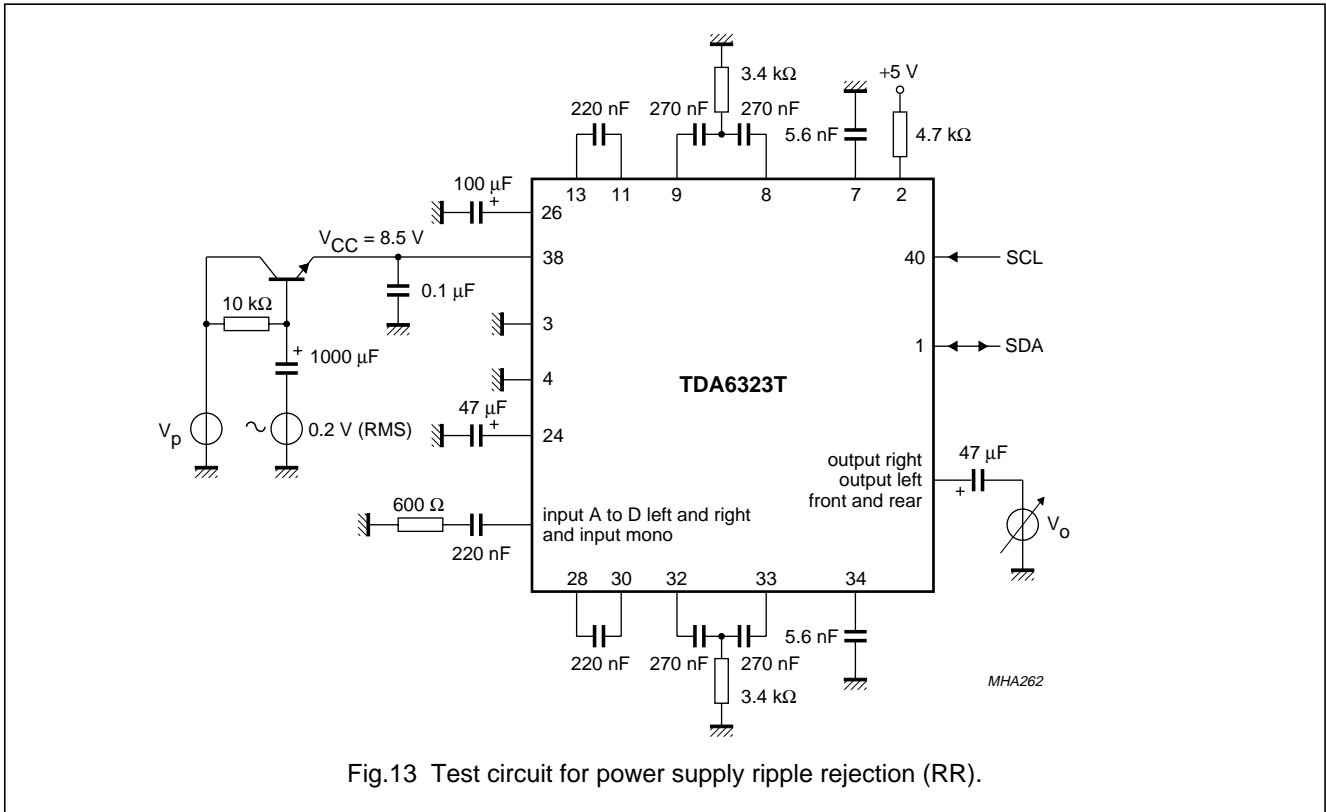


Fig.13 Test circuit for power supply ripple rejection (RR).

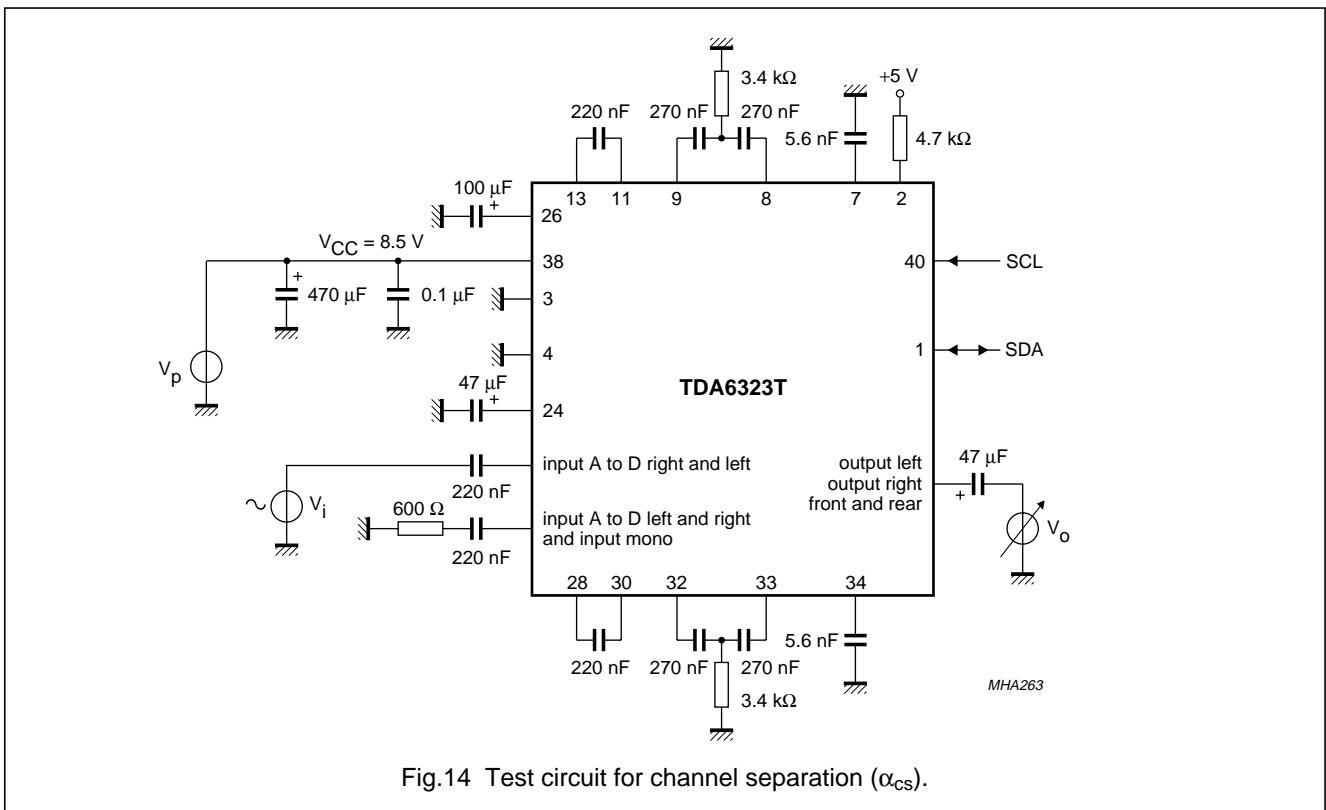


Fig.14 Test circuit for channel separation ( $\alpha_{CS}$ ).

Sound fader control circuit

TEA6323T

**Loudness filter calculation example**

Figure 15 shows the basic loudness circuit with an external low-pass filter application. R1 allows an attenuation range of 21 dB while the boost is determined by the gain stage V<sub>2</sub>. Both result in a loudness control range of +20 to -12 dB.

Defining f<sub>ref</sub> as the frequency where the level does not change while switching loudness on/off. The external resistor R3 for f<sub>ref</sub> → ∞ can be calculated as

$$R3 = R1 \frac{10^{\frac{G_v}{20}}}{1 - 10^{\frac{G_v}{20}}}$$

With G<sub>v</sub> = -21 dB and R1 = 33 kΩ,

R3 = 3.2 kΩ is generated.

For the low-pass filter characteristic the value of the external capacitor C1 can be determined by setting a specific boost for a defined frequency and referring the gain to G<sub>v</sub> at f<sub>ref</sub> as indicated above.

$$\left| \frac{1}{j(\omega C1)} \right| = \frac{(R1 + R3) \times 10^{\frac{G_v}{20}} - R3}{1 - 10^{\frac{G_v}{20}}}$$

For example: 3 dB boost at f = 1 kHz  
 G<sub>v</sub> = G<sub>v(ref)</sub> + 3 dB = -18 dB; f = 1 kHz and C1 = 100 nF.

If a loudness characteristic with additional high frequency boost is desired, an additional high-pass section has to be included in the external filter circuit as indicated in the block diagram. A filter configuration that provides AC coupling avoids offset voltage problems.

Figure 16 shows an example of the loudness circuit with bass and treble boost. The calculation of this network is numeric.

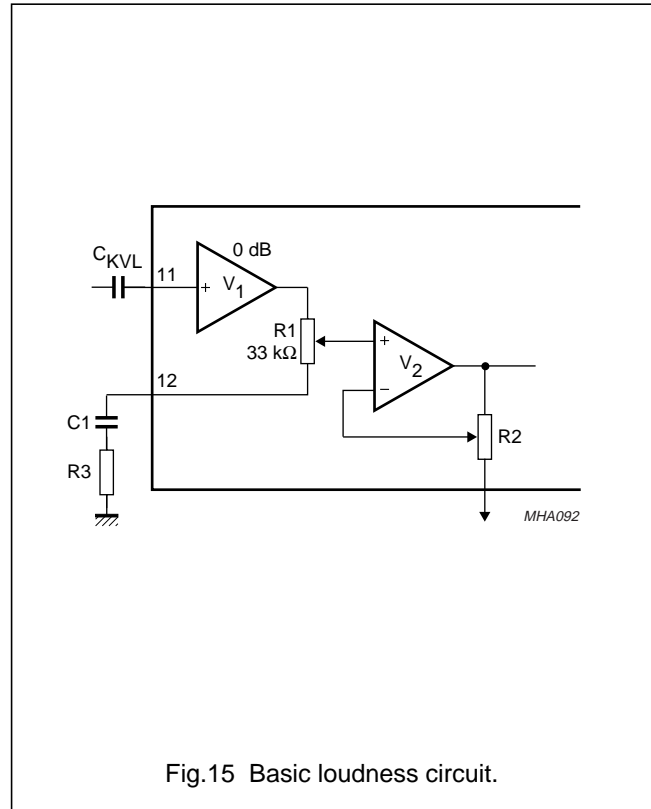


Fig.15 Basic loudness circuit.

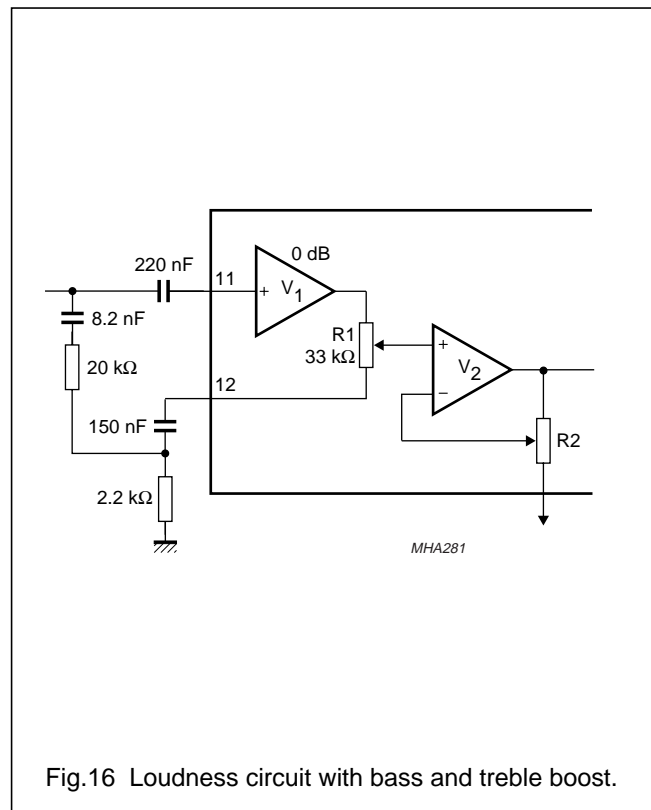


Fig.16 Loudness circuit with bass and treble boost.

# Sound fader control circuit

# TEA6323T

## INTERNAL PIN CONFIGURATIONS

Values shown in Figs 17 to 29 are typical DC values;  
 $V_{CC} = 8.5 \text{ V}$ .

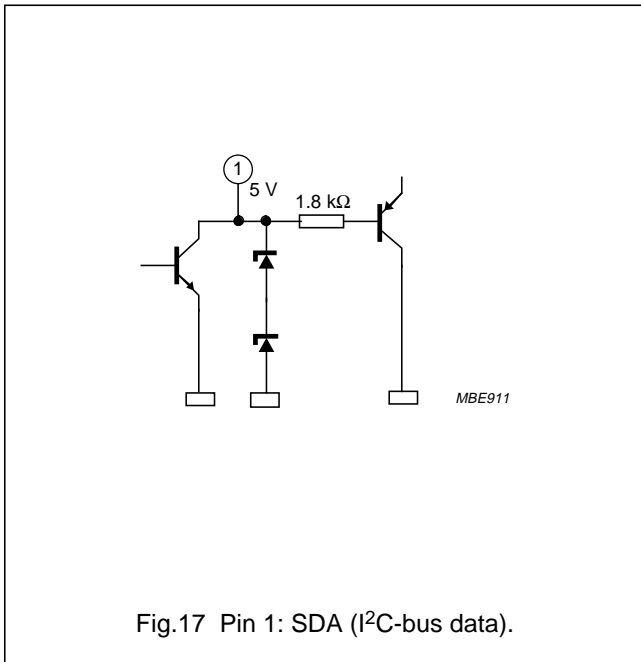


Fig.17 Pin 1: SDA (I<sup>2</sup>C-bus data).

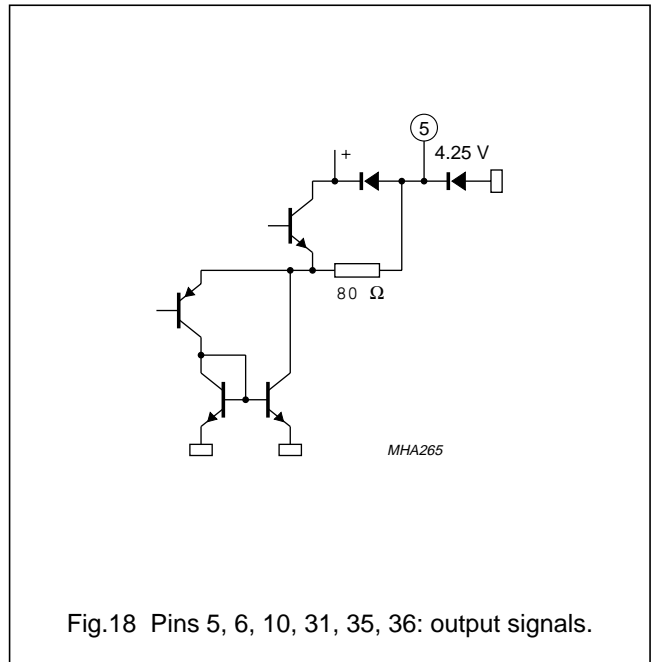


Fig.18 Pins 5, 6, 10, 31, 35, 36: output signals.

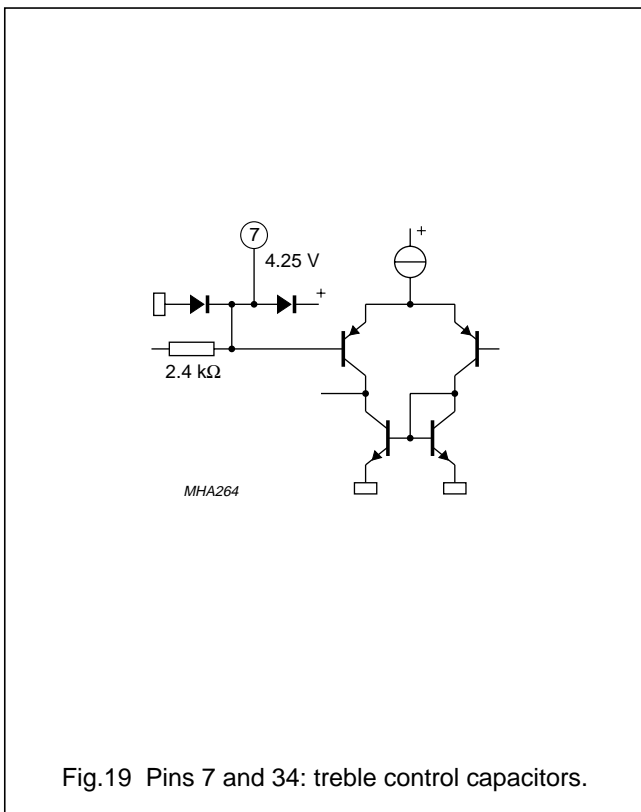


Fig.19 Pins 7 and 34: treble control capacitors.

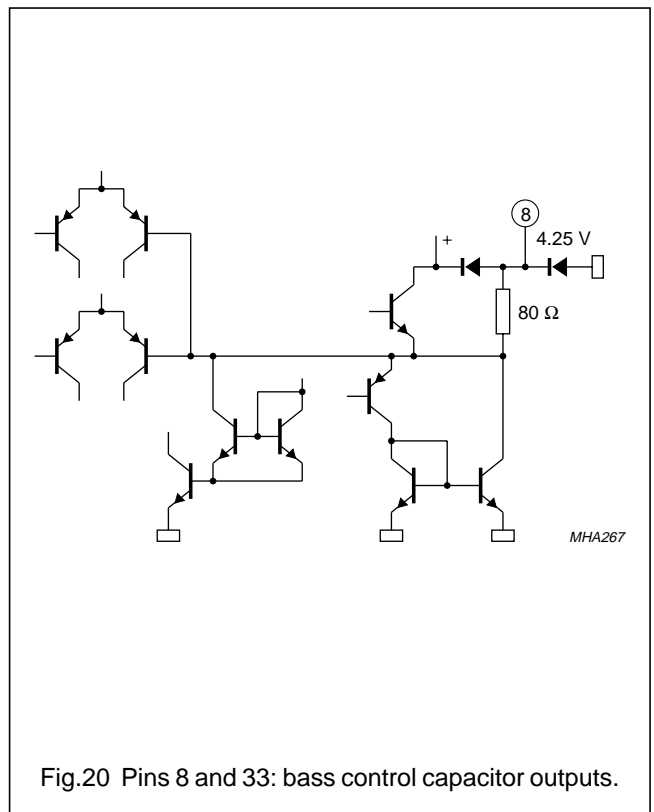
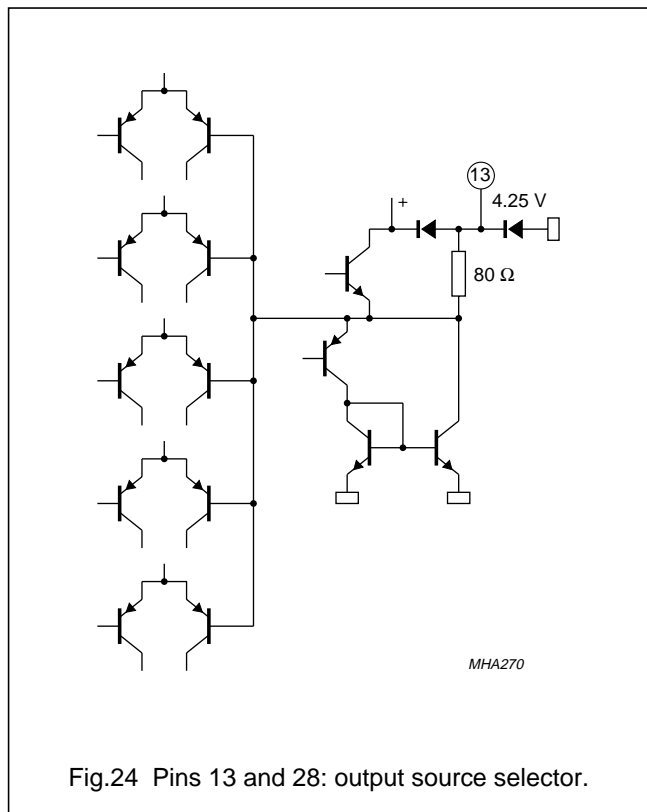
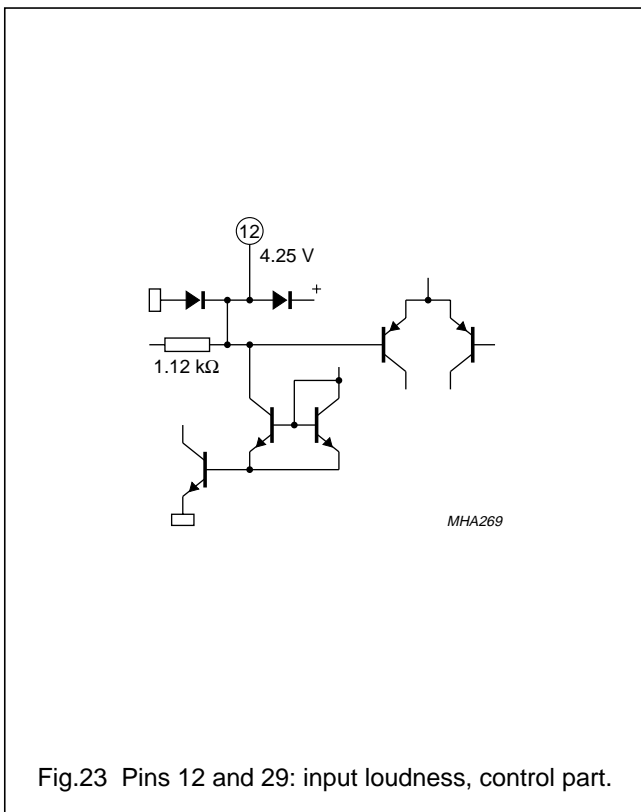
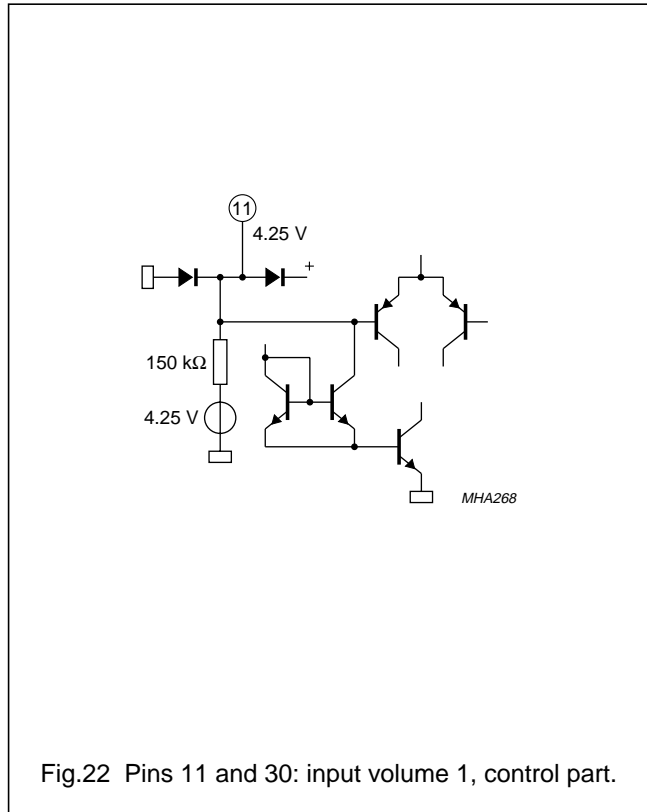
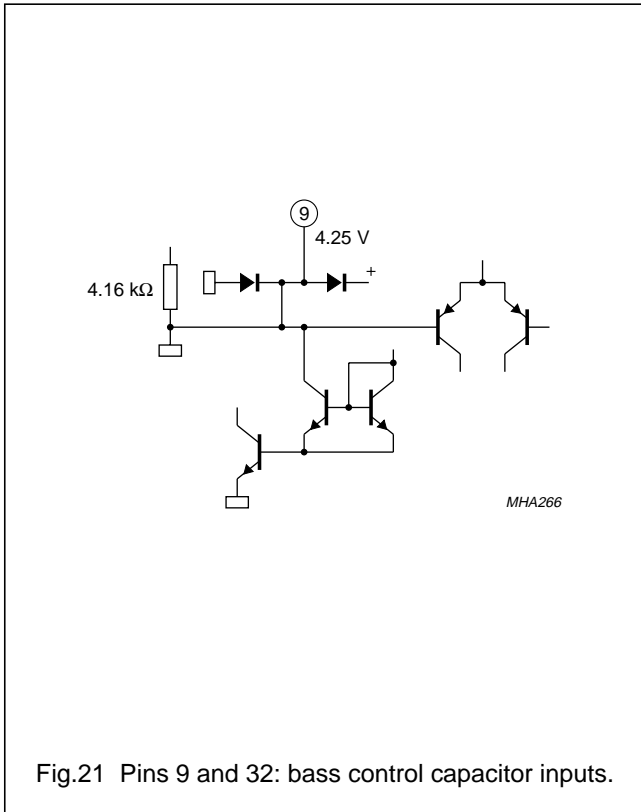


Fig.20 Pins 8 and 33: bass control capacitor outputs.

Sound fader control circuit

TEA6323T



Sound fader control circuit

TEA6323T

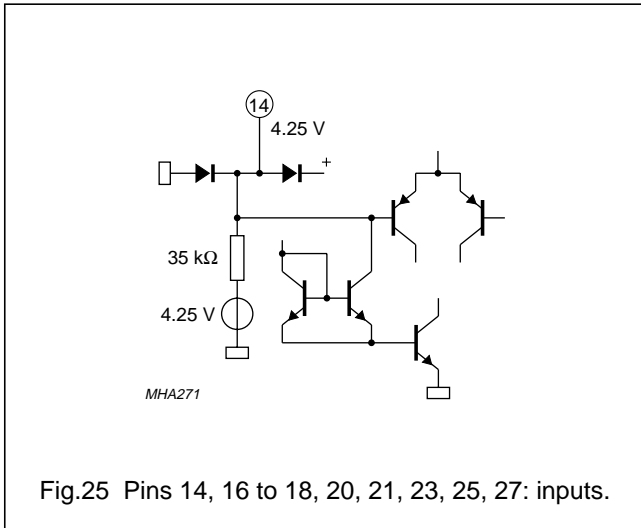


Fig.25 Pins 14, 16 to 18, 20, 21, 23, 25, 27: inputs.

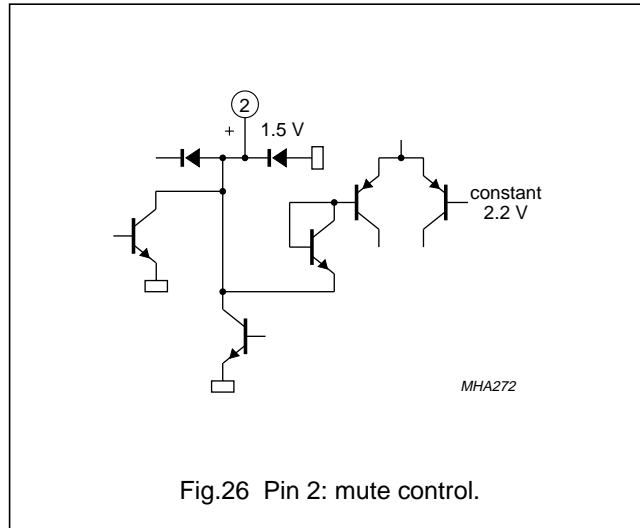


Fig.26 Pin 2: mute control.

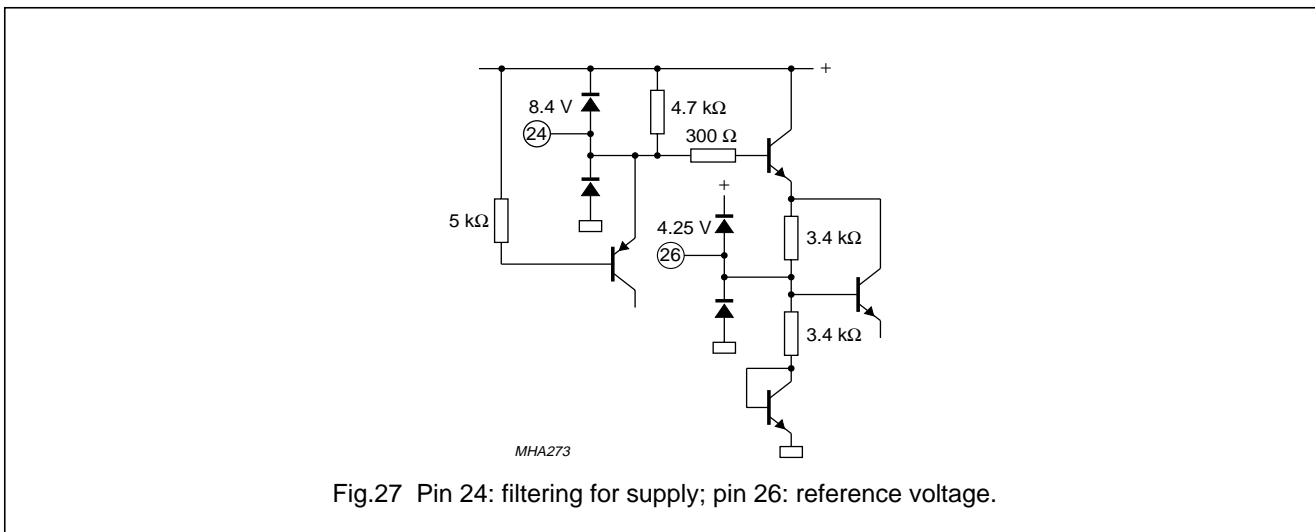


Fig.27 Pin 24: filtering for supply; pin 26: reference voltage.

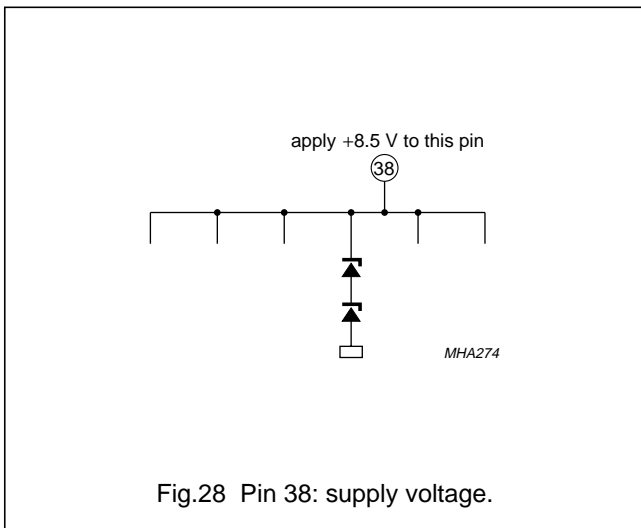


Fig.28 Pin 38: supply voltage.

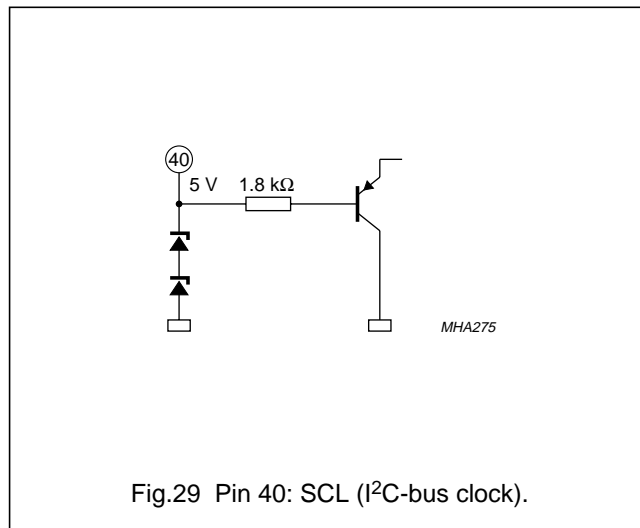


Fig.29 Pin 40: SCL (I²C-bus clock).

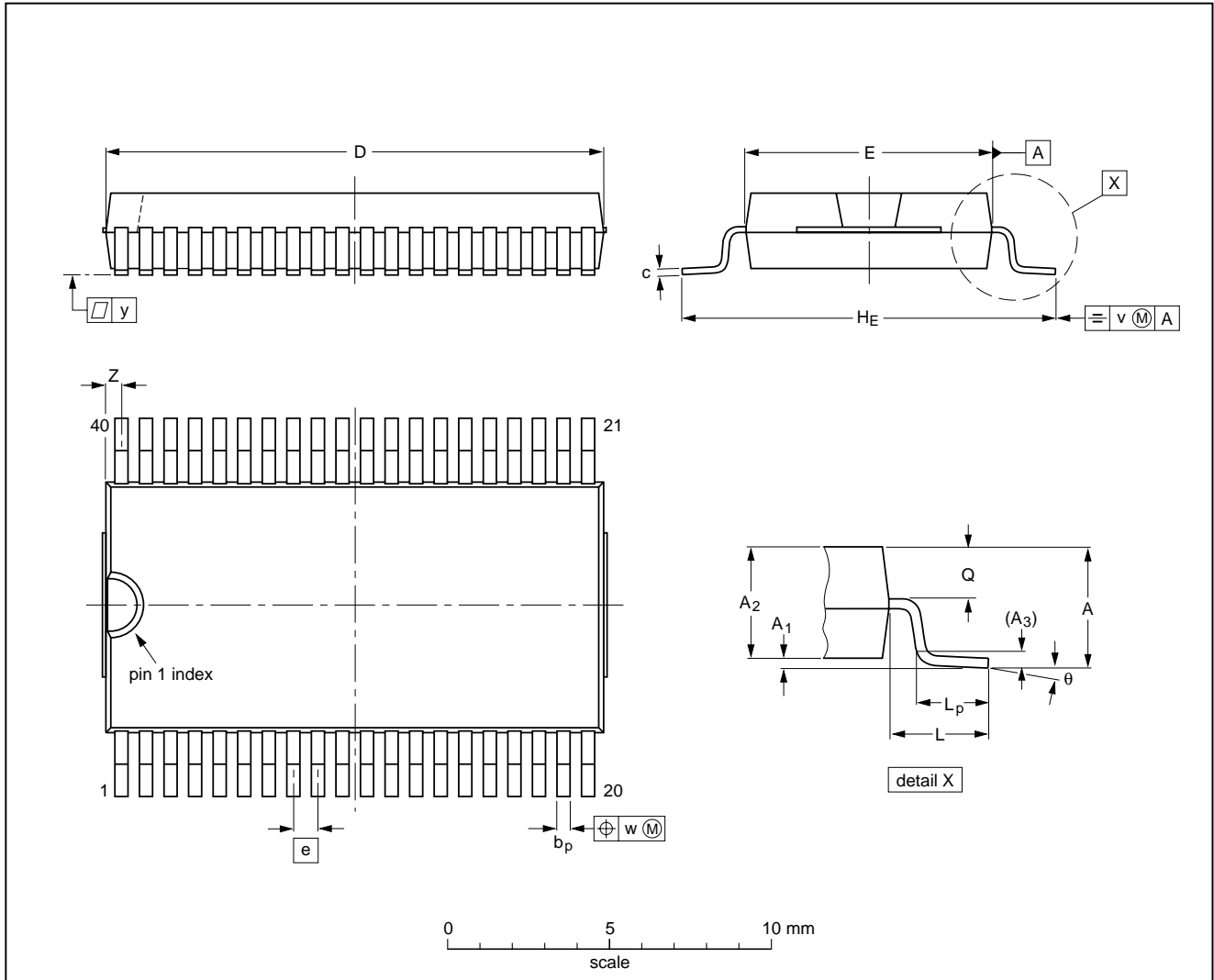
Sound fader control circuit

TEA6323T

PACKAGE OUTLINE

VSO40: plastic very small outline package; 40 leads

SOT158-1



DIMENSIONS (inch dimensions are derived from the original mm dimensions)

UNIT	A max.	A <sub>1</sub>	A <sub>2</sub>	A <sub>3</sub>	b <sub>p</sub>	c	D <sup>(1)</sup>	E <sup>(2)</sup>	e	H <sub>E</sub>	L	L <sub>p</sub>	Q	v	w	y	z <sup>(1)</sup>	θ
mm	2.70	0.3 0.1	2.45 2.25	0.25	0.42 0.30	0.22 0.14	15.6 15.2	7.6 7.5	0.762	12.3 11.8	2.25	1.7 1.5	1.15 1.05	0.2	0.1	0.1	0.6 0.3	7° 0°
inches	0.11	0.012 0.004	0.096 0.089	0.010	0.017 0.012	0.0087 0.0055	0.61 0.60	0.30 0.29	0.03	0.48 0.46	0.089	0.067 0.059	0.045 0.041	0.008	0.004	0.004	0.024 0.012	

Notes

1. Plastic or metal protrusions of 0.4 mm maximum per side are not included.
2. Plastic interlead protrusions of 0.25 mm maximum per side are not included.

OUTLINE VERSION	REFERENCES				EUROPEAN PROJECTION	ISSUE DATE
	IEC	JEDEC	EIAJ			
SOT158-1						92-11-17 95-01-24

---

## Sound fader control circuit

## TEA6323T

---

### SOLDERING

#### Introduction

There is no soldering method that is ideal for all IC packages. Wave soldering is often preferred when through-hole and surface mounted components are mixed on one printed-circuit board. However, wave soldering is not always suitable for surface mounted ICs, or for printed-circuits with high population densities. In these situations reflow soldering is often used.

This text gives a very brief insight to a complex technology. A more in-depth account of soldering ICs can be found in our *"IC Package Databook"* (order code 9398 652 90011).

#### Reflow soldering

Reflow soldering techniques are suitable for all VSO packages.

Reflow soldering requires solder paste (a suspension of fine solder particles, flux and binding agent) to be applied to the printed-circuit board by screen printing, stencilling or pressure-syringe dispensing before package placement.

Several techniques exist for reflowing; for example, thermal conduction by heated belt. Dwell times vary between 50 and 300 seconds depending on heating method. Typical reflow temperatures range from 215 to 250 °C.

Preheating is necessary to dry the paste and evaporate the binding agent. Preheating duration: 45 minutes at 45 °C.

#### Wave soldering

Wave soldering techniques can be used for all VSO packages if the following conditions are observed:

- A double-wave (a turbulent wave with high upward pressure followed by a smooth laminar wave) soldering technique should be used.
- The longitudinal axis of the package footprint must be parallel to the solder flow.
- The package footprint must incorporate solder thieves at the downstream end.

During placement and before soldering, the package must be fixed with a droplet of adhesive. The adhesive can be applied by screen printing, pin transfer or syringe dispensing. The package can be soldered after the adhesive is cured.

Maximum permissible solder temperature is 260 °C, and maximum duration of package immersion in solder is 10 seconds, if cooled to less than 150 °C within 6 seconds. Typical dwell time is 4 seconds at 250 °C.

A mildly-activated flux will eliminate the need for removal of corrosive residues in most applications.

#### Repairing soldered joints

Fix the component by first soldering two diagonally-opposite end leads. Use only a low voltage soldering iron (less than 24 V) applied to the flat part of the lead. Contact time must be limited to 10 seconds at up to 300 °C. When using a dedicated tool, all other leads can be soldered in one operation within 2 to 5 seconds between 270 and 320 °C.



## Sound fader control circuit

TEA6323T

**DEFINITIONS**

<b>Data sheet status</b>	
Objective specification	This data sheet contains target or goal specifications for product development.
Preliminary specification	This data sheet contains preliminary data; supplementary data may be published later.
Product specification	This data sheet contains final product specifications.
<b>Limiting values</b>	
Limiting values given are in accordance with the Absolute Maximum Rating System (IEC 134). Stress above one or more of the limiting values may cause permanent damage to the device. These are stress ratings only and operation of the device at these or at any other conditions above those given in the Characteristics sections of the specification is not implied. Exposure to limiting values for extended periods may affect device reliability.	
<b>Application information</b>	
Where application information is given, it is advisory and does not form part of the specification.	

**LIFE SUPPORT APPLICATIONS**

These products are not designed for use in life support appliances, devices, or systems where malfunction of these products can reasonably be expected to result in personal injury. Philips customers using or selling these products for use in such applications do so at their own risk and agree to fully indemnify Philips for any damages resulting from such improper use or sale.

**PURCHASE OF PHILIPS I<sup>2</sup>C COMPONENTS**

Purchase of Philips I<sup>2</sup>C components conveys a license under the Philips' I<sup>2</sup>C patent to use the components in the I<sup>2</sup>C system provided the system conforms to the I<sup>2</sup>C specification defined by Philips. This specification can be ordered using the code 9398 393 40011.

Sound fader control circuit

TEA6323T

---

**NOTES**

Sound fader control circuit

TEA6323T

---

**NOTES**

## Philips Semiconductors – a worldwide company

**Argentina:** IEROD, Av. Juramento 1992 - 14.b, (1428)  
BUENOS AIRES, Tel. (541)786 7633, Fax. (541)786 9367

**Australia:** 34 Waterloo Road, NORTH RYDE, NSW 2113,  
Tel. (02)805 4455, Fax. (02)805 4466

**Austria:** Triester Str. 64, A-1101 WIEN, P.O. Box 213,  
Tel. (01)60 101-1236, Fax. (01)60 101-1211

**Belgium:** Postbus 90050, 5600 PB EINDHOVEN, The Netherlands,  
Tel. (31)40-2783749, Fax. (31)40-2788399

**Brazil:** Rua do Rocio 220 - 5<sup>th</sup> floor, Suite 51,  
CEP: 04552-903-SÃO PAULO-SP, Brazil,  
P.O. Box 7383 (01064-970),  
Tel. (011)821-2333, Fax. (011)829-1849

**Canada:** PHILIPS SEMICONDUCTORS/COMPONENTS:  
Tel. (800) 234-7381, Fax. (708) 296-8556

**Chile:** Av. Santa Maria 0760, SANTIAGO,  
Tel. (02)773 816, Fax. (02)777 6730

**China/Hong Kong:** 501 Hong Kong Industrial Technology Centre,  
72 Tat Chee Avenue, Kowloon Tong, HONG KONG,  
Tel. (852)2319 7888, Fax. (852)2319 7700

**Colombia:** IPRELENZO LTDA, Carrera 21 No. 56-17,  
77621 BOGOTA, Tel. (571)249 7624/(571)217 4609,  
Fax. (571)217 4549

**Denmark:** Prags Boulevard 80, PB 1919, DK-2300  
COPENHAGEN S, Tel. (45)32 88 26 36, Fax. (45)31 57 19 49

**Finland:** Sinikalliontie 3, FIN-02630 ESPOO,  
Tel. (358)0-615 800, Fax. (358)0-615800 920

**France:** 4 Rue du Port-aux-Vins, BP317,  
92156 SURESNES Cedex,  
Tel. (01)4099 6161, Fax. (01)4099 6427

**Germany:** P.O. Box 10 51 40, 20035 HAMBURG,  
Tel. (040)23 53 60, Fax. (040)23 53 63 00

**Greece:** No. 15, 25th March Street, GR 17778 TAVROS,  
Tel. (01)4894 339/4894 911, Fax. (01)4814 240

**India:** Philips INDIA Ltd, Shivsagar Estate, A Block,  
Dr. Annie Besant Rd. Worli, Bombay 400 018  
Tel. (022)4938 541, Fax. (022)4938 722

**Indonesia:** Philips House, Jalan H.R. Rasuna Said Kav. 3-4,  
P.O. Box 4252, JAKARTA 12950,  
Tel. (021)5201 122, Fax. (021)5205 189

**Ireland:** Newstead, Clonskeagh, DUBLIN 14,  
Tel. (01)7640 000, Fax. (01)7640 200

**Italy:** PHILIPS SEMICONDUCTORS S.r.l.,  
Piazza IV Novembre 3, 20124 MILANO,  
Tel. (0039)2 6752 2531, Fax. (0039)2 6752 2557

**Japan:** Philips Bldg 13-37, Kohnan2-chome, Minato-ku, TOKYO 108,  
Tel. (03)3740 5130, Fax. (03)3740 5077

**Korea:** Philips House, 260-199 Itaewon-dong,  
Yongsan-ku, SEOUL, Tel. (02)709-1412, Fax. (02)709-1415

**Malaysia:** No. 76 Jalan Universiti, 46200 PETALING JAYA,  
SELANGOR, Tel. (03)750 5214, Fax. (03)757 4880

**Mexico:** 5900 Gateway East, Suite 200, EL PASO, TX 79905,  
Tel. 9-5(800)234-7381, Fax. (708)296-8556

**Netherlands:** Postbus 90050, 5600 PB EINDHOVEN, Bldg. VB,  
Tel. (040)2783749, Fax. (040)2788399

**New Zealand:** 2 Wagener Place, C.P.O. Box 1041, AUCKLAND,  
Tel. (09)849-4160, Fax. (09)849-7811

**Norway:** Box 1, Manglerud 0612, OSLO,  
Tel. (022)74 8000, Fax. (022)74 8341

**Pakistan:** Philips Electrical Industries of Pakistan Ltd.,  
Exchange Bldg. ST-2/A, Block 9, KDA Scheme 5, Clifton,  
KARACHI 75600, Tel. (021)587 4641-49,  
Fax. (021)577035/5874546

**Philippines:** PHILIPS SEMICONDUCTORS PHILIPPINES Inc.,  
106 Valero St. Salcedo Village, P.O. Box 2108 MCC, MAKATI,  
Metro MANILA, Tel. (63) 2 816 6380, Fax. (63) 2 817 3474

**Portugal:** PHILIPS PORTUGUESA, S.A.,  
Rua dr. António Loureiro Borges 5, Arquiparque - Miraflores,  
Apartado 300, 2795 LINDA-A-VELHA,  
Tel. (01)4163160/4163333, Fax. (01)4163174/4163366

**Singapore:** Lorong 1, Toa Payoh, SINGAPORE 1231,  
Tel. (65)350 2000, Fax. (65)251 6500

**South Africa:** S.A. PHILIPS Pty Ltd.,  
195-215 Main Road Martindale, 2092 JOHANNESBURG,  
P.O. Box 7430, Johannesburg 2000,  
Tel. (011)470-5911, Fax. (011)470-5494

**Spain:** Balmes 22, 08007 BARCELONA,  
Tel. (03)301 6312, Fax. (03)301 42 43

**Sweden:** Kottbygatan 7, Akalla. S-164 85 STOCKHOLM,  
Tel. (0)8-632 2000, Fax. (0)8-632 2745

**Switzerland:** Allmendstrasse 140, CH-8027 ZÜRICH,  
Tel. (01)488 2211, Fax. (01)481 77 30

**Taiwan:** PHILIPS TAIWAN Ltd., 23-30F, 66, Chung Hsiao West  
Road, Sec. 1, Taipei, Taiwan ROC, P.O. Box 22978,  
TAIPEI 100, Tel. (886) 2 382 4443, Fax. (886) 2 382 4444

**Thailand:** PHILIPS ELECTRONICS (THAILAND) Ltd.,  
209/2 Sanpavuth-Bangna Road Prakanong,  
Bangkok 10260, THAILAND,  
Tel. (66) 2 745-4090, Fax. (66) 2 398-0793

**Turkey:** Talatpasa Cad. No. 5, 80640 GÜLTEPE/ISTANBUL,  
Tel. (0212)279 27 70, Fax. (0212)282 67 07

**Ukraine:** PHILIPS UKRAINE, 2A Akademika Koroleva str., Office 165,  
252148 KIEV, Tel. 380-44-4760297, Fax. 380-44-4766991

**United Kingdom:** Philips Semiconductors LTD.,  
276 Bath Road, Hayes, MIDDLESEX UB3 5BX,  
Tel. (0181)730-5000, Fax. (0181)754-8421

**United States:** 811 East Arques Avenue, SUNNYVALE,  
CA 94088-3409, Tel. (800)234-7381, Fax. (708)296-8556

**Uruguay:** Coronel Mora 433, MONTEVIDEO,  
Tel. (02)70-4044, Fax. (02)92 0601

**Internet:** <http://www.semiconductors.philips.com/ps/>

**For all other countries apply to:** Philips Semiconductors,  
International Marketing and Sales, Building BE-p,  
P.O. Box 218, 5600 MD EINDHOVEN, The Netherlands,  
Telex 35000 phtcnl, Fax. +31-40-2724825

SCD47

© Philips Electronics N.V. 1995

All rights are reserved. Reproduction in whole or in part is prohibited without the prior written consent of the copyright owner.

The information presented in this document does not form part of any quotation or contract, is believed to be accurate and reliable and may be changed without notice. No liability will be accepted by the publisher for any consequence of its use. Publication thereof does not convey nor imply any license under patent- or other industrial or intellectual property rights.

Printed in The Netherlands

513061/1100/01/pp36  
Document order number:

Date of release: 1995 Dec 20  
9397 750 00536