

**INTEGRATED CIRCUITS**

# DATA SHEET

## **TEA6820T; TEA6822T** In Car Entertainment (ICE) car radio

Preliminary specification  
Supersedes data of 1996 Oct 18  
File under Integrated Circuits, IC01

1997 Feb 12

**In Car Entertainment (ICE) car radio****TEA6820T; TEA6822T****FEATURES****General**

- FM mixer for conversion from FM-IF<sub>1</sub> = 72.2 MHz to FM-IF<sub>2</sub> = 10.7 MHz
- AM mixer for conversion from AM-IF<sub>1</sub> = 10.7 MHz to AM-IF<sub>2</sub> = 450 kHz
- FM-IF gain stage
- Crystal oscillator providing mixer frequencies and references for IF-count and stereo decoder
- FM quadrature demodulator with automatic centre frequency adjustment and THD compensation
- Level, multi-path and noise detectors
- Soft mute
- Stereo noise cancelling and variable de-emphasis
- PLL stereo decoder
- Noise blanker
- AM IF-amplifier and demodulator
- I<sup>2</sup>C-bus transceiver with interface to enable direct data transfer to radio front-end
- IF-count for AM and FM
- Reference frequency generation for PLL synthesizer.

**Stereo decoder**

- Adjustment-free PLL VCO
- Pilot depending mono/stereo switching
- Analog control of mono/stereo blend
- Adjacent channel noise suppression (114 kHz)
- Pilot cancelled
- Analog control of de-emphasis
- Integrated low-pass filters for 190 kHz adjacent channel interferences and signal delay for interference absorption circuit.

**GENERAL DESCRIPTION**

The TEA6820T together with the TEA6810T and the TEA6822T together with the TEA6811T forms an AM/FM electronic tuned car radio in a double conversion receiver concept.

**ORDERING INFORMATION**

TYPE NUMBER	PACKAGE		
	NAME	DESCRIPTION	VERSION
TEA6820T	VSO56	plastic very small outline package; 56 leads; face down	SOT190-2
TEA6822T	VSO56	plastic very small outline package; 56 leads	SOT190-1

## In Car Entertainment (ICE) car radio

## TEA6820T; TEA6822T

## QUICK REFERENCE DATA

SYMBOL	PARAMETER	CONDITIONS	MIN.	TYP.	MAX.	UNIT
V <sub>DDA1</sub>	analog supply voltage 1 (+5 V; pin 5)	note 1	4.5	5.0	5.5	V
		operating range	4.75	5.0	5.25	V
I <sub>DDA1</sub>	analog supply current 1 (pin 5)	FM mode	17	21	25	mA
		AM mode	14	17	21	mA
I <sub>19</sub> + I <sub>20</sub>	total FM mixer output current		4.8	6.0	7.2	mA
I <sub>22</sub> + I <sub>23</sub>	total AM mixer output current		10	12	14	mA
V <sub>DDA2</sub>	analog supply voltage 2 (pin 28)	note 1	7.0	8.5	10	V
		operating range	8.1	8.5	8.9	V
I <sub>DDA2</sub>	analog supply current 2 (pin 28)	FM mode	2.4	3.0	3.6	mA
V <sub>DDA3</sub>	analog supply voltage 3 (+8.5 V; pin 56)	note 1	7.0	8.5	10	V
		operating range	8.1	8.5	8.9	V
I <sub>DDA3</sub>	analog supply current 3 (pin 56)	FM mode	19	24	28	mA
		AM mode	9.5	12	15	mA
V <sub>DDD</sub>	digital supply voltage 1 (+5 V; pin 5)	note 1	4.5	5.0	5.5	V
		operating range	4.75	5.0	5.25	V
I <sub>DDD</sub>	digital supply current (pin 52)	note 1	8	10	12	mA
$\frac{S + N}{N}$	signal plus noise-to-noise ratio	FM mode; $\Delta f = 22.5$ kHz at pins 43 and 47	66	75	–	dB
		AM mode; m = 0.3	54	60	–	dB
THD	total harmonic distortion	FM mode; $\Delta f = 75$ kHz	–	0.1	0.35	%
		AM mode	–	1.5	3	%
$\alpha_{CS}$	channel separation (adjusted)		40	–	–	dB
T <sub>amb</sub>	operating ambient temperature		–40	–	+85	°C

## Note

1. IC is operating; specified parameters may deviate from limits which are valid for operating range.

# In Car Entertainment (ICE) car radio

# TEA6820T; TEA6822T

## BLOCK DIAGRAM

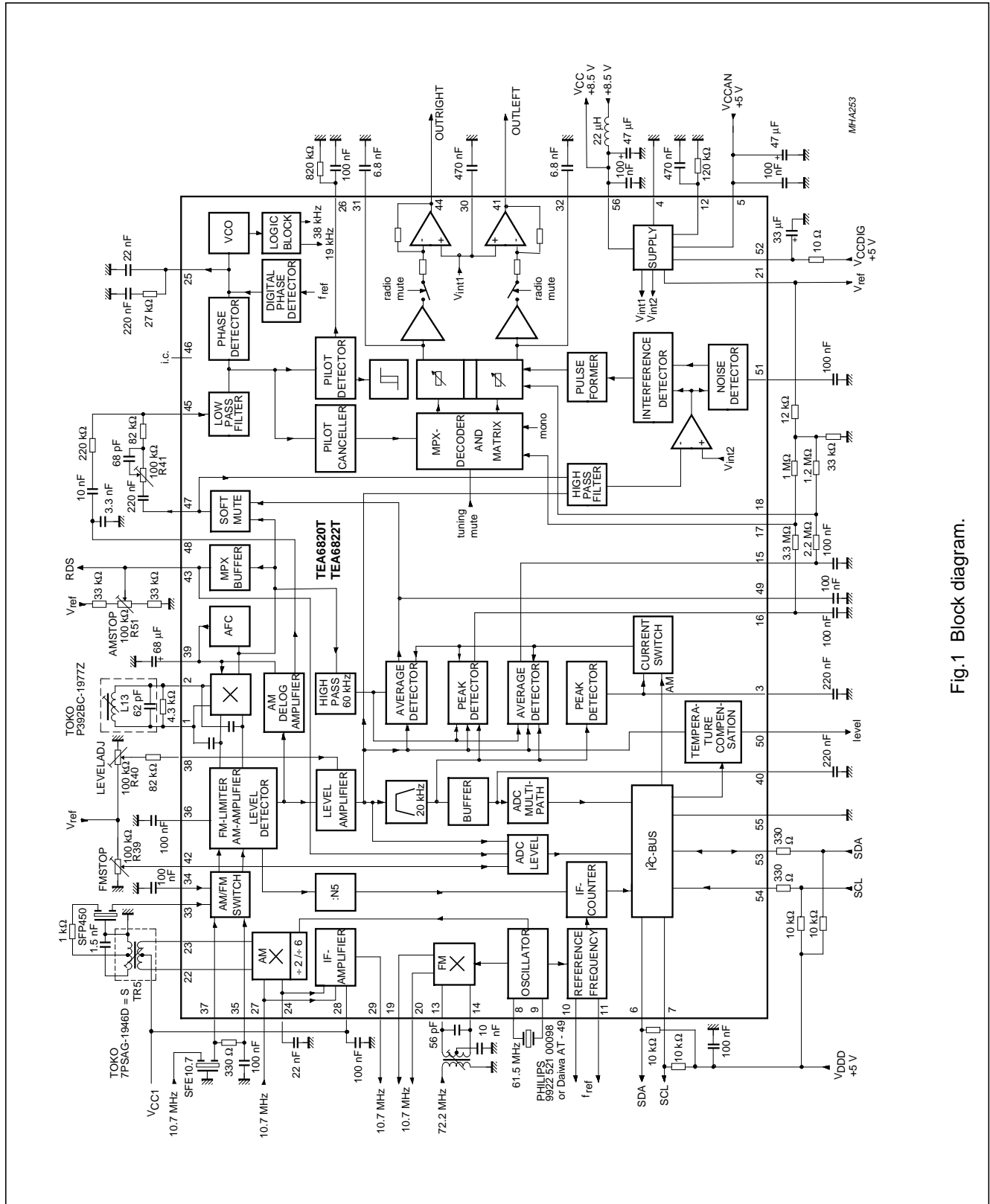


Fig.1 Block diagram.

## In Car Entertainment (ICE) car radio

## TEA6820T; TEA6822T

## PINNING

SYMBOL	PIN	DESCRIPTION
QDET1	1	demodulator tank 1
QDET2	2	demodulator tank 2
TSWITCH	3	time switch input
AGND	4	analog ground
V <sub>DDA1</sub>	5	analog supply voltage 1 (+5 V)
HFBUS1	6	HF bus 1 output; pull-up to +5 V
HFBUS2	7	HF bus 2 output; pull-up to +5 V
XTAL1	8	crystal oscillator 1
XTAL2	9	crystal oscillator 2
f <sub>ref(p)</sub>	10	PLL reference frequency output (p)
f <sub>ref(n)</sub>	11	PLL reference frequency output (n)
I <sub>ref</sub>	12	reference current
FMIF1IN1	13	72 MHz FM-IF input 1
FMIF1IN2	14	72 MHz FM-IF input 2
TSDR	15	time constant for SDR
TSDS	16	time constant for SDS
V <sub>SDS</sub>	17	SDS control voltage input
V <sub>SDR</sub>	18	SDR control voltage input
FMIF2OUT1	19	FM mixer output 1
FMIF2OUT2	20	FM mixer output 2
V <sub>ref</sub>	21	reference voltage output
AMIF2OUT1	22	AM mixer output 1
AMIF2OUT2	23	AM mixer output 2
FMAMDEC	24	FM/AM 10.7 MHz decoupling
PHASEDET	25	phase detector output
PILDET	26	pilot detector output
FMAM10.7	27	FM/AM 10.7 MHz input
V <sub>DDA2</sub>	28	analog supply voltage 2

SYMBOL	PIN	DESCRIPTION
FMIFAMP0UT	29	FM-IF amplifier output
AFGND	30	AF ground
DEEMPHR	31	de-emphasis capacitor right
DEEMPHL	32	de-emphasis capacitor left
AMIF2IN1	33	AM-IF <sub>2</sub> input 1
AMIF2IN2	34	AM-IF <sub>2</sub> input 2
FMIN2	35	FM limiter input
DCFEED	36	DC feed FM limiter
FMIN1	37	FM limiter input
LEVELADJ	38	level adjustment input
C <sub>AFC</sub>	39	AFC capacitor
MPBUF	40	multi-path buffer time constant
OUTLEFT	41	AF output left
FMSTOP	42	FMSTOP adjustment input
RDS/AMSTOP	43	MPX for RDS/AMSTOP adjustment input
OUTRIGHT	44	AF output right
MPXIN	45	stereo decoder MPX input
i.c.	46	internally connected
MPXOUT	47	FM demodulator MPX output
AMAFOUT	48	AM demodulator AF output
V <sub>mute/AML</sub>	49	mute voltage/AM level
LEVELUNWEIG	50	unweighted level output
IAC <sub>CONTR</sub>	51	IAC control voltage
V <sub>DDD</sub>	52	digital supply voltage
SDA	53	serial data input/output; pull-up to +5 V
SCL	54	serial clock input; pull-up to +5 V
DGND	55	digital ground
V <sub>DDA3</sub>	56	analog supply voltage 3 (+8.5 V)

In Car Entertainment (ICE) car radio

TEA6820T; TEA6822T

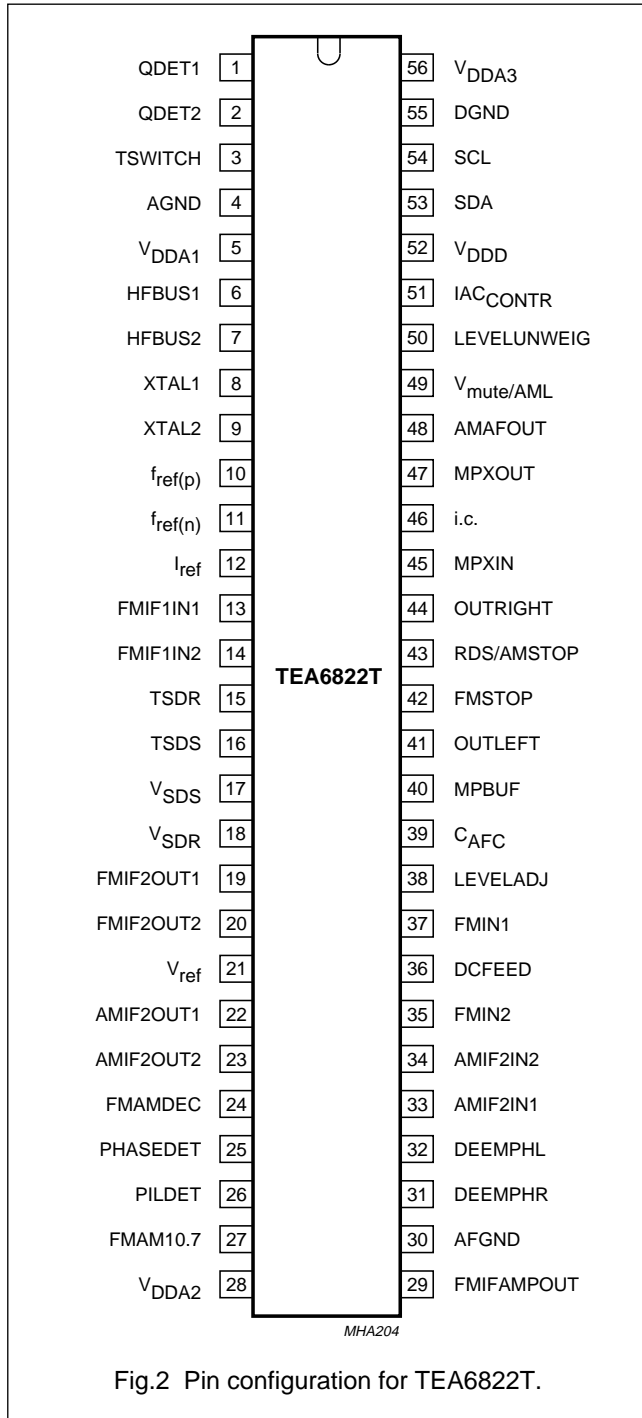


Fig.2 Pin configuration for TEA6822T.

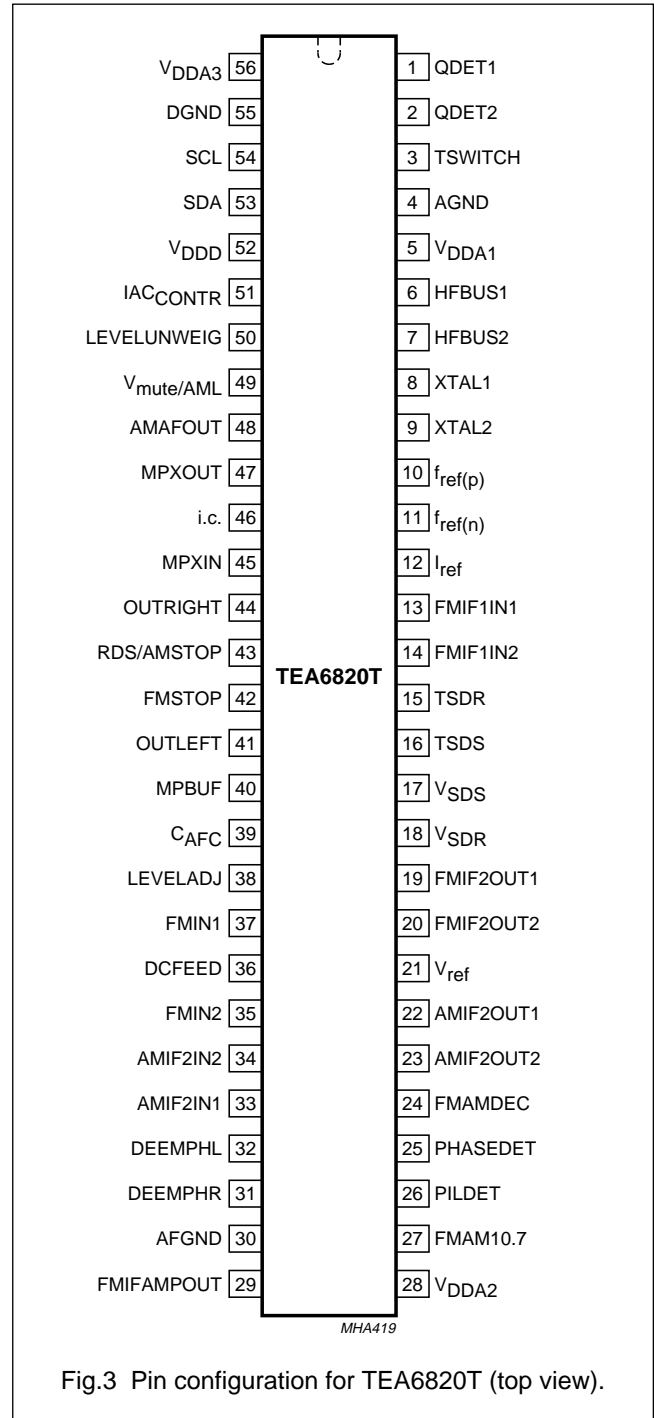


Fig.3 Pin configuration for TEA6820T (top view).

**FUNCTIONAL DESCRIPTION**

**Stereo decoder**

By changing the value of the input resistor at pin 12 the MPX input can be adapted to the level of the FM demodulator output (see Fig.16).

A 3rd order low-pass filter ( $f_g = 90$  kHz) at the MPX input provides an extra 190 kHz ACI suppression.

An interference gate is connected at the MPX demodulator outputs. For AM the VCO is switched off.

## In Car Entertainment (ICE) car radio

## TEA6820T; TEA6822T

**LIMITING VALUES**

In accordance with the Absolute Maximum Rating System (IEC 134).

SYMBOL	PARAMETER	CONDITIONS	MIN.	MAX.	UNIT
V <sub>DDA1</sub>	analog supply voltage 1 (pin 5)		-0.3	+6.5	V
V <sub>DDA2</sub>	analog supply voltage 2 (pin 28)		-0.3	+12	V
V <sub>DDA3</sub>	analog supply voltage 3 (pin 56)		-0.3	+12	V
V <sub>DDD</sub>	digital supply voltage (pin 52)		-0.3	+6.5	V
T <sub>stg</sub>	storage temperature		-55	+150	°C
T <sub>amb</sub>	operating ambient temperature		-40	+85	°C
V <sub>es</sub>	electrostatic handling	note 1			
	pins 8 and 9		-100	+100	V
	all other pins		-300	+300	V

**Note**

- Charge device model class B: equivalent to discharging a 200 pF capacitor via a 0 Ω series resistor.

**CHARACTERISTICS**

V<sub>56-4</sub> = V<sub>28-4</sub> = 8.5 V; V<sub>5-4</sub> = V<sub>52-55</sub> = 5 V; T<sub>amb</sub> = 25 °C; f<sub>mod</sub> = 1 kHz; deviation = 22.5 kHz; R<sub>g</sub> = 50 Ω; V<sub>37-35</sub> = 10 mV; with de-emphasis = 50 μs; coil quality = 15; unless otherwise specified.

SYMBOL	PARAMETER	CONDITIONS	MIN.	TYP.	MAX.	UNIT
<b>Current consumption</b>						
I <sub>DDA1</sub>	analog supply current 1 (pin 5)	FM mode	17	21	25	mA
		AM mode	14	17	21	mA
I <sub>DDA2</sub>	analog supply current 2 (pin 28)	FM mode	2.4	3.0	3.6	mA
I <sub>DDA3</sub>	analog supply current 3 (pin 56)	FM mode	19	24	28	mA
		AM mode	9.5	12	15	mA
I <sub>DDD</sub>	digital supply current (pin 52)		8	10	12	mA
I <sub>19</sub> + I <sub>20</sub>	total FM mixer output current		4.8	6.0	7.2	mA
I <sub>22</sub> + I <sub>23</sub>	total AM mixer output current	AM mode	10	12	14	mA
<b>FM-IF path; see Fig.4</b>						
V <sub>19-20 max(p-p)</sub>	maximum output voltage (peak-to-peak value)		12.0	14.0	–	V
I <sub>19</sub> ; I <sub>20</sub>	mixer bias current		2.4	3.0	3.6	mA
	mixer leakage current	in AM position	–	–	2	μA
I <sub>19IF2</sub> /V <sub>13-14IF1</sub>	conversion gain		1.65	1.9	2.2	mS
R <sub>i</sub>	input resistance (pins 13 to 14)		5	7	–	kΩ
C <sub>i</sub>	input capacitance (pins 13 to 14)		–	3	4.5	pF
R <sub>opt</sub>	optimum generator resistance		–	1.2	–	kΩ
R <sub>o</sub>	output resistance (pins 19 to 20)		15	20	–	kΩ
C <sub>o</sub>	output capacitance (pins 19 to 4 and pins 20 to 4)		–	12	14	pF
IP3	third order intermodulation		114	124	–	dBμV

## In Car Entertainment (ICE) car radio

## TEA6820T; TEA6822T

SYMBOL	PARAMETER	CONDITIONS	MIN.	TYP.	MAX.	UNIT
<b>Oscillator</b>						
$f_{osc}$	oscillator frequency		–	61.5	–	MHz
$\Delta f_{osc}$	oscillator frequency spread		–	–	250	Hz
$\Delta f_{osc}/\Delta T$	temperature dependence of oscillator frequency	crystal type PHILIPS 9922 521 00098	–	$30 \times 10^{-6}$	–	K <sup>-1</sup>
$R_1$	crystal motional resistance		–	–	70	$\Omega$
$C_0$	crystal shunt capacitance		–	–	5	pF
<b>FM-IF<sub>2</sub> amplifier</b>						
$V_{27-24 \max(rms)}$	maximum input voltage for 1 dB compression point (RMS value)		80	110	–	mV
$V_{29-4 \max(rms)}$	maximum output voltage (RMS value)		220	320	–	mV
$V_{29-4}/V_{27-24}$	amplifier gain	loaded with 330 $\Omega$ ; see Fig.5	9	12	15	dB
$\Delta V_{29-4}/V_{27-24}$	gain temperature dependence	$-25\text{ }^\circ\text{C} < T_{amb} < +50\text{ }^\circ\text{C}$	–	0.1	–	dB/K
		$+50\text{ }^\circ\text{C} < T_{amb} < +75\text{ }^\circ\text{C}$	0	–	–	dB/K
$R_i$	input resistance (pins 27 to 24)		300	330	360	$\Omega$
$C_i$	input capacitance (pins 27 to 4)		–	–	5	pF
$R_o$	output resistance (pin 29)		300	330	360	$\Omega$
$C_o$	output capacitance (pins 29 to 4)		–	–	5	pF
<b>FM-IF<sub>2</sub> limiter</b>						
$V_o 1-2(p-p)$	limiter output voltage (peak-to-peak value)		500	700	–	mV
$V_{1-2}/V_{37-35}$	limiter gain	see Fig.6	–	80	–	dB
$C_i$	input capacitance (pins 37 to 4)		–	–	5	pF
$R_o$	output resistance (pins 1 to 2)		–	–	1.0	k $\Omega$
$C_o$	output capacitance (pins 1 to 2)		10	15	20	pF



## In Car Entertainment (ICE) car radio

## TEA6820T; TEA6822T

SYMBOL	PARAMETER	CONDITIONS	MIN.	TYP.	MAX.	UNIT
<b>FM demodulator</b>						
$V_{47-4(rms)}$	MPX output voltage (RMS value)		160	200	240	mV
$V_{43-4(rms)}$	MPX output voltage for RDS (RMS value)		160	200	240	mV
$V_{37-35(rms)}$	start of limiting voltage (RMS value)	$\alpha_{AF} = -3$ dB	–	25	40	$\mu$ V
$V_{37-35(rms)}$	input voltage for signal plus noise-to-noise ratio (RMS value)	see Fig.7 for pin 47 (MPXOUT) and Fig.8 for pin 43 (RDS/AMSTOP)  $\frac{S+N}{N} = 26$ dB  $\frac{S+N}{N} = 46$ dB	–	30	45	$\mu$ V
			–	70	100	$\mu$ V
$\Delta V_{43DC}$	residual DC-offset voltage	$\Delta L_{demod} =$ typical value $10 \mu\text{V} < V_{37-35} < 80 \mu\text{V}$ $80 \mu\text{V} < V_{37-35} < 800 \text{mV}$	–	100	1000	mV
			–	10	30	mV
$V_{43FM}/V_{43AM}$	AM suppression	$\Delta f = 22.5$ kHz; $f_{modAM} = 1$ kHz; $m_{AM} = 30\%$ ; $V_{37-35} = 3$ to 300 mV	50	60	–	dB
$V_{47FM}/V_{47AM}$	AM suppression	$V_{37-35} = 1$ to 300 mV	50	60	–	dB
$\Delta V_{43-44AFCdis} / \Delta V_{43-44AFCactive}$	demodulator frequency control voltage (AFC) efficiency at 100 kHz detune from exact tuning		28	32	–	dB
$R_o$	output resistance (pin 47)		–	–	3	k $\Omega$
	output resistance (pin 43)		–	–	1.5	k $\Omega$
	AF bandwidth (pin 43)		200	–	–	kHz
$\frac{S+N}{N}$	signal plus noise-to-noise ratio		66	75	–	dB
THD	total harmonic distortion	detuning $\leq 50$ kHz; $\Delta f = 75$ kHz; $f_{mod} = 1$ kHz without de-emphasis; $L_{demod} =$ typical value pin 43; $V_{37-35} = 300 \mu\text{V}$ to 800 mV  pin 47; $V_{37-35} = 1$ to 800 mV	–	0.1	0.35	%
			–	0.1	0.35	%

## In Car Entertainment (ICE) car radio

## TEA6820T; TEA6822T

SYMBOL	PARAMETER	CONDITIONS	MIN.	TYP.	MAX.	UNIT
<b>Unweighted voltage level</b>						
$V_{50-4}$	unweighted voltage level	see Fig.9; $V_{38} = 2.52 \text{ V}$ $V_{37-35} \leq 2.5 \mu\text{V}$ $V_{37-35} = 1.0 \text{ mV}$	1.6 2.7	2.2 3.4	3.0 4.7	V V
$\Delta V_{50-4}/\Delta V_{37-35}$	slope of unweighted voltage level	$100 \mu\text{V (RMS)} \leq V_{37-35} < 300 \text{ mV}$ temperature compensation <b>off</b> temperature compensation <b>on</b>	0.75 0.6	0.9 0.75	1.05 0.9	V/20 dB V/20 dB
$\Delta V_{50-4}/\text{VK}$	temperature dependence	$V_{37-35} = 1 \text{ mV}$ temperature compensation <b>off</b> temperature compensation <b>on</b>	– –	5.0 2.0	– –	mV/VK mV/VK
$I_{50(\text{max})\text{source}}$	maximum output source current		0.3	–	–	mA
$I_{50(\text{max})\text{sink}}$	maximum output sink current		–50	–	–	$\mu\text{A}$
$R_{o50}$	output resistance		–	–	300	$\Omega$
ADJUSTMENT OF UNWEIGHTED VOLTAGE LEVEL AND $V_{\text{mute/AML}}$ ; note 1						
$\Delta V_{50}$	adjusting range voltage	$V_{37-35} = 10 \text{ mV (RMS)}$	–1.8	–	+1.8	V
$V_{38-4}$	internal bias voltage		–	2.6	–	V
$\Delta V_{50-4}/\Delta V_{38-4}$	adjusting gain		–	–0.9	–	–
$R_{i38}$	input resistance		–	80	–	k $\Omega$
MUTING DEPENDENCE ON ADJUST OF LEVEL UNWEIGHTED VOLTAGE; note 2						
$\alpha = V_{43}/V_{47}$	start of mute	$V_{49}/V_{21} = 0.625$	1	3	7	dB
$\Delta\alpha/\Delta V_{49}$	mute slope	$\alpha = -6 \text{ dB}$	–	25	–	dB/V
<b>Soft mute, time constant control, mono/stereo blend and high-cut control; see Fig.22</b>						
MUTE VOLTAGE; note 3						
$V_{49-4}$	mute voltage	$V_{38} = 2.52 \text{ V}$ $V_{37-35} < 2.5 \mu\text{V}$ $V_{37-35} = 1.0 \text{ mV}$	1.8 2.7	2.2 3.4	3.2 4.7	V V
$\Delta V_{49-4}/\Delta V_{37-35}$	slope of mute voltage	$100 \mu\text{V (RMS)} \leq V_{37-35} < 300 \text{ mV}$	0.75	0.9	1.05	V/20 dB
$\Delta V_{49-4}/\text{VK}$	temperature dependence	$V_{37-35} = 1 \text{ mV}$	–	5.0	–	mV/VK

## In Car Entertainment (ICE) car radio

## TEA6820T; TEA6822T

SYMBOL	PARAMETER	CONDITIONS	MIN.	TYP.	MAX.	UNIT
ATTACK AND DECAY TIME FOR MUTE VOLTAGE						
I <sub>49</sub>	charge current	pin 3 connected to GND	–	3.5	–	μA
	discharge current	pin 3 connected to GND	–	–4.0	–	μA
	charge current	pin 3 connected to pin 5	–	150	–	μA
	discharge current	pin 3 connected to pin 5	–	–170	–	μA
Δf	muting activated by 60 kHz FM interference	V <sub>49</sub> < 3 V; V <sub>37-35</sub> = 3 mV; f <sub>mod</sub> = 60 kHz pin 3 connected to GND; V <sub>43</sub> /V <sub>47</sub> = 9 dB	–	40	–	kHz
		pin 3 connected to pin 5; V <sub>43</sub> /V <sub>47</sub> = 6 dB	–	40	–	kHz
V <sub>43</sub> /V <sub>47</sub>	maximum mute depth by 60 kHz FM interference	pin 3 connected to GND	–	15	–	dB
		pin 3 connected to pin 5	–	10	–	dB
TIME CONSTANT FOR MONO/STEREO BLEND VOLTAGE; note 4						
I <sub>16</sub>	charge current	V <sub>37-35</sub> = 3 mV; pin 3 connected to GND	–	0.6	–	μA
	discharge current	V <sub>37-35</sub> = 3 mV; pin 3 connected to GND	–	–17	–	μA
	charge current	V <sub>37-35</sub> = 3 mV; pin 3 connected to pin 5	–	23	–	μA
	discharge current	V <sub>37-35</sub> = 3 mV; pin 3 connected to pin 5	–	–750	–	μA
m	mono/stereo blend activated by 20 kHz AM interference	V <sub>16</sub> < 2 V; V <sub>37-35</sub> = 3 mV; R <sub>L16</sub> > 50 MΩ; f <sub>mod</sub> = 20 kHz; data byte 2 bit 5 = 0				
		pin 3 connected to GND	–	45	–	%
		pin 3 connected to pin 5	–	45	–	%
		data byte 2 bit 5 = 1				
		pin 3 connected to GND	–	55	–	%
		pin 3 connected to pin 5	–	55	–	%
Δf	mono/stereo blend activated by 60 kHz FM interference	V <sub>16</sub> < 2 V; V <sub>37-35</sub> = 3 mV; R <sub>L16</sub> > 50 MΩ; f <sub>mod</sub> = 60 kHz				
		pin 3 connected to GND	–	50	–	kHz
		pin 3 connected to pin 5	–	50	–	kHz

## In Car Entertainment (ICE) car radio

## TEA6820T; TEA6822T

SYMBOL	PARAMETER	CONDITIONS	MIN.	TYP.	MAX.	UNIT
TIME CONSTANT FOR HIGH-CUT CONTROL VOLTAGE SDR; note 5						
I <sub>15</sub>	charge current	V <sub>37-35</sub> = 3 mV; pin 3 connected to GND	–	0.6	–	μA
	discharge current	V <sub>37-35</sub> = 3 mV; pin 3 connected to GND	–	–0.7	–	μA
	charge current	V <sub>37-35</sub> = 3 mV; pin 3 connected to pin 5	–	41	–	μA
	discharge current	V <sub>37-35</sub> = 3 mV; pin 3 connected to pin 5	–	–44	–	μA
m	high-cut control activated by 20 kHz AM interference	V <sub>15</sub> < 2 V; V <sub>37-35</sub> = 3 mV; R <sub>L15</sub> > 50 MΩ; f <sub>mod</sub> = 20 kHz pin 3 connected to GND	–	45	–	%
		pin 3 connected to pin 5	–	45	–	%
Δf	high-cut control activated by 60 kHz FM interference	V <sub>15</sub> < 2 V; V <sub>37-35</sub> = 3 mV; R <sub>L15</sub> > 50 MΩ; f <sub>mod</sub> = 60 kHz pin 3 connected to GND	–	50	–	kHz
		pin 3 connected to pin 5	–	50	–	kHz
MULTI-PATH DETECTOR						
f <sub>MP</sub>	multi-path detector band-pass centre frequency		–	20	–	kHz
B <sub>MP</sub>	band-pass bandwidth		7.0	–	–	kHz
<b>Reference voltage</b>						
V <sub>21-4</sub>	output voltage	I <sub>21</sub> = –1 mA	4.5	5.1	5.7	V
ΔV <sub>21-4</sub>	temperature dependence		–	3.3	–	mV/VK
I <sub>21</sub>	output current		–	–	1	mA
<b>AM-IF path; see Fig.14 and notes 6 and 7</b>						
V <sub>22-23 max(p-p)</sub>	maximum output voltage (peak-to-peak value)		12	15	–	V
I <sub>22</sub> , I <sub>23</sub>	mixer bias current		5.0	6.0	7.0	mA
	mixer leakage current	in FM position	–	–	2	μA
I <sub>22IF2</sub> /I <sub>27-24IF1</sub>	conversion gain		2.2	2.7	3.4	mS
R <sub>27-24</sub>	input resistance		300	330	360	Ω
C <sub>27-24</sub>	input capacitance		–	5	8	pF
R <sub>22-23</sub>	output resistance		10.0	20.0	–	kΩ
C <sub>22-23</sub>	output capacitance		–	5	10	pF
IP3	third order intermodulation		–	137	–	dBμV

## In Car Entertainment (ICE) car radio

## TEA6820T; TEA6822T

SYMBOL	PARAMETER	CONDITIONS	MIN.	TYP.	MAX.	UNIT
AM DETECTOR; notes 8 and 9						
$V_{48-4(rms)}$	AF output level (RMS value)	$R_{L48} > 500 \text{ k}\Omega$ ; $100 \mu\text{V} \leq V_{33-34} \leq 300 \text{ mV}$	190	240	290	mV
$V_{33-34(rms)}$	sensitivity voltage (RMS value)	$\frac{S+N}{N} = 26 \text{ dB}$	–	50	75	$\mu\text{V}$
		$\frac{S+N}{N} = 46 \text{ dB}$	–	200	400	$\mu\text{V}$
	AM-IF <sub>2</sub> minimum input voltage (RMS value)	THD $\leq$ 5%; m = 0.8	–	–	100	$\mu\text{V}$
	AM-IF <sub>2</sub> maximum input voltage (RMS value)	THD $\leq$ 5%; m = 0.8	800	–	–	mV
$R_{33-34}$	IF <sub>2</sub> input resistance		1.8	2.0	2.2	k $\Omega$
$C_{24-23}$	IF <sub>2</sub> input capacitance		–	10	15	pF
$R_{o48}$	output resistance		27	33	39	k $\Omega$
$C_{o48}$	output capacitance		–	–	10	pF
$\frac{S+N}{N}$	signal plus noise-to-noise ratio		54	60	–	dB
THD	total harmonic distortion	m = 0.8; $300 \mu\text{V} \leq V_{33-34} \leq 200 \text{ mV}$	–	1.5	3.0	%

**Notes to the characteristics**

- For typical adjusting range see Figs 10 and 13.
- For typical curve see Fig.11.
- The static mute voltage follows the unweighted voltage level as function of FM-IF<sub>2</sub> voltage and level adjustment voltage  $V_{38-4}$ . It additionally depends on multi-path level, noise (adjacent channel interferences) and the position of TSWITCH (pin 3). For typical curve for mute voltage dependence see Fig.12.
- The mono/stereo blend voltage is generated as a function of FM-IF<sub>2</sub> voltage, multi-path level, noise and position of TSWITCH.
- The high-cut control voltage is generated as a function of FM-IF<sub>2</sub> voltage, multi-path level, noise and position of TSWITCH.
- $f_{IF1} = 10.7 \text{ MHz}$ ;  $f_{IF2} = 450 \text{ kHz}$  for AM mixer.
- The AM oscillator signal is generated by division of the 61.5 MHz crystal oscillator. Two divider ratios programmable by the I<sup>2</sup>C-bus: divide by 6 (AM-IF<sub>1</sub> = 10.7 MHz); divide by 2 (AM-IF<sub>1</sub> = 30 MHz).
- For typical AM level curve see Fig.15.
- For AM detector;  $f_{AMIF2} = 450 \text{ kHz}$ ;  $f_{mod} = 400 \text{ Hz}$ ; m = 30%.

## In Car Entertainment (ICE) car radio

## TEA6820T; TEA6822T

**STEREO DECODER CHARACTERISTICS**

Input signal ( $\Delta f = 75$  kHz)  $V_{MPX(p-p)} = 1.7$  V; modulation frequency  $f_{mod} = 1$  kHz; de-emphasis time constant  $t = 50$   $\mu$ s; nominal input resistor (pin 45)  $R_i = 168$  k $\Omega$ ;  $T_{amb} = 25$   $^{\circ}$ C; unless otherwise specified.

SYMBOL	PARAMETER	CONDITIONS	MIN.	TYP.	MAX.	UNIT
$V_{44-4(rms)}$ ; $V_{41-4(rms)}$	AF output voltage (RMS value)		800	900	1000	mV
$V_{44-4}$ ; $V_{41-4}$	DC output voltage		3.1	3.6	4.1	V
$I_{44(max)}$ ; $I_{41(max)}$	maximum output current		150	–	–	$\mu$ A
$V_{44-4}/V_{41-4}$	difference of output voltage		–1	–	+1	dB
$R_{o44}$ ; $R_{o41}$	output resistor		–	–	600	$\Omega$
$R_{Lmin}$	minimum load resistor		12	–	–	k $\Omega$
$\alpha_{cs}$	channel separation (adjusted)		40	–	–	dB
$\frac{S + N}{N}$	signal plus noise-to-noise ratio	$f = 20$ Hz to 15 kHz	74	80	–	dB
THD	total harmonic distortion		–	0.1	0.3	%
	MPX input overdrive margin	THD = 1%	4	–	–	dB
<b>Carrier and harmonic suppression at the output; note 1</b>						
$\alpha_{19}$	pilot signal	$f = 19$ kHz	–	50	–	dB
$\alpha_{38}$	subcarrier	$f = 38$ kHz	–	50	–	dB
$\alpha_{57}$		$f = 57$ kHz	–	50	–	dB
$\alpha_{76}$		$f = 76$ kHz	–	60	–	dB
$\alpha_2$		intermodulation	$f_{mod} = 10$ kHz; $f_{spur} = 1$ kHz	–	60	–
$\alpha_3$	$f_{mod} = 13$ kHz; $f_{spur} = 1$ kHz		–	58	–	dB
$\alpha_{57}$	traffic radio (ARI)	$f = 57$ kHz	–	70	–	dB
$\alpha_{67}$	subsidiary communications authorization	$f = 67$ kHz	70	–	–	dB
$\alpha_{114}$	adjacent channel frequency	$f = 114$ kHz	–	80	–	dB
$\alpha_{190}$		$f = 190$ kHz	–	70	–	dB
RR	ripple rejection at output	$f_r = 100$ Hz; $V_r = 100$ mV <sub>eff</sub>	–	30	–	dB
<b>Mono/stereo control</b>						
$V_{i(pil)}$	pilot threshold voltage	stereo on	–	24	30	mV
		mono on	8	20	–	mV
$\Delta V_{i(pil)}$	switch hysteresis $V_{i on}/V_{i off}$		–	2	–	dB
<b>External mono/stereo control; note 2</b>						
$V_{17} - 0.765V_{21}$	control voltage channel separation	see Fig.17				
		$\alpha = 6$ dB	–	–110	–	mV
		$\alpha = 16$ dB	–	–40	–	mV

## In Car Entertainment (ICE) car radio

## TEA6820T; TEA6822T

SYMBOL	PARAMETER	CONDITIONS	MIN.	TYP.	MAX.	UNIT
<b>Muting functions (mute via I<sup>2</sup>C-bus)</b>						
$\Delta V_{44}, \Delta V_{41}$	DC offset voltage	tune mute	-50	-	+50	mV
		radio mute (in combination with tune mute)	-400	-	+400	mV
$\alpha_{\text{mute}}$	tune mute		60	-	-	dB
	radio mute (in combination with tune mute)		80	-	-	dB
<b>High-cut control; see Fig.18</b>						
$V_{18} - 0.765V_{21}$	control voltage	note 3				
		$t_{\text{de-emph}} = 50 \mu\text{s}$ $t_{\text{de-emph}} = 80 \mu\text{s}$	0 -300	- -	- -	mV mV
$t_{\text{de-emph}}$	control range of de-emphasis		50	-	80	$\mu\text{s}$
<b>Voltage controlled oscillator; note 4</b>						
$f_{\text{osc}}$	oscillator frequency range		225	228	231	kHz
<b>Noise blanker</b>						
INTERFERENCE DETECTION FULLY INTERNAL FROM LEVEL DETECTOR						
$t_{\text{sup}}$	interference suppression time		40	50	-	$\mu\text{s}$
TRIGGER THRESHOLD CONTROL						
$I_{51 \text{ charge}}$	charge current (into +4 V)		-	45	-	$\mu\text{A}$
$I_{51 \text{ discharge}}$	discharge current (from +8.5 V)		-	-900	-	$\mu\text{A}$
TRIGGER SENSITIVITY MEASUREMENT WITH PULSED MODULATION OF FM-IF <sub>2</sub> ; see Figs 19 and 20						
$V_{37-35(p)}$	trigger sensitivity for test signal 1 (peak value)	$V_{38} = 2.52 \text{ V}$ ; note 5	-	-	0.8	mV
		$V_{38} = 2.52 \text{ V}$ ; note 6	100	-	-	mV
	trigger sensitivity for test signal 2 (peak value)	$V_{38} = 2.52 \text{ V}$ ; note 6	5.0	-	-	mV
		$V_{38} = 2.52 \text{ V}$ ; note 6	100	-	-	mV
$V_{51}$	trigger threshold variation with frequency modulation of FM-IF <sub>2</sub> and $f_{\text{mod}} = 15 \text{ kHz}$ (pin 51)	$V_{37-35} = 100 \text{ mV}$ ; $\Delta f = 0 \text{ kHz}$	-	6.4	-	V
$\Delta V_{51}$		$V_{37-35} = 100 \text{ mV}$ ; $\Delta f = 75 \text{ kHz}$	-	520	-	mV
$I_{\text{offset}}$	gate input offset current at pins 31 and 32 during suppression pulse duration		-	20	50	nA

## In Car Entertainment (ICE) car radio

## TEA6820T; TEA6822T

**Notes to the stereo decoder characteristics**

1. The following equations give the values for the carrier and harmonic suppression at the output:

$$\alpha_{2^7} = \frac{V_0(\text{signal}) (\text{at } 1 \text{ kHz})}{V_0(\text{spurious}) (\text{at } 1 \text{ kHz})} f_s = (2 \times 10 \text{ kHz}) - 19 \text{ kHz}$$

$$\alpha_{3^7} = \frac{V_0(\text{signal}) (\text{at } 1 \text{ kHz})}{V_0(\text{spurious}) (\text{at } 1 \text{ kHz})} f_s = (3 \times 13 \text{ kHz}) - 38 \text{ kHz}$$

$$\alpha_{57} (\text{ARI}) = \frac{V_0(\text{signal}) (\text{at } 1 \text{ kHz})}{V_0(\text{spurious}) (\text{at } 1 \text{ kHz} \pm 23 \text{ Hz})}$$

$$\alpha_{67} = \frac{V_0(\text{signal}) (\text{at } 1 \text{ kHz})}{V_0(\text{spurious}) (\text{at } 9 \text{ kHz})} f_s = (2 \times 38 \text{ kHz}) - 67 \text{ kHz}$$

$$\alpha_{114} = \frac{V_0(\text{signal}) (\text{at } 1 \text{ kHz})}{V_0(\text{spurious}) (\text{at } 4 \text{ kHz})} f_s = 110 \text{ kHz} - (3 \times 38 \text{ kHz})$$

$$\alpha_{190} = \frac{V_0(\text{signal}) (\text{at } 1 \text{ kHz})}{V_0(\text{spurious}) (\text{at } 4 \text{ kHz})} f_s = 186 \text{ kHz} - (5 \times 38 \text{ kHz})$$

2. The stereo decoder can be set to mono via the I<sup>2</sup>C-bus. Pilot presence indication via the I<sup>2</sup>C-bus.
3. The nominal de-emphasis value can be changed to 75  $\mu$ s with C<sub>31</sub>; C<sub>32</sub> = 10 nF.
4. The VCO is adjusted by means of a digital auxiliary PLL.
5. Noise blanker does not trigger.
6. Noise blanker triggers.



## In Car Entertainment (ICE) car radio

## TEA6820T; TEA6822T

**CHARACTERISTICS FOR ANALOG-TO-DIGITAL CONVERTERS (ADCs) FOR LEVEL AND MULTI-PATH VOLTAGES**

SYMBOL	PARAMETER	CONDITIONS	MIN.	TYP.	MAX.	UNIT
<b>ADC for FM level information; note 1</b>						
$\Delta V_{37-35}$	analog-to-digital conversion step size		2	4	8	dB/step
$\Delta V_{37-35}$	analog-to-digital conversion level range		43	56	69	dB
<b>FM STOP</b>						
$\Delta V_{\text{stop}}$	variation of stop level as function of $V_{42-4}$		–	16	–	dB/V
<b>ADC for AM level information; note 2</b>						
$\Delta V_{33-34}$	analog-to-digital conversion step size		2	4	8	dB/step
$\Delta V_{33-34}$	analog-to-digital conversion level range		43	56	69	dB
<b>AM STOP</b>						
$\Delta V_{\text{stop}}$	variation of stop level as function of $V_{43-4}$		–	16	–	dB/V
<b>ADC for multi-path information; note 3</b>						
m	multi-path conversion	step 0	–	–	5	%
		step 1	–	15	–	%
		step 2	–	22	–	%
		step 3	–	28	–	%
		step 4	–	34	–	%
		step 5	–	40	–	%
		step 6	–	46	–	%
		step 7	–	52	60	%

**Notes**

1. The FM level information  $V_{50-3}$  is analog-to-digital converted with 4 bits.
2. The AM level information  $V_{49-4}$  is analog-to-digital converted with 4 bits.
3. The multi-path information  $V_{40-4}$  is analog-to-digital converted with 3 bits covering an  $IF_2$  amplitude modulation range  $m \leq 0.6$ ;  $f_{\text{mod}} = 20$  kHz.

In Car Entertainment (ICE) car radio

TEA6820T; TEA6822T

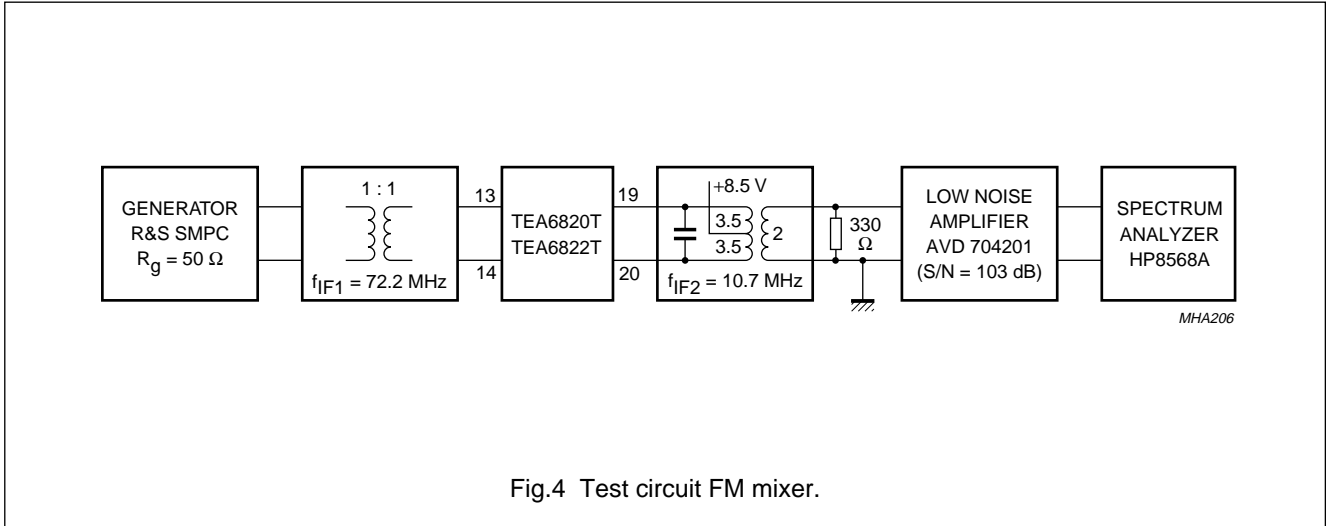


Fig.4 Test circuit FM mixer.

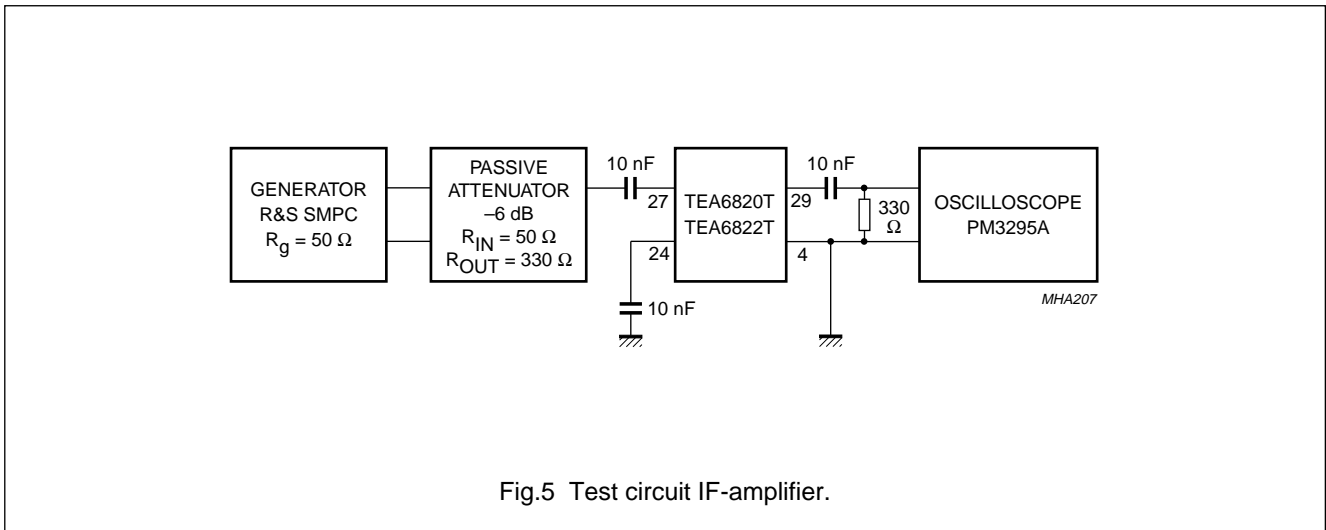


Fig.5 Test circuit IF-amplifier.

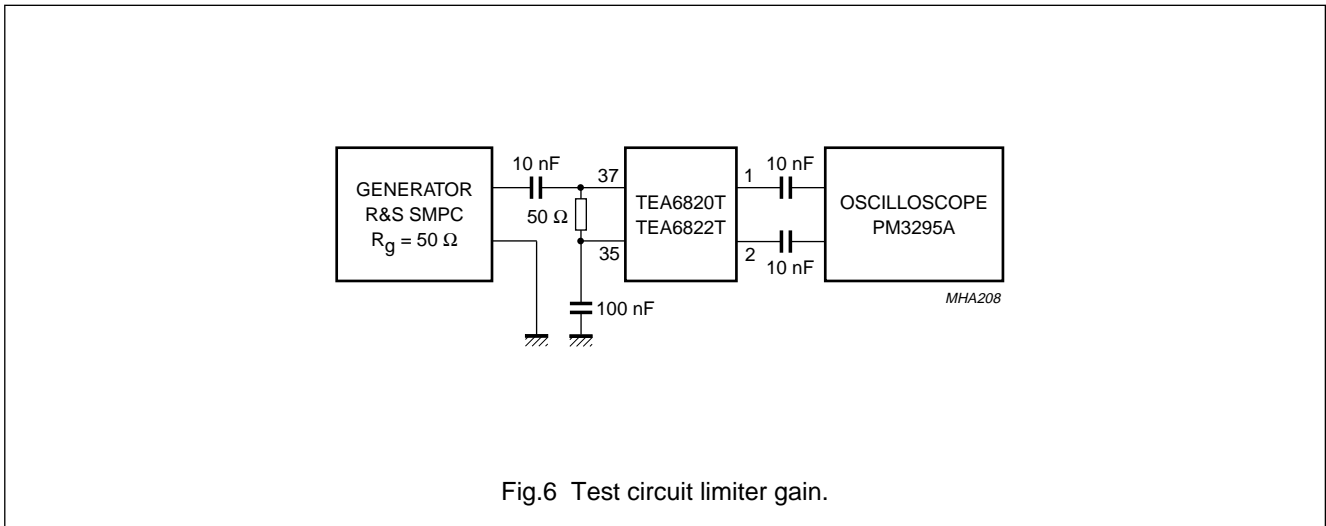
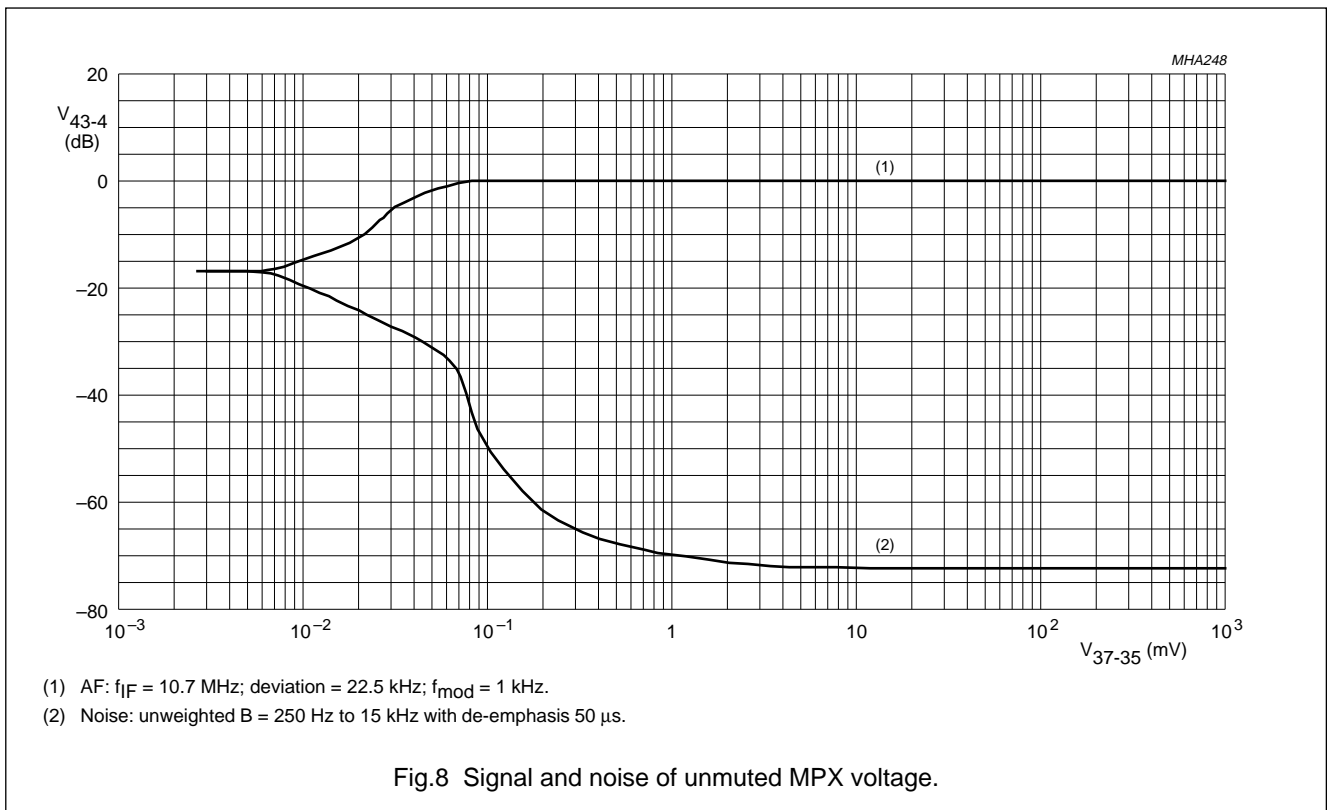
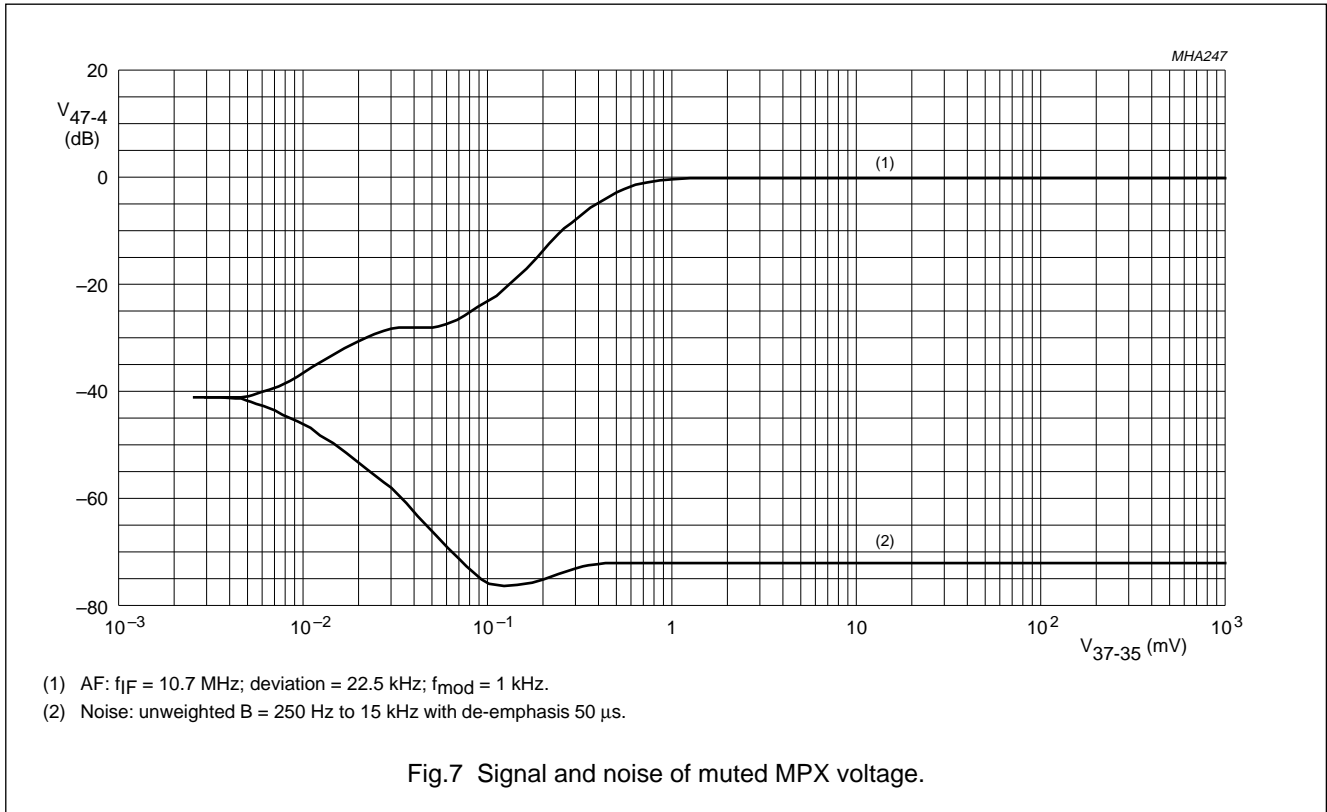


Fig.6 Test circuit limiter gain.

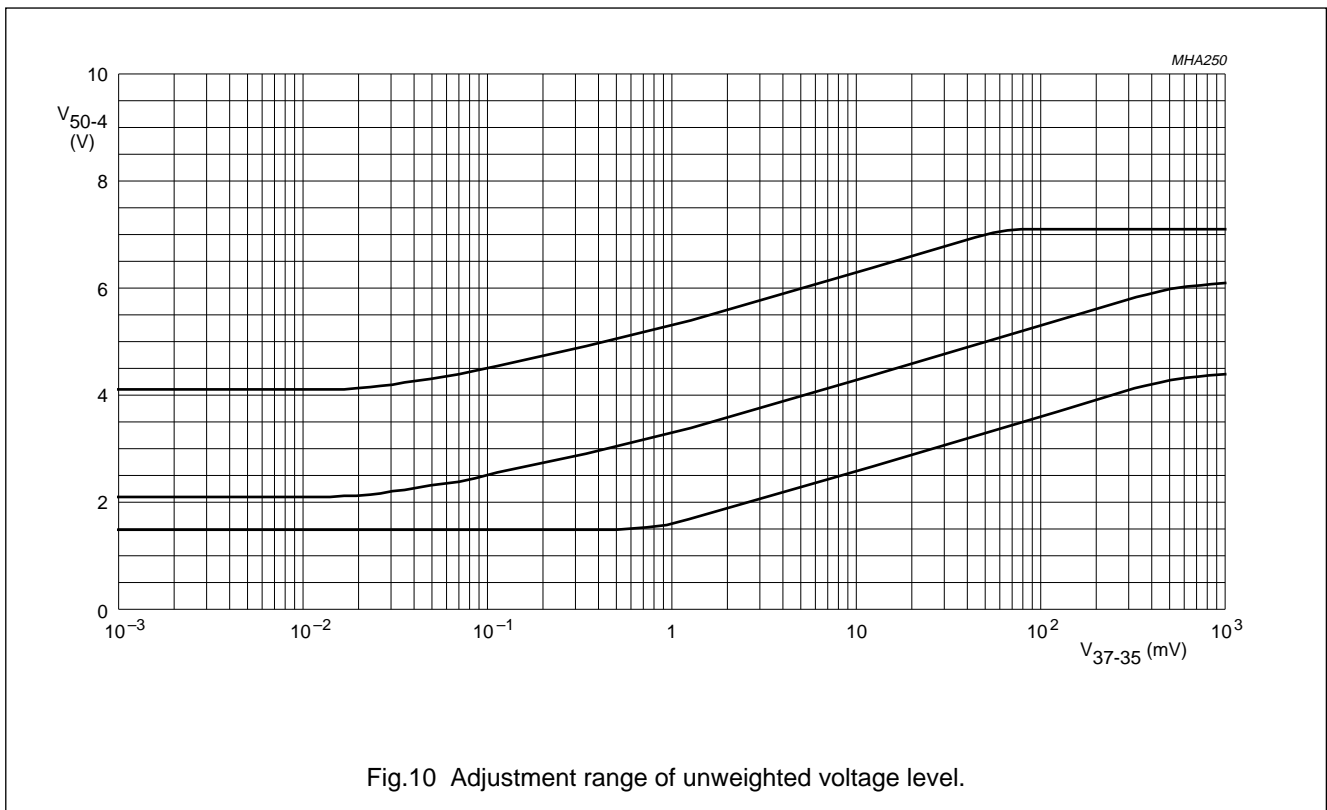
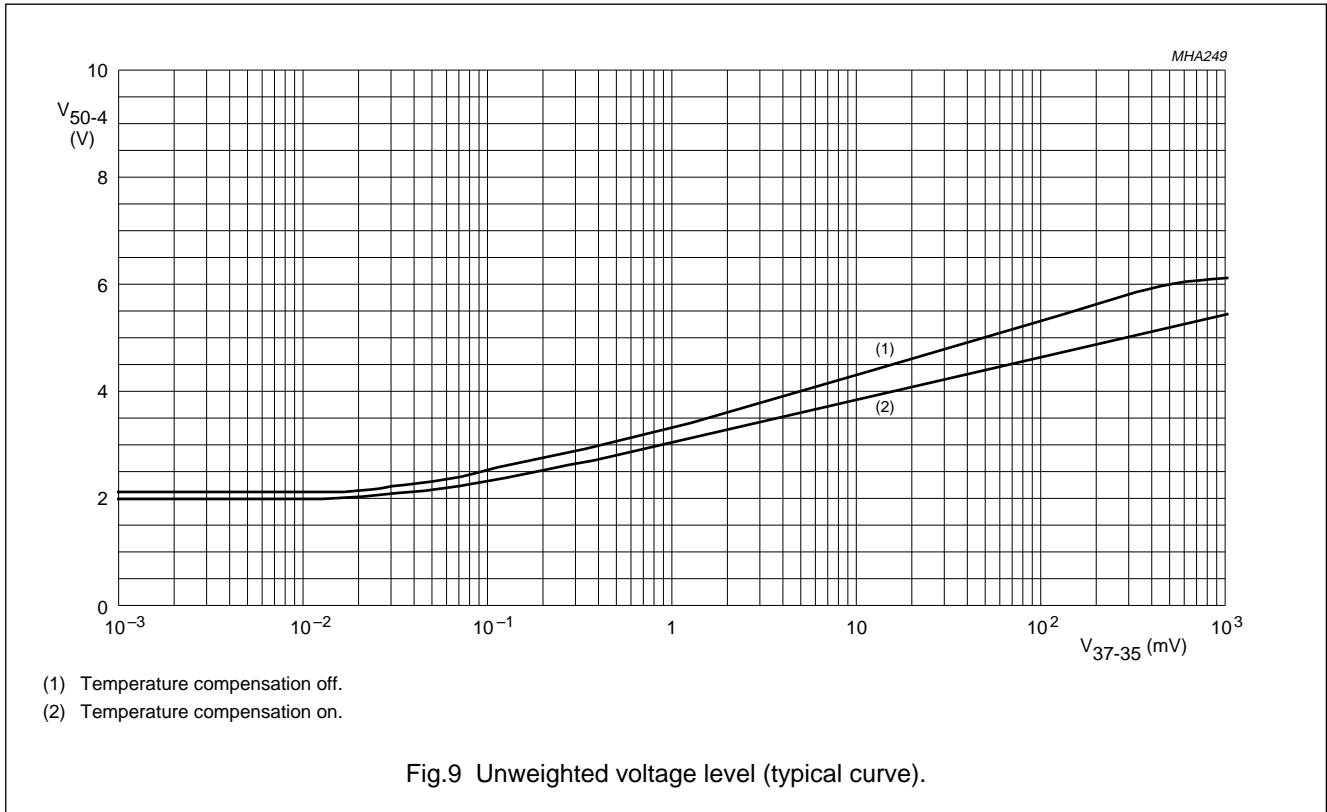
In Car Entertainment (ICE) car radio

TEA6820T; TEA6822T



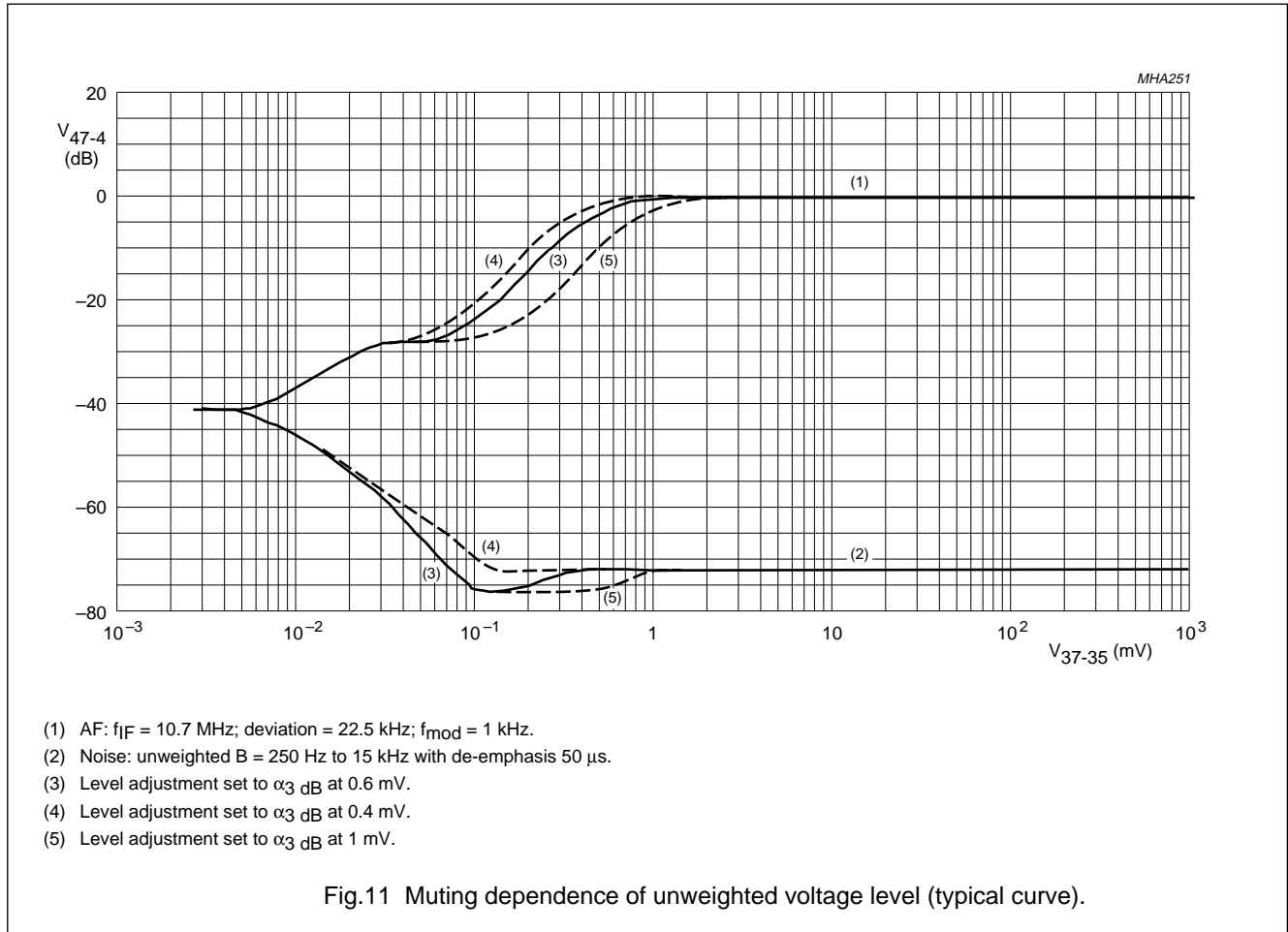
In Car Entertainment (ICE) car radio

TEA6820T; TEA6822T



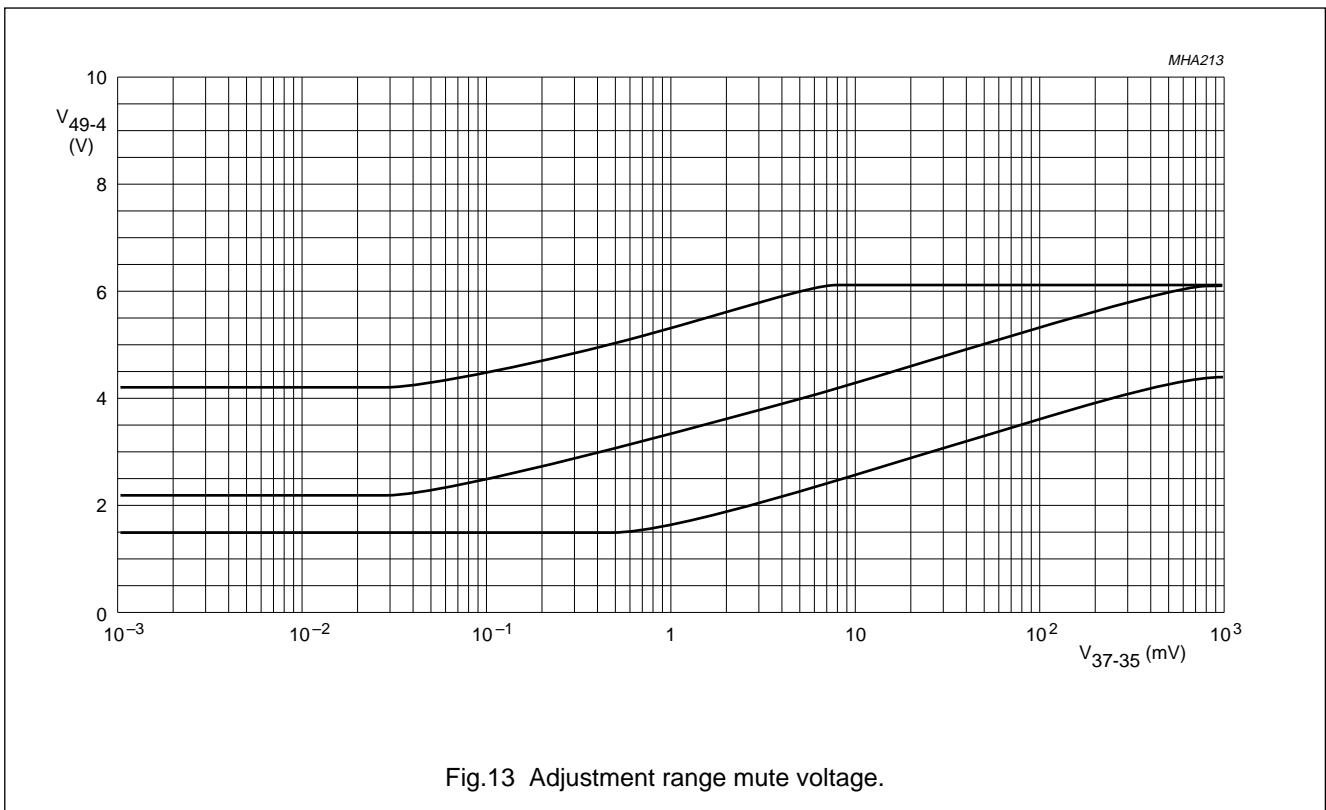
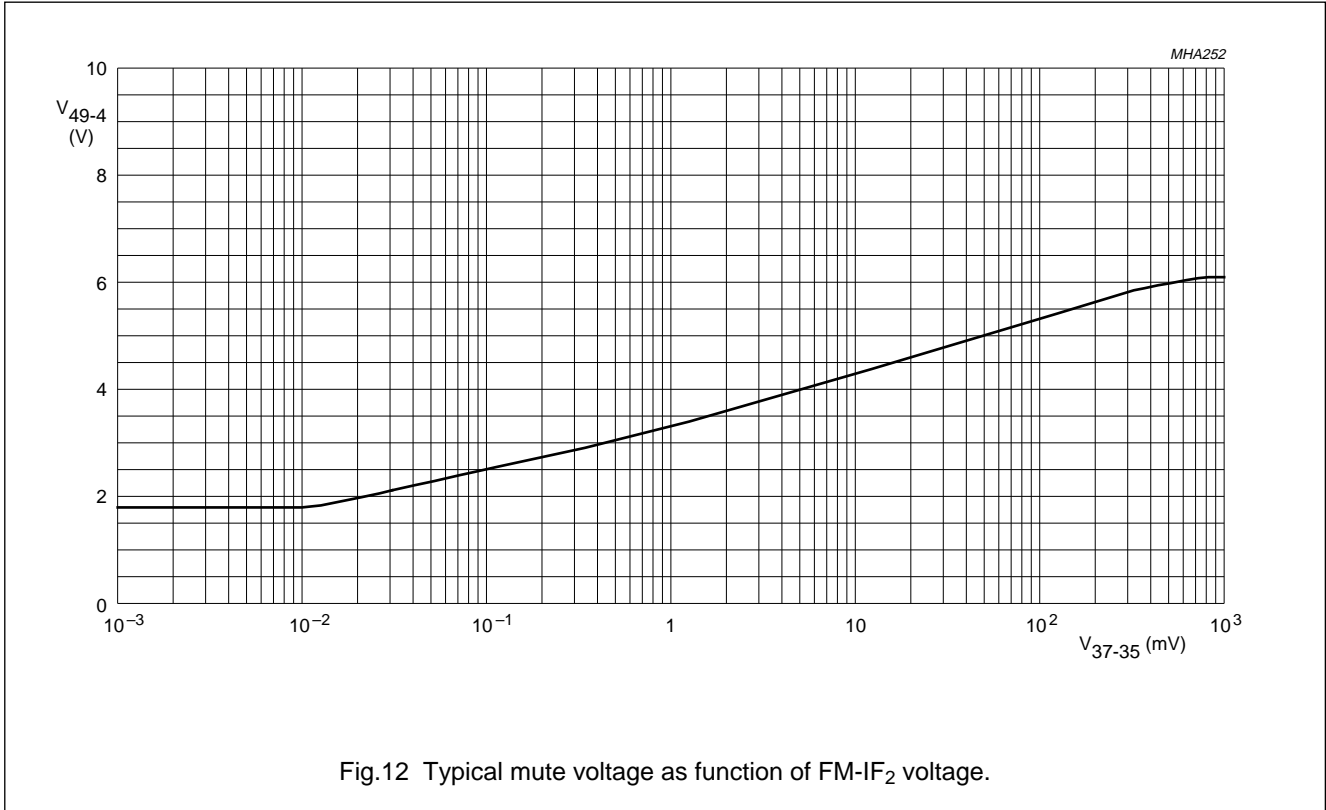
In Car Entertainment (ICE) car radio

TEA6820T; TEA6822T



In Car Entertainment (ICE) car radio

TEA6820T; TEA6822T



In Car Entertainment (ICE) car radio

TEA6820T; TEA6822T

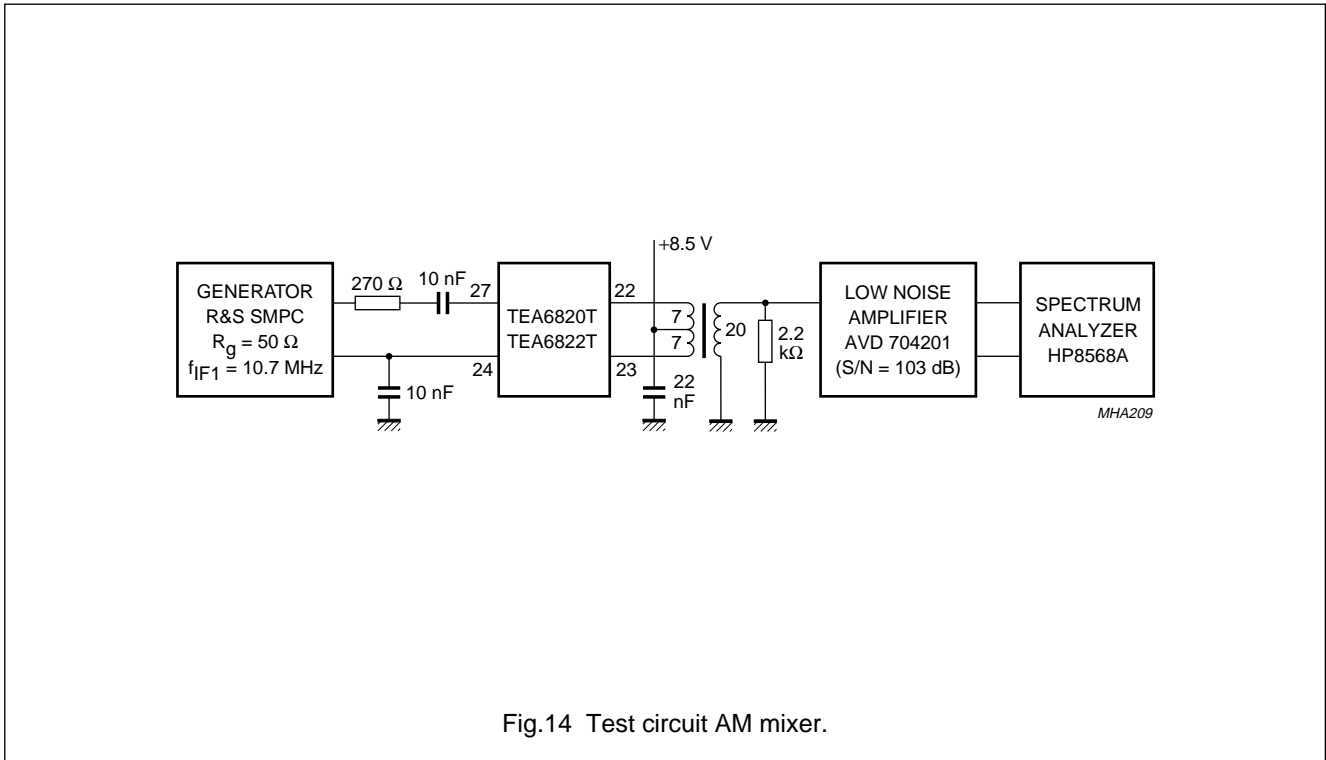


Fig.14 Test circuit AM mixer.

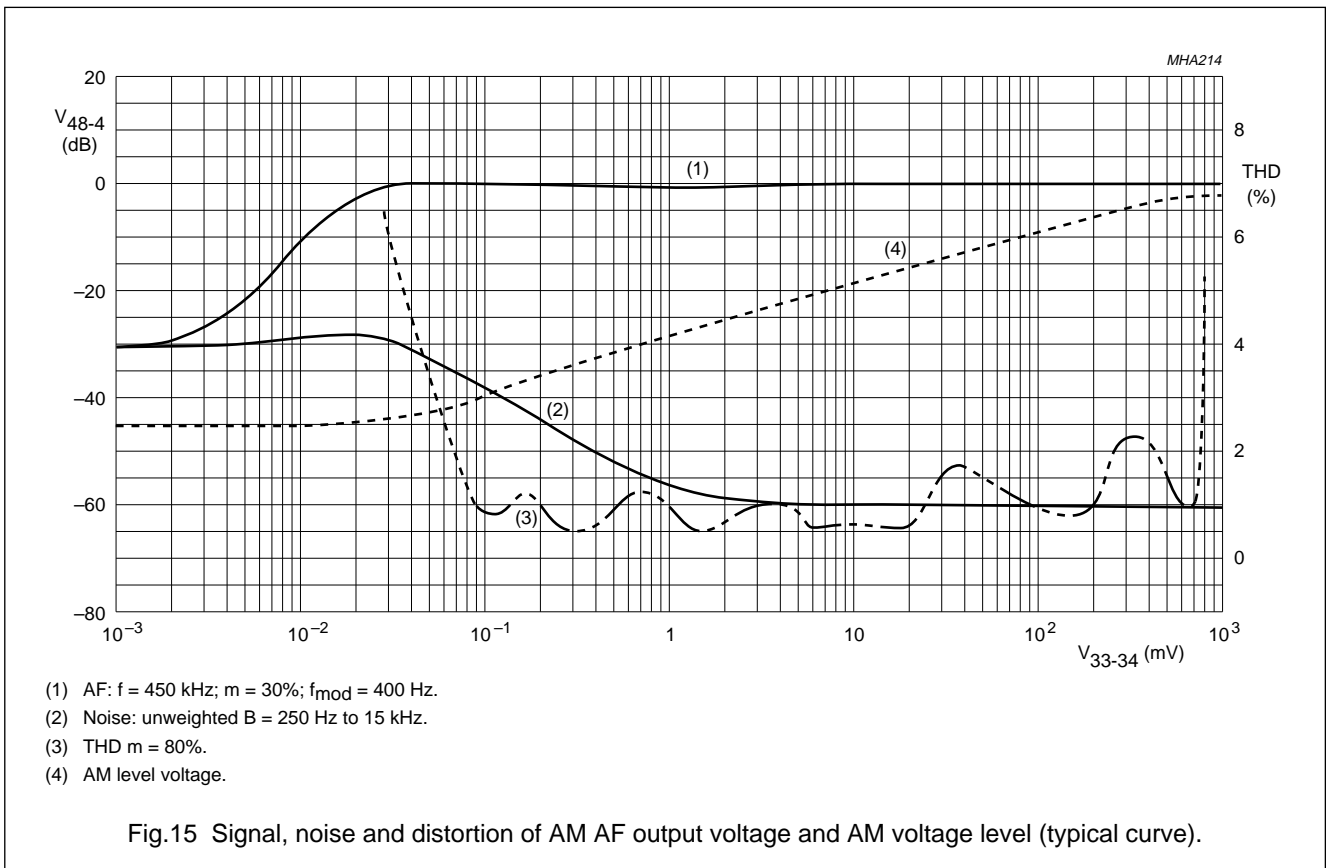
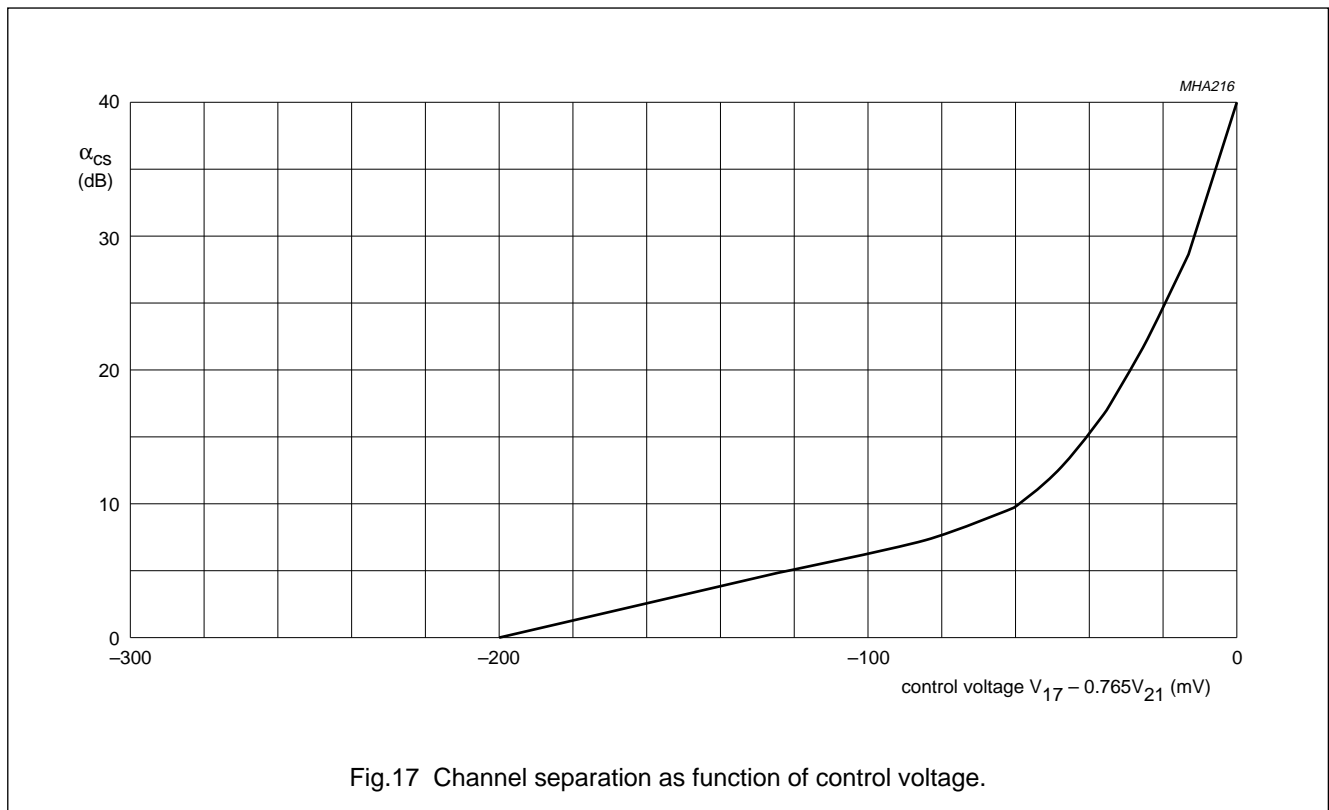
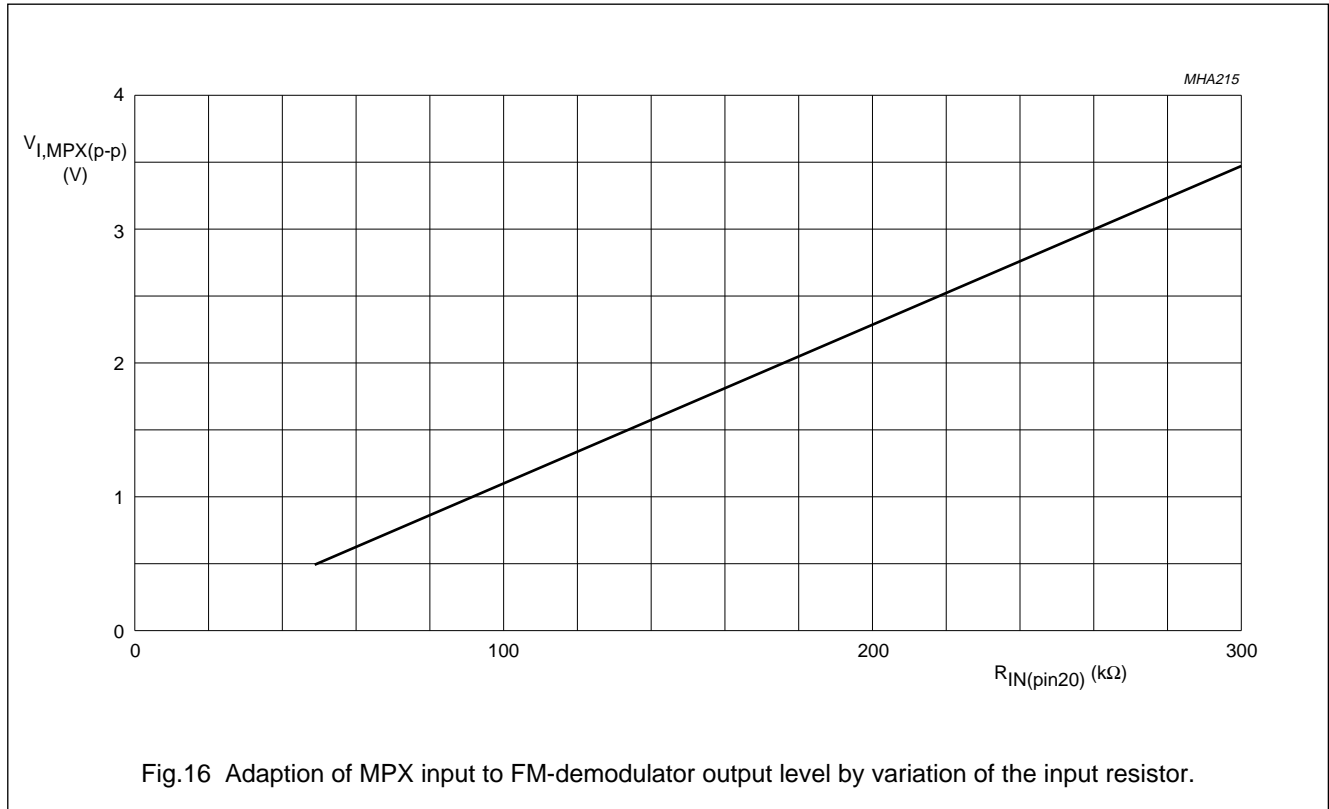


Fig.15 Signal, noise and distortion of AM AF output voltage and AM voltage level (typical curve).

In Car Entertainment (ICE) car radio

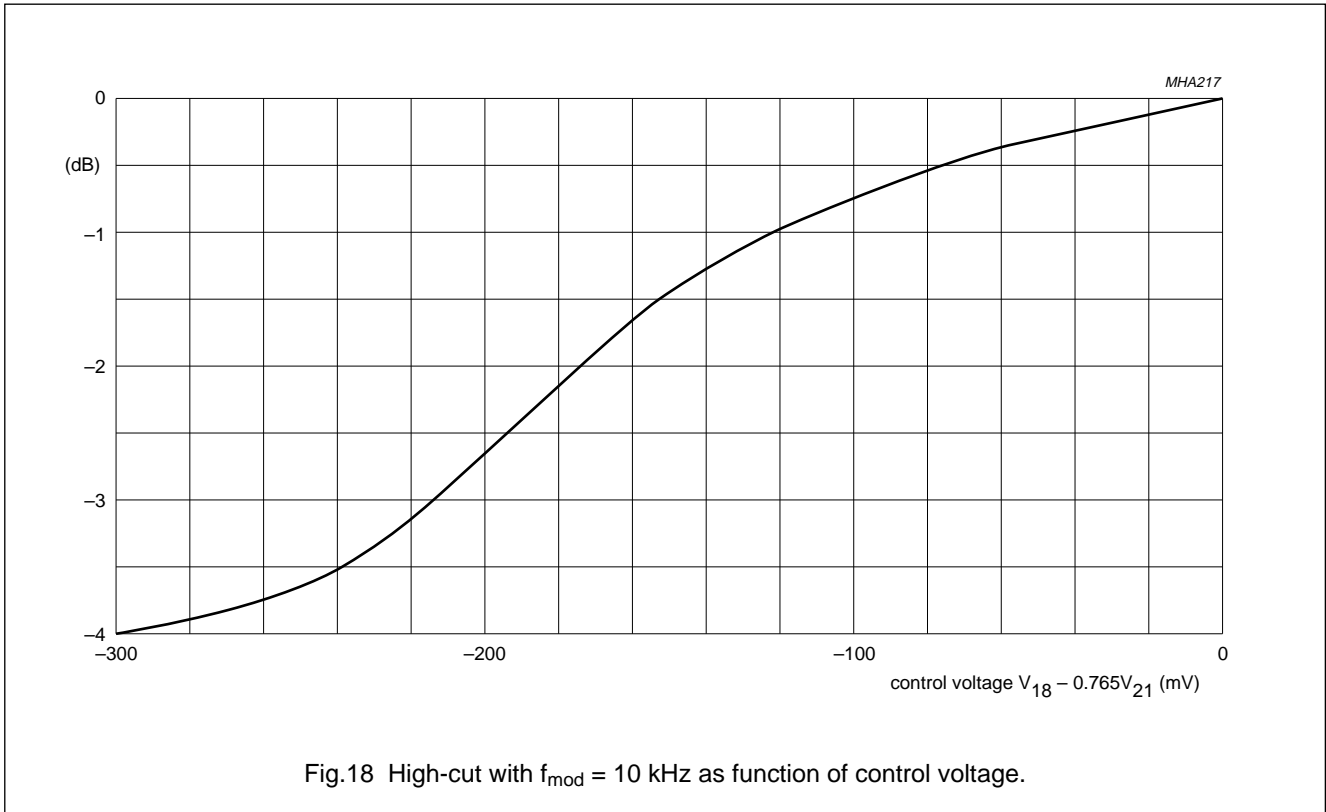
TEA6820T; TEA6822T





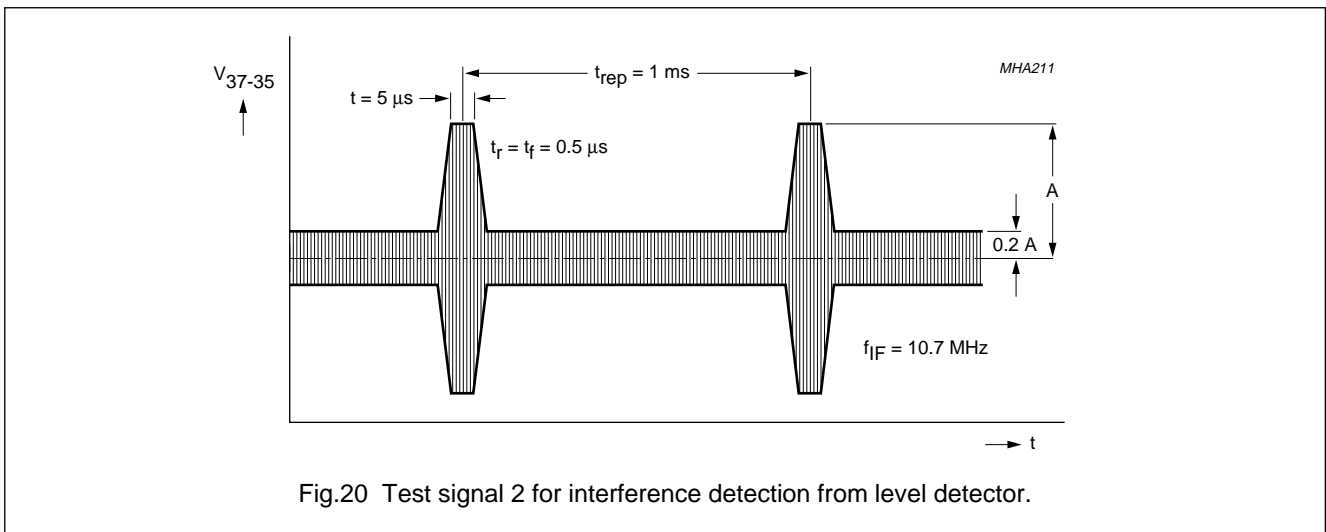
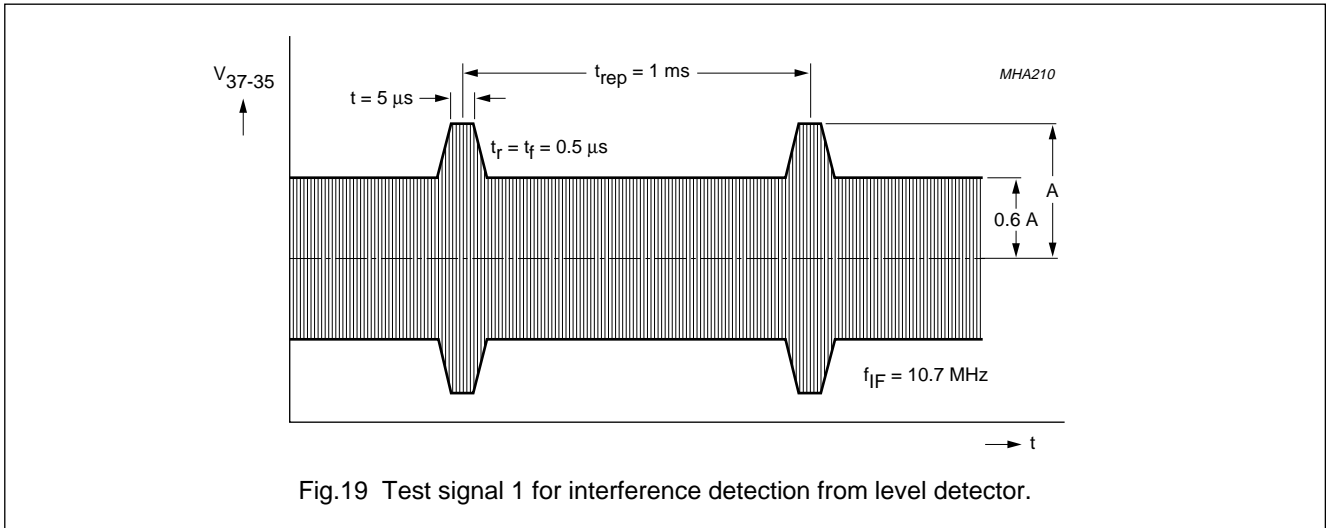
In Car Entertainment (ICE) car radio

TEA6820T; TEA6822T



In Car Entertainment (ICE) car radio

TEA6820T; TEA6822T



## In Car Entertainment (ICE) car radio

## TEA6820T; TEA6822T

**I<sup>2</sup>C-BUS AND I<sup>2</sup>C-BUS CONTROLLED FUNCTIONS****I<sup>2</sup>C-bus specification**

The standard I<sup>2</sup>C-bus specification is expanded by the following definitions.

Structure of the I<sup>2</sup>C-bus logic: slave transceiver with auto increment and expansion to switch a direct transfer of all transmissions to an output for the radio front-end IC (TEA6810T respectively TEA6811T).

Subaddresses are not used.

**DATA TRANSFER FOR THE TEA6820T AND THE TEA6822T**

Data sequence:

- Address
- Byte 1
- Byte 2.

The data transfer maybe in this order only. The transfer direction of the data bytes is defined by the LSB of the address.

The data becomes valid at the output of the internal latches with the acknowledge of each byte. A STOP condition after any byte can shorten transmission times.

When writing to the transceiver by using the STOP condition before completion of the whole transfer:

- The remaining bytes will contain the old information
- If the transfer of a byte was not completed, this byte is lost and the previous information is available.

**DATA TRANSFER TO AN OUTPUT OF THE FRONT-END IC**

A data bit in the transceiver of the TEA6820T or TEA6822T enables or disables a direct transfer of all transmissions to an interface stage for the front-end IC.

For a transmission to the front-end IC the address and the data format of the front-end IC has to be used.

Remark: the pull-up resistors for the front-end interface (pins 6 and 7) should not be connected to the 5 V supply voltage of the front-end IC, otherwise a bus pull-down (pin 53) can occur during switching off the front-end supply when the interface stage is enabled.

**DATA TRANSFER TO THE IF IC**

Data transfer to the IF IC (TEA6820T or TEA6822T) is independent of the state of interface stage for the front-end IC.

**Table 1** Structure of the I<sup>2</sup>C-bus

DESCRIPTION	SPECIFICATION
Bus address of the TEA6820T and the TEA6822T	1100001X
Subaddress	not used
Hardware (pin) programmable address bits	not available
Default settings by power-on reset	data byte 1 bits 4 to 7 are set to logic '0'; all other bits are random

**Table 2** Data to be received by the IC for data byte 1

BIT	DESCRIPTION	RESULT
0	switch for mono	bit 0 = 1
	switch for stereo	bit 0 = 0
1	LSB reference frequency for synthesizer	
2	reference frequency for synthesizer	
3	MSB reference frequency for synthesizer	
4	tuning mute off	bit 4 = 1
	tuning mute on	bit 4 = 0
5	SDS/SDR hold off	bit 5 = 1
	SDS/SDR hold on	bit 5 = 0
6	radio mute off	bit 6 = 1
	radio mute on	bit 6 = 0
7	I <sup>2</sup> C-bus to front-end ENABLED	bit 7 = 1
	I <sup>2</sup> C-bus to front-end DISABLED	bit 7 = 0

**Table 3** Reference frequency setting in data byte 1; see Table 1

BIT 3	BIT 2	BIT 1	FREQUENCY SETTING
0	0	0	3 kHz
0	0	1	5 kHz
0	1	0	10 kHz
0	1	1	15 kHz
1	0	0	25 kHz
1	0	1	50 kHz
1	1	0	not defined
1	1	1	not defined

## In Car Entertainment (ICE) car radio

## TEA6820T; TEA6822T

**Table 4** Data to be received by the IC for data byte 2

BIT	DESCRIPTION	RESULT
0	AM/FM; AM mode	bit 0 = 0
	AM/FM; FM mode	bit 0 = 1
1	divider for AM mixer; divide by 2	bit 1 = 0
	divider for AM mixer; divide by 6	bit 1 = 1
2	measure time IF-count; 40 ms	bit 2 = 0
	measure time IF-count; 4 ms	bit 2 = 1
3	SDR off	bit 3 = 0
	SDR on	bit 3 = 1
4	IF-prescaler division rate; divide by 200	bit 4 = 0
	IF-prescaler division rate; divide by 25	bit 4 = 1
5	sensitivity unchanged	bit 5 = 0
	multi-path sensitivity switch; less sensitivity by an offset of $\Delta m = 10\%$	bit 5 = 1
6	temperature compensation of unweighted voltage level; temperature coefficient as specified in Chapter "Characteristics"	
	temperature compensation off	bit 6 = 0
	temperature compensation on	bit 6 = 1
7	not used	

**Table 5** Data to be transmitted by the IC for data byte 1; note 1

BIT	DESCRIPTION
0	bit 1 level information
1	bit 2 level information
2	MSB (bit 3) level information
3	LSB multi-path information
4	multi-path information
5	MSB multi-path information
6	stereo pilot presence; bit 6 = 1
7	LSB (bit 0) level information

**Note**

1. The analog-to-digital conversion for multi-path and level will be done during a transmission of any address to the I<sup>2</sup>C-bus.

**Table 6** Data to be transmitted by the IC for data byte 2

BIT	DESCRIPTION
0	LSB of the IF-counter
1	IF-counter
2	IF-counter
3	IF-counter
4	IF-counter
5	IF-counter
6	IF-counter
7	MSB of the IF-counter

## REFERENCED FREQUENCY GENERATION

**Table 7** Division ratios

DIVISION RATIO	REFERENCE FREQUENCY (kHz) <sup>(1)</sup>
20500	3
12300	5
6150	10
4100	15
2460	25
1230	50

**Note**

1. All specified frequencies are valid for a crystal oscillator frequency of 61.5 MHz.

In Car Entertainment (ICE) car radio

TEA6820T; TEA6822T

**Table 8** Output signal of reference frequency divider

SYMBOL	PARAMETER	MIN.	TYP.	MAX.	UNIT
$V_{10-11(p-p)}$	differential output voltage (peak-to-peak value)	0.3	0.4	0.5	V
$V_{10-4(p-p)}$ ; $V_{11-4(p-p)}$	single-ended output voltage (peak-to-peak value)	0.15	0.2	0.3	V
$C_{10-4}$ ; $C_{11-4}$	output capacitance	–	–	4	pF
$R_{10-52}$ ; $R_{11-52}$	output resistance	800	1000	1200	$\Omega$

IF COUNTER

**Table 9** IF counter sensitivity

SYMBOL	PARAMETER	CONDITIONS	MIN.	UNIT
$V_{33-34}$	IF counter sensitivity	AM mode; $m = 0$	200	$\mu V$
$V_{37-35}$	IF counter sensitivity	FM mode	200	$\mu V$

AM counting windows are 4 or 40 ms. FM counting windows are 4 or 40 ms. AM counting resolution is 250 or 25 Hz. FM counting resolution is 5 kHz, 625 Hz, 50 kHz or 6.25 kHz. AM IF-prescaler is divisible by 1. FM IF-prescaler is divisible by 25 or 200.

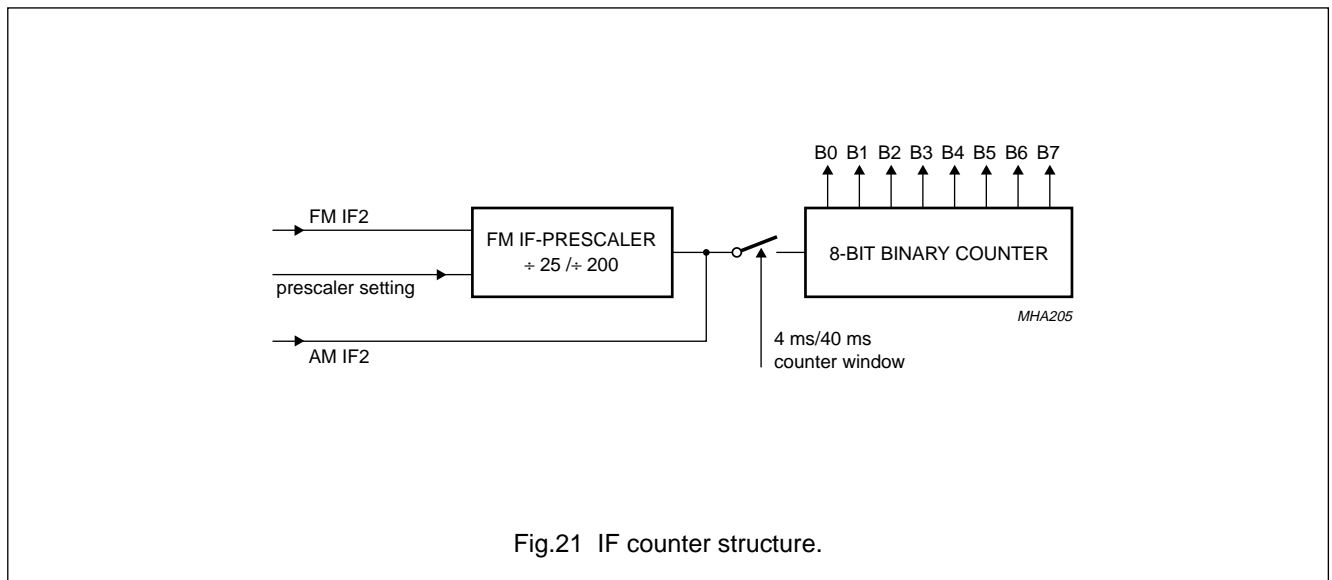


Fig.21 IF counter structure.

## In Car Entertainment (ICE) car radio

## TEA6820T; TEA6822T

*IF counter read out***IF counter read out as a function of FM or AM position, counter window and prescaler setting**

FM/AM	PRESCALER RATIO	WINDOW (ms)	f <sub>IF</sub> (kHz)	READ OUT	RESOLUTION (Hz/count)	RANGE (kHz)	
						MIN.	MAX.
FM	200	4	10700	D6H	50000	4300	17050
FM	200	40	10700	5CH	5000	10065	11335
FM	25	4	10700	B0H	6250	9906.25	11493.75
FM <sup>(1)</sup>	25	40	10700	E0H	625	10620.63	10779.38
AM	1	4	450	08H	250	418.25	481.75
AM <sup>(1)</sup>	1	40	450	50H	25	446.83	453.18

**Note**

1. In position FM with a prescaler ratio of 25, counter window of 40 ms and in position AM with 40 ms counter window ambiguous counting results within the IF filter bandwidth are obtained. The counting range is 127 counts above and 127 counts below the nominal IF of 10.7 MHz for FM and 450 kHz for AM.

The IF count windows are valid for a crystal oscillator frequency of 61.5 MHz.

The FM/AM switching is carried out by bit 0 of byte 2 of the received data of the IC.

The IF counter operates continuously.

The IF counter and window-counter will be reset when the I<sup>2</sup>C-bus logic detects the address of the IC. This disables changes in the latches for the IF count, while reading this value. If the transmission to the front-end IC is disabled after the synthesizer loop of the TEA6810T/TEA6811T front-end IC has locked for a new frequency, the IF-count will be available after the set measuring time.

The IF counter starts at 0. The IF counter output are the **8 least significant bits** of the counting result.

In Car Entertainment (ICE) car radio

TEA6820T; TEA6822T

INTERNAL CIRCUITRY

Table 10 Equivalent pin circuits and pin voltages

PIN	SYMBOL	DC VOLTAGE (V)		EQUIVALENT CIRCUIT
		AM	FM	
1	QDET1	4.0	4.0	
2	QDET2	4.0	4.0	
3	TSWITCH	open	0.4 to 0.6	
4	AGND	-	-	
5	V <sub>DDA1</sub>	5.0	5.0	
6	HFBUS1	5.0	5.0	
7	HFBUS2	5.0	5.0	

In Car Entertainment (ICE) car radio

TEA6820T; TEA6822T

PIN	SYMBOL	DC VOLTAGE (V)		EQUIVALENT CIRCUIT
		AM	FM	
8	XTAL1	4.1	4.1	
9	XTAL2	4.1	4.1	
10	$f_{ref(p)}$	4.9	4.9	
11	$f_{ref(n)}$	4.9	4.9	
12	$I_{ref}$	4.3	4.3	
13	FMIF1IN1	2.3	2.3	
14	FMIF1IN2	2.3	2.3	



In Car Entertainment (ICE) car radio

TEA6820T; TEA6822T

PIN	SYMBOL	DC VOLTAGE (V)		EQUIVALENT CIRCUIT
		AM	FM	
15	TSDR	0.7 to 5.5	0.7 to 5.5	
16	TSDS	0.7 to 5.5	0.7 to 5.5	
17	V <sub>SDS</sub>	3.0 to 5.5	3.0 to 5.5	
18	V <sub>SDR</sub>	3.0 to 5.5	3.0 to 5.5	
19	FMIF2OUT1	8.5	8.5	
20	FMIF2OUT2	8.5	8.5	

In Car Entertainment (ICE) car radio

TEA6820T; TEA6822T

PIN	SYMBOL	DC VOLTAGE (V)		EQUIVALENT CIRCUIT
		AM	FM	
21	$V_{ref}$	5.1	5.1	
22	AMIF2OUT1	8.5	8.5	
23	AMIF2OUT2	8.5	8.5	
24	FMAMDEC	3.0	2.5	
25	PHASEDET	2.8 to 7.0	2.8 to 7.2	
26	PILDET	0.4	0.4 to 7.0	

In Car Entertainment (ICE) car radio

TEA6820T; TEA6822T

PIN	SYMBOL	DC VOLTAGE (V)		EQUIVALENT CIRCUIT
		AM	FM	
27	FMAM10.7	3.0	2.5	
28	V <sub>DDA2</sub>	8.5	8.5	
29	FMIFAMPOUT	6.0	6.0	
30	AFGND	3.6	3.6	
31	DEEMPHR	2.3	2.3	
32	DEEMPHL	2.3	2.3	

In Car Entertainment (ICE) car radio

TEA6820T; TEA6822T

PIN	SYMBOL	DC VOLTAGE (V)		EQUIVALENT CIRCUIT
		AM	FM	
33	AMIF2IN1	2.7	0.7	
34	AMIF2IN2	2.7	0.7	
35	FMIN2	0.7	2.7	
36	DCFEED	2.7	2.7	
37	FMIN1	0.7	2.7	
38	LEVELADJ	2.6	2.6	

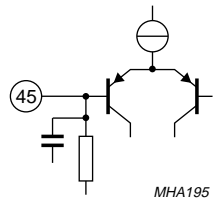
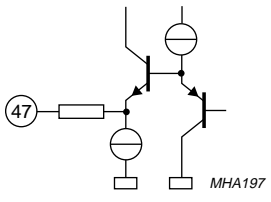
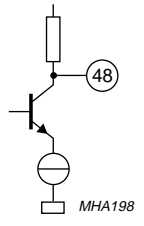
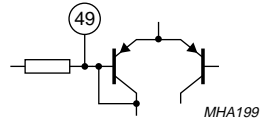
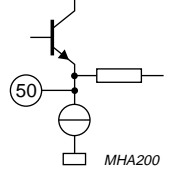
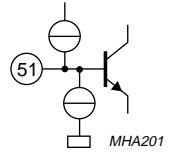
In Car Entertainment (ICE) car radio

TEA6820T; TEA6822T

PIN	SYMBOL	DC VOLTAGE (V)		EQUIVALENT CIRCUIT
		AM	FM	
39	C <sub>AFC</sub>	1.0 to 2.2	1.0 to 7.0	
40	MPBUF	0.7 to 6.0	0.7 to 6.0	
41	OUTLEFT	3.6	3.6	
42	FMSTOP	0 to 5.2	0 to 5.2	
43	RDS/AMSTOP	0 to 5.2	3.0	
44	OUTRIGHT	3.6	3.6	

In Car Entertainment (ICE) car radio

TEA6820T; TEA6822T

PIN	SYMBOL	DC VOLTAGE (V)		EQUIVALENT CIRCUIT
		AM	FM	
45	MPXIN	2.8	2.8	 <p>MHA195</p>
46	i.c.	–	–	
47	MPXOUT	0	3.0	 <p>MHA197</p>
48	AMAFOUT	3.7	4.8	 <p>MHA198</p>
49	V <sub>mute/AML</sub>	1.0 to 5.5	1.0 to 5.5	 <p>MHA199</p>
50	LEVELUNWEIG	1.0 to 7.0	1.0 to 7.0	 <p>MHA200</p>
51	IAC <sub>CONTR</sub>	0	6.0	 <p>MHA201</p>
52	V <sub>DD</sub>	5.0	5.0	

In Car Entertainment (ICE) car radio

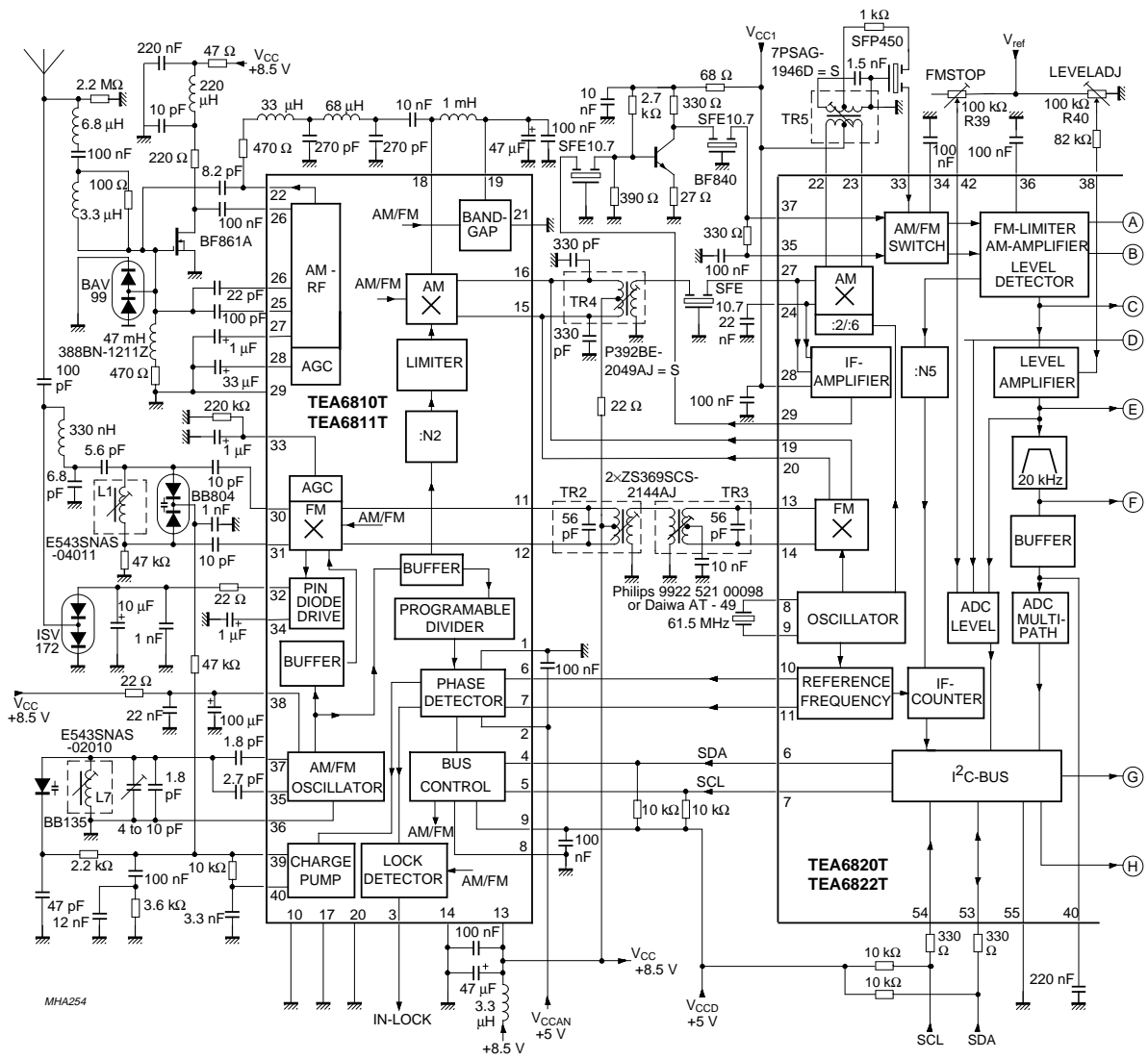
TEA6820T; TEA6822T

PIN	SYMBOL	DC VOLTAGE (V)		EQUIVALENT CIRCUIT
		AM	FM	
53	SDA	5.0	5.0	
54	SCL	5.0	5.0	
55	DGND	0	0	
56	V <sub>DDA3</sub>	8.5	8.5	

In Car Entertainment (ICE) car radio

TEA6820T; TEA6822T

APPLICATION INFORMATION



Time constant control: slow or fast attack and decay time constants for soft mute, mono/stereo and high-cut control can be chosen by connecting pin 3 to GND or pin 21.

Fig.22 ICE application diagram (continued in Fig.23).



In Car Entertainment (ICE) car radio

TEA6820T; TEA6822T

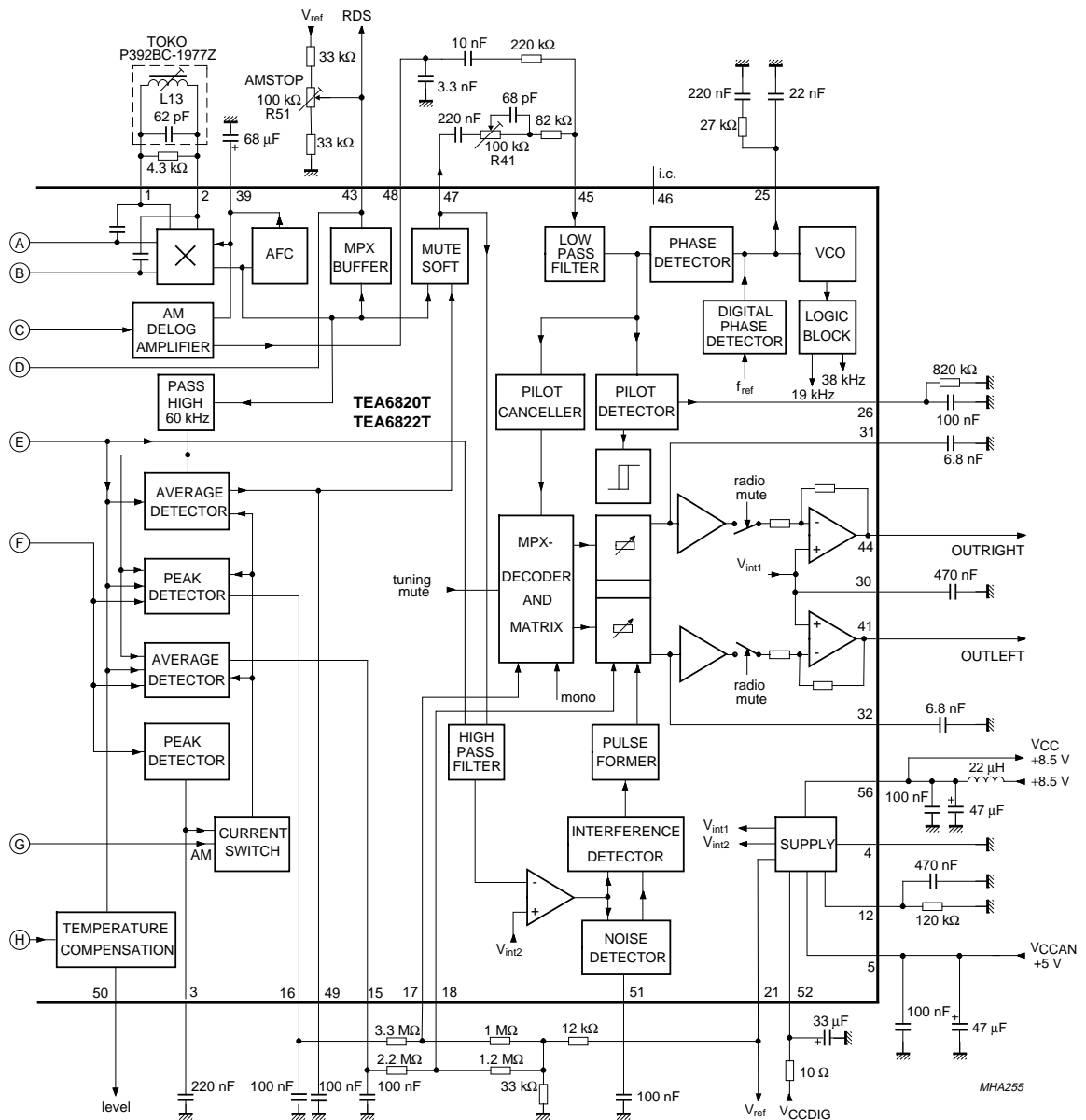


Fig.23 ICE application diagram (continued from Fig.22).

# In Car Entertainment (ICE) car radio

# TEA6820T; TEA6822T

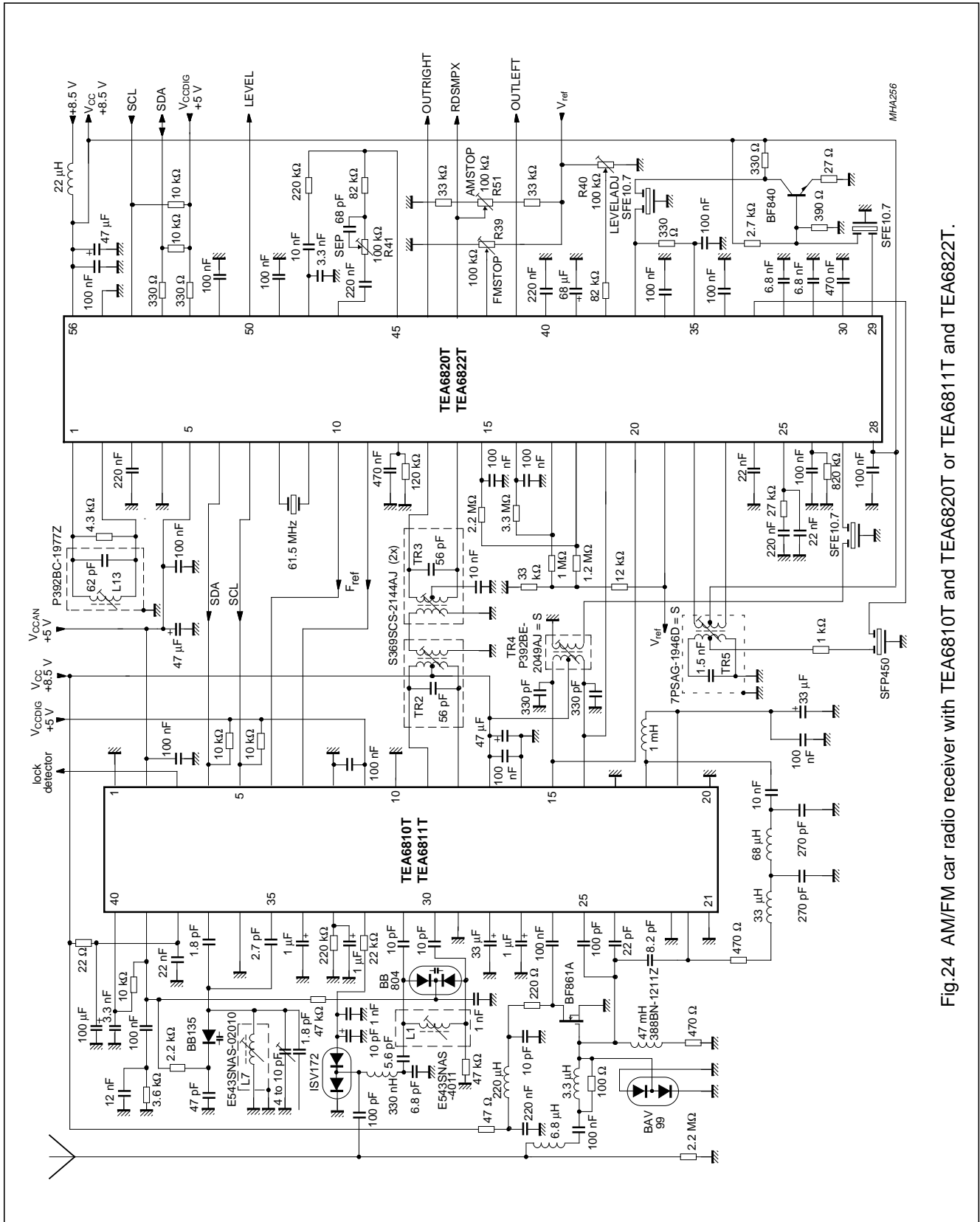


Fig.24 AM/FM car radio receiver with TEA6810T and TEA6820T or TEA6811T and TEA6822T.

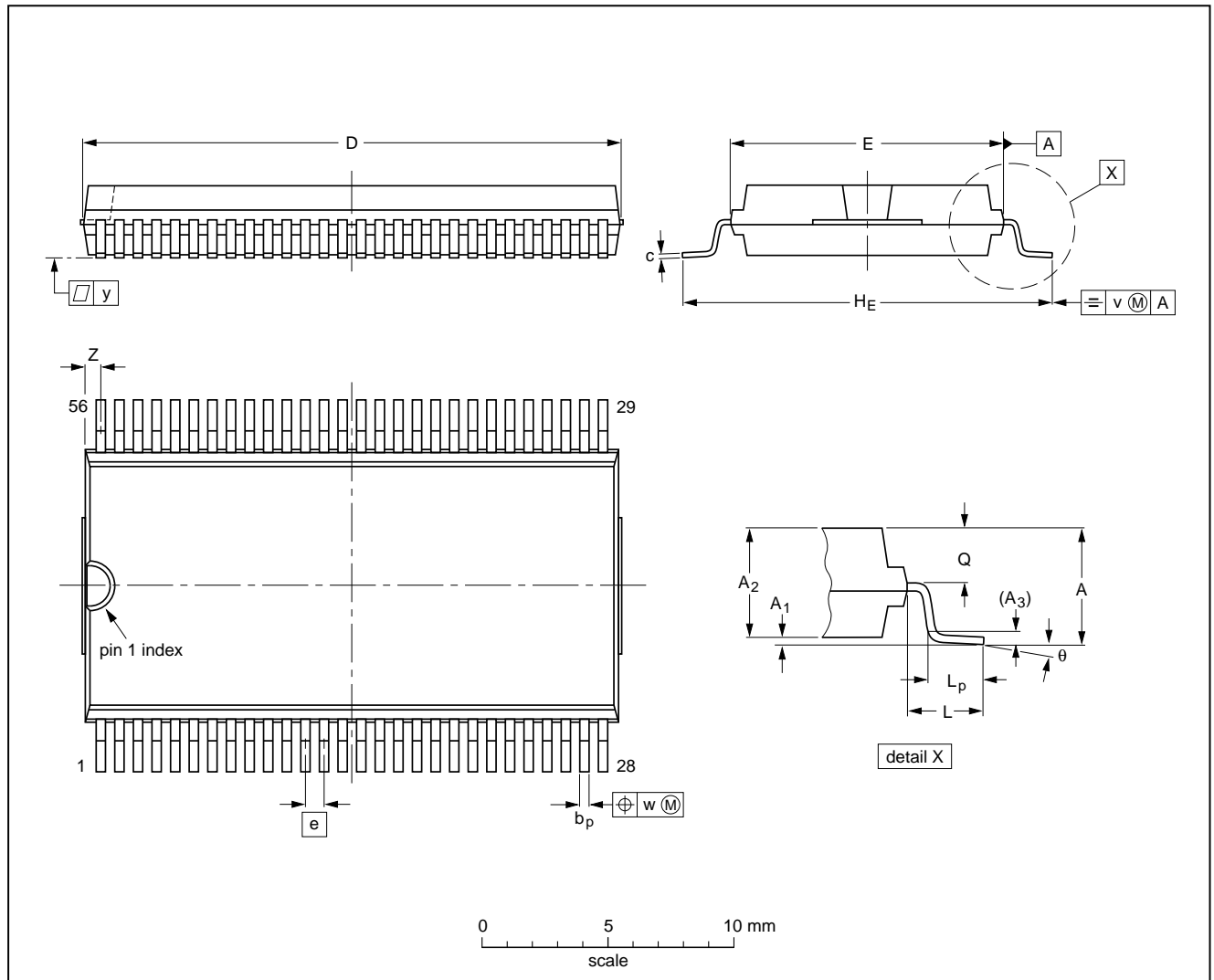
In Car Entertainment (ICE) car radio

TEA6820T; TEA6822T

PACKAGE OUTLINES

VSO56: plastic very small outline package; 56 leads

SOT190-1



DIMENSIONS (inch dimensions are derived from the original mm dimensions)

UNIT	A max.	A <sub>1</sub>	A <sub>2</sub>	A <sub>3</sub>	b <sub>p</sub>	c	D <sup>(1)</sup>	E <sup>(2)</sup>	e	H <sub>E</sub>	L	L <sub>p</sub>	Q	v	w	y	z <sup>(1)</sup>	θ
mm	3.3	0.3 0.1	3.0 2.8	0.25	0.42 0.30	0.22 0.14	21.65 21.35	11.1 11.0	0.75	15.8 15.2	2.25	1.6 1.4	1.45 1.30	0.2	0.1	0.1	0.90 0.55	7° 0°
inches	0.13	0.012 0.004	0.12 0.11	0.01	0.017 0.012	0.0087 0.0055	0.85 0.84	0.44 0.43	0.03	0.62 0.60	0.089	0.063 0.055	0.057 0.051	0.008	0.004	0.004	0.035 0.022	

Note

1. Plastic or metal protrusions of 0.3 mm maximum per side are not included.
2. Plastic interlead protrusions of 0.25 mm maximum per side are not included.

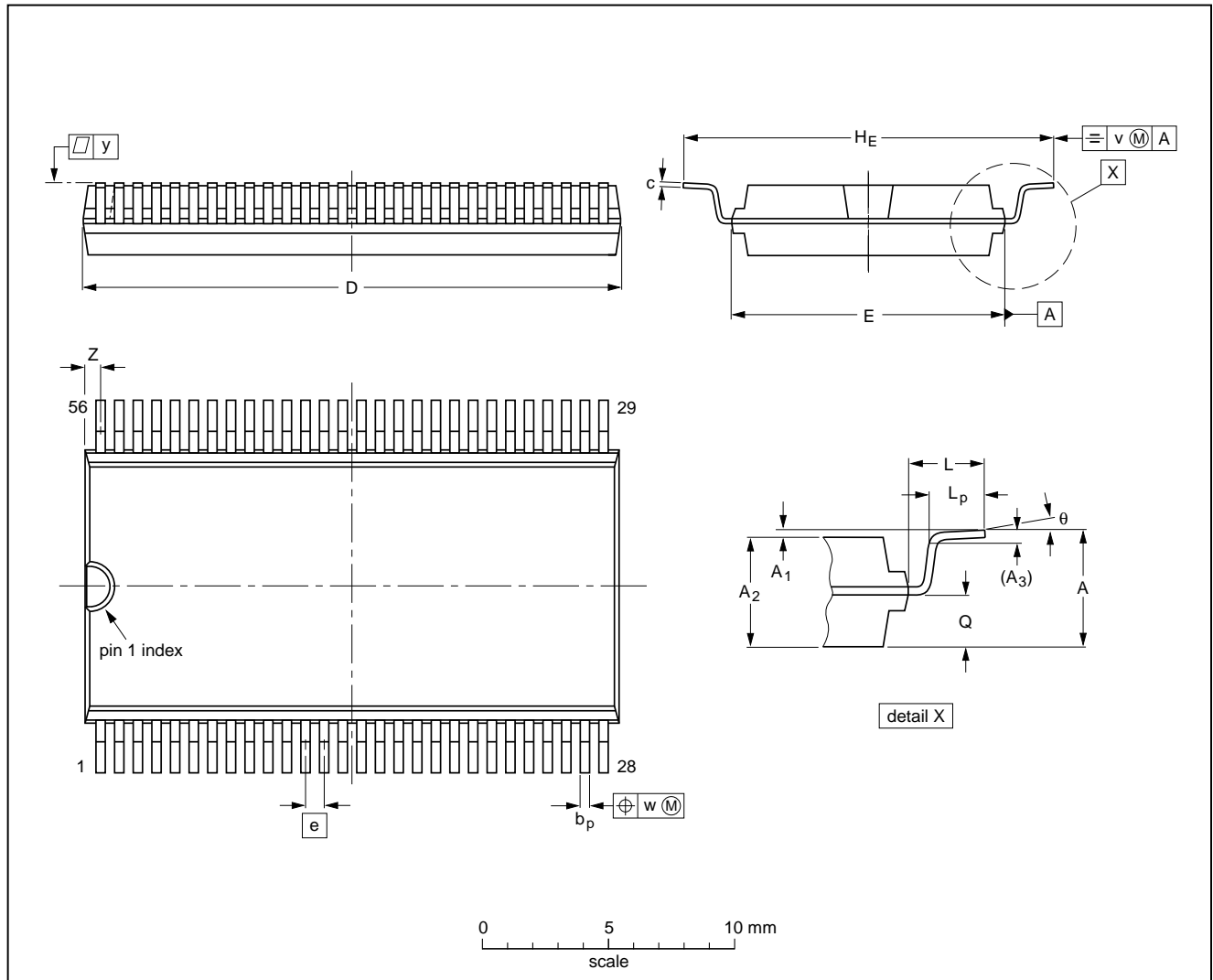
OUTLINE VERSION	REFERENCES			EUROPEAN PROJECTION	ISSUE DATE
	IEC	JEDEC	EIAJ		
SOT190-1					92-11-17 96-04-02

In Car Entertainment (ICE) car radio

TEA6820T; TEA6822T

VSO56: plastic very small outline package; 56 leads; face down

SOT190-2



DIMENSIONS (inch dimensions are derived from the original mm dimensions)

UNIT	A max.	A <sub>1</sub>	A <sub>2</sub>	A <sub>3</sub>	b <sub>p</sub>	c	D <sup>(1)</sup>	E <sup>(2)</sup>	e	H <sub>E</sub>	L	L <sub>p</sub>	Q	v	w	y	Z <sup>(1)</sup>	θ
mm	3.3	0.3 0.1	3.0 2.8	0.25	0.42 0.30	0.22 0.14	21.65 21.35	11.1 11.0	0.75	15.8 15.2	2.25	1.6 1.4	1.45 1.30	0.2	0.1	0.1	0.90 0.55	7° 0°
inches	0.13	0.012 0.004	0.12 0.11	0.01	0.017 0.012	0.0087 0.0055	0.85 0.84	0.44 0.43	0.03	0.62 0.60	0.089	0.063 0.055	0.057 0.051	0.008	0.004	0.004	0.035 0.022	

- Note**
1. Plastic or metal protrusions of 0.3 mm maximum per side are not included.
  2. Plastic interlead protrusions of 0.25 mm maximum per side are not included.

OUTLINE VERSION	REFERENCES				EUROPEAN PROJECTION	ISSUE DATE
	IEC	JEDEC	EIAJ			
SOT190-2						95-04-26 96-04-02

---

## In Car Entertainment (ICE) car radio

## TEA6820T; TEA6822T

---

### SOLDERING

#### Introduction

There is no soldering method that is ideal for all IC packages. Wave soldering is often preferred when through-hole and surface mounted components are mixed on one printed-circuit board. However, wave soldering is not always suitable for surface mounted ICs, or for printed-circuits with high population densities. In these situations reflow soldering is often used.

This text gives a very brief insight to a complex technology. A more in-depth account of soldering ICs can be found in our *"IC Package Databook"* (order code 9398 652 90011).

#### Reflow soldering

Reflow soldering techniques are suitable for all VSO packages.

Reflow soldering requires solder paste (a suspension of fine solder particles, flux and binding agent) to be applied to the printed-circuit board by screen printing, stencilling or pressure-syringe dispensing before package placement.

Several techniques exist for reflowing; for example, thermal conduction by heated belt. Dwell times vary between 50 and 300 seconds depending on heating method. Typical reflow temperatures range from 215 to 250 °C.

Preheating is necessary to dry the paste and evaporate the binding agent. Preheating duration: 45 minutes at 45 °C.

#### Wave soldering

Wave soldering techniques can be used for all VSO packages if the following conditions are observed:

- A double-wave (a turbulent wave with high upward pressure followed by a smooth laminar wave) soldering technique should be used.
- The longitudinal axis of the package footprint must be parallel to the solder flow.
- The package footprint must incorporate solder thieves at the downstream end.

During placement and before soldering, the package must be fixed with a droplet of adhesive. The adhesive can be applied by screen printing, pin transfer or syringe dispensing. The package can be soldered after the adhesive is cured.

Maximum permissible solder temperature is 260 °C, and maximum duration of package immersion in solder is 10 seconds, if cooled to less than 150 °C within 6 seconds. Typical dwell time is 4 seconds at 250 °C.

A mildly-activated flux will eliminate the need for removal of corrosive residues in most applications.

#### Repairing soldered joints

Fix the component by first soldering two diagonally-opposite end leads. Use only a low voltage soldering iron (less than 24 V) applied to the flat part of the lead. Contact time must be limited to 10 seconds at up to 300 °C. When using a dedicated tool, all other leads can be soldered in one operation within 2 to 5 seconds between 270 and 320 °C.

## In Car Entertainment (ICE) car radio

TEA6820T; TEA6822T

**DEFINITIONS**

<b>Data sheet status</b>	
Objective specification	This data sheet contains target or goal specifications for product development.
Preliminary specification	This data sheet contains preliminary data; supplementary data may be published later.
Product specification	This data sheet contains final product specifications.
<b>Limiting values</b>	
Limiting values given are in accordance with the Absolute Maximum Rating System (IEC 134). Stress above one or more of the limiting values may cause permanent damage to the device. These are stress ratings only and operation of the device at these or at any other conditions above those given in the Characteristics sections of the specification is not implied. Exposure to limiting values for extended periods may affect device reliability.	
<b>Application information</b>	
Where application information is given, it is advisory and does not form part of the specification.	

**LIFE SUPPORT APPLICATIONS**

These products are not designed for use in life support appliances, devices, or systems where malfunction of these products can reasonably be expected to result in personal injury. Philips customers using or selling these products for use in such applications do so at their own risk and agree to fully indemnify Philips for any damages resulting from such improper use or sale

**PURCHASE OF PHILIPS I<sup>2</sup>C COMPONENTS**

Purchase of Philips I<sup>2</sup>C components conveys a license under the Philips' I<sup>2</sup>C patent to use the components in the I<sup>2</sup>C system provided the system conforms to the I<sup>2</sup>C specification defined by Philips. This specification can be ordered using the code 9398 393 40011.

In Car Entertainment (ICE) car radio

TEA6820T; TEA6822T

---

**NOTES**

# Philips Semiconductors – a worldwide company

**Argentina:** see South America

**Australia:** 34 Waterloo Road, NORTH RYDE, NSW 2113,  
Tel. +61 2 9805 4455, Fax. +61 2 9805 4466

**Austria:** Computerstr. 6, A-1101 WIEN, P.O. Box 213,  
Tel. +43 1 60 101, Fax. +43 1 60 101 1210

**Belarus:** Hotel Minsk Business Center, Bld. 3, r. 1211, Volodarski Str. 6,  
220050 MINSK, Tel. +375 172 200 733, Fax. +375 172 200 773

**Belgium:** see The Netherlands

**Brazil:** see South America

**Bulgaria:** Philips Bulgaria Ltd., Energoproject, 15th floor,  
51 James Bourchier Blvd., 1407 SOFIA,  
Tel. +359 2 689 211, Fax. +359 2 689 102

**Canada:** PHILIPS SEMICONDUCTORS/COMPONENTS,  
Tel. +1 800 234 7381

**China/Hong Kong:** 501 Hong Kong Industrial Technology Centre,  
72 Tat Chee Avenue, Kowloon Tong, HONG KONG,  
Tel. +852 2319 7888, Fax. +852 2319 7700

**Colombia:** see South America

**Czech Republic:** see Austria

**Denmark:** Prags Boulevard 80, PB 1919, DK-2300 COPENHAGEN S,  
Tel. +45 32 88 2636, Fax. +45 31 57 1949

**Finland:** Sinikalliontie 3, FIN-02630 ESPOO,  
Tel. +358 9 615800, Fax. +358 9 61580/xxx

**France:** 4 Rue du Port-aux-Vins, BP317, 92156 SURESNES Cedex,  
Tel. +33 1 40 99 6161, Fax. +33 1 40 99 6427

**Germany:** Hammerbrookstraße 69, D-20097 HAMBURG,  
Tel. +49 40 23 53 60, Fax. +49 40 23 536 300

**Greece:** No. 15, 25th March Street, GR 17778 TAVROS/ATHENS,  
Tel. +30 1 4894 339/239, Fax. +30 1 4814 240

**Hungary:** see Austria

**India:** Philips INDIA Ltd, Shivsagar Estate, A Block, Dr. Annie Besant Rd.  
Worli, MUMBAI 400 018, Tel. +91 22 4938 541, Fax. +91 22 4938 722

**Indonesia:** see Singapore

**Ireland:** Newstead, Clonskeagh, DUBLIN 14,  
Tel. +353 1 7640 000, Fax. +353 1 7640 200

**Israel:** RAPAC Electronics, 7 Kehilat Saloniki St, TEL AVIV 61180,  
Tel. +972 3 645 0444, Fax. +972 3 649 1007

**Italy:** PHILIPS SEMICONDUCTORS, Piazza IV Novembre 3,  
20124 MILANO, Tel. +39 2 6752 2531, Fax. +39 2 6752 2557

**Japan:** Philips Bldg 13-37, Kohnan 2-chome, Minato-ku, TOKYO 108,  
Tel. +81 3 3740 5130, Fax. +81 3 3740 5077

**Korea:** Philips House, 260-199 Itaewon-dong, Yongsan-ku, SEOUL,  
Tel. +82 2 709 1412, Fax. +82 2 709 1415

**Malaysia:** No. 76 Jalan Universiti, 46200 PETALING JAYA, SELANGOR,  
Tel. +60 3 750 5214, Fax. +60 3 757 4880

**Mexico:** 5900 Gateway East, Suite 200, EL PASO, TEXAS 79905,  
Tel. +9-5 800 234 7381

**Middle East:** see Italy

**Netherlands:** Postbus 90050, 5600 PB EINDHOVEN, Bldg. VB,  
Tel. +31 40 27 82785, Fax. +31 40 27 88399

**New Zealand:** 2 Wagener Place, C.P.O. Box 1041, AUCKLAND,  
Tel. +64 9 849 4160, Fax. +64 9 849 7811

**Norway:** Box 1, Manglerud 0612, OSLO,  
Tel. +47 22 74 8000, Fax. +47 22 74 8341

**Philippines:** Philips Semiconductors Philippines Inc.,  
106 Valero St. Salcedo Village, P.O. Box 2108 MCC, MAKATI,  
Metro MANILA, Tel. +63 2 816 6380, Fax. +63 2 817 3474

**Poland:** Ul. Lukiska 10, PL 04-123 WARSZAWA,  
Tel. +48 22 612 2831, Fax. +48 22 612 2327

**Portugal:** see Spain

**Romania:** see Italy

**Russia:** Philips Russia, Ul. Usatcheva 35A, 119048 MOSCOW,  
Tel. +7 095 755 6918, Fax. +7 095 755 6919

**Singapore:** Lorong 1, Toa Payoh, SINGAPORE 1231,  
Tel. +65 350 2538, Fax. +65 251 6500

**Slovakia:** see Austria

**Slovenia:** see Italy

**South Africa:** S.A. PHILIPS Pty Ltd., 195-215 Main Road Martindale,  
2092 JOHANNESBURG, P.O. Box 7430 Johannesburg 2000,  
Tel. +27 11 470 5911, Fax. +27 11 470 5494

**South America:** Rua do Rocio 220, 5th floor, Suite 51,  
04552-903 São Paulo, SÃO PAULO - SP, Brazil,  
Tel. +55 11 821 2333, Fax. +55 11 829 1849

**Spain:** Balmes 22, 08007 BARCELONA,  
Tel. +34 3 301 6312, Fax. +34 3 301 4107

**Sweden:** Kottbygatan 7, Akalla, S-16485 STOCKHOLM,  
Tel. +46 8 632 2000, Fax. +46 8 632 2745

**Switzerland:** Allmendstrasse 140, CH-8027 ZÜRICH,  
Tel. +41 1 488 2686, Fax. +41 1 481 7730

**Taiwan:** Philips Semiconductors, 6F, No. 96, Chien Kuo N. Rd., Sec. 1,  
TAIPEI, Taiwan Tel. +886 2 2134 2870, Fax. +886 2 2134 2874

**Thailand:** PHILIPS ELECTRONICS (THAILAND) Ltd.,  
209/2 Sanpavuth-Bangna Road Prakanong, BANGKOK 10260,  
Tel. +66 2 745 4090, Fax. +66 2 398 0793

**Turkey:** Talatpasa Cad. No. 5, 80640 GÜLTEPE/ISTANBUL,  
Tel. +90 212 279 2770, Fax. +90 212 282 6707

**Ukraine:** PHILIPS UKRAINE, 4 Patrice Lumumba str., Building B, Floor 7,  
252042 KIEV, Tel. +380 44 264 2776, Fax. +380 44 268 0461

**United Kingdom:** Philips Semiconductors Ltd., 276 Bath Road, Hayes,  
MIDDLESEX UB3 5BX, Tel. +44 181 730 5000, Fax. +44 181 754 8421

**United States:** 811 East Arques Avenue, SUNNYVALE, CA 94088-3409,  
Tel. +1 800 234 7381

**Uruguay:** see South America

**Vietnam:** see Singapore

**Yugoslavia:** PHILIPS, Trg N. Pasica 5/v, 11000 BEOGRAD,  
Tel. +381 11 625 344, Fax. +381 11 635 777

**For all other countries apply to:** Philips Semiconductors, Marketing & Sales Communications,  
Building BE-p, P.O. Box 218, 5600 MD EINDHOVEN, The Netherlands, Fax. +31 40 27 24825

**Internet:** <http://www.semiconductors.philips.com>

© Philips Electronics N.V. 1997

SCA53

All rights are reserved. Reproduction in whole or in part is prohibited without the prior written consent of the copyright owner.

The information presented in this document does not form part of any quotation or contract, is believed to be accurate and reliable and may be changed without notice. No liability will be accepted by the publisher for any consequence of its use. Publication thereof does not convey nor imply any license under patent- or other industrial or intellectual property rights.

Printed in The Netherlands

547027/1200/03/pp48

Date of release: 1997 Feb 12

Document order number: 9397 750 01395

*Let's make things better.*