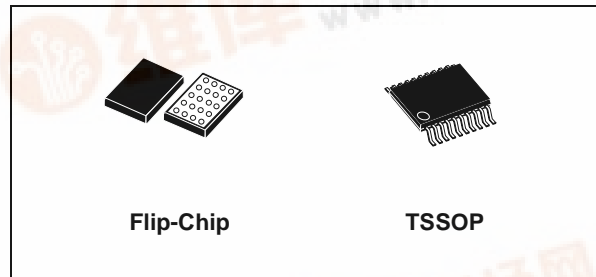




ST2378E

8-BIT DUAL SUPPLY 1.71V TO 5.5V LEVEL TRANSLATOR WITH I/O_{VCC} ±15KV ESD PROTECTION

- HIGH SPEED: $t_{PD} = 15\text{ns}$ (MAX.) at $T_A = 85^\circ\text{C}$
 $V_L = 1.8\text{V}$; $V_{CC} = 5.5\text{V}$
- GUARANTEED DATA RATE:
13Mbps ($1.8\text{V} \leq V_L \leq V_{CC} \leq 5.5\text{V}$)
- LOW POWER DISSIPATION:
 $I_{TS-VL} = I_{TS-VCC} = 1\mu\text{A}$ (MAX.) at $T_A = 85^\circ\text{C}$
 $I_{QVL} = 100\mu\text{A}$ (MAX.) at $T_A = 85^\circ\text{C}$
 $I_{QCC} = 10\mu\text{A}$ (MAX.) at $T_A = 85^\circ\text{C}$
- OUTPUT IMPEDANCE:
 $|I_{OHA}| = 20\mu\text{A}$ (MIN.) at $V_L=1.8\text{V}$ $V_{CC}=5.5\text{V}$
 $I_{OLA} = 1.0\text{mA}$ (MIN.) at $V_L=1.8\text{V}$ $V_{CC}=5.5\text{V}$
- BIDIRECTIONAL LEVEL TRANSLATION
- TOTEM POLE AND OPEN DRAIN DRIVING FOR I²C COMMUNICATIONS
- 5V TOLERANT ON ENABLE PIN
- THERMAL SHORT-CIRCUIT PROTECTION
- WIDE OPERATING VOLTAGE RANGE:
 $V_L(\text{OPR}) = 1.71\text{V}$ to V_{CC}
 $V_{CC}(\text{OPR}) = 1.71\text{V}$ to 5.5V
- ESD PERFORMANCE:
HBM > 15KV ESD PROTECTION ON I/O_{VCC} LINES
- LEADFREE FLIPCHIP AND TSSOP PACKAGES



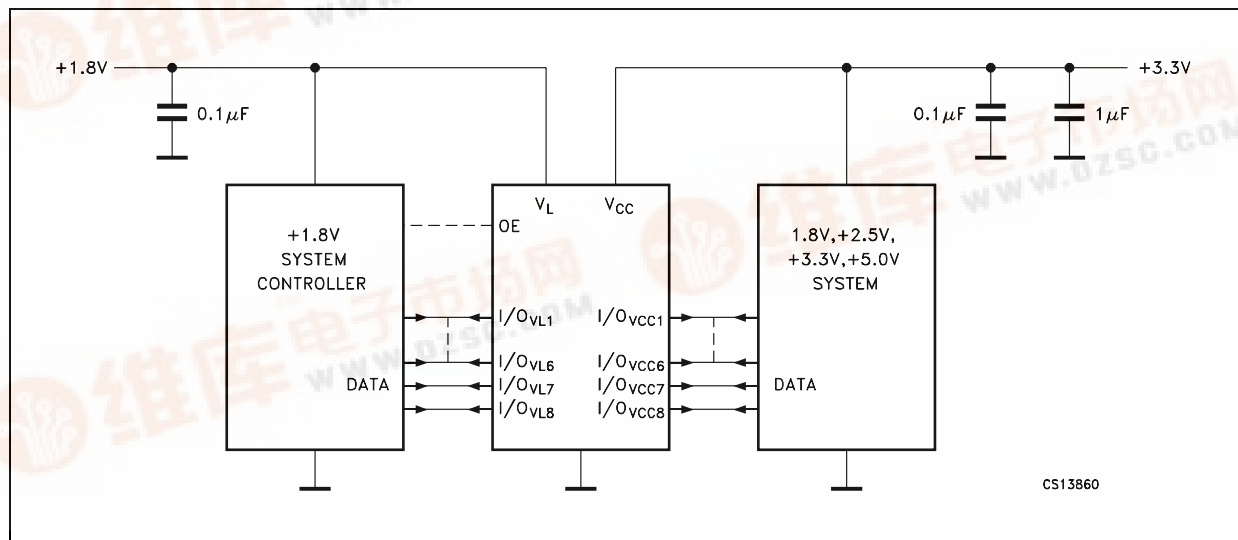
Externally applied voltages, V_{CC} and V_L , set the logic levels on either side of the device. It utilizes a transmission-gate-based design to allow data translation in either direction ($V_L \leftrightarrow V_{CC}$) on any single data line. The ST2378E accepts V_L from +1.71V to V_{CC} and V_{CC} from +1.71V to +5.5V, making them ideal for data transfer between low-voltage ASICs/PLDs and higher voltage systems. The ST2378E has a three-state output mode that reduces supply current to less than $1\mu\text{A}$, thermal short-circuit protection, and $\pm 15\text{KV}$ ESD protection on the V_{CC} side for greater protection in applications that route signals externally.

The ST2378E operates at a guaranteed data rate of 13Mbps over the entire specified operating voltage range. Within specific voltage domains, higher data rates are possible.

DESCRIPTION

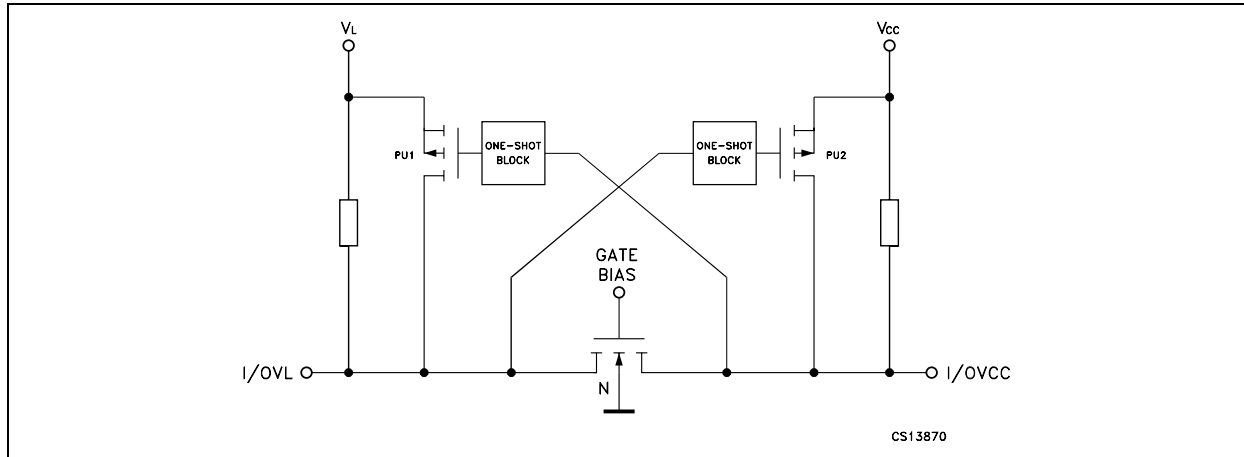
The ST2378E is a $\pm 15\text{KV}$ ESD-protected level translator providing the level shifting necessary to allow data transfer in a multi-voltage system.

BLOCK DIAGRAM



ST2378E

FUNCTIONAL DIAGRAM (1 I/O LINE)



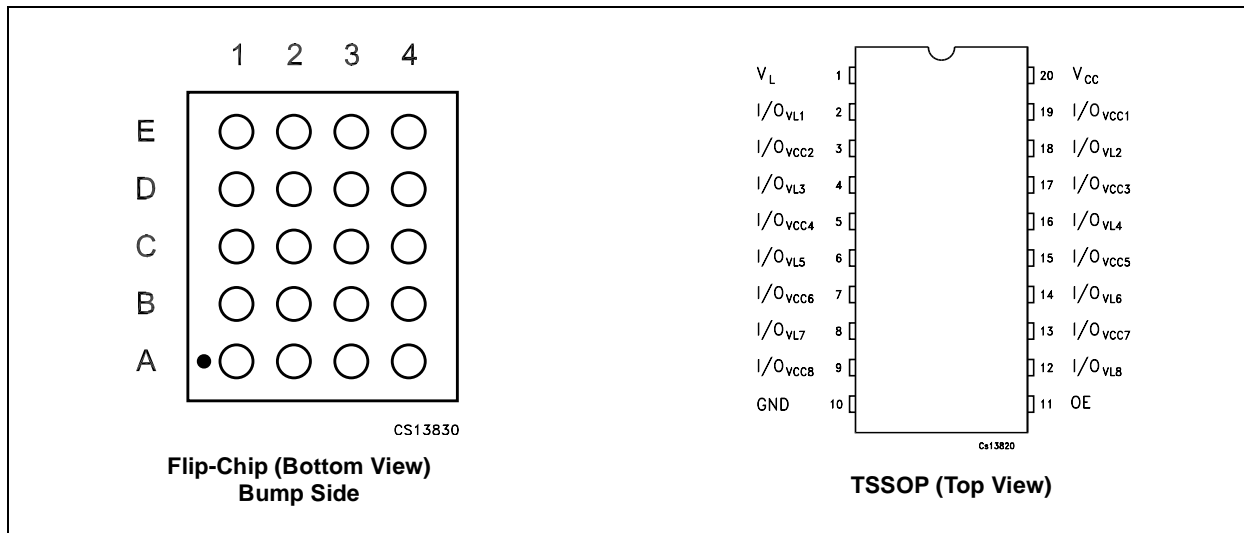
ORDERING CODES

Type	Temperature Range	Package	Comments
ST2378EBJR	-40 to 85 °C	Flip-Chip20 (Tape & Reel)	3000 parts per reel
ST2378ETTR	-40 to 85 °C	TSSOP20 (Tape & Reel)	2500 parts per reel

PIN DESCRIPTION

FLIPCHIP20 PIN N°	TSSOP20 PIN N°	SYMBOL	NAME AND FUNCTION
E2, D1, D2, C1, C2, B1, B2, A1	2, 18, 4, 16, 6, 14, 8, 12	I/O _{VL1} to I/O _{VL8}	Data Inputs/Outputs
E3, D4, D3, C4, C3, B4, B3, A4	19, 3, 17, 5, 15, 7, 13, 9	I/O _{VCC1} to I/O _{VCC8}	Data Inputs/Outputs
A2	11	OE	Output Enable Inputs
A3	10	GND	Ground (0V)
E1	1	V _L	Positive Supply Voltage
E4	20	V _{CC}	Positive Supply Voltage

PIN CONFIGURATION



TRUTH TABLE

Control Pin	Bidirectional Input/Outputs		Thermal Protection
	I/O _{VL}	I/O _{VCC}	
OE			
H ⁽¹⁾	H ⁽¹⁾	H ⁽²⁾	Enabled
H ⁽¹⁾	L	L	Enabled
L	Z	Z	Disabled ⁽³⁾

X=Don't care; Z=High Impedance;

1) High Level V_L Power Supply referred

2) High Level V_{CC} Power Supply referred

3) Thermal Protection disabled reduces the quiescent current consumption I_{TS-VCC}=I_{TS-VL}= 1μA Max at 85°C

ABSOLUTE MAXIMUM RATINGS

Symbol	Parameter	Value	Unit
V _L	Supply Voltage	-0.3 to V _{CC}	V
V _{CC}	Supply Voltage	-0.3 to +7.0	V
V _{OE}	DC Control Input Voltage	-0.3 to +7.0	V
V _{I/OVL}	DC I/O _{VL} Input Voltage (OE = Gnd or V _L)	-0.3 to V _L + 0.3	V
V _{I/OVCC}	DC I/O _{VCC} Input Voltage (OE = Gnd or V _L)	-0.3 to V _{CC} + 0.3	V
I _{IK}	DC Input Diode Current (OE Control Pin)	- 20	mA
I _{IOVL}	DC Output Current	± 25	mA
I _{IOVCC}	DC Output Current	± 25	mA
I _{SCTOUT}	Short Circuit Duration I/O _{VL} , I/O _{VCC} Driven from 40mA Source	Continuous	mA
I _{CCB}	DC V _{CC} or Ground Current	± 100	mA
P _d	Power Dissipation(*)	500	mW
T _{stg}	Storage Temperature	-65 to +150	°C
T _L	Lead Temperature (10 sec)	300	°C

Absolute Maximum Ratings are those values beyond which damage to the device may occur. Functional operation under these conditions is not implied

(*) 500mW: ≅ 65°C derated to 300mW by 10mW/°C: 65°C to 85°C

RECOMMENDED OPERATING CONDITIONS

Symbol	Parameter	Value	Unit
V _L	Supply Voltage	1.71 to V _{CC}	V
V _{CC}	Supply Voltage	1.71 to 5.5	V
V _I	Input Voltage (OE Output Enable Pin, V _L Power Supply referred)	0 to 5.5	V
V _{I/OVL}	I/O _{VL} Voltage	0 to V _L	V
V _{I/OVCC}	I/O _{VCC} Voltage	0 to V _{CC}	V
T _{op}	Operating Temperature	-40 to 85	°C
dt/dv	Input Rise and Fall Time (OE Control Pin) ⁽¹⁾	0 to 10	ns/V
dt/dv	Input Rise and Fall Time (2)	1.71 < V _L < V _{CC} < 5V	0 to 10
		V _{CC} = V _L = 5V	0 to 3

1) V_{OE} from 10% V_L to 90%V_L

2) V_{IOVL} from 10%V_L to 90%V_L; V_{IOVCC} from 10%V_{CC} to 90%V_{CC}

DC SPECIFICATION

Symbol	Parameter	Test Condition			Value					Unit
		V _L (*) (V)	V _{CC} (*) (V)		T _A = 25 °C			-40 to 85 °C		
					Min.	Typ	Max.	Min.	Max.	
V _{IHL}	High Level Input Voltage (I/O _{VL})	1.8	V _L to 5.5		V _L -0.2			V _L -0.2		V
		2.5	V _L to 5.5		0.75V _L			0.75V _L		
		3.3	V _L to 5.5		0.75V _L			0.75V _L		
		5.0	V _L to 5.5		0.75V _L			0.75V _L		
V _{ILL}	Low Level Input Voltage (I/O _{VL})	1.8	V _L to 5.5				0.15		0.15	V
		2.5	V _L to 5.5				0.30		0.30	
		3.3	V _L to 5.5				0.30		0.30	
		5.0	V _L to 5.5				0.30		0.30	
V _{IHC}	High Level Input Voltage (I/O _{VCC})	1.8	V _L to 5.5		V _L -0.2			V _L -0.2		V
		2.5	V _L to 5.5		0.75V _{CC}			0.75V _{CC}		
		3.3	V _L to 5.5		0.75V _{CC}			0.75V _{CC}		
		5.0	V _L to 5.5		0.75V _{CC}			0.75V _{CC}		
V _{ILC}	Low Level Input Voltage (I/O _{VCC})	1.8	V _L to 5.5				0.15		0.15	V
		2.5	V _L to 5.5				0.30		0.30	
		3.3	V _L to 5.5				0.30		0.30	
		5.0	V _L to 5.5				0.30		0.30	
V _{IH-TS}	High Level Input Voltage (OE)	1.8	V _L to 5.5		V _L -0.2			V _L -0.2		V
		2.5	V _L to 5.5		0.75V _L			0.75V _L		
		3.3	V _L to 5.5		0.75V _L			0.75V _L		
		5.0	V _L to 5.5		0.75V _L			0.75V _L		
V _{IL-TS}	Low Level Input Voltage (OE)	1.8	V _L to 5.5				0.15		0.15	V
		2.5	V _L to 5.5				0.25V _L		0.25V _L	
		3.3	V _L to 5.5				0.25V _L		0.25V _L	
		5.0	V _L to 5.5				0.25V _L		0.25V _L	
V _{OHL}	High Level Output Voltage I/O _{VL}	1.8 to 5.5	V _L to 5.5	I _O =-20 μA I/O _{VCC} ≥V _{CC} -0.2	0.67V _L			0.67V _L		V
V _{OLL}	Low Level Output Voltage I/O _{VL}			I _O =1.0 mA I/O _{VCC} ≤0.15V			0.40		0.40	
V _{OHC}	High Level Output Voltage I/O _{VCC}	1.8 to 5.5	V _L to 5.5	I _O =-20 μA I/O _{VL} ≥V _L -0.2	0.67V _{CC}			0.67V _{CC}		V
V _{OLC}	Low Level Output Voltage I/O _{VCC}			I _O =1.0 mA I/O _{VL} ≤0.15V			0.40		0.40	
I _{TSL}	Control Input Leakage Current (OE)	1.8 to 5.5	V _L to 5.5	V _I =GNDor5.5			1		1	μA
I _{TS-LKG}	High Impedance Input Leakage Current (I/O _{VL} , I/O _{VCC})	1.8 to 5.5	V _L to 5.5	OE = GND			1		1	μA
I _{QVCC}	Quiescent Supply Current V _{CC}	1.8 to 5.5	V _L to 5.5	I/O _{VL} , I/O _{VCC} unconnected		0.1	1		10	μA
I _{QVL}	Quiescent Supply Current V _L	1.8 to 5.5	V _L to 5.5	I/O _{VL} , I/O _{VCC} unconnected		13	20		100	μA

Symbol	Parameter	Test Condition			Value					Unit
		V _L (*) (V)	V _{CC} (*) (V)		T _A = 25 °C			-40 to 85 °C		
					Min.	Typ	Max.	Min.	Max.	
I _{TS-VCC}	High Impedance Mode Quiescent Supply Current V _{CC}	1.8 to 5.5	V _L to 5.5	OE= GND			1		1	μA
I _{TS-VL}	High Impedance Mode Quiescent Supply Current V _L	1.8 to 5.5	V _L to 5.5	OE= GND I/O _{VL} = GND or V _L I/O _{VCC} = GND or V _{CC}			1		1	μA

1) Typical values are referred to T_A=25°C

2) Power Supply Range: V_L, V_{CC} 1.8V±5%, 2.5±0.2V, 3.3±0.3V, 5.0±0.5V

5) For normal operation, ensure V_L < (V_{CC} + 0.3V). During power-up, V_L > (V_{CC} + 0.3V) will not damage the device

AC ELECTRICAL CHARACTERISTICS

Symbol	Parameter	Test Condition ⁽⁵⁾		Value			Unit	
		C _L =15pF t _r =t _f ≤ 6ns Driver output R _T ≤ 50Ω ⁽⁸⁾		-40 to +85 °C				
		V _L (V) ⁽²⁾	V _{CC} (V) ⁽²⁾	Min.	Typ. ⁽¹⁾	Max.		
t _{RVCC}	Rise Time I/O _{VCC} ⁽³⁾⁽⁸⁾	1.8	1.8		11	15	ns	
		1.8	5.0		9	15		
t _{FVCC}	Fall Time I/O _{VCC} ⁽³⁾	1.8	1.8		6	15	ns	
		1.8	5.0		10	15		
t _{RVL}	Rise Time I/O _{VL} ⁽³⁾	1.8	1.8		12	15	ns	
		1.8	5.0		10	15		
t _{FVL}	Fall Time I/O _{VL} ⁽³⁾	1.8	1.8		7	15	ns	
		1.8	5.0		7	15		
t _{IOVL-VCC}	Propagation Delay Time ⁽⁴⁾ I/O _{VL-LH} to I/O _{VCC-LH} I/O _{VL-HL} to I/O _{VCC-HL}	t _{PLH}	1.8	1.8		6	15	ns
			1.8	5.0		7	15	
		t _{PHL}	1.8	1.8		5	15	
			1.8	5.0		8	15	
t _{IOVCC-VL}	Propagation Delay Time ⁽⁴⁾ I/O _{VCC-LH} to I/O _{VL-LH} I/O _{VCC-HL} to I/O _{VL-HL}	t _{PLH}	1.8	1.8		2	15	ns
			1.8	5.0		2	15	
		t _{PHL}	1.8	1.8		5	15	
			1.8	5.0		6	15	
t _{PZL} t _{PZH} t _{PLZ} t _{PHZ}	Output Enable and Disable Time	1.8	1.8		38	60	ns	
		1.8	5.0		44	60		
D _R	Maximum Data Rate	1.8	1.8	13			Mbps	
		1.8	5.0	13				
t _{OSLH}	Channel to Channel Skew Time (note 6, 7)	1.8	1.8		0.1	1	ns	
t _{OSHL}		1.8	5.0		0.5	1	ns	

1) Typical values are referred to T_A=25°C

2) Power Supply Range: V_L, V_{CC} 1.8V±5%, 2.5±0.2V, 3.3±0.3V, 5.0±0.5V.

3) Rise Time:10% to 90%, Fall Time 90% to 10%

4) t_{pd}: 50% to 50%

5) For normal operation, ensure V_L < (V_{CC} + 0.3V). During power-up, V_L > (V_{CC} + 0.3V) will not damage the device

6) Skew is defined as the absolute value of the difference between the actual propagation delay for any two outputs of the same device switching in the same direction, either HIGH or LOW (t_{OSLH} = |t_{PLHm} - t_{PLHn}|, t_{OSHL} = |t_{PHLm} - t_{PHLn}|)

7) Each translator equally loaded; parameter guaranteed by design

8) For V_{CC} = V_L = 1.8V, t_r = t_f ≤ 4ns

AC ELECTRICAL CHARACTERISTICS

Symbol	Parameter	Test Condition ⁽⁵⁾		Value			Unit	
		C _L =15pF t _r =t _f ≤ 6ns Driver output R _T ≤ 50Ω		-40 to +85 °C				
		V _L (V) ⁽²⁾	V _{CC} (V) ⁽²⁾	Min.	Typ. ⁽¹⁾	Max.		
t _{RVCC}	Rise Time I/O _{VCC} ⁽³⁾	1.8	2.5		11	15	ns	
		1.8	3.3		10	15		
		2.5	3.3		8	15		
t _{FVCC}	Fall Time I/O _{VCC} ⁽³⁾	1.8	2.5		7	15	ns	
		1.8	3.3		8	15		
		2.5	3.3		6	15		
t _{RVL}	Rise Time I/O _{VL} ⁽³⁾	1.8	2.5		10	15	ns	
		1.8	3.3		9	15		
		2.5	3.3		7	15		
t _{FVL}	Fall Time I/O _{VL} ⁽³⁾	1.8	2.5		6	15	ns	
		1.8	3.3		6	15		
		2.5	3.3		4	15		
t _{IOVL-VCC}	Propagation Delay Time ⁽⁴⁾ I/O _{VL-LH} to I/O _{VCC-LH} I/O _{VL-HL} to I/O _{VCC-HL}	t _{PLH}	1.8	2.5		7	15	ns
			1.8	3.3		7	15	
			2.5	3.3		4	15	
		t _{PHL}	1.8	2.5		5	15	
			1.8	3.3		6	15	
			2.5	3.3		4	15	
t _{IOVCC-VL}	Propagation Delay Time ⁽⁴⁾ I/O _{VCC-LH} to I/O _{VL-LH} I/O _{VCC-HL} to I/O _{VL-HL}	t _{PLH}	1.8	2.5		2	15	ns
			1.8	3.3		2	15	
			2.5	3.3		2	15	
		t _{PHL}	1.8	2.5		5	15	
			1.8	3.3		5	15	
			2.5	3.3		4	15	
t _{PZL} t _{PZH} t _{PLZ} t _{PHZ}	Output Enable and Disable Time	1.8	2.5		38	60	ns	
		1.8	3.3		38	60		
		2.5	3.3		23	40		
D _R	Maximum Data Rate	1.8	2.5	13			Mbps	
		1.8	3.3	13				
		2.5	3.3	13				

1) Typical values are referred to T_A=25°C

2) Power Supply Range: V_L, V_{CC} 1.8V±5%, 2.5±0.2V, 3.3±0.3V, 5.0±0.5V.

3) Rise Time:10% to 90%, Fall Time 90% to 10%

4) t_{pd}: 50% to 50%

5) For normal operation, ensure V_L < (V_{CC} + 0.3V). During power-up, V_L > (V_{CC} + 0.3V) will not damage the device

6) Skew is defined as the absolute value of the difference between the actual propagation delay for any two outputs of the same device

switching in the same direction, either HIGH or LOW (t_{OSLH} = |t_{PLHm} - t_{PLHn}|, t_{OSHL} = |t_{PHLm} - t_{PHLn}|)

7) Each translator equally loaded; parameter guaranteed by design

AC ELECTRICAL CHARACTERISTICS - OPEN-DRAIN DRIVING

Symbol	Parameter	Test Condition ⁽⁵⁾		Value			Unit	
		C _L =15pF Driver output R _T ≤ 50Ω		-40 to +85 °C				
		V _L (V) ⁽²⁾	V _{CC} (V) ⁽²⁾	Min.	Typ. ⁽¹⁾	Max.		
t _{RVCC}	Rise Time I/O _{VCC} ⁽³⁾	1.8	1.8		210	300	ns	
		1.8	5.0		59	150		
t _{FVCC}	Fall Time I/O _{VCC} ⁽³⁾	1.8	1.8		12	30	ns	
		1.8	5.0		20	30		
t _{RVL}	Rise Time I/O _{VL} ⁽³⁾	1.8	1.8		210	300	ns	
		1.8	5.0		96	150		
t _{FVL}	Fall Time I/O _{VL} ⁽³⁾	1.8	1.8		11	30	ns	
		1.8	5.0		11	30		
t _{IOVL-VCC}	Propagation Delay Time ⁽⁴⁾ I/O _{VL-LH} to I/O _{VCC-LH} I/O _{VL-HL} to I/O _{VCC-HL}	t _{PLH}	1.8	1.8		210	300	ns
			1.8	5.0		100	150	
		t _{PHL}	1.8	1.8		7	20	
			1.8	5.0		14	20	
t _{IOVCC-VL}	Propagation Delay Time ⁽⁴⁾ I/O _{VCC-LH} to I/O _{VL-LH} I/O _{VCC-HL} to I/O _{VL-HL}	t _{PLH}	1.8	1.8		210	300	ns
			1.8	5.0		57	150	
		t _{PHL}	1.8	1.8		7	20	
			1.8	5.0		8	20	
D _R	Maximum Data Rate	1.8	1.8	800			Kbps	
		1.8	5.0	800				
t _{OSLH}	Channel to Channel Skew Time (note 6, 7)	1.8	1.8		10	20	ns	
t _{OSHL}		1.8	5.0		2	10	ns	

1) Typical values are referred to T_A=25°C

2) Power Supply Range: V_L, V_{CC} 1.8V±5%, 2.5±0.2V, 3.3±0.3V, 5.0±0.5V.

3) Rise Time:10% to 90%, Fall Time 90% to 10%

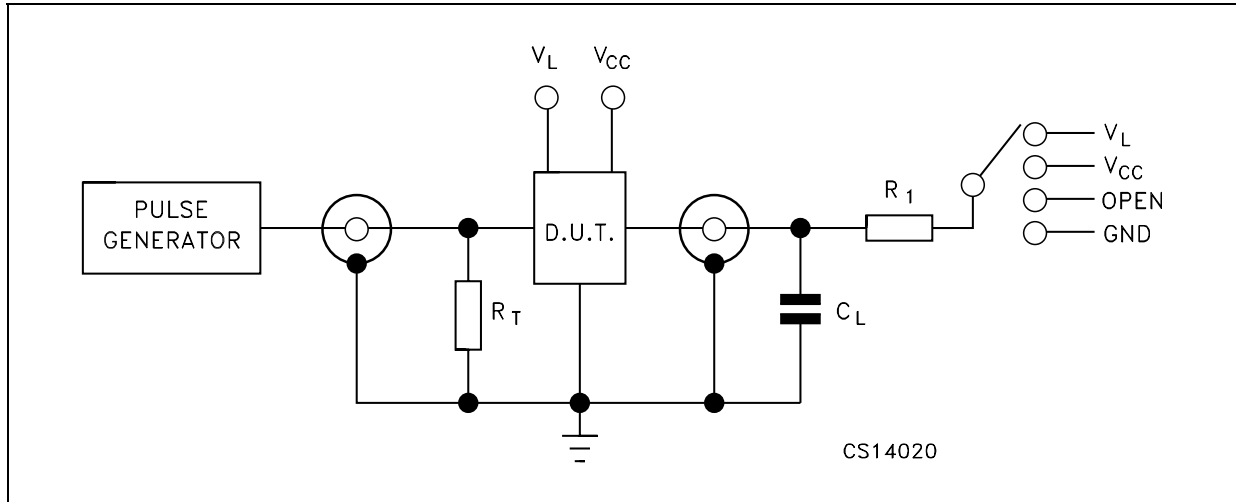
4) tpd: 50% to 50%

5) For normal operation, ensure V_L < (V_{CC} + 0.3V). During power-up, V_L > (V_{CC} + 0.3V) will not damage the device

6) Skew is defined as the absolute value of the difference between the actual propagation delay for any two outputs of the same device switching in the same direction, either HIGH or LOW (t_{OSLH} = |t_{PLHm} - t_{PLHn}|, t_{OSHL} = |t_{PHLm} - t_{PHLn}|)

7) Each translator equally loaded; parameter guaranteed by design

TEST CIRCUIT



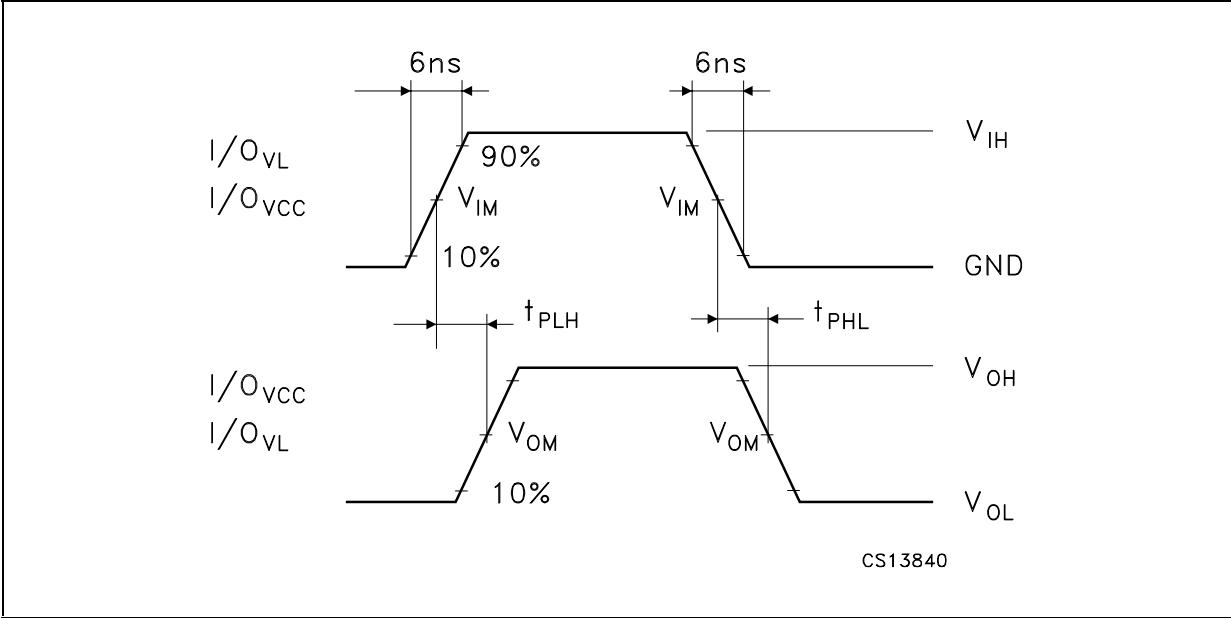
TEST	Switch		
	Driving I/O _{V_L}	Driving I/O _{V_{CC}}	Open Drain Driving
t _{PLH} , t _{PHL}	Open	Open	Open
t _{PZL} , t _{PLZ}	V _{CC}	V _L	-
t _{PZH} , t _{PHZ}	Gnd	Gnd	-

C_L = 15/50pF or equivalent (includes jig and probe capacitance)
 R₁ = 1KΩ or equivalent
 R_T = Z_{OUT} of pulse generator (typically 50Ω)

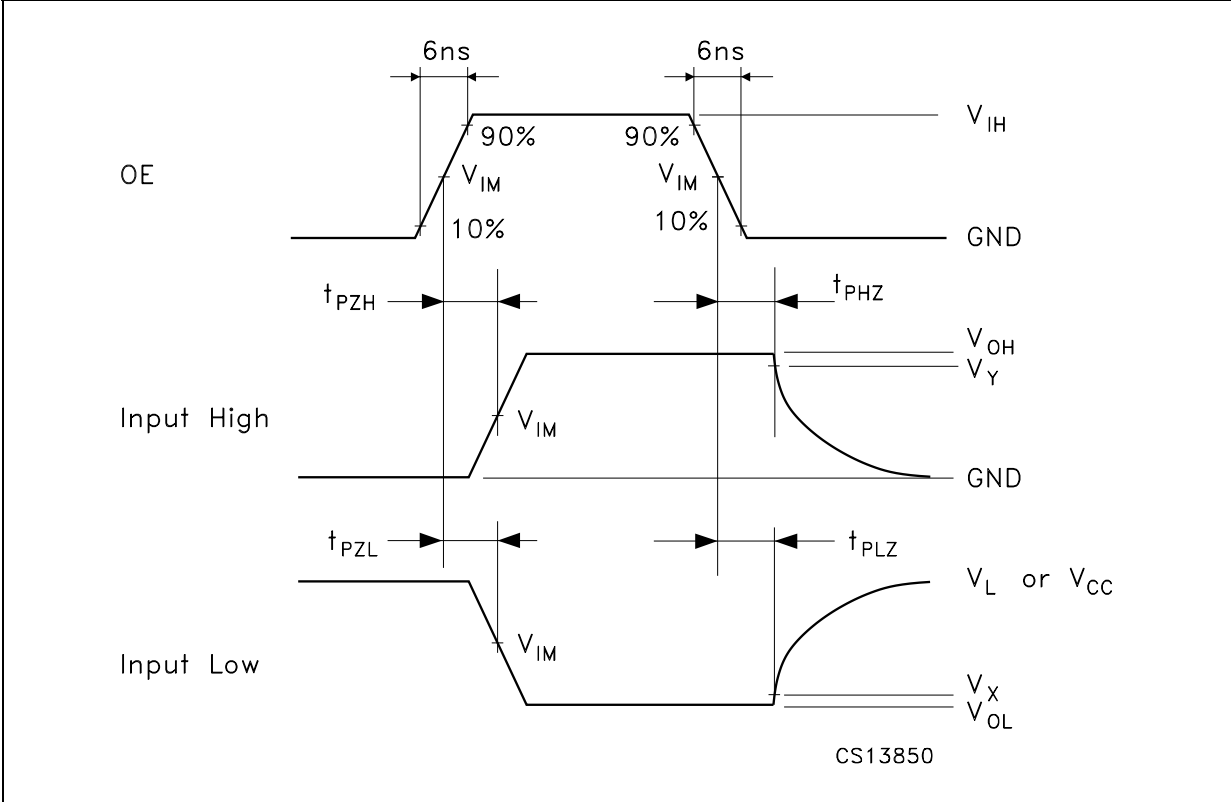
WAVEFORM SYMBOL VALUE

Symbol	Driving I/O _{V_L}		Driving I/O _{V_{CC}}	
	1.8V ≤ V _L ≤ V _{CC} ≤ 2.5V	3.3V ≤ V _L ≤ V _{CC} ≤ 5.0V	1.8V ≤ V _L ≤ V _{CC} ≤ 2.5V	3.3V ≤ V _L ≤ V _{CC} ≤ 5.0V
V _{IH}	V _L	V _L	V _{CC}	V _{CC}
V _{IM}	50% V _L	50% V _L	50% V _{CC}	50% V _{CC}
V _{OM}	50% V _{CC}	50% V _{CC}	50% V _{CC}	50% V _{CC}
V _X	V _{OL} + 0.15V	V _{OL} + 0.3V	V _{OL} + 0.15V	V _{OL} + 0.3V
V _Y	V _{OH} - 0.15V	V _{OH} - 0.3V	V _{OH} - 0.15V	V _{OH} - 0.3V

WAVEFORM 1: PROPAGATION DELAY (f=1MHz; 50% duty cycle)

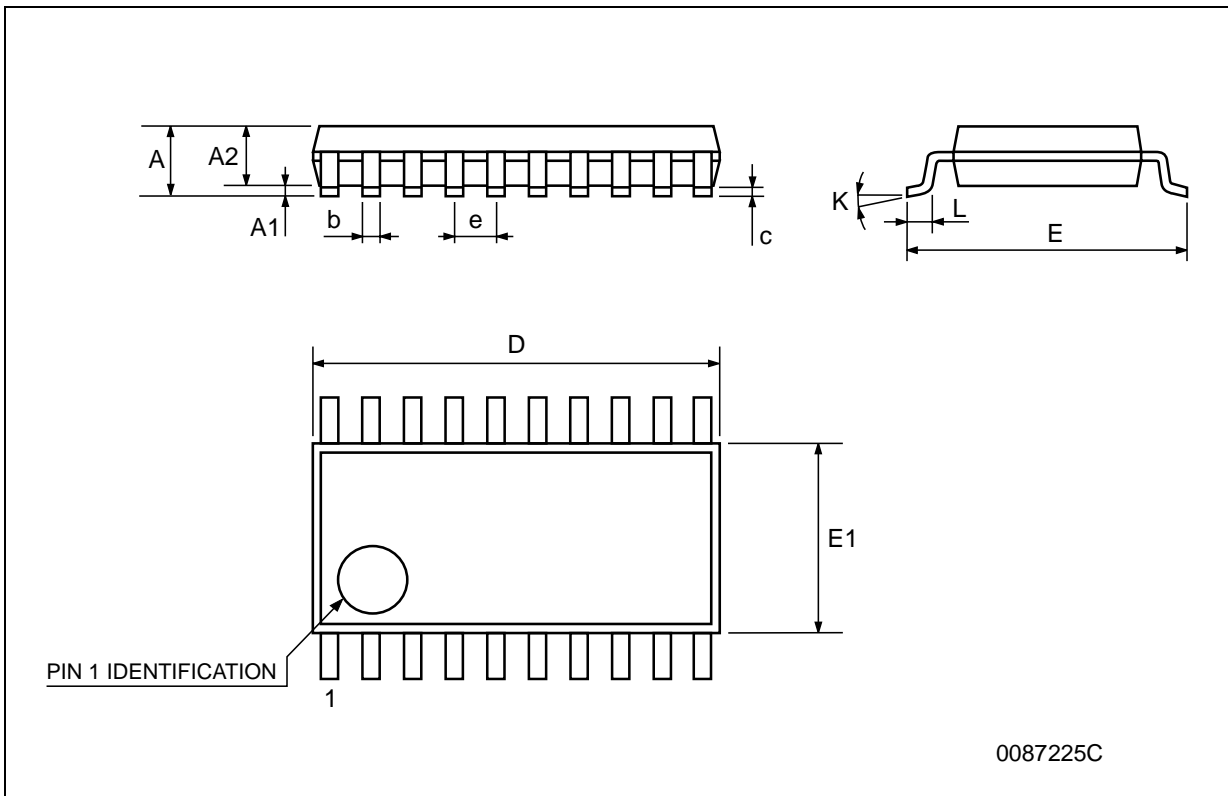


WAVEFORM 2: OUTPUT ENABLE AND DISABLE TIME (f=1MHz; 50% duty cycle)



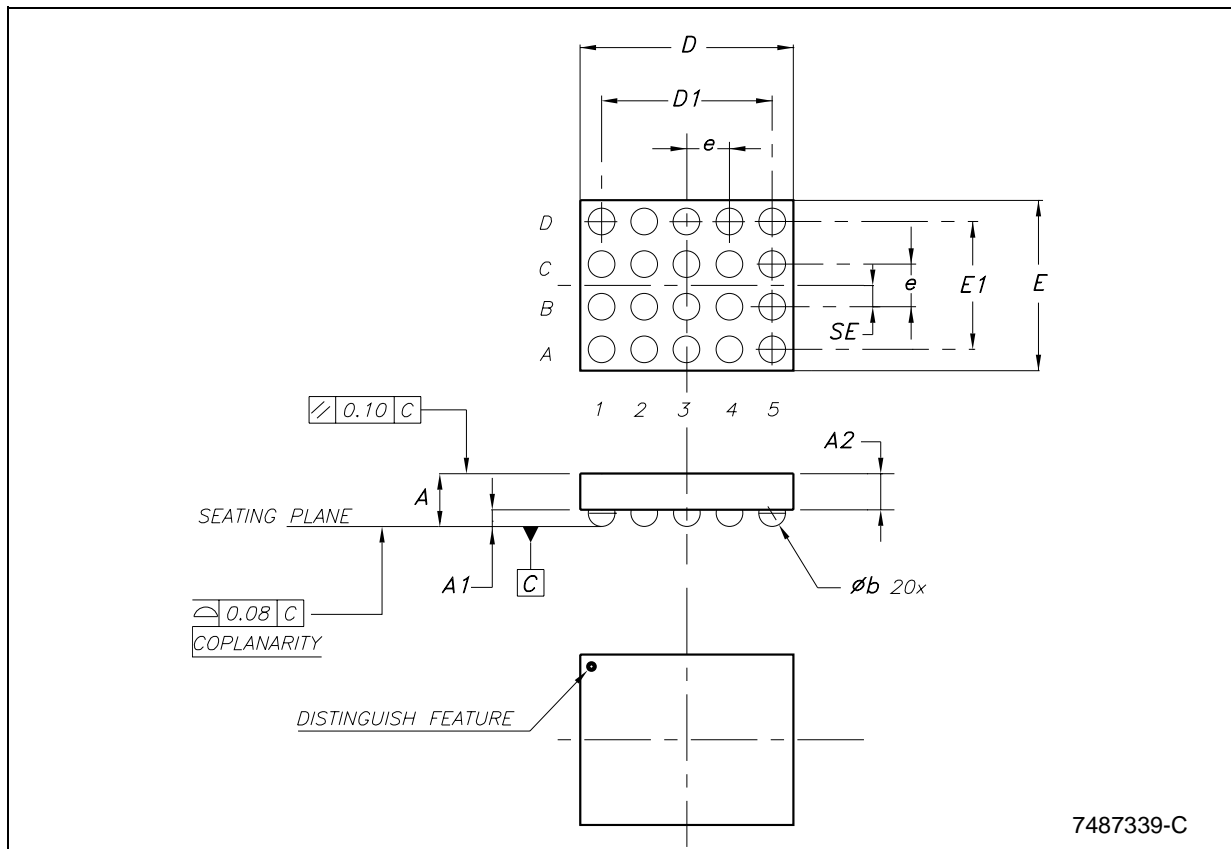
TSSOP20 MECHANICAL DATA

DIM.	mm.			inch		
	MIN.	TYP	MAX.	MIN.	TYP.	MAX.
A			1.2			0.047
A1	0.05		0.15	0.002	0.004	0.006
A2	0.8	1	1.05	0.031	0.039	0.041
b	0.19		0.30	0.007		0.012
c	0.09		0.20	0.004		0.0079
D	6.4	6.5	6.6	0.252	0.256	0.260
E	6.2	6.4	6.6	0.244	0.252	0.260
E1	4.3	4.4	4.48	0.169	0.173	0.176
e		0.65 BSC			0.0256 BSC	
K	0°		8°	0°		8°
L	0.45	0.60	0.75	0.018	0.024	0.030



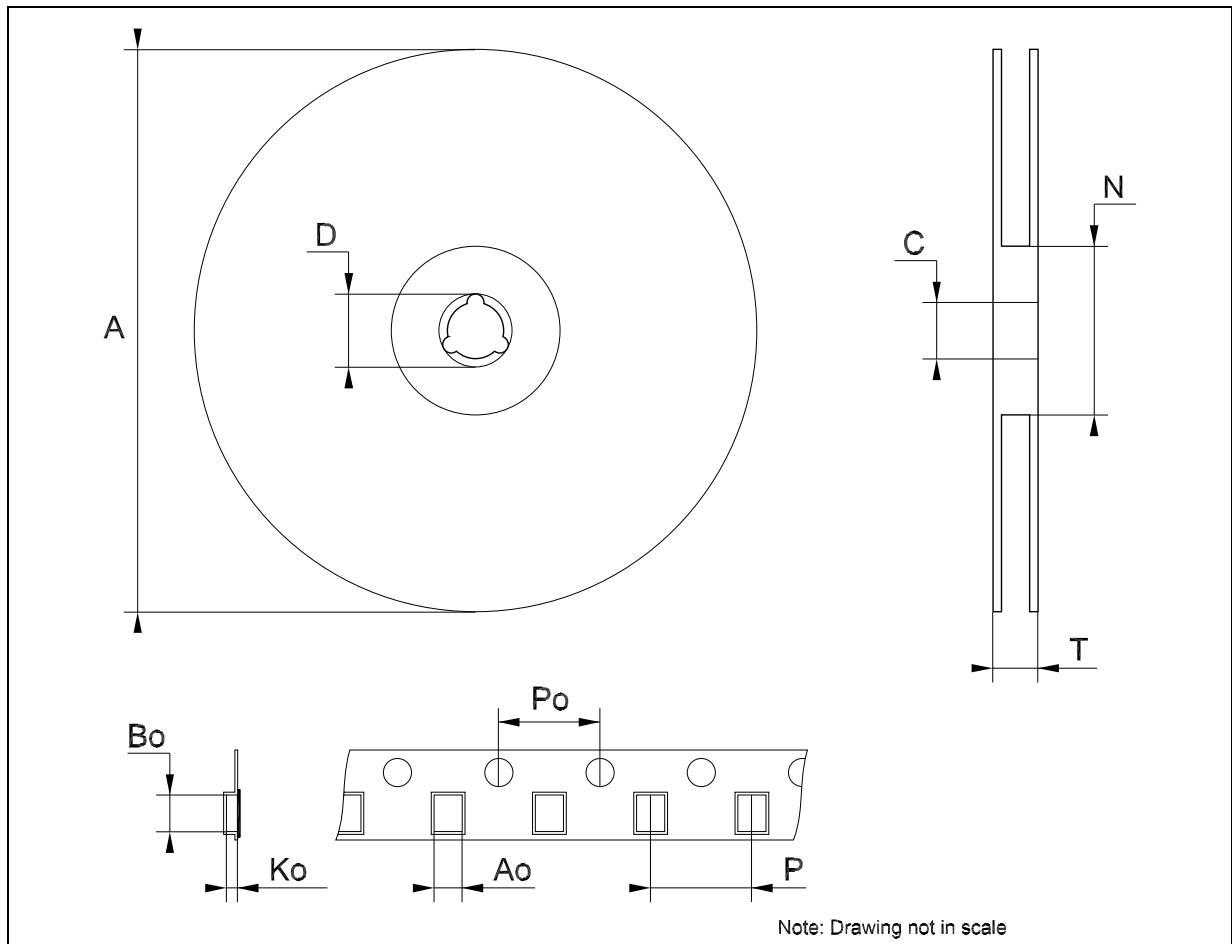
Flip-Chip20 MECHANICAL DATA

DIM.	mm.			mils		
	MIN.	TYP	MAX.	MIN.	TYP.	MAX.
A	0.81	0.89	1.00	31.9	35.0	39.4
A1	0.15	0.24	0.35	5.9	9.4	13.8
A2		0.65			25.6	
b	0.25	0.30	0.35	9.8	11.8	13.8
D	2.41	2.46	2.51	94.9	96.9	98.8
D1		2.00			78.7	
E	1.93	1.98	2.03	76.0	78.0	79.9
E1		1.5			59.1	
e		0.50			19.7	
SE		0.25			9.8	



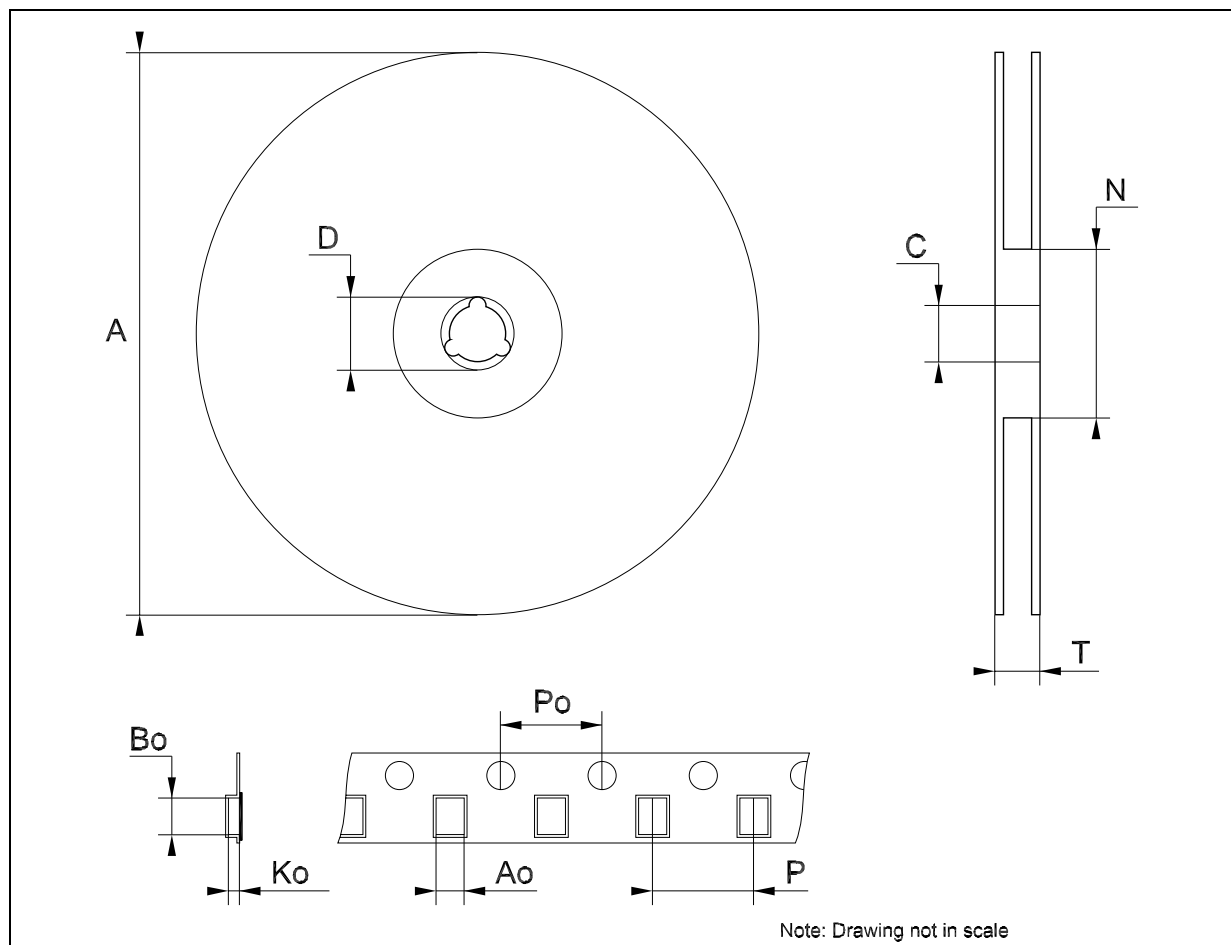
Tape & Reel Flip-Chip20 MECHANICAL DATA

DIM.	mm.			inch		
	MIN.	TYP	MAX.	MIN.	TYP.	MAX.
A			180			7.086
C	12.8		13.2	0.504		0.519
D	20.2			0.795		
N	60			2.362		
T			14.4			0.567
Ao	2.13	2.23	2.33	0.084	0.088	0.092
Bo	2.62	2.72	2.82	0.103	0.107	0.111
Ko	1.05	1.15	1.25	0.041	0.045	0.049
Po	3.9		4.1	0.153		0.161
P	3.9		4.1	0.153		0.161



Tape & Reel TSSOP20 MECHANICAL DATA

DIM.	mm.			inch		
	MIN.	TYP	MAX.	MIN.	TYP.	MAX.
A			330			12.992
C	12.8		13.2	0.504		0.519
D	20.2			0.795		
N	60			2.362		
T			22.4			0.882
Ao	6.8		7	0.268		0.276
Bo	6.9		7.1	0.272		0.280
Ko	1.7		1.9	0.067		0.075
Po	3.9		4.1	0.153		0.161
P	11.9		12.1	0.468		0.476



Information furnished is believed to be accurate and reliable. However, STMicroelectronics assumes no responsibility for the consequences of use of such information nor for any infringement of patents or other rights of third parties which may result from its use. No license is granted by implication or otherwise under any patent or patent rights of STMicroelectronics. Specifications mentioned in this publication are subject to change without notice. This publication supersedes and replaces all information previously supplied. STMicroelectronics products are not authorized for use as critical components in life support devices or systems without express written approval of STMicroelectronics.

The ST logo is a registered trademark of STMicroelectronics
All other names are the property of their respective owners

© 2004 STMicroelectronics - All Rights Reserved
STMicroelectronics GROUP OF COMPANIES

Australia - Belgium - Brazil - Canada - China - Czech Republic - Finland - France - Germany - Hong Kong - India - Israel - Italy - Japan -
Malaysia - Malta - Morocco - Singapore - Spain - Sweden - Switzerland - United Kingdom - United States.
<http://www.st.com>