



MAXIM

+10V Precision Voltage Reference

MAX674

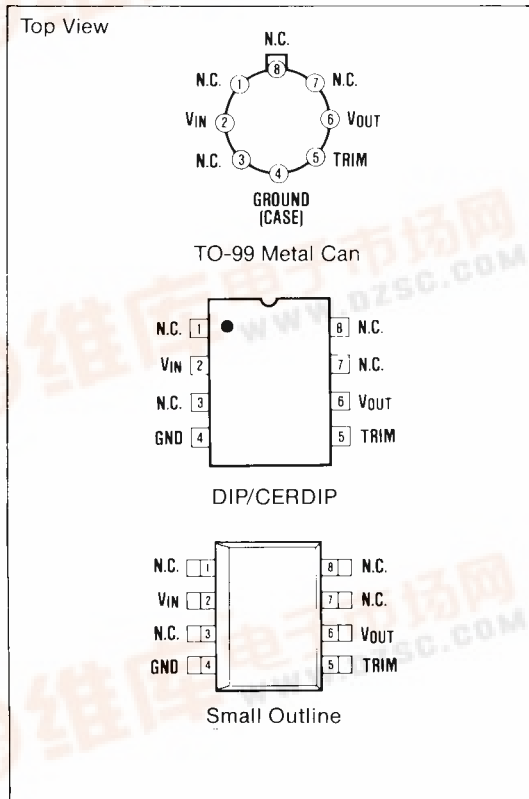
General Description

The MAX674 is a precision voltage reference that is pretrimmed to within $\pm 0.15\%$ of 10V. The reference features excellent temperature stability (as low as 12.0ppm/ $^{\circ}\text{C}$ guaranteed), low current drain and low noise. It is supplied in the space-saving narrow Small Outline package, as well as, the standard 8-pin TO-99 Metal Can, Plastic DIP and CERDIP packages.

Applications

- A/D Converters
- D/A Converters
- Digital Voltmeters
- Voltage Regulators
- Threshold Detectors

Pin Configuration



Features

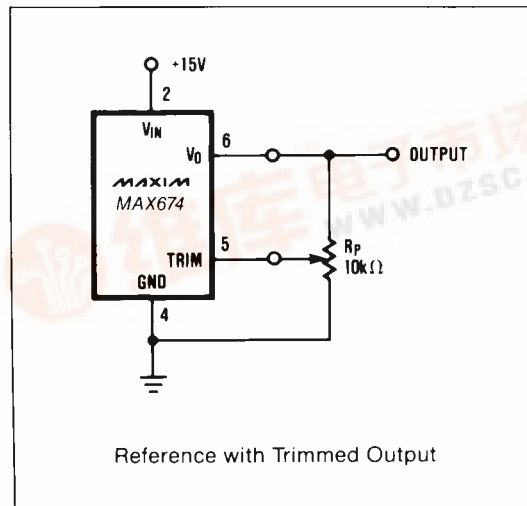
- ◆ Pretrimmed to +10V, $\pm 0.15\%$
- ◆ Excellent Temperature Stability: 12ppm/ $^{\circ}\text{C}$
- ◆ Low Noise: $20\mu\text{V}_{\text{p-p}}$
- ◆ Low Supply Current: 1.4mA Max
- ◆ Short-Circuit Proof
- ◆ Load Regulation 0.001%/mA
- ◆ Pin-For-Pin Compatible with REF01

Ordering Information

PART	PACKAGE*	TEMP. COEFFICIENT ppm/ $^{\circ}\text{C}$	INITIAL ERROR mV
TEMP. RANGE: 0°C to $+70^{\circ}\text{C}$			
MAX674CTV	TO-99	12	15
MAX674CPA	Plastic DIP	12	15
MAX674CSA	Narrow SO	12	15
TEMP. RANGE: -40°C to $+85^{\circ}\text{C}$			
MAX674ETV	TO-99	15	15
MAX674EJA	CERDIP	15	15
MAX674EPA	Plastic DIP	15	15
MAX674ESA	Narrow SO	15	15
TEMP. RANGE: -55°C to $+125^{\circ}\text{C}$			
MAX674MTV	TO-99	20	15
MAX674MJA	CERDIP	20	15

*All devices — 8-pin packages

Typical Operating Circuit



+10V Precision Voltage Reference

ABSOLUTE MAXIMUM RATINGS

Input Voltage	40V	Operating Temperature Range	
Power Dissipation		MAX674C	0°C to +70°C
TO-99 (TV) (Derate at 7.1mW/°C above +80°C)	500mW	MAX674E	-40°C to +85°C
CERDIP (J) (Derate at 6.7mW/°C above +75°C)	500mW	MAX674M	-55°C to +125°C
Plastic DIP (P) (Derate at 5.6mW/°C above +36°C)	500mW	Lead Temperature (Soldering, 60 sec)	+300°C
Narrow Small Outline (S)		DICE Junction Temperature (T _j)	-65°C to +150°C
(Derate at 5.0mW/°C above +55°C)	300mW	Output Short-Circuit Duration	
Storage Temperature Range	-65°C to +150°C	(to Ground or V _{IN})	Indefinite

Stresses above those listed under "Absolute Maximum Ratings" may cause permanent damage to the device. These are stress ratings only, and functional operation of the device at these or any other conditions above those indicated in the operational sections of the specification is not implied. Exposure to absolute maximum rating conditions for extended periods may affect the device reliability.

ELECTRICAL CHARACTERISTICS (V_{IN} = +15V, T_A = +25°C, unless otherwise noted.)

PARAMETER	SYMBOL	CONDITIONS	MIN	TYP	MAX	UNITS
Output Voltage Tolerance		I _L = 0mA			±15	mV
Output Voltage Change with Temperature	TCV _O	MAX674CTV/CPA/CSA MAX674ETV/EJA/EPA/ESA MAX674MTV/MJA			12 15 20	ppm/°C
Output Adjustment Range	V _{TRIM}	R _p = 10	±300	±600		mV
Line Regulation (Note 1)		V _{IN} = 13V to 33V		0.006	0.01	%/V
Load Regulation (Note 1)		I _L = 0 to 10mA		0.001	0.002	%/mA
Turn-on Settling Time	t _{ON}	To ±0.1% of final value		5		μs
Quiescent Supply Current	I _Q	No load		750	1400	μA
Noise (Note 2)	e _n p-p	0.1Hz to 10Hz		20	30	μV _{p-p}
Sink Current	I _S		-0.3	-0.5		mA
Short-Circuit Current	I _{SC}	V _O = 0		30		mA

Note 1: Line and Load Regulation specifications include the effect of self heating.

Note 2: Noise is sample tested.

+ 10V Precision Voltage Reference

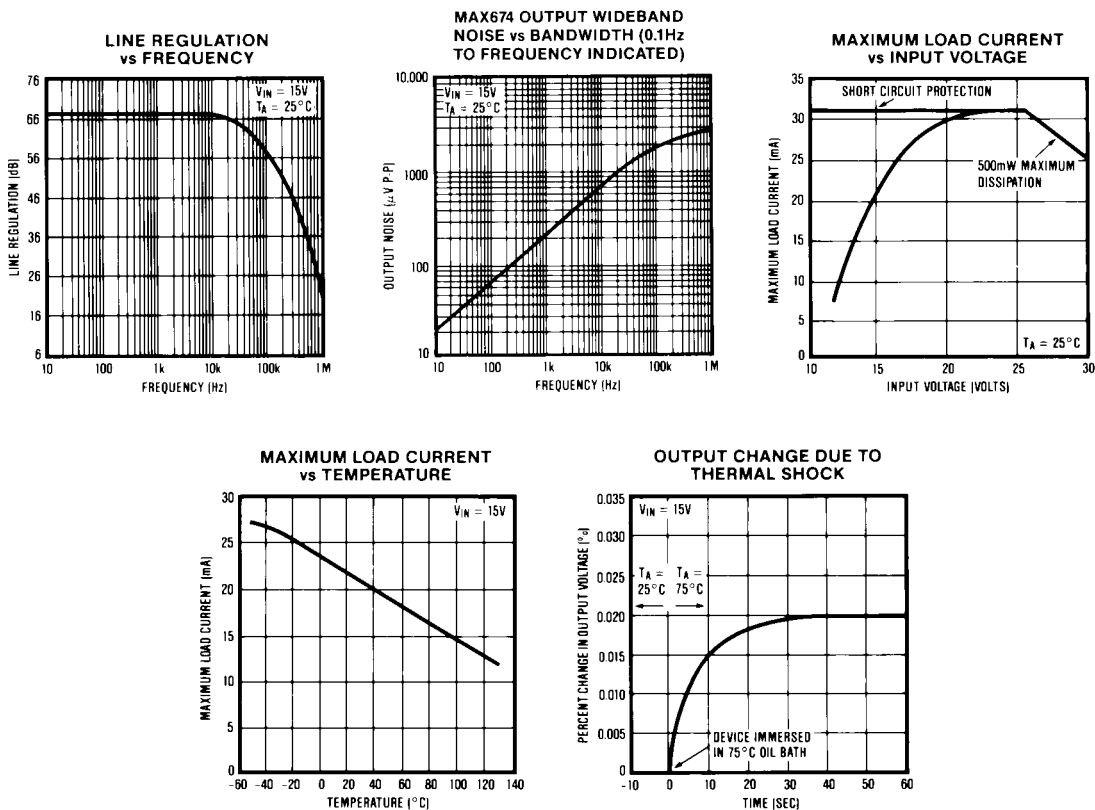
Output Adjustment

The MAX674 trim terminal can be used to adjust the output voltage over a $10V \pm 300mV$ range. This feature allows system errors to be trimmed by setting the reference to a voltage other than 10V such as 10.240V for binary applications (see "Typical Operating Circuit"

on first page). The trim terminal may, of course, be left open if no adjustment is needed.

Adjustment of the output does not significantly affect the temperature performance of the device. The temperature coefficient change is approximately 0.7ppm/°C for 100mV of output adjustment from its initial value.

Typical Operating Characteristics



+10V Precision Voltage Reference

Typical Applications

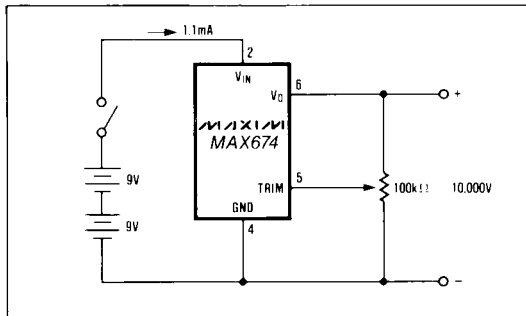


Figure 2. Precision Calibration Standard

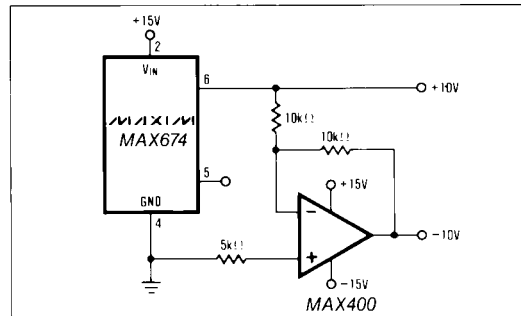


Figure 3. +10V Reference

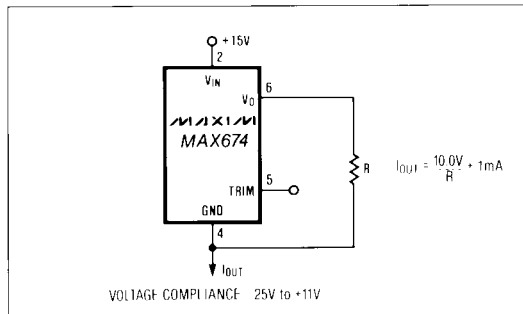
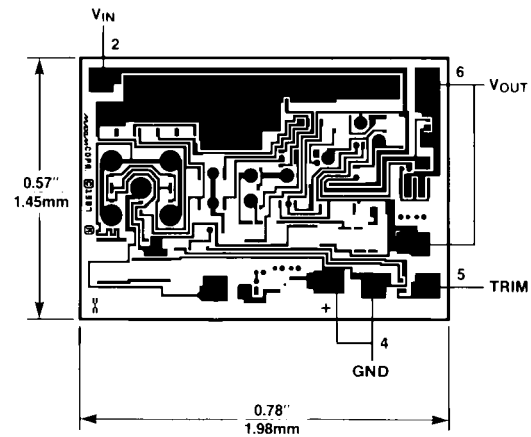


Figure 4. Current Source

Chip Topography



Maxim cannot assume responsibility for use of any circuitry other than circuitry entirely embodied in a Maxim product. No circuit patent licenses are implied. Maxim reserves the right to change the circuitry and specifications without notice at any time.