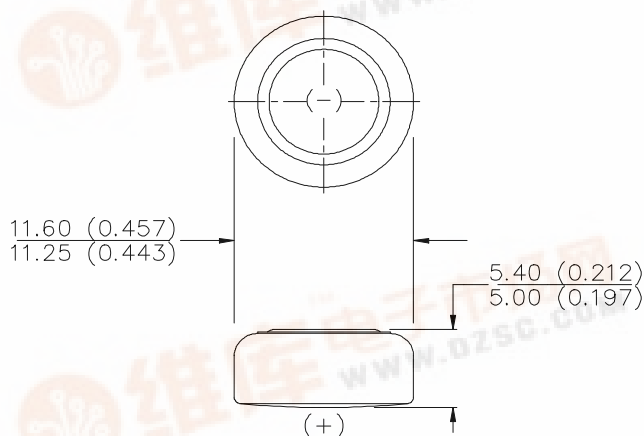


EVEREADY BATTERY CO. 1-800-383-7323 / USA  
Internet: www.energizer.com 1-800-383-7323 / CANADA  
+ 44 (0) 208 920 2306 / EUROPE

## ENERGIZER NO. EPX76



Industry Standard Dimensions in mm (inches)



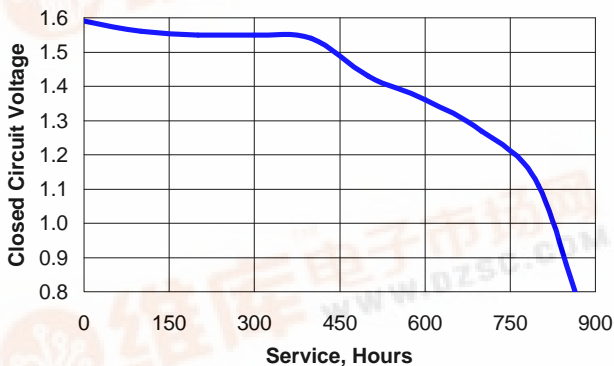
DESIGNED SPECIFICALLY FOR PHOTO USE

**Chemical System:** Silver Oxide (Zn/Ag<sub>2</sub>O)

**Designation:** ANSI / NEDA-1107SOP, IEC-SR44  
**Battery Voltage:** 1.55 Volts  
**Average Weight:** 2.3 grams (0.08 oz.)  
**Volume:** 0.57 cubic centimeters (0.035 cubic inch)  
**Average Capacity:** 200 mAh to 0.9 volts  
 (Rated at 6.5k ohms continuous at 21°C)

### TYPICAL DISCHARGE CURVE

Simulated Test @ 21°C (70°F)



Simulated Application Test  
Estimated Average Service at 21°C (70°F)

Schedule:	Typical Drains at 1.55V (milliamperes)	Load (ohms)	Cutoff Voltage
			0.9V
24 hours/day	0.238	6,500	840 Hours

**INTERNAL RESISTANCE:** Closed circuit voltage no less than 1.30 volts on a load of 100 ohms at 21°C (70°F) for 0.1 to 2.0 seconds.

### Important Notice

This data sheet contains information specific to batteries manufactured at the time of its publication.

**Contents herein do not constitute a warranty.**

Copyright © Eveready Battery Co. Inc. - All Rights Reserved

