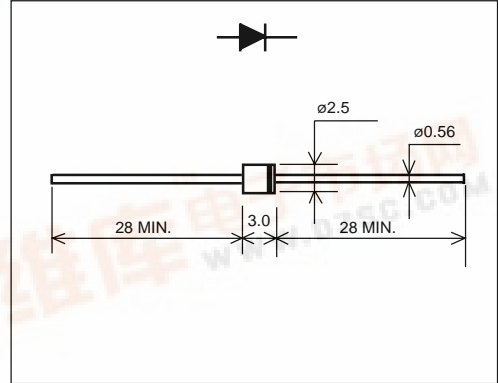


# ERA22 (0.5A)

(200V to 1000V / 0.5A)

## FAST RECOVERY DIODE

### Outline drawings, mm



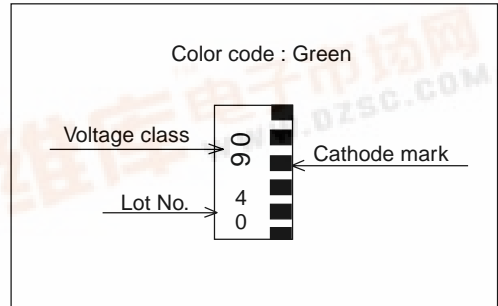
### Features

- Ultra small package, possible for 5mm pitch automatic insertion
- High voltage by mesa design
- High reliability

### Applications

- High speed switching

### Marking



### Maximum ratings and characteristics

- Absolute maximum ratings

Item	Symbol	Conditions	Rating					Unit
			-02	-04	-06	-08	-10	
Repetitive peak reverse voltage	$V_{RRM}$		200	400	600	800	1000	V
Average forward current	$I_{F(AV)}$	Resistive load ( $T_a=40^\circ\text{C}$ )	0.5					A
Surge current	$I_{FSM}$	Sine wave 10ms	10					A
Operating junction temperature	$T_j$		-40 to +140					$^\circ\text{C}$
Storage temperature	$T_{stg}$		-40 to +140					$^\circ\text{C}$

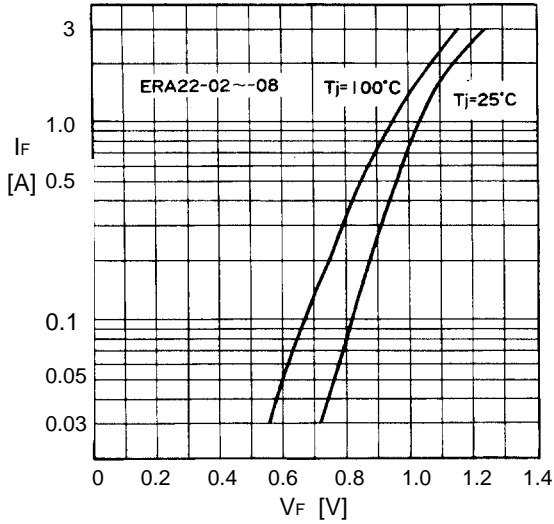
- Electrical characteristics ( $T_a=25^\circ\text{C}$  Unless otherwise specified)

Item	Symbol	Conditions	Max.	Unit
Forward voltage drop	$V_{FM}$	$I_{FM}=0.5\text{A}$	1.5	V
Reverse current	$I_{RRM}$	$V_R=V_{RRM}$	10	$\mu\text{A}$
Reverse recovery time	$t_{rr}$	$I_F=0.1\text{A}, I_R=0.1\text{A}$	0.4	$\mu\text{s}$

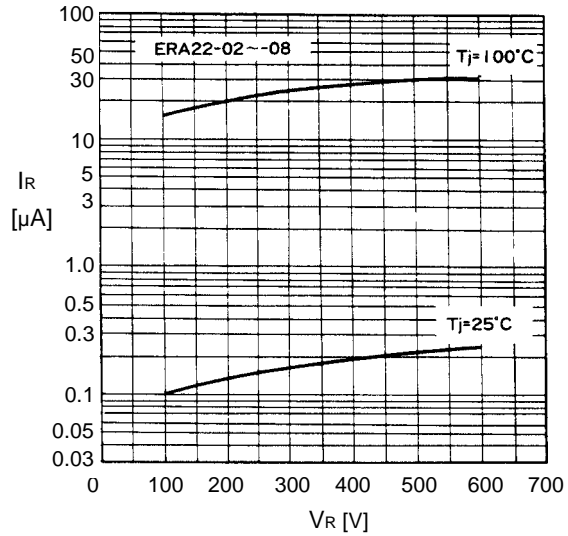


■ Characteristics

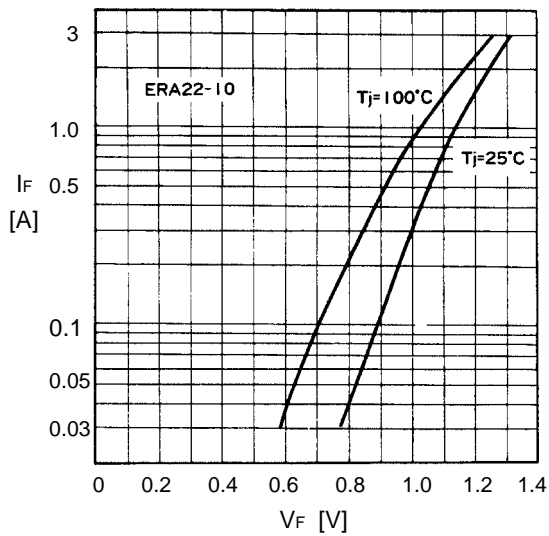
Forward characteristics



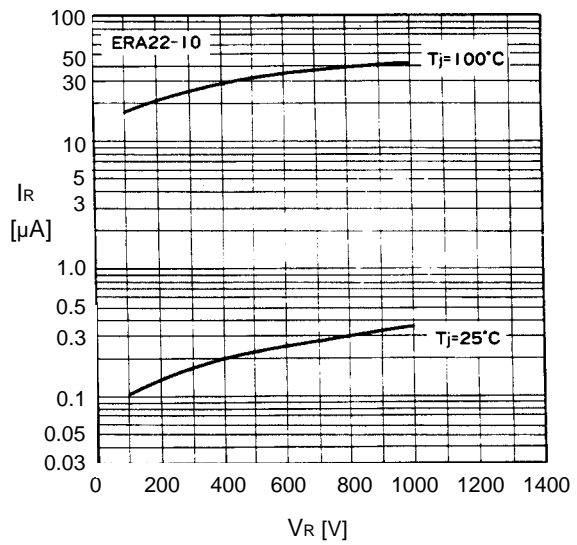
Reverse characteristics



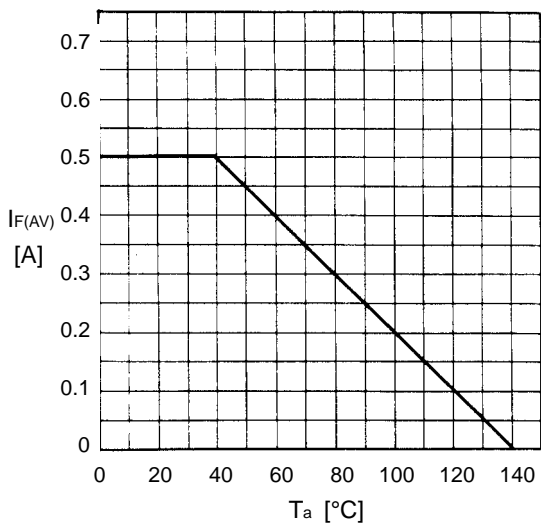
Forward characteristics



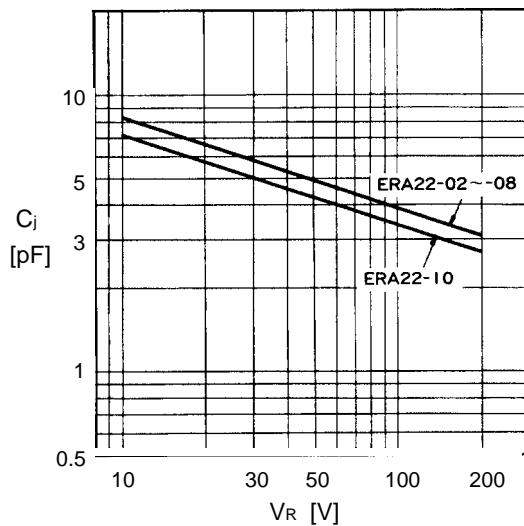
Reverse characteristics



Current derating ( $I_{F(AV)}-T_a$ )



Junction capacitance characteristics



**(200V to 1000V / 0.5A )**

**ERA22(0.5A)**

