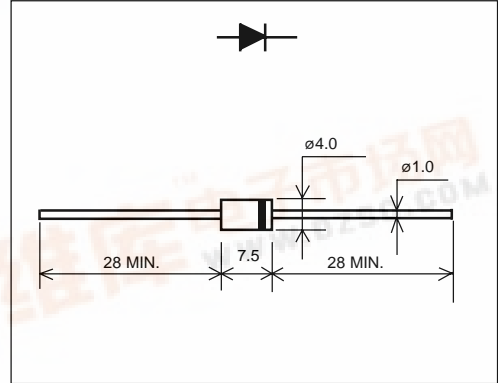


ERC25 (1.2A)

(400 to 600V / 1.2A)

FAST RECOVERY DIODE

Outline drawings, mm



Features

- High voltage by mesa design
- High reliability

Applications

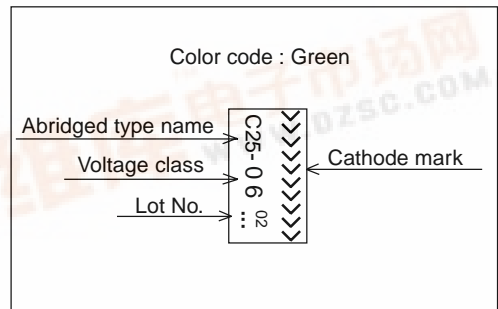
- High speed switching

Maximum ratings and characteristics

- Absolute maximum ratings

Item	Symbol	Conditions	Rating		Unit
			-04	-06	
Repetitive peak reverse voltage	V_{RRM}		400	600	V
Average forward current	$I_{F(AV)}$	Resistive load ($T_a=40^{\circ}C$)	1.2		A
Surge current	I_{FSM}	Sine wave 10ms	50		A
Operating junction temperature	T_j		-40 to +125		$^{\circ}C$
Storage temperature	T_{stg}		-40 to +125		$^{\circ}C$

Marking



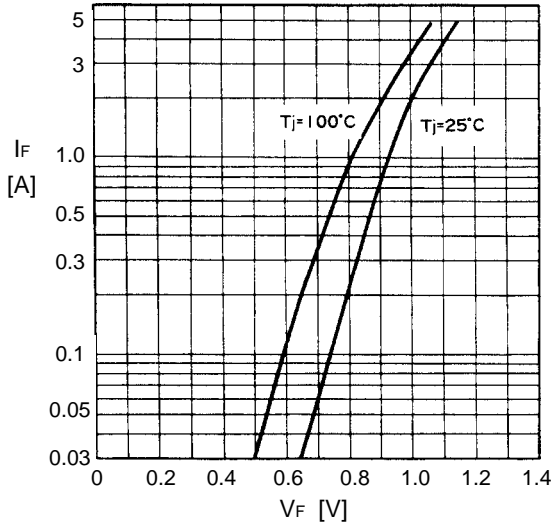
- Electrical characteristics ($T_a=25^{\circ}C$ Unless otherwise specified)

Item	Symbol	Conditions	Max.	Unit
Forward voltage drop	V_{FM}	$I_{FM}=1.2A$	1.1	V
Reverse current	I_{RRM}	$V_R=V_{RRM}$	10	μA
Reverse recovery time	t_{rr}	$I_F=0.1A, I_R=0.1A$	0.4	μs

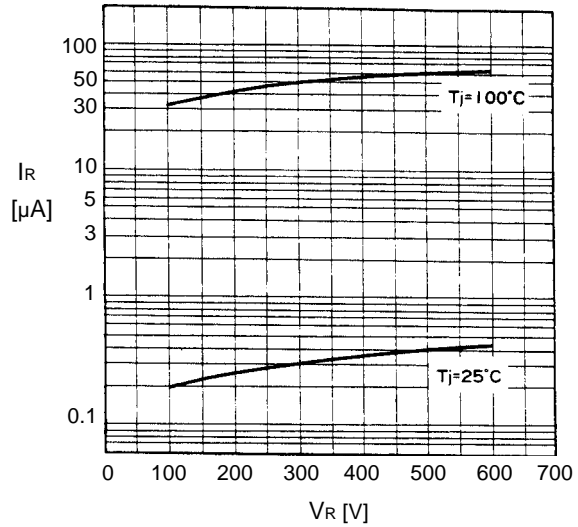


■ Characteristics

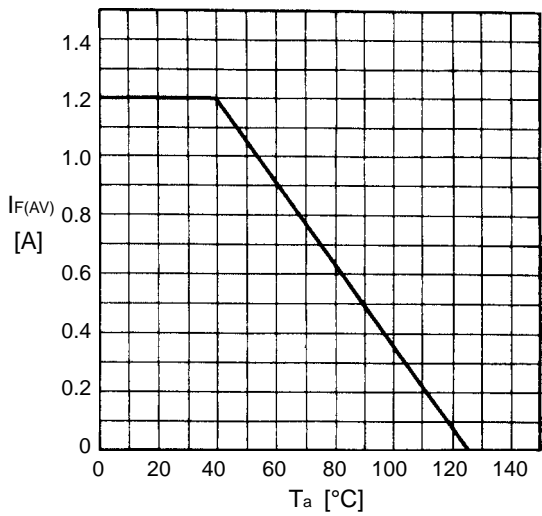
Forward characteristics



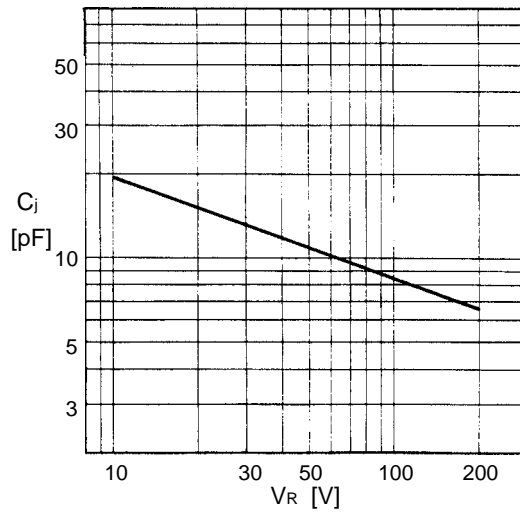
Reverse characteristics



Current derating ($I_{F(AV)}-T_a$)



Junction capacitance characteristics



Surge capability

