



DC COMPONENTS CO., LTD.

RECTIFIER SPECIALISTS

**ESM101
THRU
ESM106**

TECHNICAL SPECIFICATIONS OF SURFACE MOUNT SUPER FAST RECTIFIER

VOLTAGE RANGE - 50 to 400 Volts

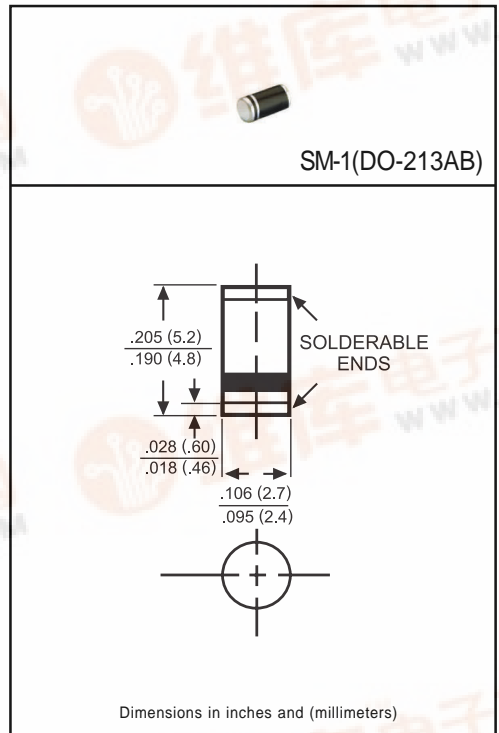
CURRENT - 1.0 Ampere

FEATURES

- * Ideal for surface mounted applications
- * Low leakage current
- * Fast switching for high efficiency
- * Glass passivated junction

MECHANICAL DATA

- * Case: Molded plastic
- * Epoxy: UL 94V-0 rate flame retardant
- * Terminals: Solder plated solderable per MIL-STD-202E, Method 208 guaranteed
- * Polarity: Color band denotes cathode end
- * Mounting position: Any
- * Weight: 0.12 gram



MAXIMUM RATINGS AND ELECTRICAL CHARACTERISTICS

Ratings at 25 °C ambient temperature unless otherwise specified.
Single phase, half wave, 60 Hz, resistive or inductive load.
For capacitive load, derate current by 20%.

	SYMBOL	ESM101	ESM102	ESM103	ESM104	ESM105	ESM106	UNITS
Maximum Recurrent Peak Reverse Voltage	V _{RRM}	50	100	150	200	300	400	Volts
Maximum RMS Volts	V _{RMS}	35	70	105	140	210	280	Volts
Maximum DC Blocking Voltage	V _{DC}	50	100	150	200	300	400	Volts
Maximum Average Forward Current at TA = 55°C	I _O	1.0						Amps
Peak Forward Surge Current, IFM (surge): 8.3 ms single half sine-wave superimposed on rated load (JEDEC Method)	I _{FSM}	30						Amps
Maximum Forward Voltage at 1.0A DC	V _F	0.95			1.25			Volts
Maximum DC Reverse Current at Rated DC Blocking Voltage	I _R	@ TA = 25°C						uAmps
		@ TA = 125°C						
Maximum Reverse Recovery Time (Note 1)	t _{rr}	35						nSec
Typical Junction Capacitance (Note 2)	C _J	15						pF
Operating and Storage Temperature Range	T _J , T _{STG}	-65 to + 175						°C

NOTES: 1. Test Conditions: IF=0.5A, IR=1.0A, IRR=0.25A.
2. Measured at 1 MHz and applied reverse voltage of 4.0 volts.



RATING AND CHARACTERISTIC CURVES (ESM101 THRU ESM106)

FIG. 1 - TEST CIRCUIT DIAGRAM AND REVERSE RECOVERY TIME CHARACTERISTIC

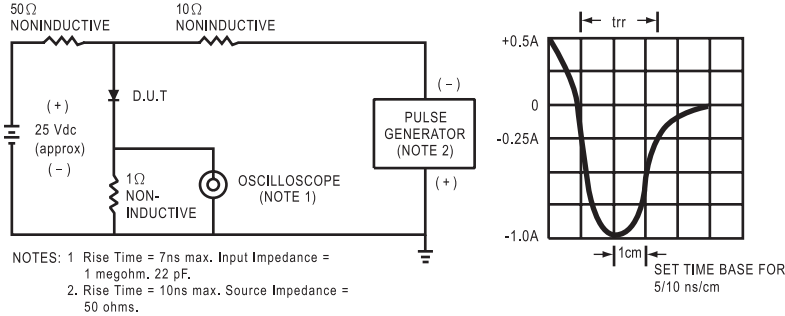


FIG. 2 - TYPICAL FORWARD CURRENT DERATING CURVE

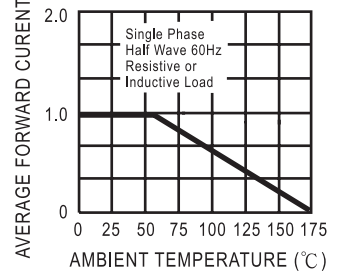


FIG. 3 - TYPICAL REVERSE CHARACTERISTICS

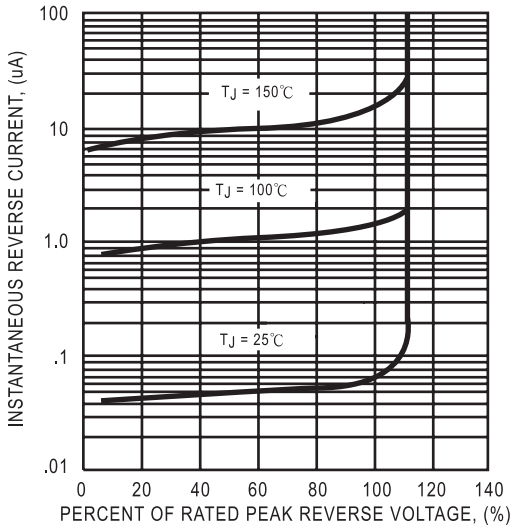


FIG. 4 - TYPICAL INSTANTANEOUS FORWARD CHARACTERISTICS

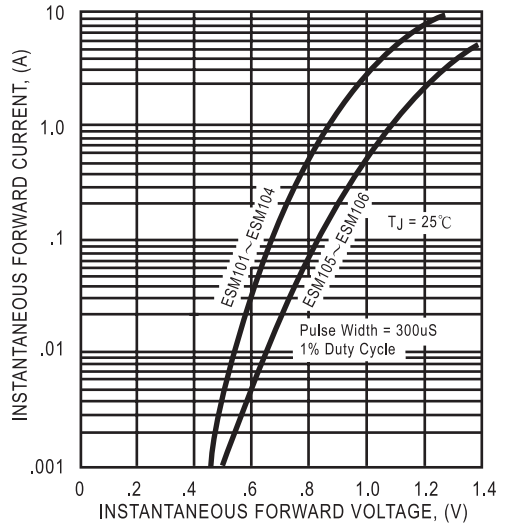


FIG. 5 - MAXIMUM NON-REPETITIVE FORWARD SURGE CURRENT

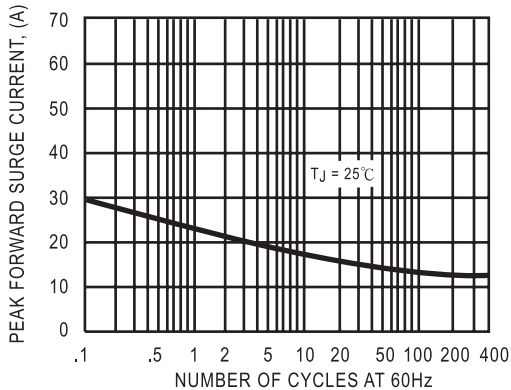


FIG. 6 - TYPICAL JUNCTION CAPACITANCE

