



E-Series 2-Way 0° Power Divider

5 - 120 MHz

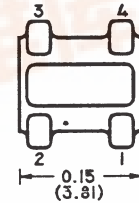
ESSM-2-9-75

V2.00

Features

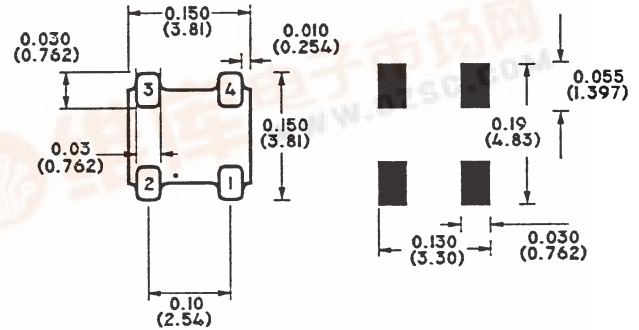
- * 2 Way
- * 0 Degree
- * Surface Mount

SM-53



Specifications @ 25°C

Frequency Range	5 - 120 MHz	
Insertion Loss	Typical	Maximum
	5 - 120 MHz	0.3 dB 0.6 dB
Isolation	Minimum	
	5 - 50 MHz	23 dB
	50 - 60 MHz	22 dB
	60 - 120 MHz	21 dB
Amplitude Unbalance	Maximum	
	5 - 120 MHz	0.5 dB
Phase Unbalance	Maximum	
	5 - 120 MHz	2°



Operating Characteristics

Impedance 75 Ohms Nominal

Absolute Maximum Ratings

Parameter	Absolute Maximum
Maximum Power Rating	1 Watt
Internal Load Dissipation	0.125 Watt
Pin Temp (10 sec)	260°C
Storage Temperature	-55°C to 100°C

Additional Specifications

Input Return Loss 20dB min, Output Return Loss 20dB min

Function	Pin No.
Not Connected	-
External 75 Ohms	-
Ground	3
Case Ground	-
Input	2
Port 1	1
Port 2	4

