



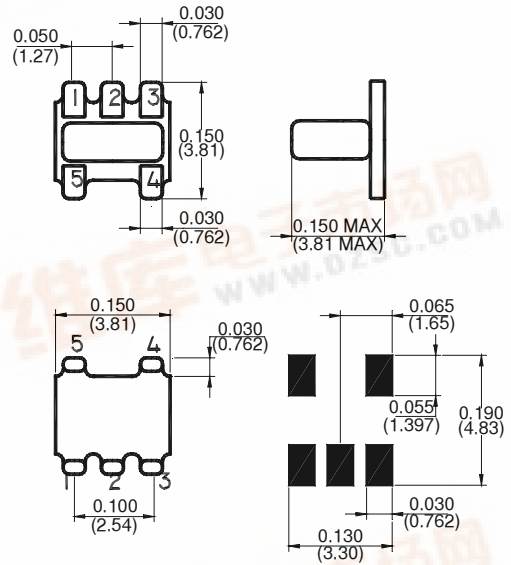
E-Series RF 1:1 Transformer 2– 500 MHz

Features

- Surface Mount
- 1:1 Impedance Ratio



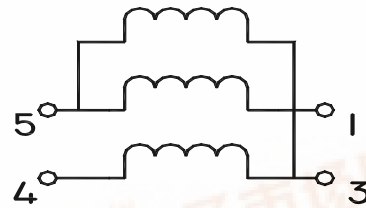
SM-22 Package



Description

M/A-COM's ETC1-1T-5 is a 1:1 RF transformer in a low cost, surface mount package. Ideally suited for high volume cellular wireless applications. Typical applications include single to balanced mode conversion and impedance matching.

Schematic



Electrical Specifications @25°C

Parameter	Units	Typical	Minimum	Maximum
Frequency Range 2 - 500	MHz	—	—	—
Insertion Loss ($f_L - f_U$)	2 - 500 MHz	—	—	2.0
	2 - 300 MHz	—	—	1.0
Amplitude Imbalance	2 - 300 MHz	—	—	0.3
	2 - 500 MHz	—	—	0.6
Phase Imbalance	2 - 300 MHz	—	—	2.0°
	2 - 500 MHz	—	—	5.0°



Absolute Maximum Ratings

Parameter	Absolute Maximum
RF Power	250 mW
DC Current	30 mA
Operating Temperature	-20°C to +85°C
Storage Temperature	-20°C to +85°C

Functional Configuration

Function	Pin No.
Secondary Dot	3
Secondary CT	—
Secondary	1
Primary	5
Primary Dot	4
Primary CT	—
Not Connected	2