



E-Series RF 1:1 Transformer

40 - 1000 MHz

ETC1-1T-75

V3.00

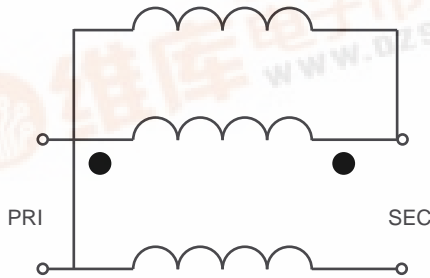
Features

- 1:1 Impedance Ratio

Specifications @ 25°C

Frequency Range	40 - 1000 MHz
Insertion Loss	Maximum
40 - 1000 MHz	3 dB
40 - 600 MHz	2 dB
Amplitude Imbalance	Maximum
40 - 1000 MHz	1.5 dB
Phase Imbalance	Maximum
40 - 1000 MHz	10°

Schematic



Ordering Information

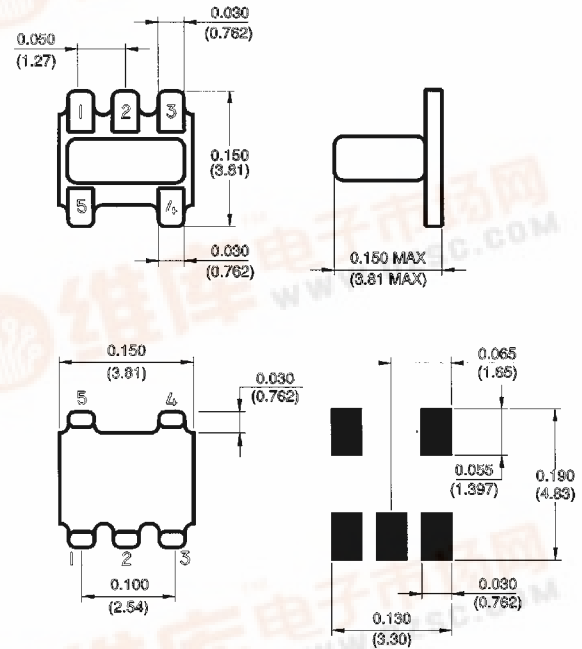
Part No.
ETC1-1T-75
ETC1-1T-75TR

Packaging
Tubes
Tape & Reel

Absolute Maximum Ratings

Parameter	Absolute Maximum
RF Power	250 mW
DC Current	30 mA
Operating/Storage Temp.	-20°C to +85°C

SM-22



Pin Configuration

Function	Pin No.
Primary dot	5
Primary	4
Secondary dot	1
Secondary	3
Not Connected	2

