

AMP

M/A-COM

E-Series RF 1.5:1 Step-down Auto-Transformer 5 - 1000 MHz

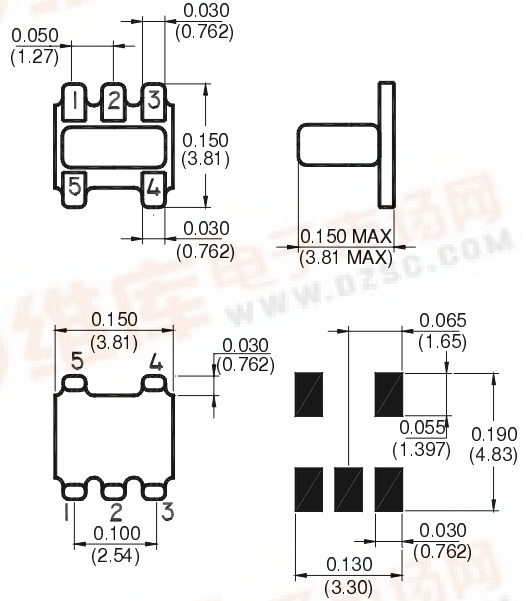


Features

- Surface Mount
- 1.5:1 Impedance Ratio
- Available on Tape & Reel



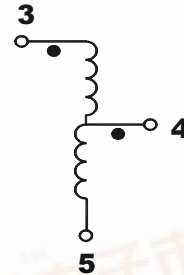
SM-22 Package



Description

M/A-COM's ETC1.5-4 is a 1.5:1 RF step-down auto-transformer in a low cost, surface mount package. Ideally suited for high volume applications.

Schematic



Electrical Specifications @25°C

Parameter	Units	Nominal	Typical	Minimum	Maximum
Frequency Range 5 - 1000	MHz	—	—	—	—
Insertion Loss 5 - 1000 MHz	dB	—	—	—	1.0

Please Note that the photograph above indicates package shape only, unit may be wired differently.



Absolute Maximum Ratings

Parameter	Absolute Maximum
RF Power	250 mW
DC Current	100 mA
Storage Temperature	-55°C to +100°C

Functional Configuration

Function	Pin No.
Primary Dot	3
Primary	5
Primary CT	—
Secondary Dot	4
Secondary	5
Secondary CT	—
Case Ground	—
Not Connected	1,2

Typical Performance @ +25°C

Insertion Loss

