



E-Series RF 16:1 Transformer

5 - 40 MHz

ETC16-1T-2

Features

- * 16:1 Impedance Ratio
- * CT on Secondary

Specifications @ 25°C

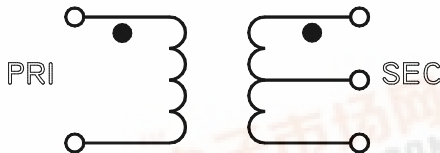
Frequency Range 5 - 40 MHz

Insertion Loss Maximum
 5 - 40 MHz 1 dB
 22 MHz 0.8 dB

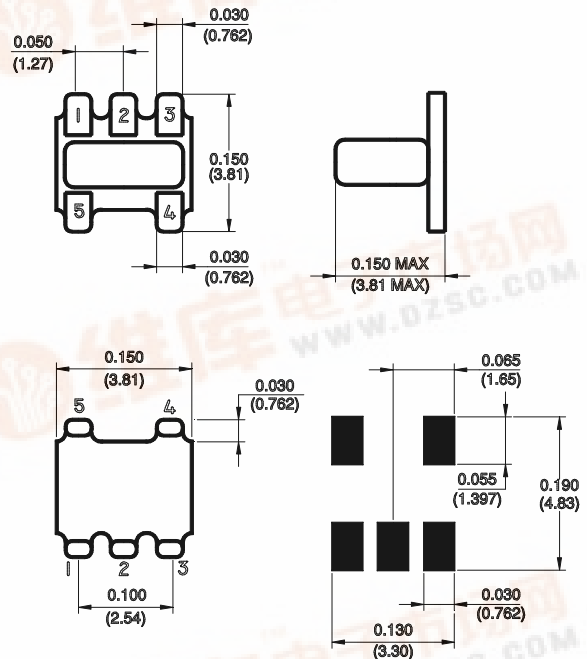
Amplitude Imbalance Maximum
 5 - 40 MHz 0.3 dB

Phase Imbalance Maximum
 5 - 40 MHz 3°

Schematic



SM-22



Absolute Maximum Ratings

| Parameter | Absolute Maximum |
|-----------------------|------------------|
| RF Power | 250 mW |
| DC Current | 30 mA |
| Operating Temperature | -20°C to +85°C |
| Storage Temperature | -55°C to 100°C |

| Function | Pin No. |
|---------------|---------|
| Primary dot | 5 |
| Primary | 4 |
| Primary CT | - |
| Secondary dot | 1 |
| Secondary | 3 |
| Secondary CT | 2 |
| Case Ground | - |
| Not Connected | - |