



E-Series RF 2:1 Transformer

50 - 1000 MHz

ETC2-1T-2

V3.00

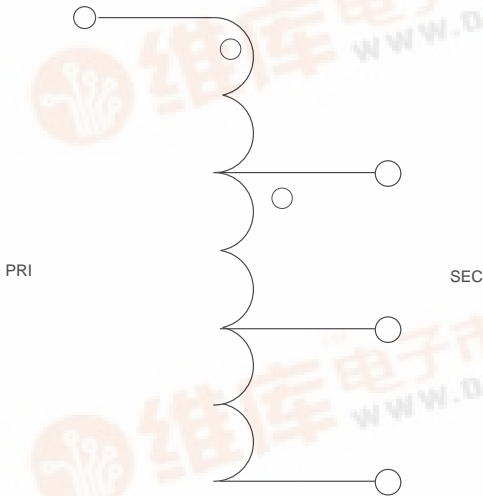
Features

- 2:1 Impedance Ratio
- CT on Secondary

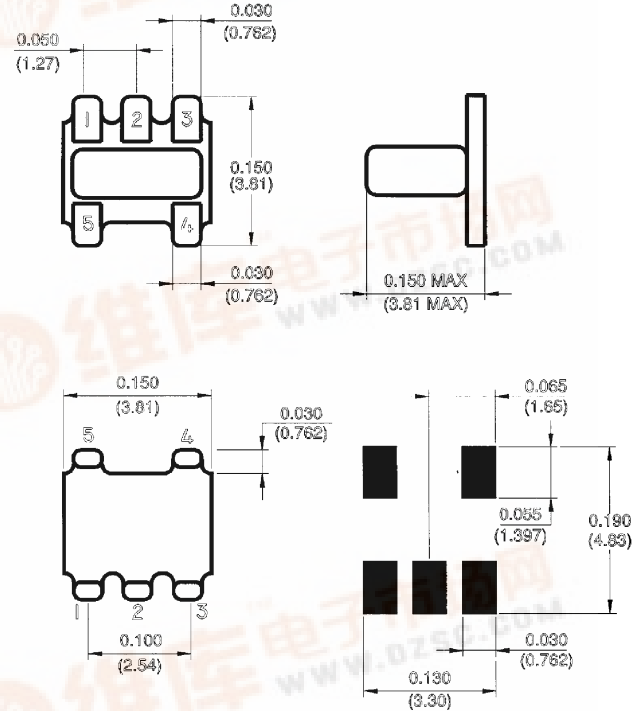
Specifications @ 25°C

| | |
|---------------------|---------------|
| Frequency Range | 50 - 1000 MHz |
| Insertion Loss | Maximum |
| 50 - 1000 MHz | 2 dB |
| Amplitude Imbalance | Maximum |
| 50 - 1000 MHz | 1.5 dB |
| Phase Imbalance | Maximum |
| 50 - 1000 MHz | 55° |
| 50 - 500 MHz | 30° |

Schematic



SM-22



Ordering Information

| | |
|-----------------|------------------|
| Part No. | Packaging |
| ETC2-1T-2 | Tubes |
| ETC2-1T-2TR | Tape & Reel |

Absolute Maximum Ratings

| Parameter | Absolute Maximum |
|-------------------------|------------------|
| RF Power | 250 mW |
| DC Current | 30 mA |
| Operating/Storage Temp. | -20°C to +85°C |

Pin Configuration

| Function | Pin No. |
|---------------|---------|
| Primary dot | 4 |
| Primary | 2 |
| Secondary dot | 3 |
| Secondary | 1 |
| Secondary CT | 2 |
| Not Connected | 5 |

