

AMP

M/A-COM

E-Series RF 1:4 Transmission Line Step-up Transformer

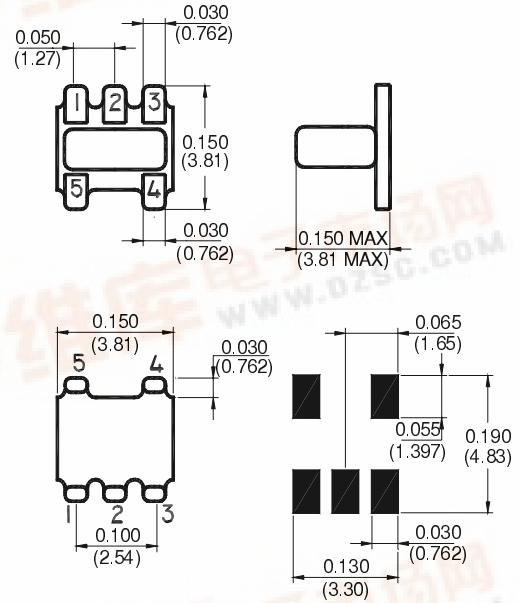


Features

- Surface Mount
- 1:4 Impedance Ratio
- CT on Secondary
- Available on Tape & Reel



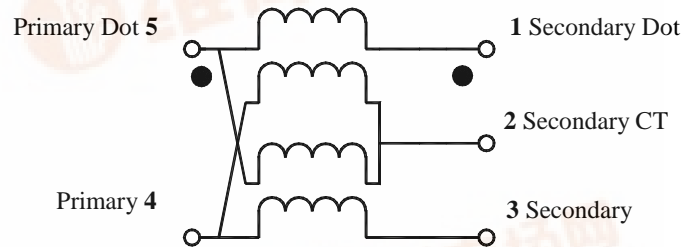
SM-22 Package



Description

M/A-COM's ETC4-1T-7 is a 1:4 RF transmission line step-up transformer in a low cost, surface mount package. Ideally suited for high volume cellular and wireless applications. Typical applications include single to balanced mode conversion and impedance matching.

Schematic



Electrical Specifications @25°C

Parameter	Units	Nominal	Maximum	Mean (x)	Sigma (σ)
Frequency Range	6.0 - 1000	MHz	—	—	—
Insertion Loss ($f_L - f_U$)	6.0 - 600 MHz	dB	—	2.0	1.06
	600 - 1000 MHz	dB	—	3.0	—
Amplitude Unbalance	6.0 - 1000 MHz	dB	—	1.0	—
Phase Unbalance	6.0 - 1000 MHz	Degrees	—	10	—

Note: Mean and Sigma calculated from average loss at @ $(f_U - f_L)/2 + f_L$

Please Note that the photograph above indicates typical package only, not actual unit.



Absolute Maximum Ratings

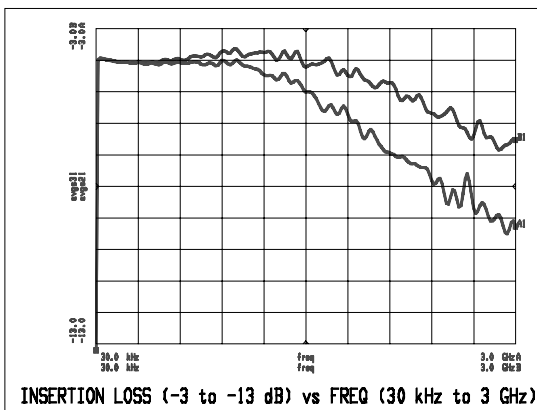
Parameter	Absolute Maximum
RF Power	250 mW
DC Current	30 mA
Operating Temperature	-20°C to +85°C
Storage Temperature	-20°C to +85°C

Functional Configuration

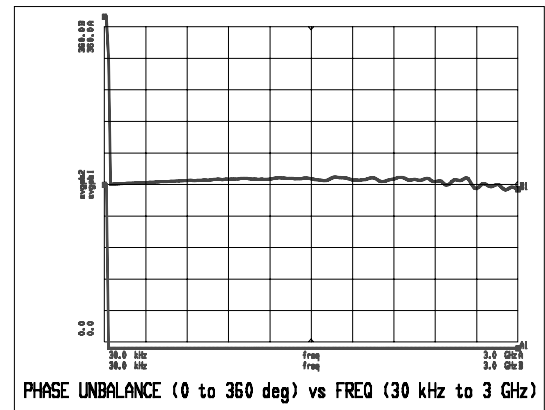
Function	Pin No.
Secondary Dot	1
Secondary CT	2
Secondary	3
Primary	4
Primary Dot	5

Typical Performance Over Extended Bandwidth (30kHz - 3.0GHz)

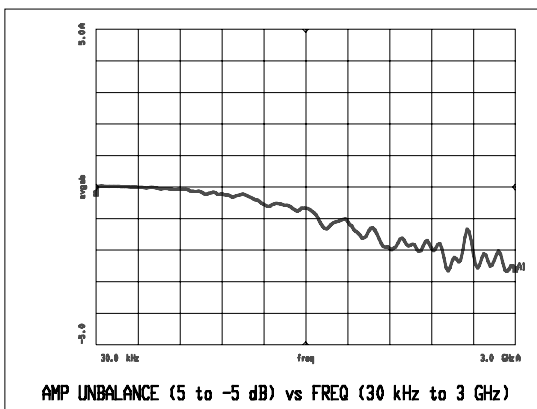
Insertion Loss



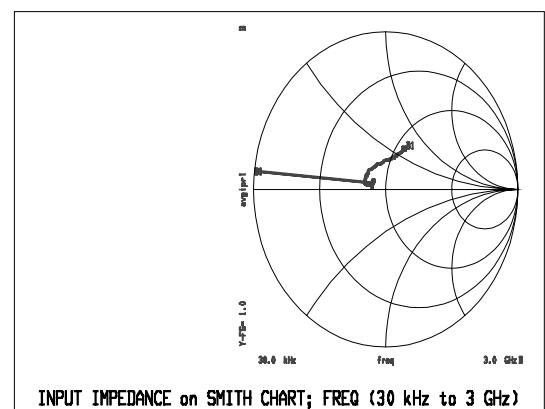
Phase Unbalance



Amplitude Unbalance



Input Impedance



Note: All measurements performed on Hewlett Packard 8753D Network Analyser (201 sample points, linear scale) in a 50 ohm coplanar waveguide environment. Tables created using MDS software.