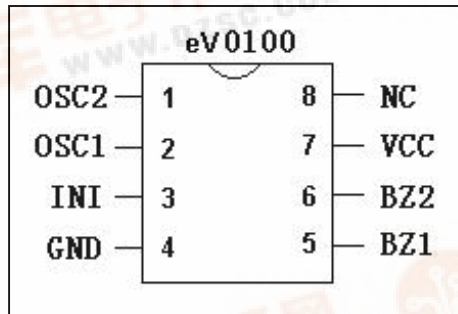


The eV0100 is a CMOS design for single tone alarm sound application.

FEATURES:

1. Auto Power down function.
2. Low Operating Voltage:2V-5V.
3. CMOS process.
4. On-chip RC oscillator.
5. Low stand-by current.
6. Compatible RT0100.
7. Have 8DIP , 8SN package.

PIN DIAGARM



PIN OUT AND DESCRIPTION

| Symbol | Description | PIN | I/P,O/P |
|--------|---|-----|---------|
| OSC2 | Oscillator pin | 1 | I/P |
| OSC1 | Oscillator pin | 2 | O/P |
| INI | An internal pull-up resistor. Might disabled BZ1,BZ2 when connected to GND. | 3 | I/P |
| GND | Ground | 4 | |
| BZ1 | Audio output | 5 | O/P |
| BZ2 | Audio output | 6 | O/P |
| VCC | Power | 7 | |
| NC | No connecting | 8 | |



ELECTRONICAL CHARACTERISTICS

VCC=3V, Temp=25

| Parameter | Symbol | Min. | Typ. | Max. | Unit |
|---------------------|--------|------|------|------|------|
| Operating Voltage | VCC | 2.0 | 3.0 | 5.0 | V |
| Stand-by Current | Isb | | 30 | 50 | μ A |
| Operating Current | Iop | | 300 | 500 | μ A |
| BZ1,BZ2 | Ioh | 1.0 | | | mA |
| Driving current | Iol | 1.0 | | | mA |
| Operating Frequency | Fop | | 128 | | KHz |

ABSOLUTE MAXIMUM RATINGS

| Symbol | Parameter | Rating | Unit |
|--------|-----------------------|----------------|------|
| VCC | Supply Voltage | -0.3 ~ 6 | V |
| Vi | Input Voltage | -0.3 ~ VCC+0.3 | V |
| Vo | Output Voltage | -0.3 ~ VCC+0.3 | V |
| Tst | Storage Temperature | -40 ~ 125 | |
| Ttp | Operating Temperature | 0 ~ 65 | |

APPLICATION CIRCUIT

