



Evaluation Board For PLL Frequency Synthesizer

EVAL-ADF411XEB1

FEATURES

General Purpose PLL Evaluation Board excluding Synthesizer, VCO, Loop Filter for generating generic PLL standards.

Compatible with ADF4110 and ADF4116 synthesizer families.

Accompanying Software allows complete control of synthesizer functions from PC

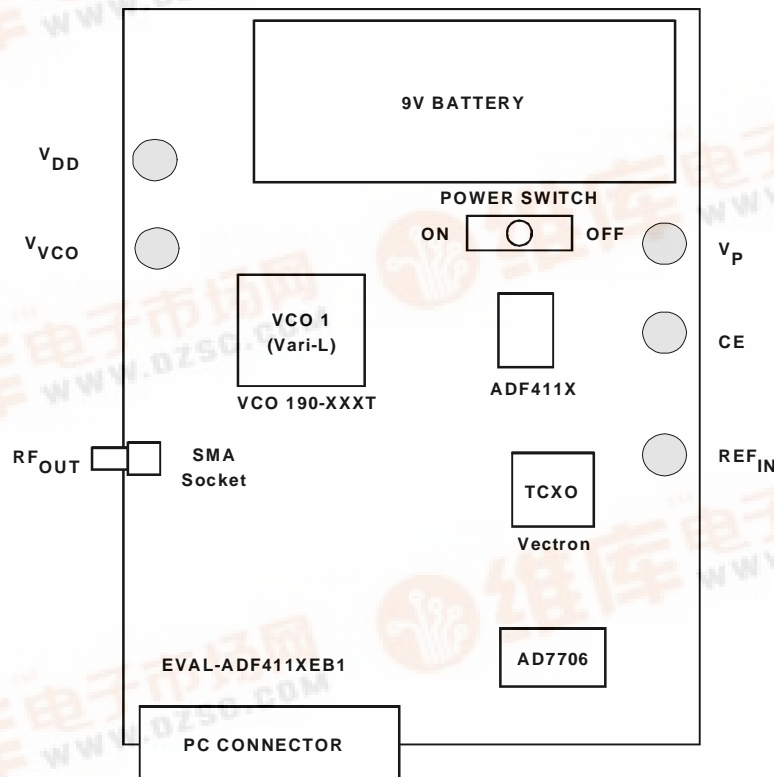
Battery Operated: Choice of 3V or 5V supplies

GENERAL DESCRIPTION

This board is designed to allow the user to evaluate the performance of the ADF411X Frequency Synthesizer for PLL's (Phase Locked Loops). The block diagram of the board is shown below. It contains the footprint for a ADF411X synthesizer, a pc connector, SMA connector for the reference input, power supplies and RF output. There is also a footprint for a loop filter and a VCO on board. A cable is included with the board to connect to a pc printer port.

The package also contains windows software to allow easy programming of the synthesizer.

BLOCK DIAGRAM



Hardware Description

The evaluation board comes with a cable for connecting to the printer port of a PC. The silk screen and cable diagram for the evaluation board are shown below. The board schematic is shown on pages 3 and 4.

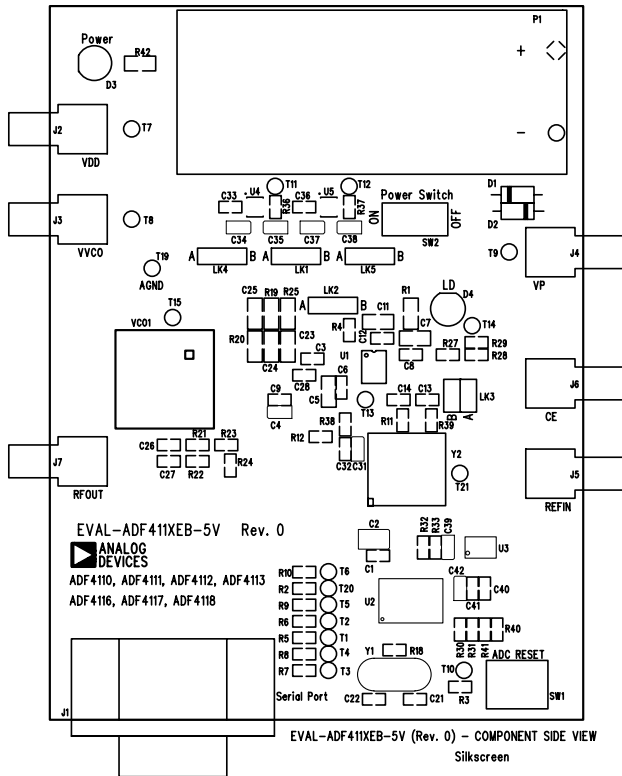


Figure 1. Evaluation Board Silkscreen

The board is powered from a single 9V battery. The power supply circuitry allows the user to choose either 3V or 5V for the ADF4113 V_{DD} and V_p , and for the VCO supply. The default settings are 3V for the ADF411X V_{DD} and 5V for the ADF411X V_p and for the VCO supply. **It is very important to note that the ADF4113 V_{DD} should never exceed the ADF411X V_p . This can damage the device.**

All components necessary for LO generation are catered for on-board. The TCXO connector provides the necessary Reference Input. The PLL is made up of the ADF411X, passive loop filter and the VCO 190-XXXX from Vari-L. The output is available at RFOUT through a standard SMA connector. If the user wishes they may use their own power supplies and reference input. In this case, they need to insert SMA connectors to as shown on the silkscreen and block diagram.

The AD7706 A/D converter is used to monitor the power supply voltage and current consumption of the ADF411X. This helps the user pick the optimum synthesizer settings for power consumption and also provides an alert if the battery

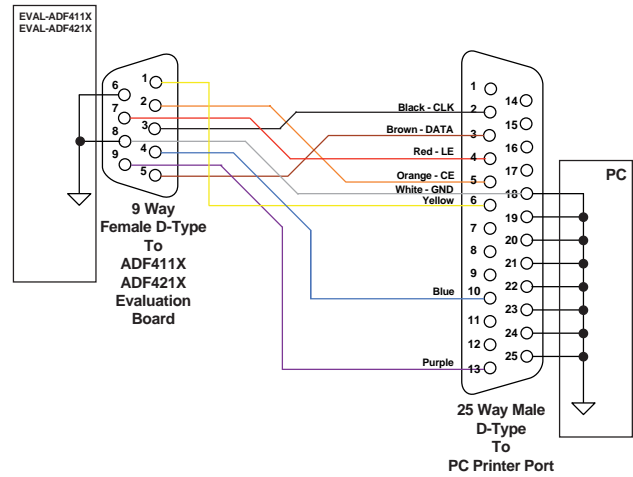
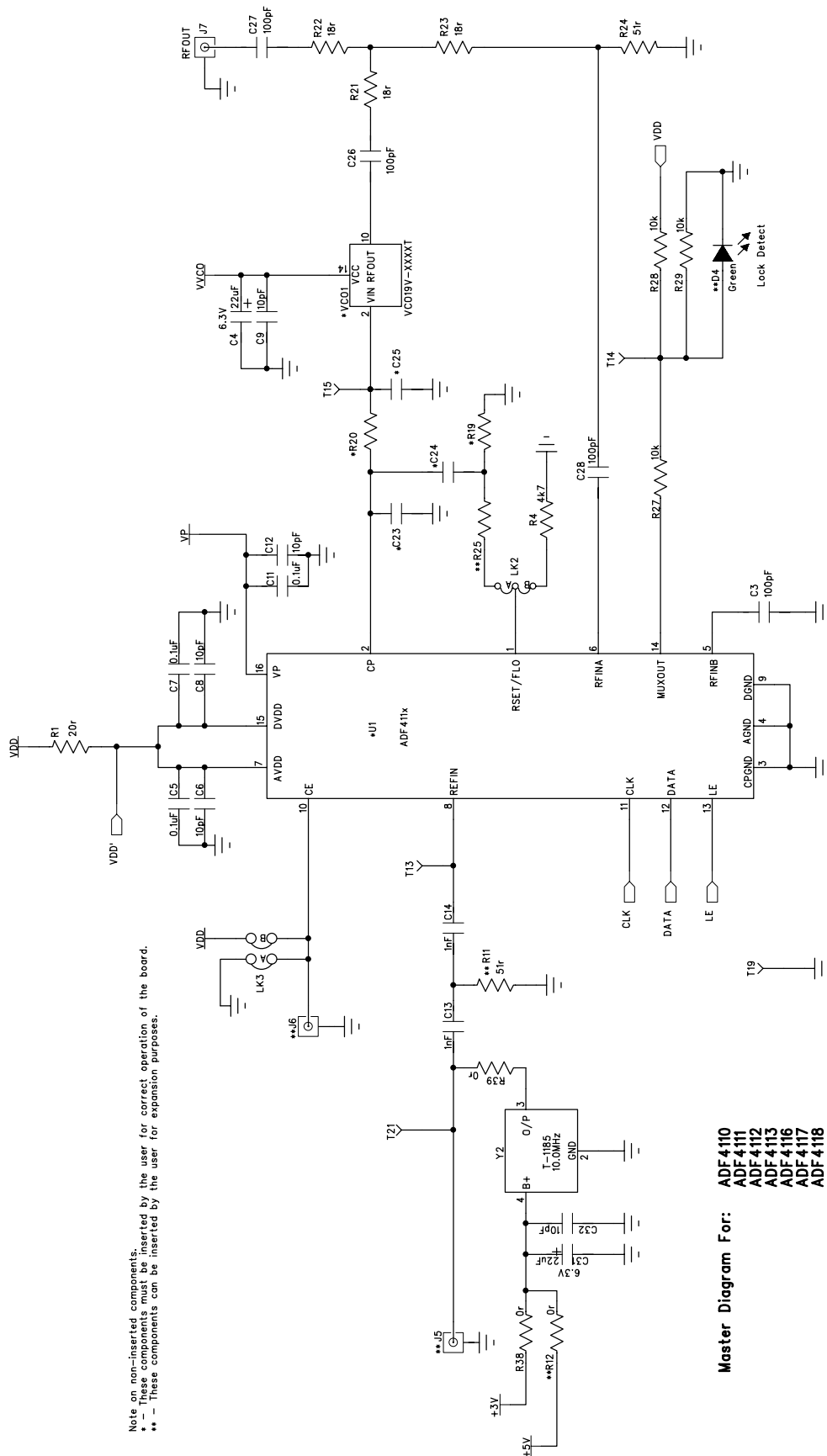


Figure 2. PC Cable Diagram

voltage is too low to sustain the required 3V or 5V for the board supply.

Loop component values shown in the circuit diagram are for 900MHz RF output, 5mA CP current, VCO190-902T, 200kHz channel spacing and 20kHz loop bandwidth.



Note on non-inserted components.
 * - These components must be inserted by the user for correct operation of the board.
 ** - These components can be inserted by the user for expansion purposes.

Master Diagram For:
 ADF4110
 ADF4111
 ADF4112
 ADF4113
 ADF4116
 ADF4117
 ADF4118

Figure 3. Evaluation Board Circuit Diagram (Page 1)

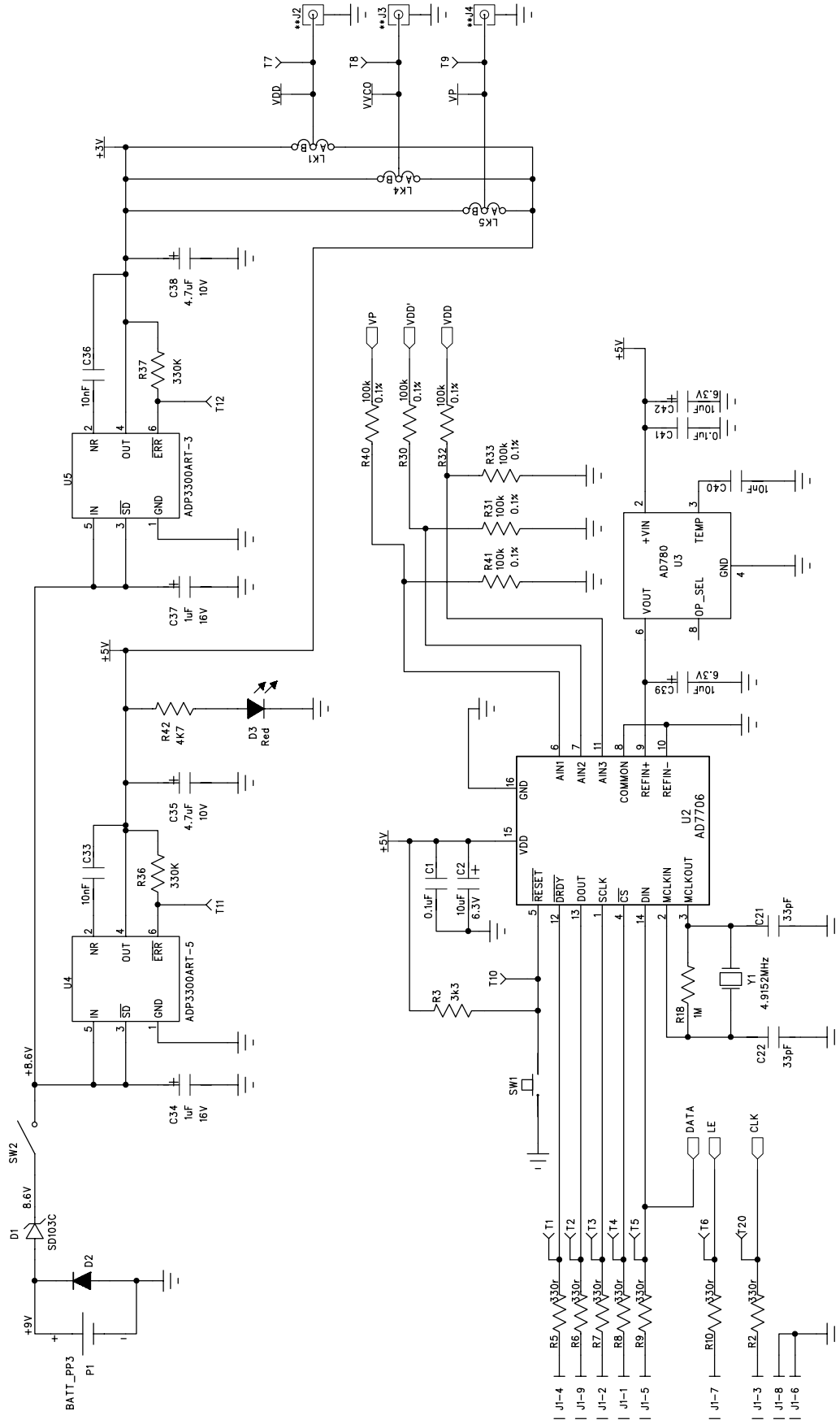


Figure 4. Evaluation Board Circuit Diagram (Page 2)

Software Description

The software comes on a CD. If the user double clicks on “setup.exe”, then the install wizard installs the software. Follow the on-screen directions. The software will be installed in a default directory called “C:/Program Files/ADF4XXX/ADF4XXX_rev0”. To run the software, simply double-click on “adf4XXX_rev0.exe”.

Before the main software screen appears, the Device window appears, which will ask the user to choose which device is being evaluated. Choose the device being evaluated and click OK.

The Main Interface window will now appear. (See Figure 5)

Click on Choose Port, and the Port Connector window will appear. Choose the port that the cable is connected to on the PC and click OK. (Normally LPT1)

Click on Reference Frequency, and the Reference Frequency window will appear. Enter the reference frequency being used and click OK.

Click on RF VCO Output Frequency, and the Output Frequency window will appear. Enter the output frequency and PFD reference frequency, and click OK.

Click On Prescaler, and the Prescaler window will appear. Grab the pointer, and choose the desired prescaler value. Click OK.

Click on Charge Pump Current Setting 2 or Charge Pump Current Setting 1 and the Current Setting window will appear. Grab the pointer to set the Charge Pump Current Setting. Click OK.

Click on the RF PD Polarity button to set the RF PD Polarity bit.

The data is now set up, and other features can now be examined by the user.

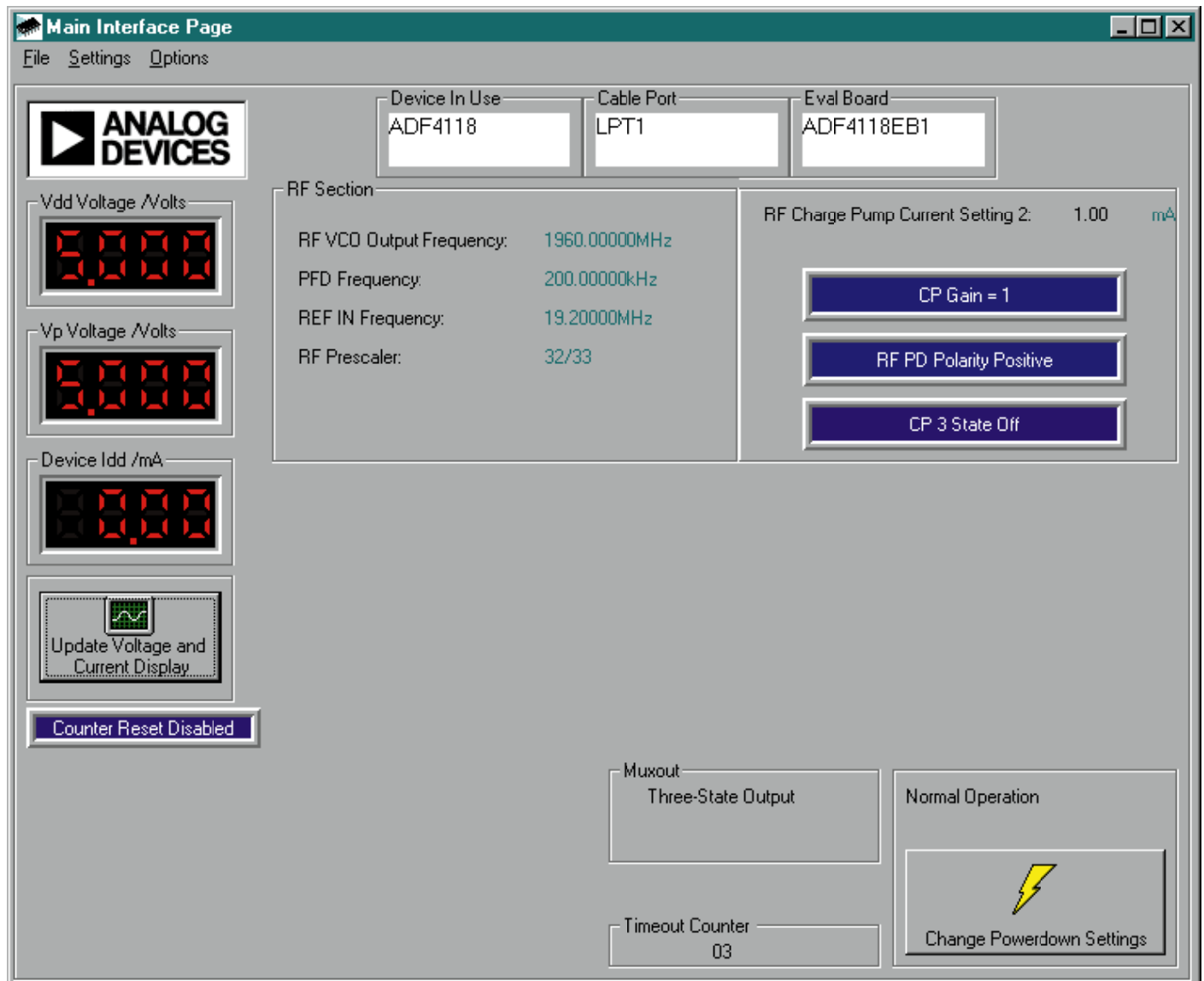


Figure 5. Software Front Panel

EVAL-ADF411XEB1

Table 1. Bill of Materials for the EVAL-ADF411XEB1

| Qty | Reference Designator | Description | Manufacturer | PCB DECAL | VALUE |
|-----|-------------------------|-------------------------------------|-----------------------|------------------|--------------|
| 1 | U1 | Do Not Inser | ADI | TSSOP-16 | |
| 1 | U2 | AD7706BR | ADI | SO16WB | AD7706BR |
| 1 | U3 | AD780AR | ADI | SO8NB | AD780AR |
| 1 | U4 | ADP3300ART-5 | ADI | SOT23-6 | ADP3300ART-5 |
| 1 | U5 | ADP3300ART-3 | ADI | SOT23-6 | ADP3300ART-3 |
| 1 | VCO1 | Do Not Inser | Vari-L | | |
| 1 | Y1 | 4.9152MHz Crystal | Vectron International | HC49 low profile | VXA1-1011 |
| 1 | Y2 | 10 MHz TCXO | Vectron International | | T-1185 |
| 1 | D1 | SD103C Schottky Diode | General Semiconductor | DO35 | SD103C |
| 1 | D2 | IN4001 | | D035 | FEC 365-117 |
| 1 | D3 | Red Low Power LED | Vishay | LED | FEC 657-130 |
| 1 | D4 | Green Low Power LED (Do Not Inset) | Vishay | LED | FEC 657-141 |
| 2 | C1 C41 | 0.1uF Multi Layer Ceramic Capacitor | Murata | Case 0603 | FEC 499-675 |
| 1 | C2 | 10uF 6.3V Tantalum Capacitor | AVX | CAP\TAJ_B | FEC 197-014 |
| 4 | C3 C26 C27 C28 | 100pF Multi Layer Ceramic Capacitor | Murata | Case 0603 | FEC 499-122 |
| 2 | C4 C31 | 22uF 6.3V Tantalum Capacitor | AVX | CAP\TAJ_A | FEC 197-038 |
| 3 | C5 C7 C11 | 0.1uF Multi Layer Ceramic Capacitor | Murata | Case 0805 | FEC 317-627 |
| 5 | C6 C8 C9 C12 C32 | 10pF Multi Layer Ceramic Capacito | Murata | Case 0603 | FEC 499-110 |
| 2 | C13 C14 | 1nF Multi Layer Ceramic Capacitor | Murata | Case 0603 | FEC 317-202 |
| 2 | C21 C22 | 33pF Multi Layer Ceramic Capacito | Murata | Case 0603 | FEC 498-555 |
| 1 | C23 | Do Not Inser | | Case 0805 | |
| 1 | C24 | Do Not Inser | | Case 0805 | |
| 1 | C25 | Do Not Inser | | Case 0805 | |
| 3 | C33 C36 C40 | 10nF Multi Layer Ceramic Capacito | Murata | Case 0603 | FEC 499-146 |
| 2 | C34 C37 | 1uF 16V Tantalum Capacitor | AVX | CAP\TAJ_A | FEC 498-701 |
| 2 | C35 C38 | 4.7uF 10V Tantalum Capacitor | AVX | CAP\TAJ_A | FEC 498-658 |
| 2 | C39 C42 | 10uF 6.3V Tantalum Capacitor | AVX | CAP\TAJ_A | FEC 197-014 |
| 1 | R1 | 20r 5% Resistor (Surface Mount) | Multicomp | Case 0805 | FEC 771-132 |
| 7 | R2 R5 R6 R7 R8 R9 R10 | 330r 1% Resistor (Surface Mount) | Multicomp | Case 0603 | FEC 911-143 |
| 1 | R3 | 3k3 1% Resistor (Surface Mount) | Multicomp | Case 0603 | FEC 911-290 |
| 1 | R4 | 4k7 1% Resistor (Surface Mount) | Multicomp | Case 0603 | FEC 911-318 |
| 1 | R11 | Do Not Inser | | Case 0603 | |
| 1 | R18 | 1M 1% Resistor (Surface Mount) | Multicomp | Case 0603 | FEC 911-598 |
| 1 | R19 | Do Not Inser | | Case 0805 | |
| 1 | R20 | Do Not Inser | | Case 0805 | |
| 3 | R21 R22 R23 | 18r 1% Resistor (Surface Mount) | Multicomp | Case 0603 | FEC 911-021 |
| 1 | R24 | 51r 1% Resistor (Surface Mount) | Multicomp | Case 0603 | |
| 1 | R25 | Do Not Inser | | Case 0805 | |
| 3 | R27 R28 R29 | 10k 1% Resistor (Surface Mount) | Multicomp | Case 0603 | FEC 911-355 |
| 6 | R30 R31 R32 R33 R40 R41 | 100k 0.1% Resistor (Surface Mount) | Meggitt | Case 0603 | FEC 911-471 |
| 2 | R36 R37 | 330K 1% Resistor (Surface Mount) | Multicomp | Case 0603 | FEC 911-537 |
| 2 | R38 R39 | 0r 1% Resistor (Surface Mount) | Multicomp | Case 0603 | FEC 772-227 |
| 1 | R12 | 0r 1% Resistor - Do Not Inset | Multicomp | Case 0603 | FEC 772-227 |
| 1 | R42 | 4k7 1% Resistor (Surface Mount) | Multicomp | Case 0805 | FEC 911-938 |
| 1 | SW 1 | Push Button Switch | Omron | SW\PB-SMALL | FEC 176-986 |
| 1 | SW2 | SPDT Switch - (Washable) | Apem | SW_SIP-3P | FEC 150-559 |
| 18 | T1-15 T19-21 | Red Testpoint | W Hughes | TESTPOINT | FEC-240-345 |
| 1 | J1 | 9 PIN D-TYPE MALE (HORIZ) | McMurdo | DCON9M | FEC 150-750 |
| 5 | J2 J3 J4 J5 J6 | Do Not Inser | | SMA | |
| 1 | J7 | GOLD 50Ω SMA SOCKET | Pasternack | SMA | PE4118 |
| 4 | LK1 LK2 LK4 LK5 | 3 pin header | Harwin | SIP-3P | FEC 512-047 |
| 1 | LK3 | 2 pin header | Harwin | SIP-2P | FEC 512-035 |
| 5 | LK1-5 | Shorting Shunt | Harwin | | FEC 150-410 |
| 2 | P1 | Pair PCB snap-on battery connector | Keystone | BATT_PP3 | FEC 723-988 |
| 1 | P1 | 9V PP3 Battery | Duracell | | FEC 908-526 |
| 4 | Each Corner | Rubber Stick-On Feet | 3M | | FEC 148-922 |
| 1 | EVAL-ADF411XEB1 | PCB | ADI | | |
| | | Parts Free issued by ADI. | | | |