



10.0 AMP POSITIVE VOLTAGE REGULATOR

EZ1082

April 13, 1998

TEL:805-498-2111 FAX:805-498-3804 WEB:http://www.semtech.com

DESCRIPTION

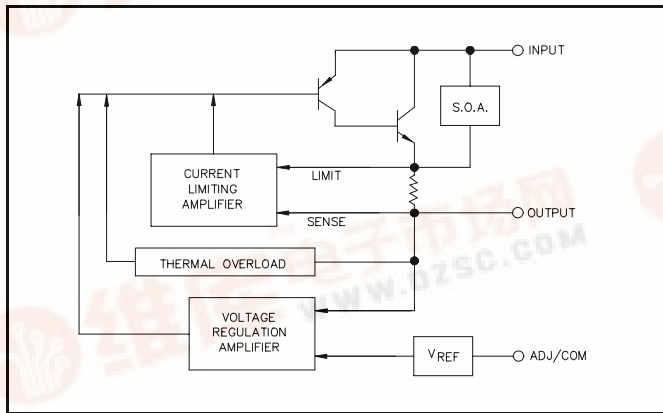
The EZ1082 series of high performance positive voltage regulators are designed for use in applications requiring low dropout performance at full rated current. Additionally, the EZ1082 series provides excellent regulation over variations in line, load and temperature.

Outstanding features include low dropout performance at rated current, fast transient response, internal current limiting and thermal shutdown protection of the output device. The EZ1082 series are three terminal regulators with fixed and adjustable voltage options available in the popular TO-220 package.

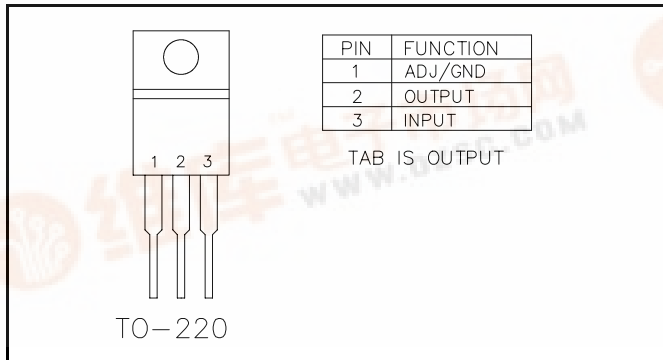
APPLICATIONS

- High current microprocessor supplies
- Post regulators

BLOCK DIAGRAM



PIN CONFIGURATIONS



FEATURES

- Low dropout performance, 1.3V max.
- Full current rating over line and temperature
- Fast transient response
- $\pm 2\%$ total output regulation over line, load and temperature
- Adjust pin current max 90 μ A over temperature
- Fixed/adjustable output voltage
- Line regulation typically 0.015%
- Load regulation typically 0.05%
- TO-220 package

ORDERING INFORMATION

DEVICE	PACKAGE	V _{OUT} VOLTS
EZ1082CT-X.X	TO-220	See Note (1)

Note:

(1) Where X.X denotes voltage options. Available voltages are: 2.5V and 3.3V. Leave blank for adjustable version (1.3 to 5.7V). Contact factory for additional voltage options.

ABSOLUTE MAXIMUM RATINGS

Parameter	Symbol	Maximum	Units
Input Supply Voltage	V _{IN}	7	V
Power Dissipation	P _D	Internally Limited	W
Thermal Resistance Junction to Case	θ_{JC}	1.6	$^{\circ}\text{C/W}$
Thermal Resistance Junction to Ambient	θ_{JA}	50	$^{\circ}\text{C/W}$
Operating Junction Temperature Range	T _J	0 to 125	$^{\circ}\text{C}$
Storage Temperature Range	T _{STG}	-65 to 150	$^{\circ}\text{C}$
Lead Temperature (Soldering) 10 Sec.	T _{LEAD}	260	$^{\circ}\text{C}$

April 13, 1998

ELECTRICAL CHARACTERISTICS

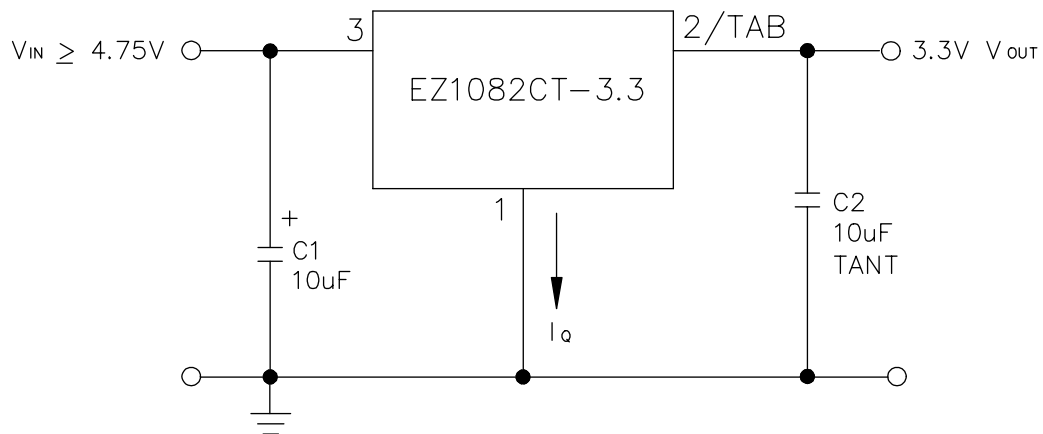
 Unless otherwise specified, Adj $V_{IN} = 2.75V$ to $7.0V$ and Adj $I_O = 10mA$ to $10.0A$;
 Fixed $V_{IN} = 4.75$ to $7.0V$ and Fixed $I_O = 0$ mA to $10.0A$

Parameter	Symbol	Test Conditions			Test Limits			Units
		V_{IN}	I_O	$T_J^{(4)}$	Min	Typ	Max	
Output Voltage ⁽¹⁾	V_O	5V	0mA	25°C	0.99 V_O	V_O	1.01 V_O	V
Fixed Voltage Version				O.T.	0.98 V_O	V_O	1.02 V_O	
Reference Voltage ⁽¹⁾	V_{REF}	5V	10mA	25°C	1.238	1.250	1.262	V
Adj Voltage Version				O.T.	1.225	1.250	1.275	
Line Regulation ⁽¹⁾	$REG_{(LINE)}$		10mA	25°C		0.015	0.2	%
				O.T.		0.035	0.2	
Load Regulation ⁽¹⁾	$REG_{(LOAD)}$	5V		25°C		0.05	0.3	%
				O.T.		0.2	0.4	
Dropout Voltage	V_D			25°C		1.2		V
$\Delta V_{OUT}, \Delta V_{REF} = 1\%$				O.T.		1.2	1.3	
Current Limit	I_{CL}			O.T.	10.0	12		A
Quiescent Current Fixed Voltage Version	I_Q	5V		O.T.		12	14	mA
Temperature Coefficient	T_C			O.T.		0.005		%/°C
Adjust Pin Current	I_{ADJ}			25°C		55		μA
				O.T.			90	
Adjust Pin Current Change	ΔI_{ADJ}			O.T.		0.2	5	μA
Temperature Stability	T_S	5V	0.5A	O.T.		0.5		%
Minimum Load Current Adj Voltage Version	I_O	5V		O.T.		5	10	mA
RMS Output Noise ⁽²⁾	V_N			25°C		0.003		% V_O
Ripple Rejection Ratio ⁽³⁾	R_A	5V	10.0A	O.T.	60	72		dB

NOTES:

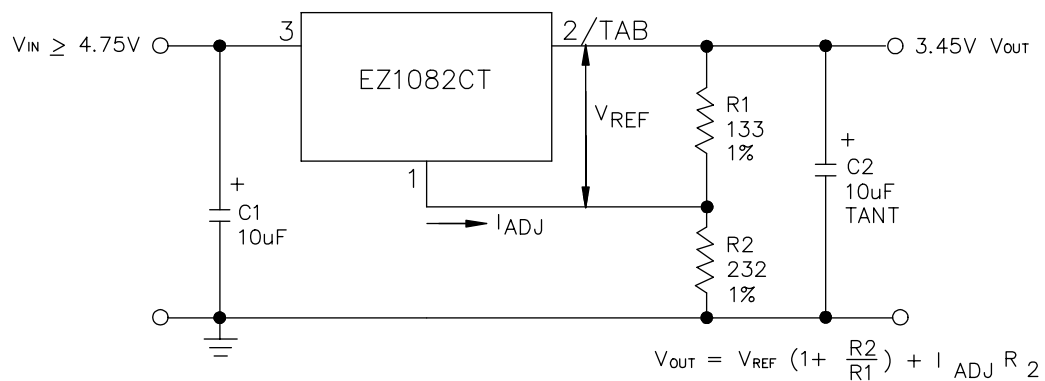
- (1) Low duty cycle pulse testing with Kelvin connections required.
- (2) Bandwidth of 10 Hz to 10 kHz.
- (3) 120 Hz input ripple (C_{ADJ} for ADJ = 25 μF).
- (4) Over Temp. (O.T.) = over specified operating junction temperature range.

April 13, 1998

TYPICAL APPLICATIONS
FIXED VOLTAGE REGULATOR ⁽¹⁾⁽²⁾


(1) C1 NEEDED IF DEVICE IS FAR FROM FILTER CAPACITORS.

(2) C2 REQUIRED FOR STABILITY.

ADJUSTABLE VOLTAGE REGULATOR ⁽¹⁾⁽²⁾


(1) C1 NEEDED IF DEVICE IS FAR FROM FILTER CAPACITORS.

(2) C2 REQUIRED FOR STABILITY.

April 13, 1998

OUTLINE - TO-220
