

TOSHIBA CMOS DIGITAL INTEGRATED CIRCUIT SILICON MONOLITHIC

TC9321F-005, TC9321F-009

DIGITAL TUNING SYSTEM

TC9321F-005, TC9321F-009 is a CMOS LSI designed for a FM/MW/LW ratio of a PLL frequency synthesizer system corresponded to the requirement of the whole world.

This Digital Tuning System is optimum for such car audio equipment as three band ratio with detachable panel.

- PLL + controller : TC9321F-005, TC9321F-009 (QFP-60PIN)
- LCD driver can control condition of key. : TC9297F (QFP-60PIN)
- Electronic volume : TEA6330T or TDA7313

FEATURES

- Receiving band

AREA	CODE	BAND	FREQUENCY RANGE [Hz]	STEP [Hz]	FREF [Hz]	IF [Hz]
	A2A1A0					
EUROPE	000	FM	87.5 ~ 108.0M	50k	50k	+ 10.7M
		MW	522 ~ 1620k	9k	9k	450 / 459k
EAST EUROPE	001	FM	65.0 ~ 74.0M 87.5 ~ 108.0M	50k	50k	+ 10.7M
		MW	522 ~ 1620k	9k	9k	450 / 459k
USA1	010	FM	87.5 ~ 107.9M	200k	50k	+ 10.7M
		MW	520 ~ 1720k	10k	10k	+ 450k
USA2	011	FM	87.5 ~ 108.0M	100k	50k	+ 10.7M
		MW	520 ~ 1720k	10k	10k	+ 450k
LATIN AMERICA	100	FM	87.5 ~ 108.0M	100k	50k	+ 10.7M
		MW	530 ~ 1710k	10k	10k	+ 450k
AUSTRALIA MIDDLE AND NEAR EAST	101	FM	87.5 ~ 108.0M	100k	50k	+ 10.7M
		MW	531 ~ 1602k	9k	9k	+ 450k
JAPAN	110	FM	76.0 ~ 90.0M	100k	50k	- 10.7M
		MW	522 ~ 1629k	9k	9k	+ 450k
SOUTH AFRICA	111	FM	87.5 ~ 108.0M	50k	50k	- 10.7M
		MW	531 ~ 1602k	9k	9k	+ 450k

BAND	CODE	FREQUENCY RANGE [Hz]	STEP [Hz]	FREF [Hz]	IF [Hz]
	LW1 LW0				
LW disable	00		—		
LW enable	01	153~279k	1k	1k	450 / 459k
	10	144~288k			
	11	146~290k			

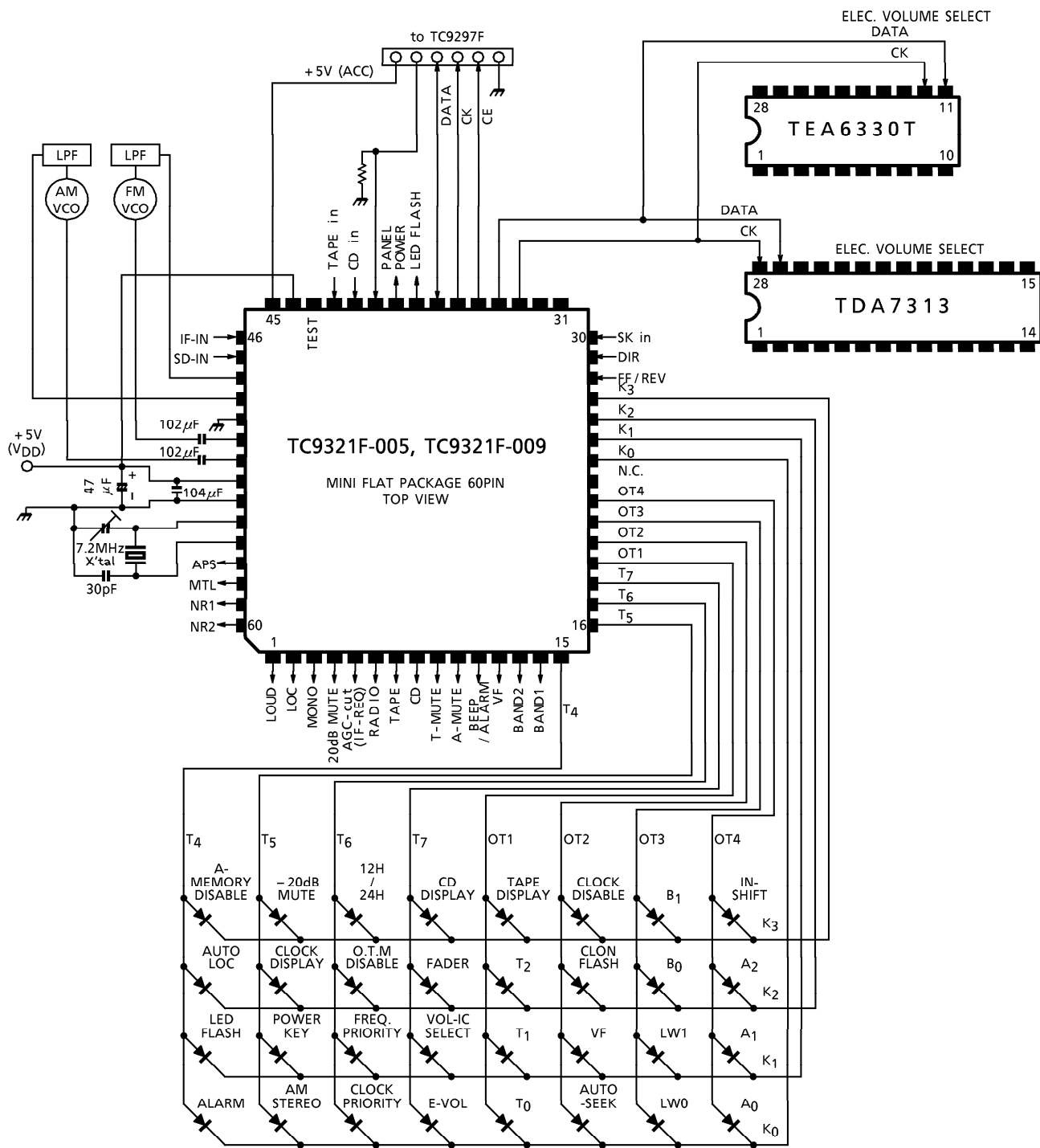
961001EBA1

- TOSHIBA is continually working to improve the quality and the reliability of its products. Nevertheless, semiconductor devices in general can malfunction or fail due to their inherent electrical sensitivity and vulnerability to physical stress. It is the responsibility of the buyer, when utilizing TOSHIBA products, to observe standards of safety, and to avoid situations in which a malfunction or failure of a TOSHIBA product could cause loss of human life, bodily injury or damage to property. In developing your designs, please ensure that TOSHIBA products are used within specified operating ranges as set forth in the most recent products specifications. Also, please keep in mind the precautions and conditions set forth in the TOSHIBA Semiconductor Reliability Handbook.
- The products described in this document are subject to foreign exchange and foreign trade control laws.
- The information contained herein is presented only as a guide for the applications of our products. No responsibility is assumed by TOSHIBA CORPORATION for any infringements of intellectual property or other rights of the third parties which may result from its use. No license is granted by implication or otherwise under any intellectual property or other rights of TOSHIBA CORPORATION or others.
- The information contained herein is subject to change without notice.



- Tuning function
 - Manual tuning (up/down)
 - Seek tuning (up/down)
 - Scan tuning (up/down)
 - Auto memory tuning
 - Preset memory scan
- Memory function
 - FM1/FM2/FM3 : max 18 stations
 - MW1/MW2 : max 12 stations
 - LW : 6 stations
 - VF : 6 stations
 - Maximum 42 stations in total.
 - Each band has a last memory.
- Radio function
 - VF band (VF auto tuning and DK stand by)
 - LOC/DX control (Auto local function select possible)
 - Stereo display and Mono/Stereo select
 - Radio monitor function
- Tape function
 - 'Tape' display
 - Metal/Normal select
 - APS on/off control
 - DNR on/off and B/C select
 - Tape running display (|> / <| and □□□□)
- Electronic volume/input select function
 - Volume/Bass/Treble/Balance/Fader
 - Loudness control
 - Radio/tape/CD input
 - Mute function
 - TEA6330T or TDA7313 selectable
- Clock function
 - 12 hour display with 'AM' and 'PM' indicator or 24 hour display
 - The colon display is possible to select flashing.
- Other function
 - CD input and 'CD' or 'DISC' display
 - Burglary prevention alarm, and LED flashing display

LAYOUT



LAYOUT

