



RF2307

GENERAL PURPOSE AMPLIFIER

Typical Applications

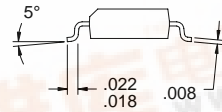
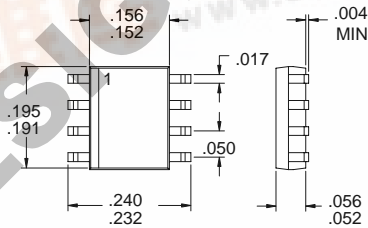
- Broadband, Low Noise Gain Blocks
- IF or RF Buffer Amplifiers
- Driver Stage for Power Amplifiers
- Final PA for Low Power Applications
- Portable Battery Powered Equipment
- Broadband Test Equipment

Product Description

The RF2307 is a general purpose, low cost RF amplifier IC. The device is manufactured on an advanced Gallium Arsenide Heterojunction Bipolar Transistor (HBT) process, and has been designed for use as an easily-cascadable 50Ω gain block. Applications include IF and RF amplification in wireless voice and data communication products operating in frequency bands up to 3000MHz. The device is self-contained with 50Ω input and output impedances and requires only two external DC biasing elements to operate as specified.

Optimum Technology Matching® Applied

- | | | |
|-------------------------------------|--|--------------------------------------|
| <input type="checkbox"/> Si BJT | <input checked="" type="checkbox"/> GaAs HBT | <input type="checkbox"/> GaAs MESFET |
| <input type="checkbox"/> Si Bi-CMOS | <input type="checkbox"/> SiGe HBT | <input type="checkbox"/> Si CMOS |

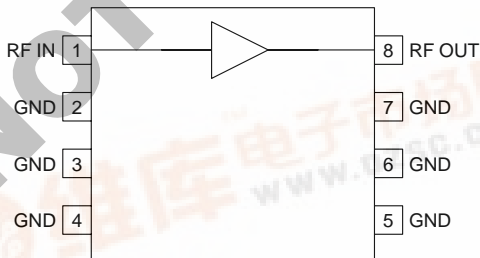


Package Style: SOP-8

4
GENERAL PURPOSE AMPLIFIERS

Features

- DC to 3000MHz Operation
- Internally matched Input and Output
- 15dB Small Signal Gain
- 4dB Noise Figure
- 25mW Linear Output Power
- Single Positive Power Supply



Functional Block Diagram

Ordering Information

- | | |
|-------------|----------------------------------|
| RF2307 | General Purpose Amplifier |
| RF2307 PCBA | Fully Assembled Evaluation Board |

RF Micro Devices, Inc.
7625 Thorndike Road
Greensboro, NC 27409, USA

Tel (336) 664 1233
Fax (336) 664 0454
<http://www.rfmd.com>



RF2307

Absolute Maximum Ratings

Parameter	Rating	Unit
Supply Current	65	mA
Input RF Power	+10	dBm
Operating Ambient Temperature	-40 to +85	°C
Storage Temperature	-40 to +150	°C



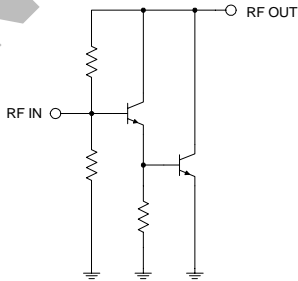
Caution! ESD sensitive device.

RF Micro Devices believes the furnished information is correct and accurate at the time of this printing. However, RF Micro Devices reserves the right to make changes to its products without notice. RF Micro Devices does not assume responsibility for the use of the described product(s).

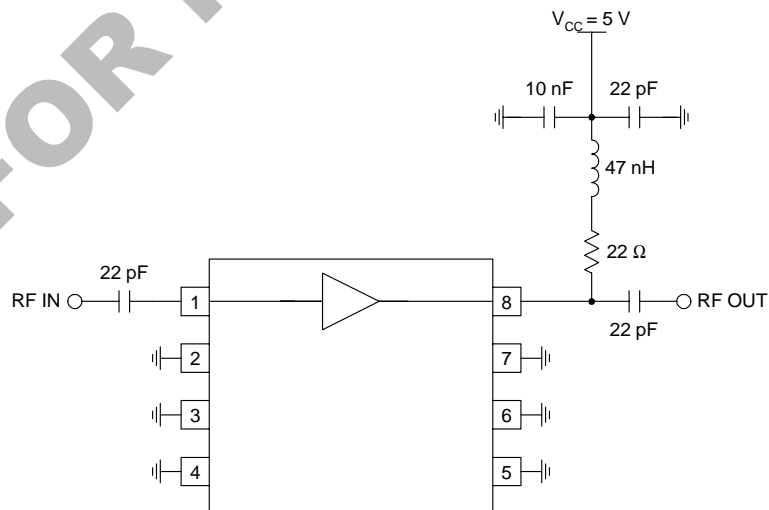
4
GENERAL PURPOSE
AMPLIFIERS

Parameter	Specification			Unit	Condition
	Min.	Typ.	Max.		
Overall					T=25 °C, V _{CC} =5.0V, R _C =22Ω, Freq=1000MHz
Frequency Range		DC to 3000		MHz	
Gain	14.2	15.2	16.2	dB	Freq=1000MHz
	14.7	15.7	16.7	dB	Freq=100MHz
Noise Figure		4		dB	
Input VSWR		<2:1			
Output VSWR		<2:1			
Output IP ₃		+24		dBm	
Output P _{1dB}	+10	+14		dBm	
Saturated Output Power		+15		dBm	
Reverse Isolation		>18		dB	
Power Supply					
Operating Voltage		3.7		V	At pin 8
Operating Current	40	50	60	mA	V _{CC} =5.0V, R _C =22Ω
Operating Current Range		20 to 65		mA	

RF2307

Pin	Function	Description	Interface Schematic
1	RF IN	RF input pin. This pin is NOT internally DC blocked. A DC blocking capacitor, suitable for the frequency of operation, should be used in most applications. DC coupling of the input is not allowed, because this will override the internal feedback loop and cause temperature instability.	
2	GND	Ground connection. Keep traces physically short and connect immediately to ground plane for best performance.	
3	GND	Same as pin 2.	
4	GND	Same as pin 2.	
5	GND	Same as pin 2.	
6	GND	Same as pin 2.	
7	GND	Same as pin 2.	
8	RF OUT	RF output and bias pin. Biasing is accomplished with an external series resistor and choke inductor to V_{CC} . The resistor is chosen to set the DC current into this pin to a desired level. At room temperature, this pin will bias itself to 3.7V as long as the current is held between 20mA and 65mA. Thus the resistor value is determined by the following equation: $R = \frac{(V_{SUPPLY} - 3.7)}{I_{CC}}$ Care should also be taken in the resistor selection to ensure that the current into the part never exceeds 65 mA over the planned operating temperature . This means that a resistor between the supply and this pin is always required, even if a supply near 3.7V is available. Because DC is present on this pin, a DC blocking capacitor, suitable for the frequency of operation, should be used in most applications. The supply side of the bias network should also be well bypassed.	

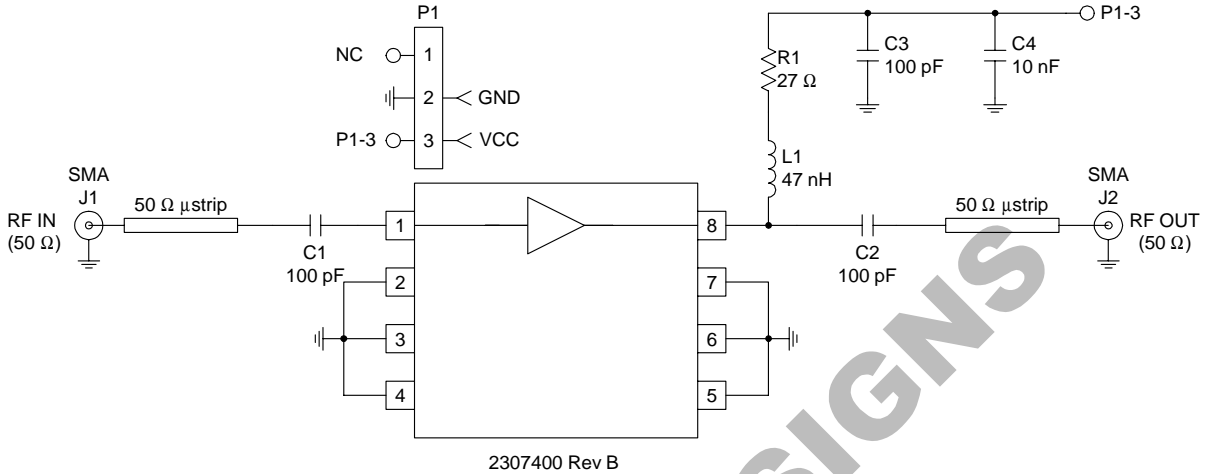
Application Schematic



RF2307

Evaluation Board Schematic

(Download [Bill of Materials](http://www.rfmd.com) from www.rfmd.com.)



Evaluation Board Layout
Uses same board as RF2306
1.27" x 1.02"

