

# DATA SHEET

**74F353**

Dual 4-input multiplexer (3-State)

Product specification

1996 Jan 05

IC15 Data Handbook



# Dual 4-input multiplexer (3-State)

# 74F353

## FEATURES

- Inverting version of 74F253
- 3-State outputs for bus interface and multiplex expansion
- Common select inputs
- Separate Output Enable Inputs

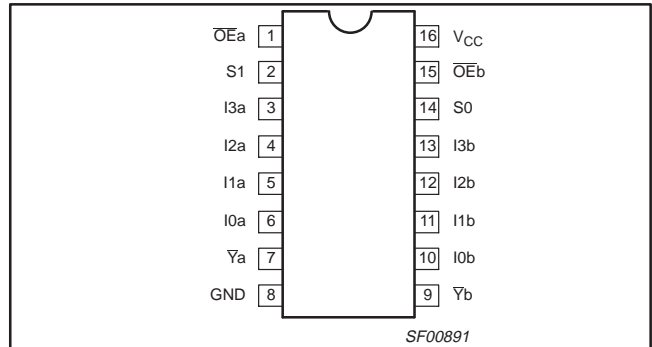
## DESCRIPTION

The 74F353 has two identical 4-input multiplexers with 3-State outputs which select two bits from four sources selected by common Select inputs (S0, S1). When the individual Output Enable ( $\overline{OEa}$ ,  $\overline{OEb}$ ) inputs of the 4-input multiplexers are High, the outputs are forced to a high impedance (Hi-Z) state.

The 74F353 is the logic implementation of a 2-pole, 4-position switch; the position of the switch being determined by the logic levels supplied to the two common Select inputs.

To avoid exceeding the maximum current ratings when the outputs of the 3-State devices are tied together, all but one device must be in the high-impedance state. Therefore, only one Output Enable must be active at a time.

## PIN CONFIGURATION



TYPE	TYPICAL PROPAGATION DELAY	TYPICAL SUPPLY CURRENT (TOTAL)
74F353	6.0ns	11mA

## ORDERING INFORMATION

DESCRIPTION	COMMERCIAL RANGE $V_{CC} = 5V \pm 10\%$ , $T_{amb} = 0^{\circ}C$ to $+70^{\circ}C$	PACKAGE DRAWING NUMBER
16-pin plastic DIP	N74F353N	SOT38-4
16-pin plastic SO	N74F353D	SOT162-1

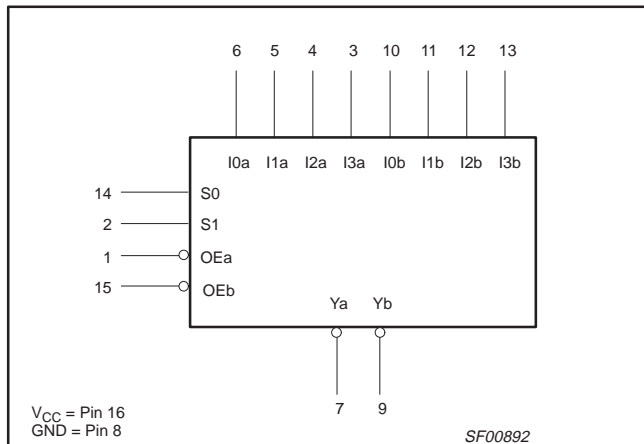
## INPUT AND OUTPUT LOADING AND FAN-OUT TABLE

PINS	DESCRIPTION	74F (U.L.) HIGH/LOW	LOAD VALUE HIGH/LOW
I0a–I3a	Port A data inputs	1.0/1.0	20 $\mu$ A/0.6mA
I0b–I3b	Port B data inputs	1.0/1.0	20 $\mu$ A/0.6mA
S0, S1	Common Select inputs	1.0/1.0	20 $\mu$ A/0.6mA
$\overline{OEa}$	Port A Output Enable input (active Low)	1.0/1.0	20 $\mu$ A/0.6mA
$\overline{OEb}$	Port B Output Enable input (active Low)	1.0/1.0	20 $\mu$ A/0.6mA
$\overline{Ya}$ , $\overline{Yb}$	3-State outputs	150/40	3mA/24mA

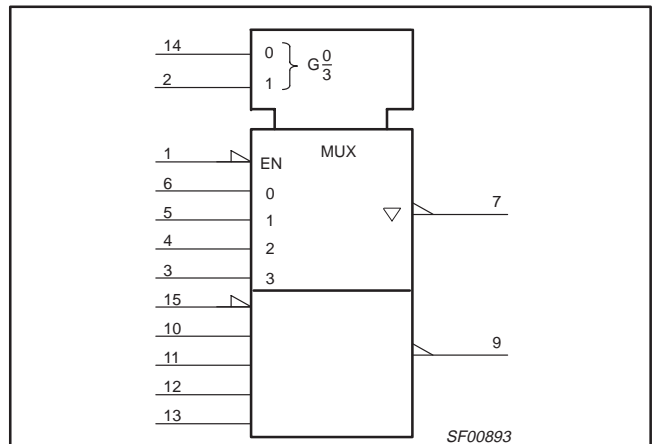
### NOTE:

One (1.0) FAST unit load is defined as: 20 $\mu$ A in the High state and 0.6mA in the Low state.

## LOGIC SYMBOL



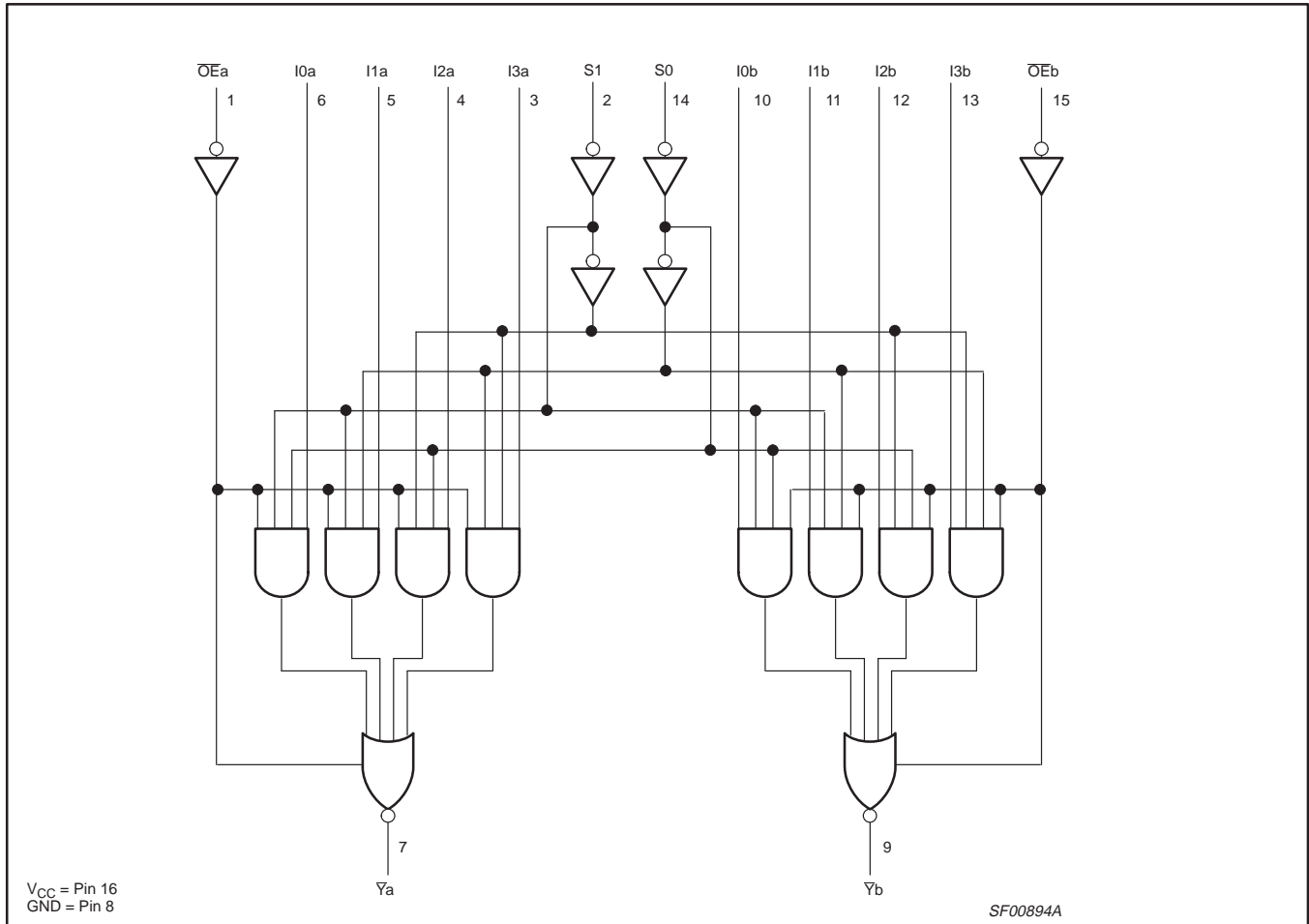
## IEC/IEEE SYMBOL



# Dual 4-input multiplexer (3-State)

74F353

## LOGIC DIAGRAM



## FUNCTION TABLE

INPUTS						OUTPUT	
S0	S1	I0	I1	I2	I3	$\overline{OE}$	Y
X	X	X	X	X	X	H	Z
L	L	L	X	X	X	L	H
L	L	H	X	X	X	L	L
H	L	X	L	X	X	L	H
H	L	X	H	X	X	L	L
L	H	X	X	L	X	L	H
L	H	X	X	H	X	L	L
H	H	X	X	X	L	L	H
H	H	X	X	X	H	L	L

### NOTES:

- H = High voltage level
- L = Low voltage level
- X = Don't care
- Z = High impedance "off" state

## Dual 4-input multiplexer (3-State)

74F353

**ABSOLUTE MAXIMUM RATINGS**

(Operation beyond the limit set forth in this table may impair the useful life of the device.  
Unless otherwise noted these limits are over the operating free-air temperature range.)

SYMBOL	PARAMETER	RATING	UNIT
$V_{CC}$	Supply voltage	-0.5 to +7.0	V
$V_{IN}$	Input voltage	-0.5 to +7.0	V
$I_{IN}$	Input current	-30 to +5	mA
$V_{OUT}$	Voltage applied to output in High output state	-0.5 to $V_{CC}$	V
$I_{OUT}$	Current applied to output in Low output state	48	mA
$T_{amb}$	Operating free-air temperature range	0 to +70	°C
$T_{stg}$	Storage temperature	-65 to +150	°C

**RECOMMENDED OPERATING CONDITIONS**

SYMBOL	PARAMETER	LIMITS			UNIT
		MIN	NOM	MAX	
$V_{CC}$	Supply voltage	4.5	5.0	5.5	V
$V_{IH}$	High-level input voltage	2.0			V
$V_{IL}$	Low-level input voltage			0.8	V
$I_{IK}$	Input clamp current			-18	mA
$I_{OH}$	High-level output current			-3	mA
$I_{OL}$	Low-level output current			24	mA
$T_{amb}$	Operating free-air temperature range	0		70	°C

**DC ELECTRICAL CHARACTERISTICS**

(Over recommended operating free-air temperature range unless otherwise noted.)

SYMBOL	PARAMETER	TEST CONDITIONS <sup>1</sup>	LIMITS			UNIT	
			MIN	TYP <sup>2</sup>	MAX		
$V_{OH}$	High-level output voltage	$V_{CC} = \text{MIN}, V_{IL} = \text{MAX}, V_{IH} = \text{MIN}, I_{OH} = \text{MAX}$	$\pm 10\%V_{CC}$	2.4		V	
			$\pm 5\%V_{CC}$	2.7	3.3	V	
$V_{OL}$	Low-level output voltage	$V_{CC} = \text{MIN}, V_{IL} = \text{MAX}, V_{IH} = \text{MIN}, I_{OL} = \text{MAX}$	$\pm 10\%V_{CC}$		0.35	0.50	V
			$\pm 5\%V_{CC}$		0.35	0.50	V
$V_{IK}$	Input clamp voltage	$V_{CC} = \text{MIN}, I_I = I_{IK}$		-0.73	-1.2	V	
$I_I$	Input current at maximum input voltage	$V_{CC} = \text{MAX}, V_I = 7.0V$			100	$\mu\text{A}$	
$I_{IH}$	High-level input current	$V_{CC} = \text{MAX}, V_I = 2.7V$			20	$\mu\text{A}$	
$I_{IL}$	Low-level input current	$V_{CC} = \text{MAX}, V_I = 0.5V$			-0.6	mA	
$I_{OZH}$	Off-state output current High-level voltage applied	$V_{CC} = \text{MAX}, V_O = 2.7V$			50	$\mu\text{A}$	
$I_{OZL}$	Off-state output current Low-level voltage applied	$V_{CC} = \text{MAX}, V_O = 0.5V$			-50	$\mu\text{A}$	
$I_{OS}$	Short-circuit output current <sup>3</sup>	$V_{CC} = \text{MAX}$	-60		-150	mA	
$I_{CC}$	Supply current (total)	$I_{CCH}$	$V_{CC} = \text{MAX}$	$\overline{O}E_n = S_n = I_n = \text{GND}$	9	14	mA
		$I_{CCL}$		$\overline{O}E_n = S_n = \text{GND}, I_n = 4.5V$	11	20	mA
		$I_{CCZ}$		$\overline{O}E_n = 4.5V, S_n = I_n = \text{GND}$	13	23	mA

**NOTES:**

- For conditions shown as MIN or MAX, use the appropriate value specified under recommended operating conditions for the applicable type.
- All typical values are at  $V_{CC} = 5V, T_{amb} = 25^\circ\text{C}$ .
- Not more than one output should be shorted at a time. For testing  $I_{OS}$ , the use of high-speed test apparatus and/or sample-and-hold techniques are preferable in order to minimize internal heating and more accurately reflect operational values. Otherwise, prolonged shorting of a High output may raise the chip temperature well above normal and thereby cause invalid readings in other parameter tests. In any sequence of parameter tests,  $I_{OS}$  tests should be performed last.

# Dual 4-input multiplexer (3-State)

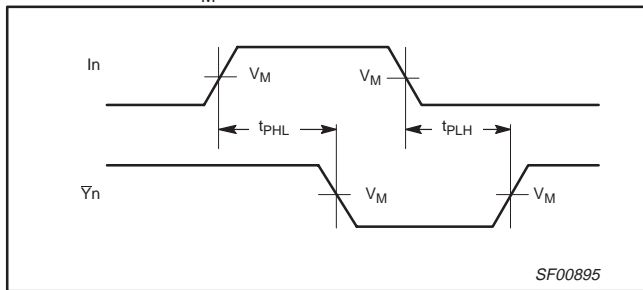
74F353

## AC ELECTRICAL CHARACTERISTICS

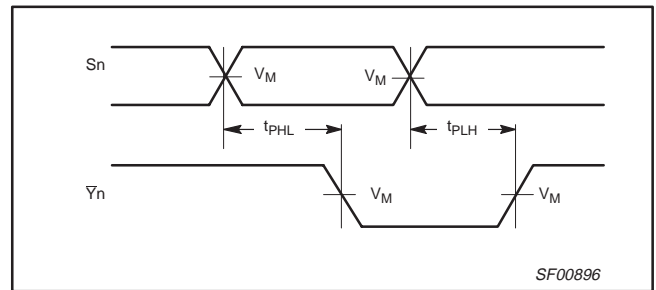
SYMBOL	PARAMETER	TEST CONDITION	LIMITS					UNIT
			V <sub>CC</sub> = 5V T <sub>amb</sub> = +25°C C <sub>L</sub> = 50pF, R <sub>L</sub> = 500Ω			V <sub>CC</sub> = 5V ± 10% T <sub>amb</sub> = 0°C to +70°C C <sub>L</sub> = 50pF, R <sub>L</sub> = 500Ω		
			MIN	TYP	MAX	MIN	MAX	
t <sub>PLH</sub> t <sub>PHL</sub>	Propagation delay In to $\bar{Y}_n$	Waveform 1	3.0 1.5	5.0 3.0	7.0 5.0	3.0 1.0	8.0 5.5	ns
t <sub>PLH</sub> t <sub>PHL</sub>	Propagation delay S <sub>n</sub> to $\bar{Y}_n$	Waveform 2	5.0 3.0	9.0 6.0	12.0 8.5	4.5 3.0	12.5 9.5	ns
t <sub>PZH</sub> t <sub>PZL</sub>	Output Enable time to High or Low level	Waveform 3 Waveform 4	4.0 4.0	6.0 6.5	8.0 8.0	3.5 3.5	9.0 9.0	ns
t <sub>PHZ</sub> t <sub>PLZ</sub>	Output Disable time from High or Low level	Waveform 3 Waveform 4	2.5 1.5	4.0 2.5	5.5 6.0	2.0 1.5	6.0 7.0	ns

## AC WAVEFORMS

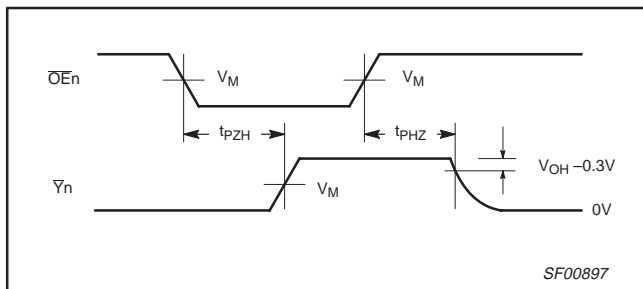
For all waveforms, V<sub>M</sub> = 1.5V



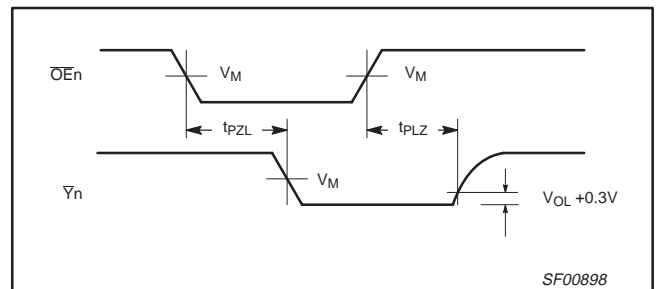
Waveform 1. Propagation Delay, Data to Output



Waveform 2. Propagation Delay, Select to Output



Waveform 3. 3-State Output Enable Time to High Level and Output Disable Time from High Level

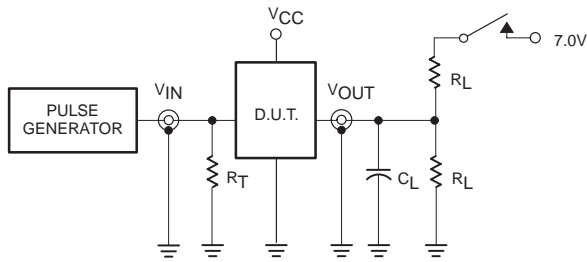


Waveform 4. 3-State Output Enable Time to Low Level and Output Disable Time from Low Level

# Dual 4-input multiplexer (3-State)

74F353

## TEST CIRCUIT AND WAVEFORMS



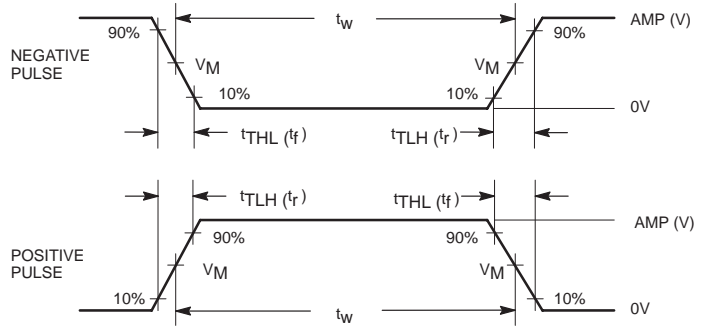
Test Circuit for 3-State Outputs

### SWITCH POSITION

TEST	SWITCH
$t_{PLZ}$	closed
$t_{PZL}$	closed
All other	open

### DEFINITIONS:

- $R_L$  = Load resistor; see AC electrical characteristics for value.
- $C_L$  = Load capacitance includes jig and probe capacitance; see AC electrical characteristics for value.
- $R_T$  = Termination resistance should be equal to  $Z_{OUT}$  of pulse generators.



Input Pulse Definition

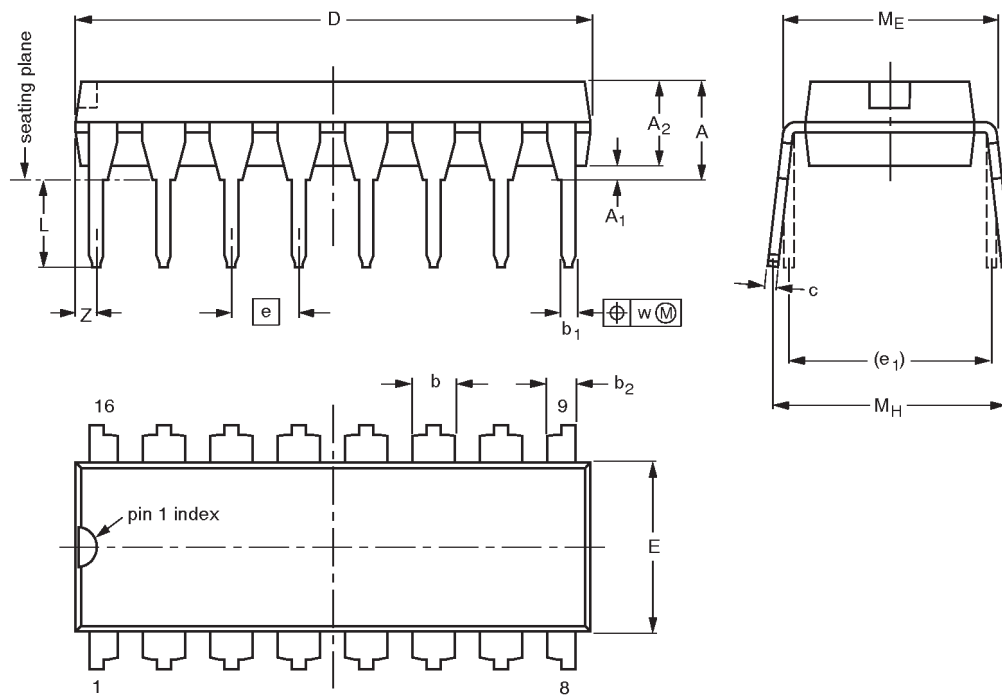
family	INPUT PULSE REQUIREMENTS					
	amplitude	$V_M$	rep. rate	$t_w$	$t_{TLH}$	$t_{THL}$
74F	3.0V	1.5V	1MHz	500ns	2.5ns	2.5ns

# Dual 4-input multiplexer (3-State)

74F353

DIP16: plastic dual in-line package; 16 leads (300 mil)

SOT38-4



**DIMENSIONS** (inch dimensions are derived from the original mm dimensions)

UNIT	A max.	A <sub>1</sub> min.	A <sub>2</sub> max.	b	b <sub>1</sub>	b <sub>2</sub>	c	D <sup>(1)</sup>	E <sup>(1)</sup>	e	e <sub>1</sub>	L	M <sub>E</sub>	M <sub>H</sub>	w	Z <sup>(1)</sup> max.
mm	4.2	0.51	3.2	1.73 1.30	0.53 0.38	1.25 0.85	0.36 0.23	19.50 18.55	6.48 6.20	2.54	7.62	3.60 3.05	8.25 7.80	10.0 8.3	0.254	0.76
inches	0.17	0.020	0.13	0.068 0.051	0.021 0.015	0.049 0.033	0.014 0.009	0.77 0.73	0.26 0.24	0.10	0.30	0.14 0.12	0.32 0.31	0.39 0.33	0.01	0.030

**Note**

1. Plastic or metal protrusions of 0.25 mm maximum per side are not included.

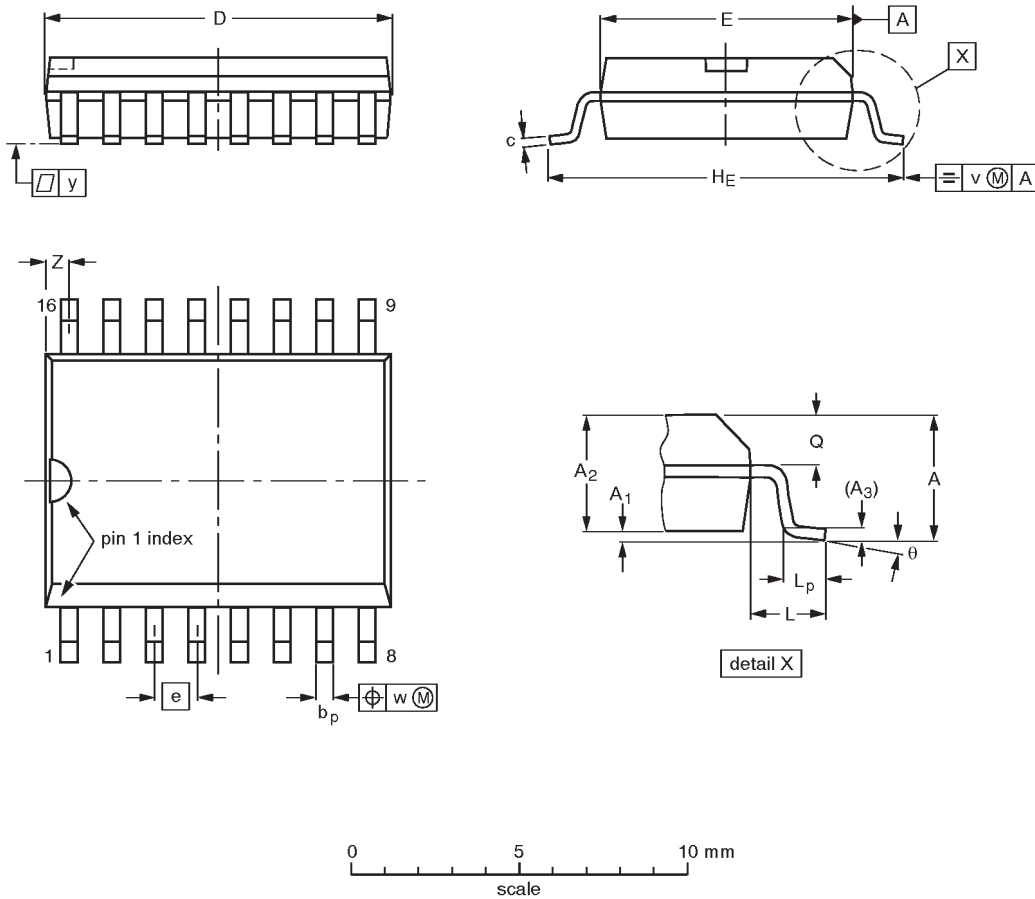
OUTLINE VERSION	REFERENCES				EUROPEAN PROJECTION	ISSUE DATE
	IEC	JEDEC	EIAJ			
SOT38-4						92-11-17 95-01-14

# Dual 4-input multiplexer (3-State)

74F353

SO16: plastic small outline package; 16 leads; body width 7.5 mm

SOT162-1



**DIMENSIONS** (inch dimensions are derived from the original mm dimensions)

UNIT	A max.	A <sub>1</sub>	A <sub>2</sub>	A <sub>3</sub>	b <sub>p</sub>	c	D <sup>(1)</sup>	E <sup>(1)</sup>	e	H <sub>E</sub>	L	L <sub>p</sub>	Q	v	w	y	Z <sup>(1)</sup>	θ
mm	2.65	0.30 0.10	2.45 2.25	0.25	0.49 0.36	0.32 0.23	10.5 10.1	7.6 7.4	1.27	10.65 10.00	1.4	1.1 0.4	1.1 1.0	0.25	0.25	0.1	0.9 0.4	8° 0°
inches	0.10	0.012 0.004	0.096 0.089	0.01	0.019 0.014	0.013 0.009	0.41 0.40	0.30 0.29	0.050	0.42 0.39	0.055	0.043 0.016	0.043 0.039	0.01	0.01	0.004	0.035 0.016	

**Note**

1. Plastic or metal protrusions of 0.15 mm maximum per side are not included.

OUTLINE VERSION	REFERENCES				EUROPEAN PROJECTION	ISSUE DATE
	IEC	JEDEC	EIAJ			
SOT162-1	075E03	MS-013AA				-92-11-17 95-01-24



Dual 4-input multiplexer (3-State)

74F353

---

**NOTES**

## Dual 4-input multiplexer (3-State)

74F353

## Data sheet status

Data sheet status	Product status	Definition <sup>[1]</sup>
Objective specification	Development	This data sheet contains the design target or goal specifications for product development. Specification may change in any manner without notice.
Preliminary specification	Qualification	This data sheet contains preliminary data, and supplementary data will be published at a later date. Philips Semiconductors reserves the right to make changes at any time without notice in order to improve design and supply the best possible product.
Product specification	Production	This data sheet contains final specifications. Philips Semiconductors reserves the right to make changes at any time without notice in order to improve design and supply the best possible product.

[1] Please consult the most recently issued datasheet before initiating or completing a design.

## Definitions

**Short-form specification** — The data in a short-form specification is extracted from a full data sheet with the same type number and title. For detailed information see the relevant data sheet or data handbook.

**Limiting values definition** — Limiting values given are in accordance with the Absolute Maximum Rating System (IEC 134). Stress above one or more of the limiting values may cause permanent damage to the device. These are stress ratings only and operation of the device at these or at any other conditions above those given in the Characteristics sections of the specification is not implied. Exposure to limiting values for extended periods may affect device reliability.

**Application information** — Applications that are described herein for any of these products are for illustrative purposes only. Philips Semiconductors make no representation or warranty that such applications will be suitable for the specified use without further testing or modification.

## Disclaimers

**Life support** — These products are not designed for use in life support appliances, devices or systems where malfunction of these products can reasonably be expected to result in personal injury. Philips Semiconductors customers using or selling these products for use in such applications do so at their own risk and agree to fully indemnify Philips Semiconductors for any damages resulting from such application.

**Right to make changes** — Philips Semiconductors reserves the right to make changes, without notice, in the products, including circuits, standard cells, and/or software, described or contained herein in order to improve design and/or performance. Philips Semiconductors assumes no responsibility or liability for the use of any of these products, conveys no license or title under any patent, copyright, or mask work right to these products, and makes no representations or warranties that these products are free from patent, copyright, or mask work right infringement, unless otherwise specified.

Philips Semiconductors  
811 East Arques Avenue  
P.O. Box 3409  
Sunnyvale, California 94088-3409  
Telephone 800-234-7381

© Copyright Philips Electronics North America Corporation 1998  
All rights reserved. Printed in U.S.A.

Date of release: 03-98

Document order number:

9397 750 03684

*Let's make things better.*