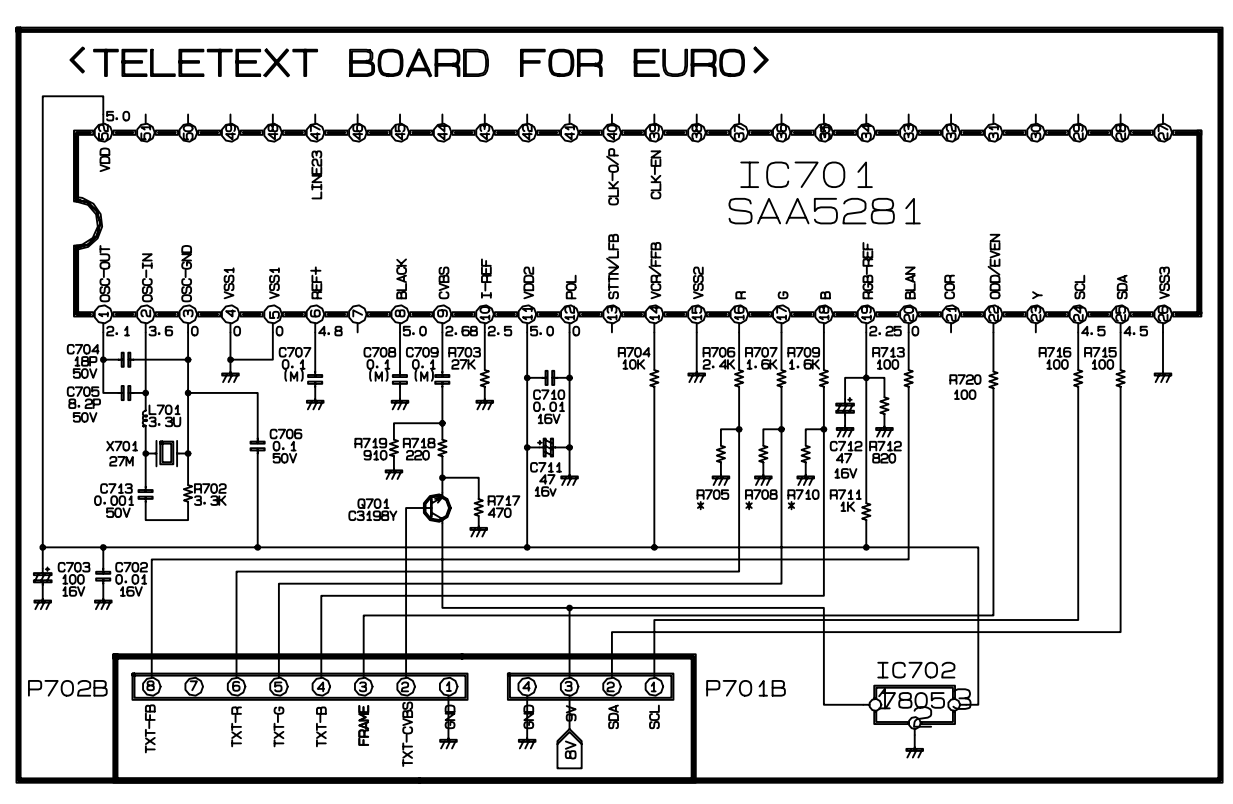
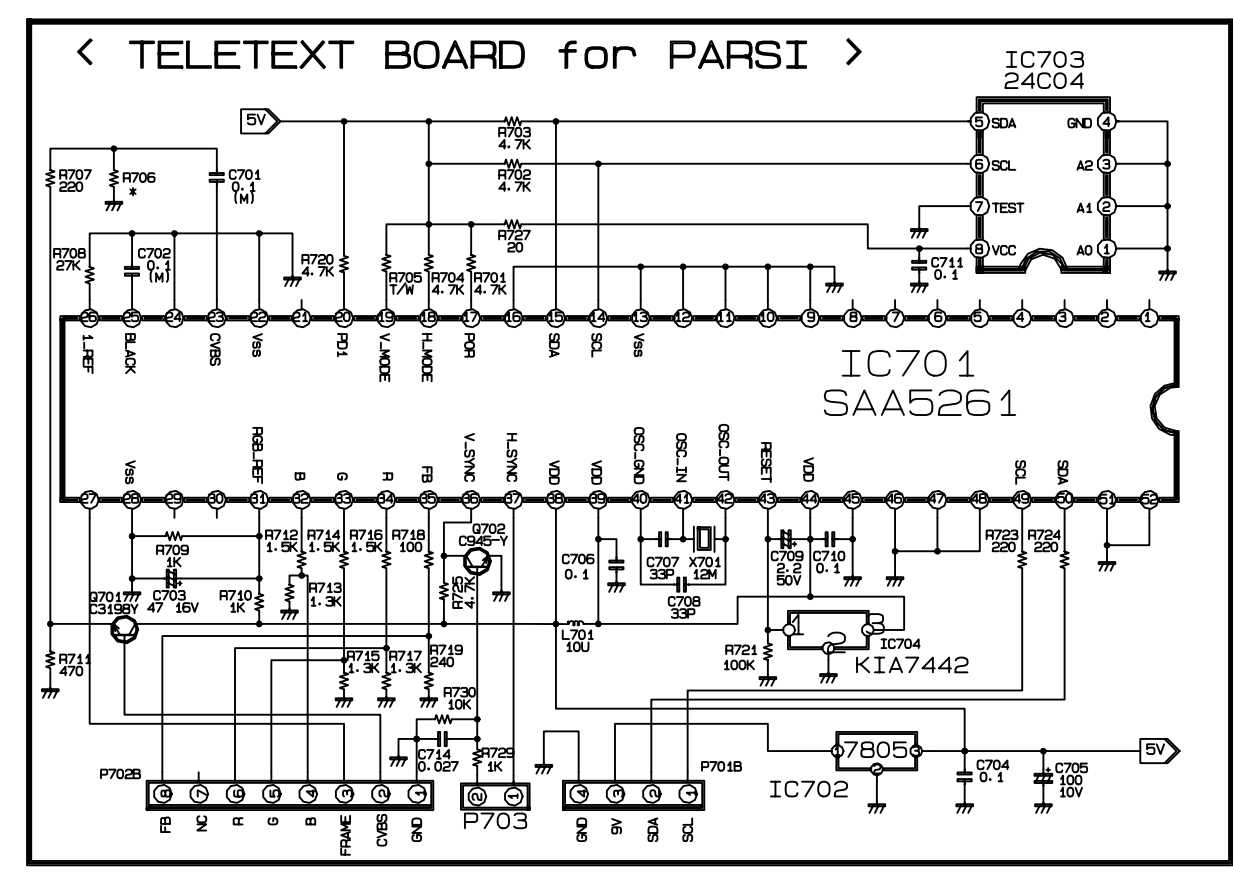
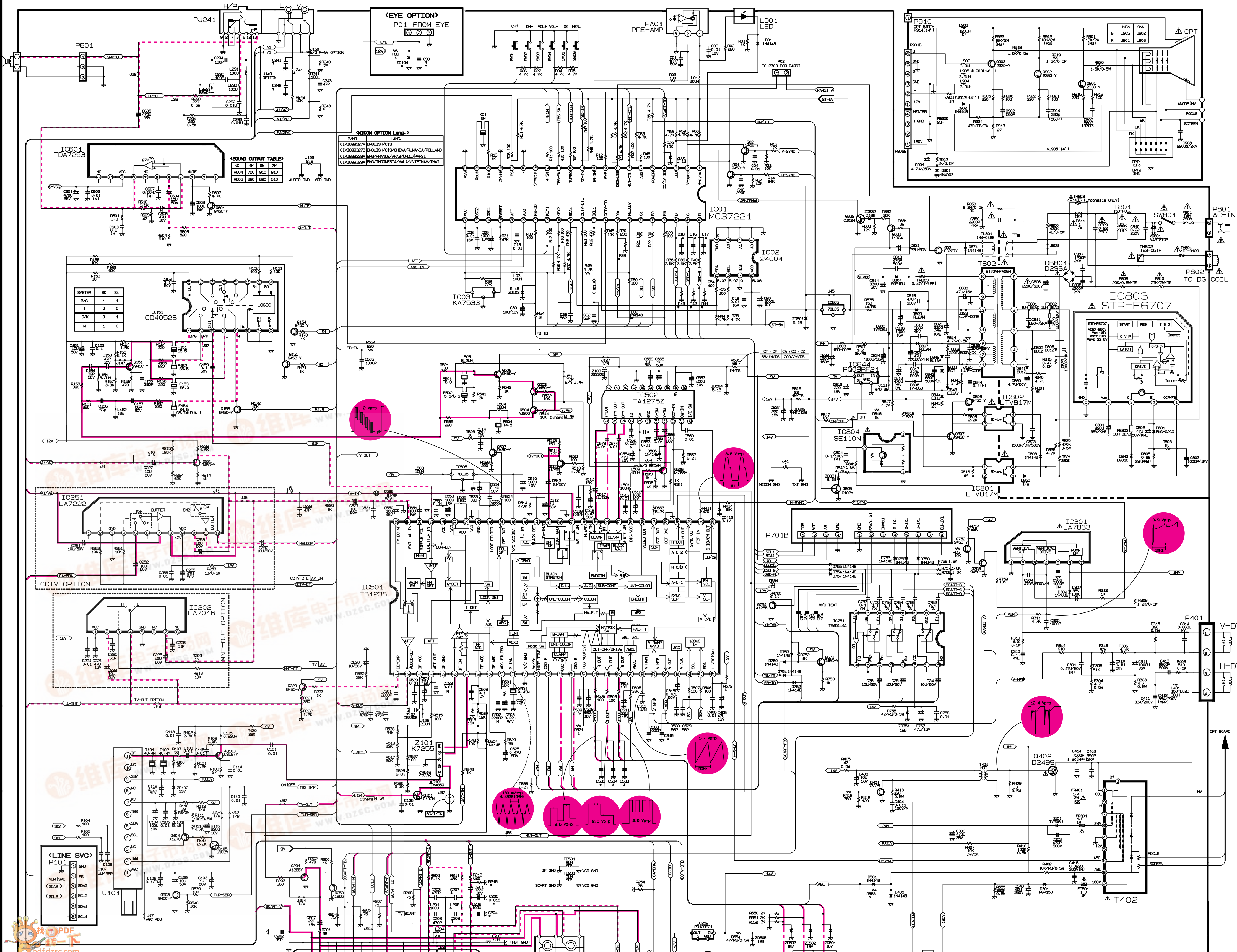


CHASSIS SPEC
 FULL MULTI SYSTEM
 STAND-BY 3M
 FILTER BOOSTER
 HDTV
 MEMO REG.
 MEMO/PARSI TXT
 FILTER 300V

MC994A CIRCUIT DIAGRAM

'99 SUPER-A PLATINUM PRODUCT DEVELOPMENT TEAM
 PCB SIZE: 319*245
 1999.06.26

捷邦邦, 专业PCB打样工厂, 24小时加急出货
P/No : 3854VA0057A-S(1/2)
Date : 1999.6.28



★ TABLE OF INCH CONVERSION

CIRCUIT NO.	21"	20"	14"	ROWK
IC004	SE115	SE110N	SE110N	
TR001	163-018C	163-018C	163-054F	
C412	3641 181-01301	3341 181-01301	181-0130C	
C414	7321 181-01301	7321 181-01301	181-0130F	
C004	330P(N)	330P(N)	470P(N)	
C002	500P(N)	500P(N)	330P(N)	
C007	500P(N)	500P(N)	270P(N)	
R000/R015	330R/1.5W	330R/1.5W	390R/1.5W	
R004	RV/270.2W	RV/270.2W	RV/470.2W	
R013	RV/39	RV/39	RV/33	
R003/R004	RV/3.9/0.5W	RV/4.7/0.5W	RV/5.6/0.5W	
R405	RV/47/0.5W	RV/47/0.5W	RV/82/0.5W	
FR401	1.41180-003H1	1.41180-003H2	41180-003H	
C402	181-091V	181-091V	181-091V	
RA10	RV/100/0.5W	RV/100/0.5W	RV/130/0.5W	
R009	1.2K/1/0.5W	5.1K/1/0.5W	5.1K/1/0.5W	
RA07	12K/1/0.5W	12K/1/0.5W	12K/1/0.5W	
R011	4.7K	1.5K	1.5K	

— Video
 - - - Audio
 --- Y
 --- C