

## FAN CONTROLLER

### DESCRIPTION

PT2125 is a fan controller that has all of PT2124's functions plus two toggle output for swing head control, rhythm wind and buzzer functions.

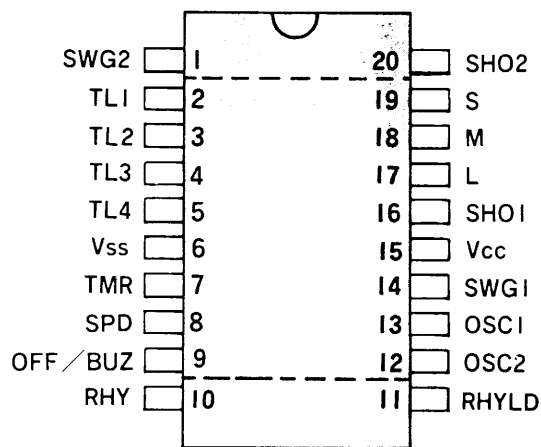
### FEATURES

- CMOS Technology
- 4-step timer scale, 3-state wind speed
- 2-second middle wind start up
- 2 sets toggle input and output
- Buzzer function
- Auto countdown timer control with LED display
- Two base frequency input: 32768Hz or 50/60Hz

### APPLICATIONS

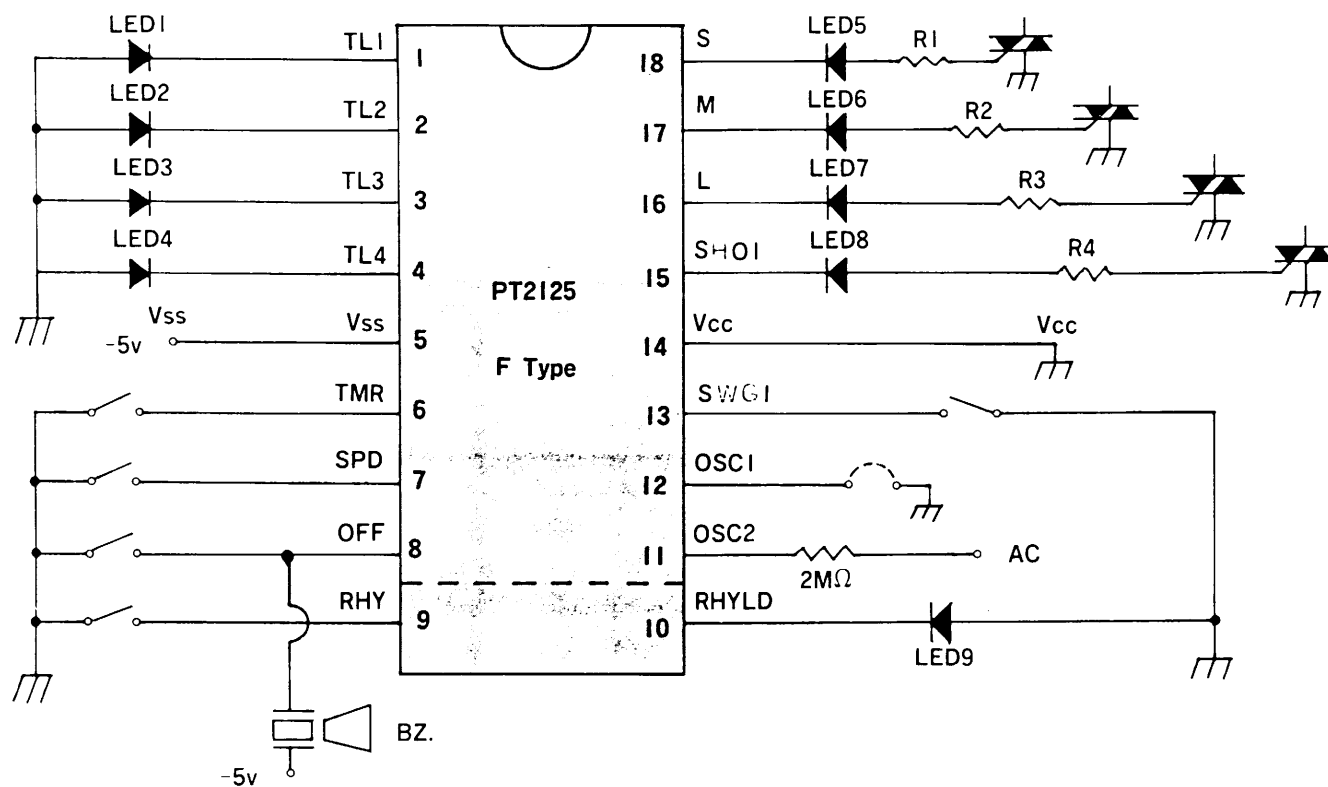
Fan, Heater Fan, Timer

### PIN CONFIGURATION



20pin DIP Type

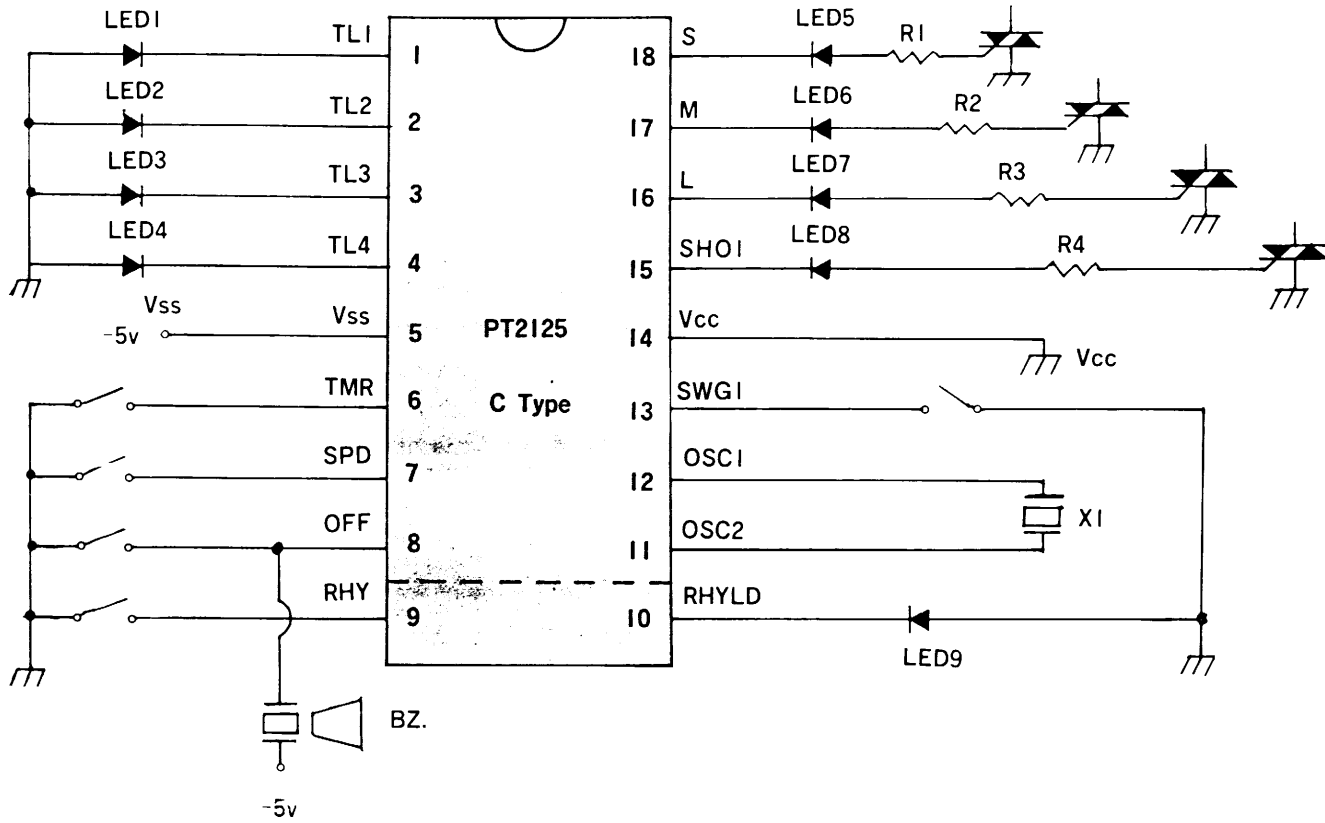
APPLICATION CIRCUIT



PARTS LIST

PARTS	VALUE
LED1-LED9	LED
R1-R4	300Ω / 0.25W
X1	32768Hz
BZ	4.1KHz

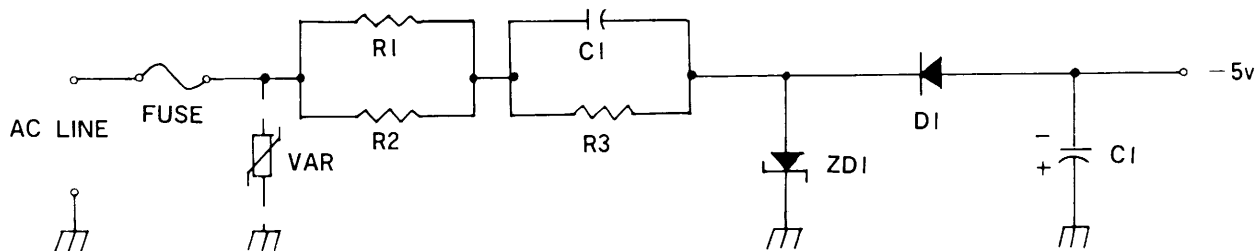
APPLICATION CIRCUIT



PARTS LIST

PARTS	VALUE
LED1-LED9	LED
R1-R4	300Ω / 0.25W
X1	32768Hz
BZ	4.1KHz

POWER SUPPLY APPLICATION CIRCUIT



AC LINE							
110V 50/60Hz				220V 50/60Hz			
PARTS	VALUE	UNIT	TOLERANCE	VALUE	UNIT	TOLERANCE	REMARKS
VAR	220	V		450	V		OPTIONAL*
ZD1	5.6/0.5W	V		5.6/1W	V		
R1	100/0.5W	OHM	± 10%	47/1W	OHM	± 10%	
R2	100/0.5W	OHM	± 10%	47/1W	OHM	± 10%	
R3	100K/1W	OHM	± 10%	100K/1W	OHM	± 10%	
D1	1N4006			1N4006			
C1	470/16V	μ F	± 20%	470/16V	μ F	± 20%	
C2	1.5/250V	μ F	± 20%	1.0/400V	μ F	± 20%	
FUSE	1	A		1	A		OPTIONAL*

\*Note: Safer for connection.

ORDERING INFORMATION

PART NO.	PACKAGE
PT2125-C4N-RNM1	18pin DIP
PT2125-F4N-RNM2	20pin DIP
PT2125-C8N-RNM1	18pin DIP
PT2125-F8N-RNM2	20pin DIP
PT2125-C8N-NNM1	16pin DIP

Note : Typical function & package type

PT-2125-X XN-XNX X-X

