

## FCX705

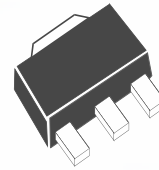
### 120V NPN SILICON HIGH VOLTAGE DARLINGTON TRANSISTOR

#### SUMMARY

$V_{CE0}=120V$ ;  $V_{CE(sat)}= 1.3V$ ;  $I_C= 1A$

#### DESCRIPTION

This new NPN Darlington transistor provides users with very efficient performance combining low  $V_{CE(sat)}$  and very high  $H_{fe}$  to give extremely low on state losses at 120V operation. This makes it ideal for use in a variety of efficient driving functions including motors, lamps relays and solenoids and will also benefit circuits requiring high output current switching.



SOT 89

#### FEATURES

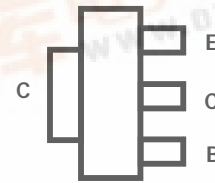
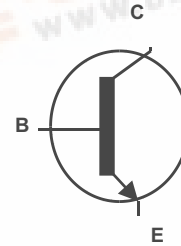
- Low Saturation Voltage
- $H_{fe}$  min 3K @ 1A
- $I_C = -2A$  Continuous
- SOT89 package with  $P_{tot} - 1W$
- Specification is also available in Eline and SOT223 package outlines

#### APPLICATIONS

- Various driving functions
  - Lamps
  - Motors
  - Relays and solenoids
- High output current switches

#### ORDERING INFORMATION

DEVICE	REEL SIZE (inches)	TAPE WIDTH (mm)	QUANTITY PER REEL
FCX705TA	7	12mm embossed	1000 units



Top View

#### DEVICE MARKING

705

# FCX705

## ABSOLUTE MAXIMUM RATINGS.

PARAMETER	SYMBOL	LIMIT NPN	UNIT
Collector-Base Voltage	$V_{CBO}$	-140	V
Collector-Emitter Voltage	$V_{CEO}$	-120	V
Emitter-Base Voltage	$V_{EBO}$	-10	V
Peak Pulse Current	$I_{CM}$	-4	A
Continuous Collector Current	$I_C$	-1	A
Power Dissipation at TA=25°C (a) Linear Derating Factor	$P_D$	1 8	W mW/°C
Power Dissipation at TA=25°C (b) Linear Derating Factor	$P_D$	2.8 22	W mW/°C
Operating and Storage Temperature Range	$T_J; T_{stg}$	-55 to +150	°C

## THERMAL RESISTANCE

PARAMETER	SYMBOL	VALUE	UNIT
Junction to Ambient (a)	$R_{\theta JA}$	125	°C/W
Junction to Ambient (b)	$R_{\theta JA}$	45	°C/W

### NOTES

(a) For a device surface mounted on 25mm x 25mm FR4 PCB with high coverage of single sided 1oz copper, in still air conditions

(b) For a device surface mounted on FR4 PCB measured at  $t \leq 5$  secs.

## FCX705

### ELECTRICAL CHARACTERISTICS (at $T_{amb} = 25^{\circ}\text{C}$ unless otherwise stated).

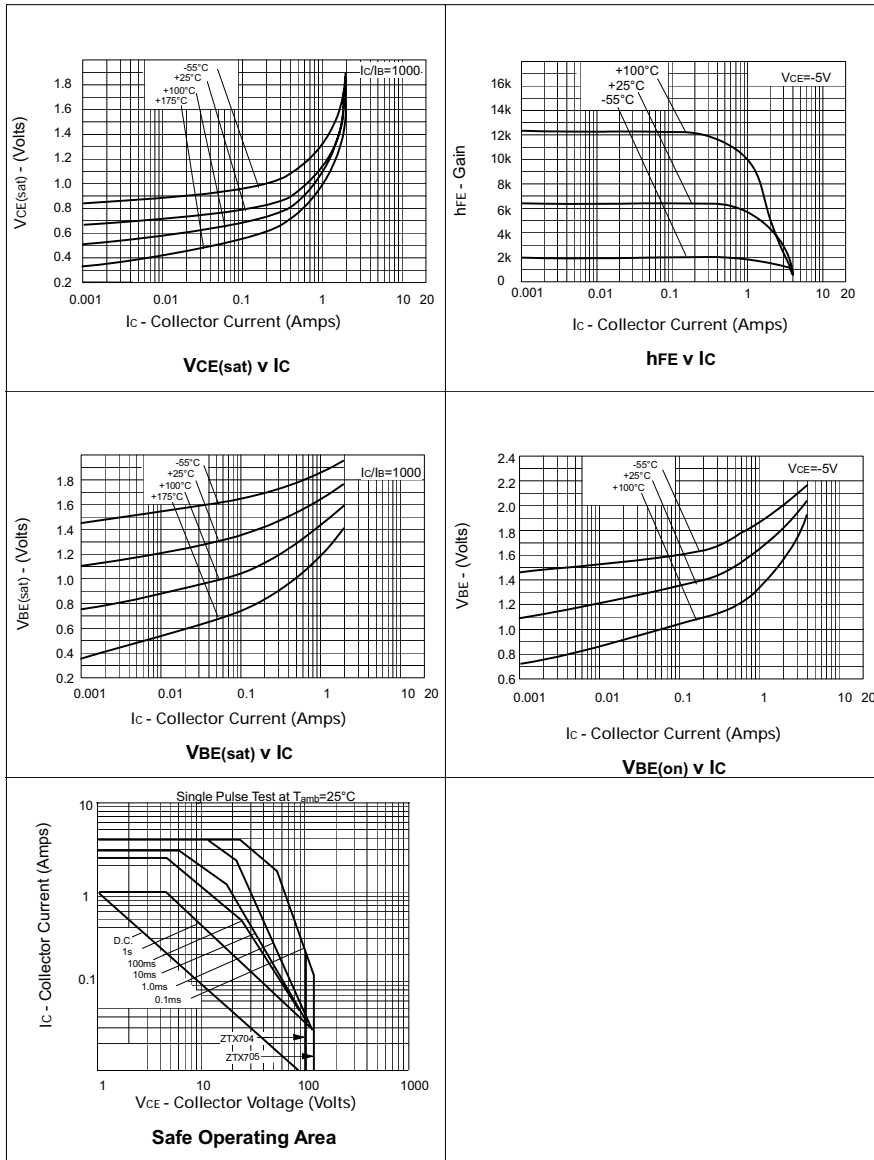
PARAMETER	SYMBOL	MIN.	TYP.	MAX.	UNIT	CONDITIONS.
Collector-Base Breakdown Voltage	$V_{(BR)CBO}$	-140			V	$I_C = -100\mu\text{A}$
Collector-Emitter Breakdown Voltage	$V_{(BR)CEO}$	-120			V	$I_C = -10\text{mA}^*$
Emitter-Base Breakdown Voltage	$V_{(BR)EBO}$	-10			V	$I_E = -100\mu\text{A}$
Collector Cut-Off Current	$I_{CBO}$			-100 -10	nA $\mu\text{A}$	$V_{CB} = -10\text{V}$ $V_{CB} = -120\text{V}$ $T_{amb} = 100^{\circ}\text{C}$
Emitter Cut-Off Current	$I_{EBO}$			-0.1	$\mu\text{A}$	$V_{EB} = -8\text{V}$
Collector Emitter Cut-Off Current	$I_{CES}$			-10	$\mu\text{A}$	$V_{CES} = -120\text{V}$
Collector-Emitter Saturation Voltage	$V_{CE(sat)}$			-1.3 -2.5	V V	$I_C = -1\text{A}, I_B = -1\text{mA}^*$ $I_C = -2\text{A}, I_B = -2\text{mA}^*$
Base-Emitter Saturation Voltage	$V_{BE(sat)}$			-1.8	V	$I_C = -1\text{A}, I_B = -1\text{mA}^*$
Base-Emitter Turn-On Voltage	$V_{BE(on)}$			-1.7	V	$I_C = -1\text{A}, V_{CE} = -5\text{V}^*$
Static Forward Current Transfer Ratio	$h_{FE}$	3K 3K 3K 2K		30K		$I_C = -50\text{mA}, V_{CE} = -5\text{V}^*$ $I_C = -500\text{mA}, V_{CE} = -5\text{V}^*$ $I_C = -1\text{A}, V_{CE} = -5\text{V}^*$ $I_C = -2\text{A}, V_{CE} = -5\text{V}^*$
Transition Frequency	$f_T$	160			MHz	$I_C = -100\text{mA}, V_{CE} = -10\text{V}$ $f = 20\text{MHz}$
Input Capacitance	$C_{ibo}$		90		pF	$V_{CB} = -500\text{mV}, f = 1\text{MHz}$
Output Capacitance	$C_{obo}$		15		pF	$V_{CB} = -10\text{V}, f = 1\text{MHz}$
Turn-On Time	$t_{(on)}$		0.6		$\mu\text{s}$	$I_C = -500\text{mA}, V_{CE} = -10\text{V}$ $I_{B1} = I_{B2} = -0.5\text{mA}$
Turn-Off Time	$t_{(off)}$		0.8		$\mu\text{s}$	$I_C = -500\text{mA}, V_{CE} = -10\text{V}$ $I_{B1} = I_{B2} = -0.5\text{mA}$

\*Measured under pulsed conditions. Pulse width=300 $\mu\text{s}$ . Duty cycle  $\leq 2\%$

Nb. Spice parameter data is available upon request for this device.

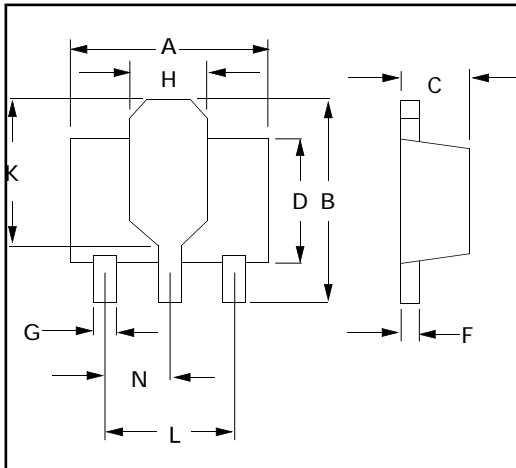
# FCX705

## NPN TYPICAL CHARACTERISTICS



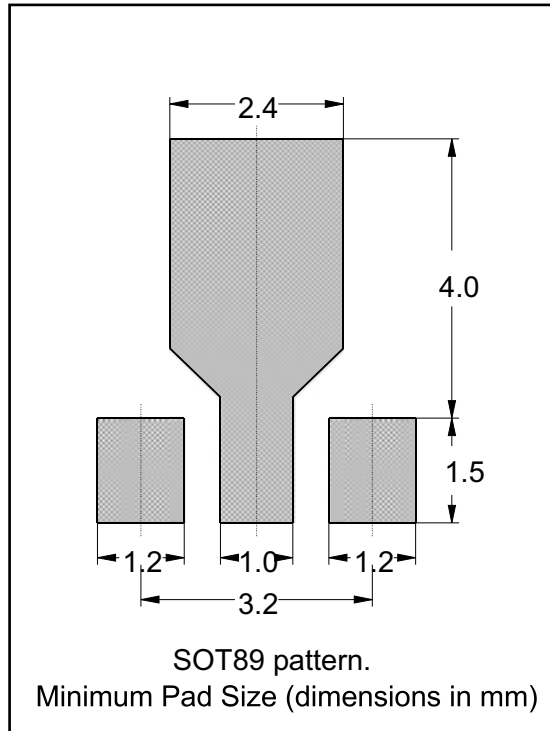
# FCX705

## PACKAGE DIMENSIONS



DIM	Millimetres		Inches	
	Min	Max	Min	Max
A	4.40	4.60	0.173	0.181
B	3.75	4.25	.150	0.167
C	1.40	1.60	0.550	0.630
D	-	2.60	-	0.102
F	0.28	0.45	0.011	0.018
G	0.38	0.55	0.015	0.022
H	1.50	1.80	0.060	0.072
K	2.60	2.85	0.102	0.112
L	2.90	3.10	0.114	0.112
N	1.4	1.60	0.055	0.063

## PAD LAYOUT DETAILS



Zetex plc.  
Fields New Road, Chadderton, Oldham, OL9-8NP, United Kingdom.  
Telephone: (44)161 622 4422 (Sales), (44)161 622 4444 (General Enquiries)  
Fax: (44)161 622 4420

Zetex GmbH  
Streitfeldstraße 19  
D-81673 München  
Germany  
Telephone: (49) 89 45 49 49 0  
Fax: (49) 89 45 49 49 49

Zetex Inc.  
Suite 315  
700 Veterans Memorial Highway  
Hauppauge NY 11788  
USA  
Telephone: (631) 543-7100  
Fax: (631) 864-7630

Zetex (Asia) Ltd.  
3701-04 Metroplaza, Tower 1  
Hing Fong Road,  
Kwai Fong  
Hong Kong  
Telephone: (852) 26100 611  
Fax: (852) 24250 494

These are supported by  
agents and distributors in  
major countries world-wide  
© Zetex plc 2001

[www.zetex.com](http://www.zetex.com)

This publication is issued to provide outline information only which (unless agreed by the Company in writing) may not be used, applied or reproduced for any purpose or form part of any order or contract or be regarded as a representation relating to the products or services concerned. The Company reserves the right to alter without notice the specification, design, price or conditions of supply of any product or service.

